



US00D858437S

(12) **United States Design Patent**
Lu et al.

(10) **Patent No.:** **US D858,437 S**
(45) **Date of Patent:** **** Sep. 3, 2019**

(54) **MULTI-FUNCTION CHARGING STAND**

(71) Applicants: **Wenming Lu**, Shenzhen (CN); **Shulei Jiang**, Shenzhen (CN)

(72) Inventors: **Wenming Lu**, Shenzhen (CN); **Shulei Jiang**, Shenzhen (CN)

(**) Term: **15 Years**

(21) Appl. No.: **29/618,013**

(22) Filed: **Sep. 18, 2017**

(51) **LOC (12) Cl.** **13-02**

(52) **U.S. Cl.**
USPC **D13/108**

(58) **Field of Classification Search**
USPC D13/107-110, 118-119, 184; D14/251, D14/253, 432, 434

CPC Y02E 60/12; Y02T 90/14; Y02T 90/122; Y02T 90/128; Y02T 90/163; H02J 7/025; H02J 7/0042; H02J 7/0044; H02J 7/0045; H02J 7/0003; H01F 38/14; H01R 13/6675; H01M 2/1022; H01M 2/1055; H01M 10/44; H01M 10/46; H01M 10/425; B60L 11/182

See application file for complete search history.

(56) **References Cited**

U.S. PATENT DOCUMENTS

D610,084 S * 2/2010 Christopher D13/107
D713,399 S * 9/2014 Green D14/253

D762,650 S * 8/2016 Dang D14/434
D772,216 S * 11/2016 Lau D13/108
D776,053 S * 1/2017 Barnard D13/108
D789,885 S * 6/2017 Yue D13/107
D799,463 S * 10/2017 Deng D14/252
D799,464 S * 10/2017 Zaihui D14/252
D804,488 S * 12/2017 Burns D14/447
D813,805 S * 3/2018 Zhong D13/108
D814,413 S * 4/2018 Zhong D13/108
D826,851 S * 8/2018 Wang D13/108
D827,568 S * 9/2018 Turksu D13/108

* cited by examiner

Primary Examiner — Rosemary K Tarca
Assistant Examiner — Nathaniel D. Buckner

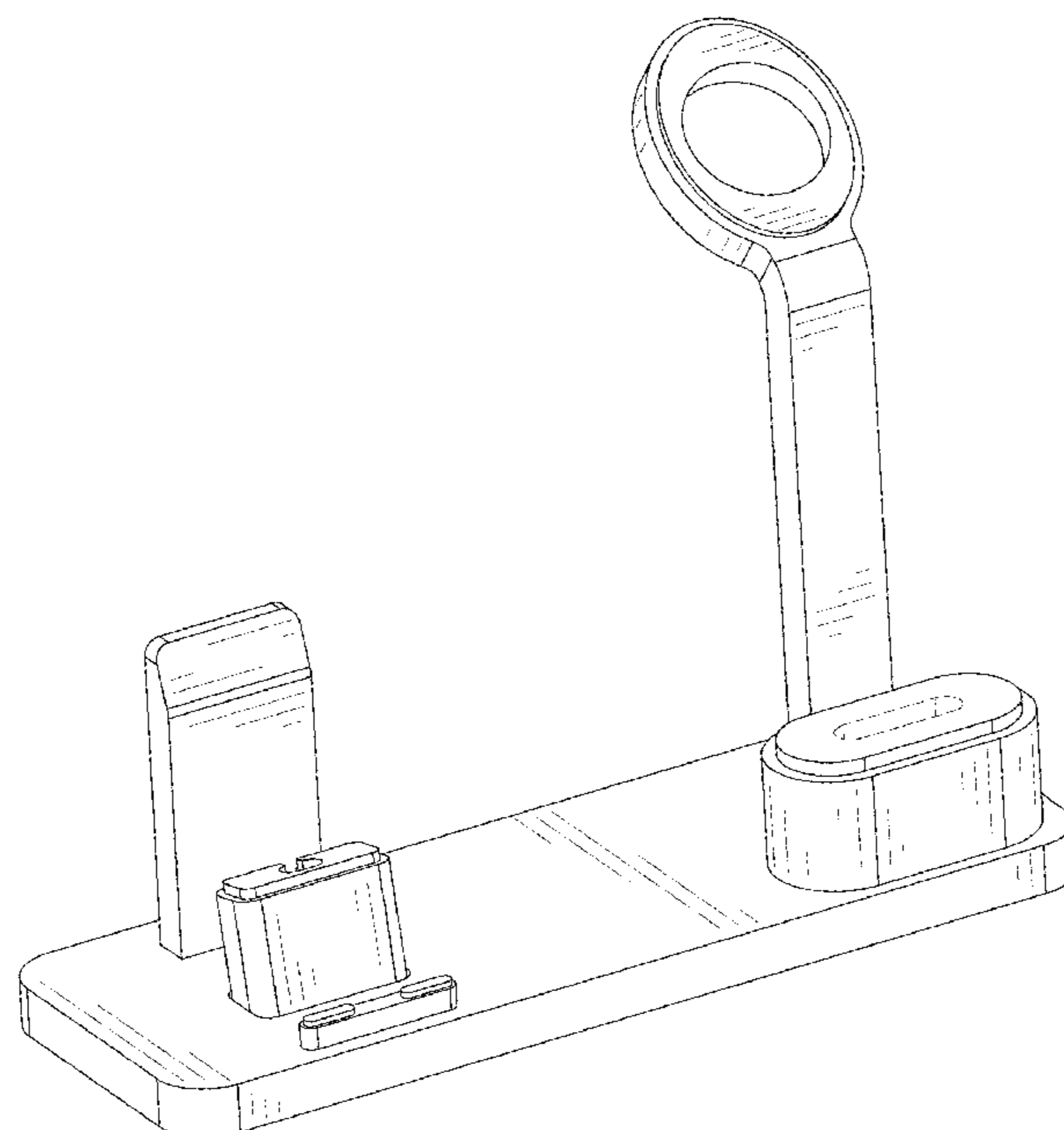
(57) **CLAIM**

The ornamental design for a multi-function charging stand, as shown and described.

DESCRIPTION

FIG. 1 is a front elevation view of a multi-function charging stand showing my new design;
FIG. 2 is a rear elevation view thereof;
FIG. 3 is a left side elevation view thereof;
FIG. 4 is a right side elevation view thereof;
FIG. 5 is a top plan view thereof;
FIG. 6 is a bottom plan view thereof; and,
FIG. 7 is a top rear perspective view thereof.
The broken lines in the figures depict portions of the article which form no part of the claimed design.

1 Claim, 7 Drawing Sheets



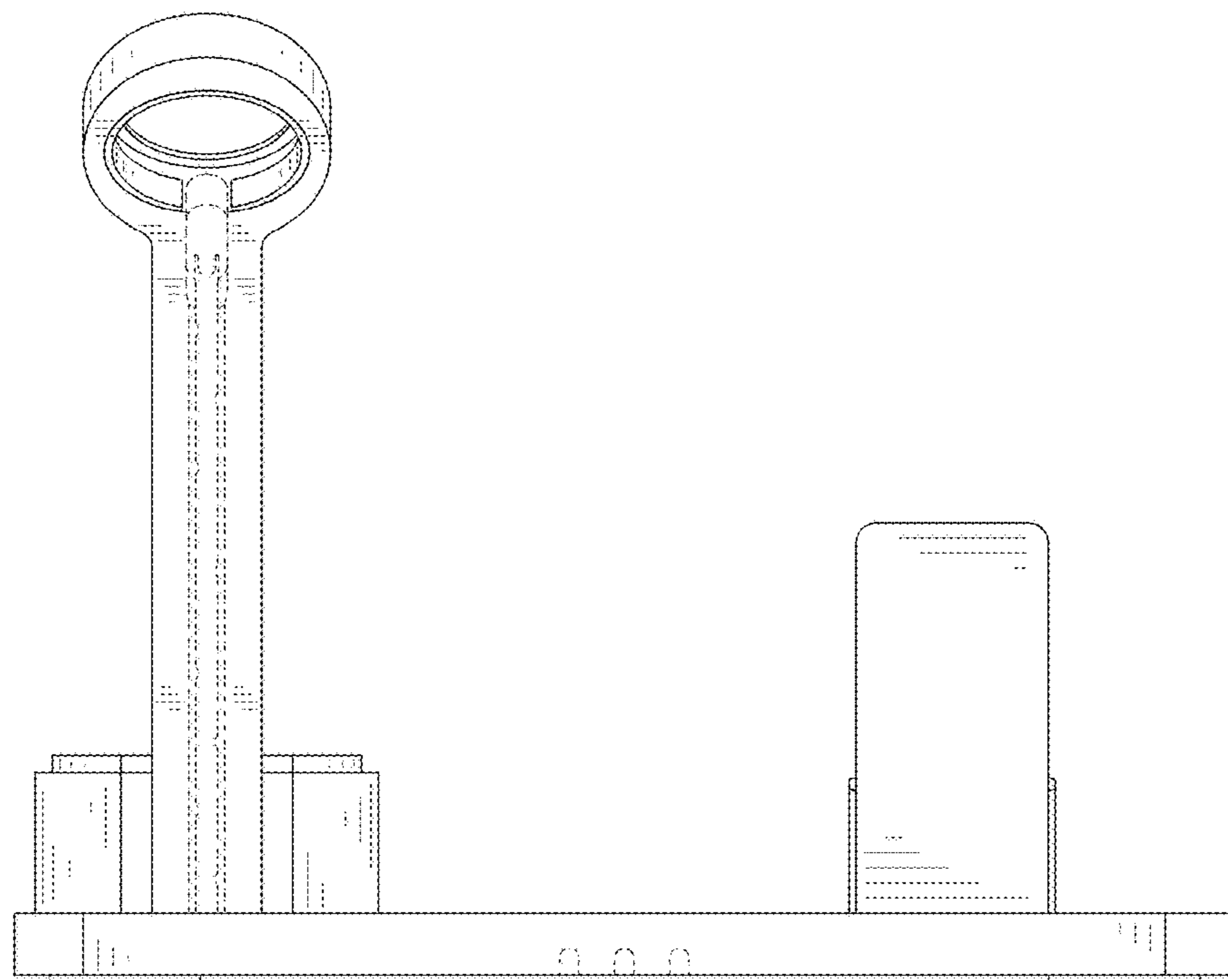


FIG. 1

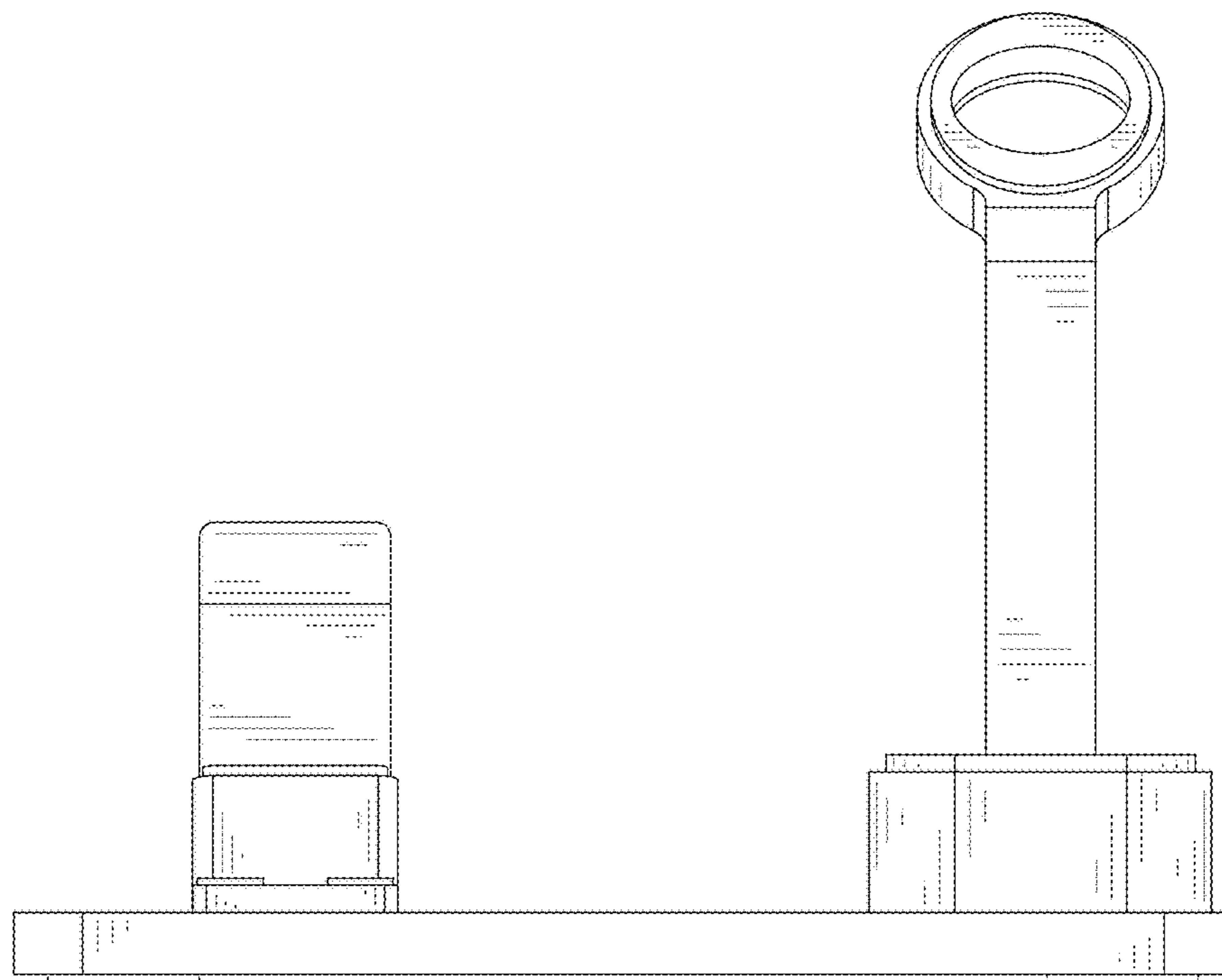


FIG. 2

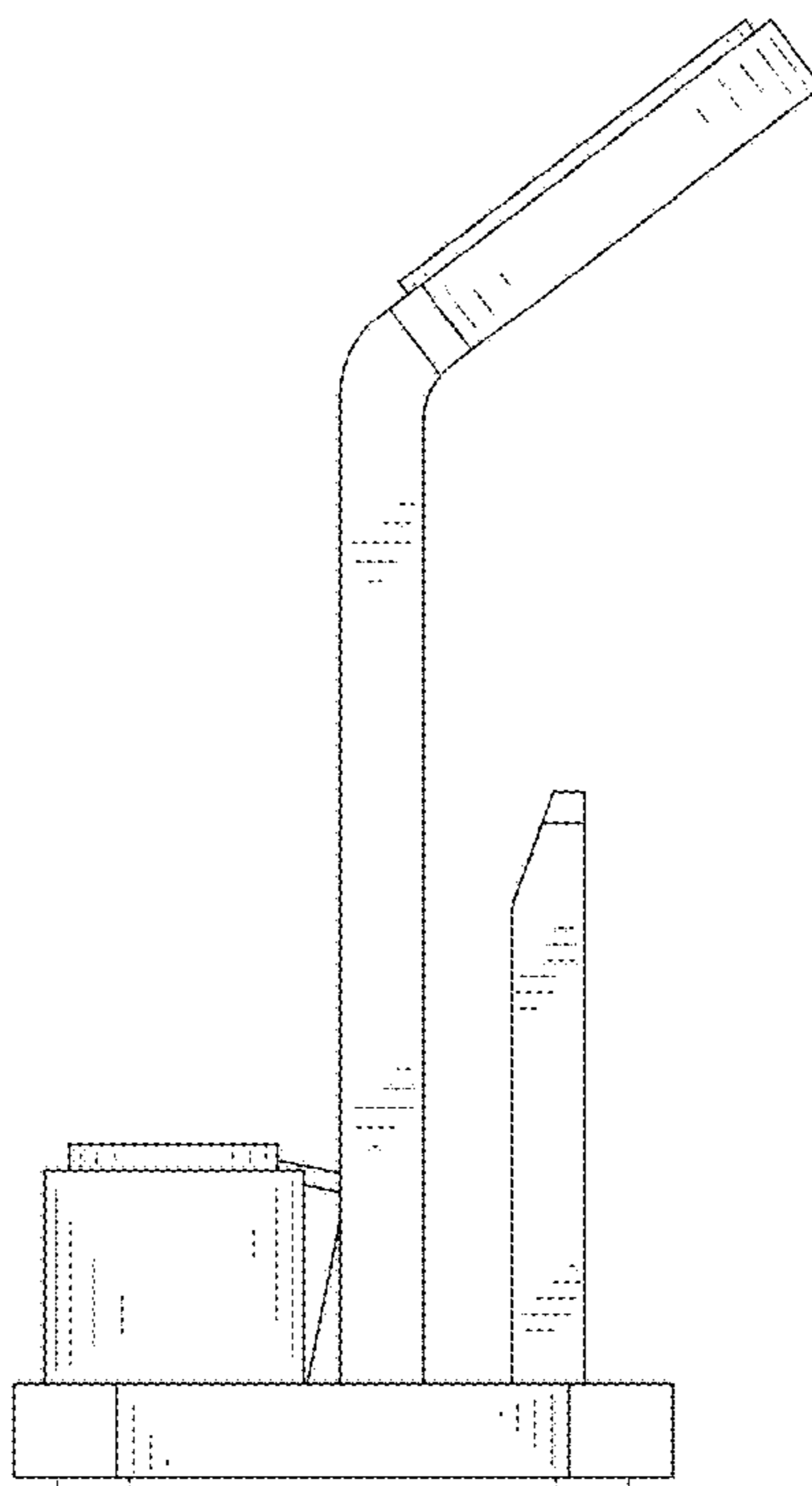


FIG. 3

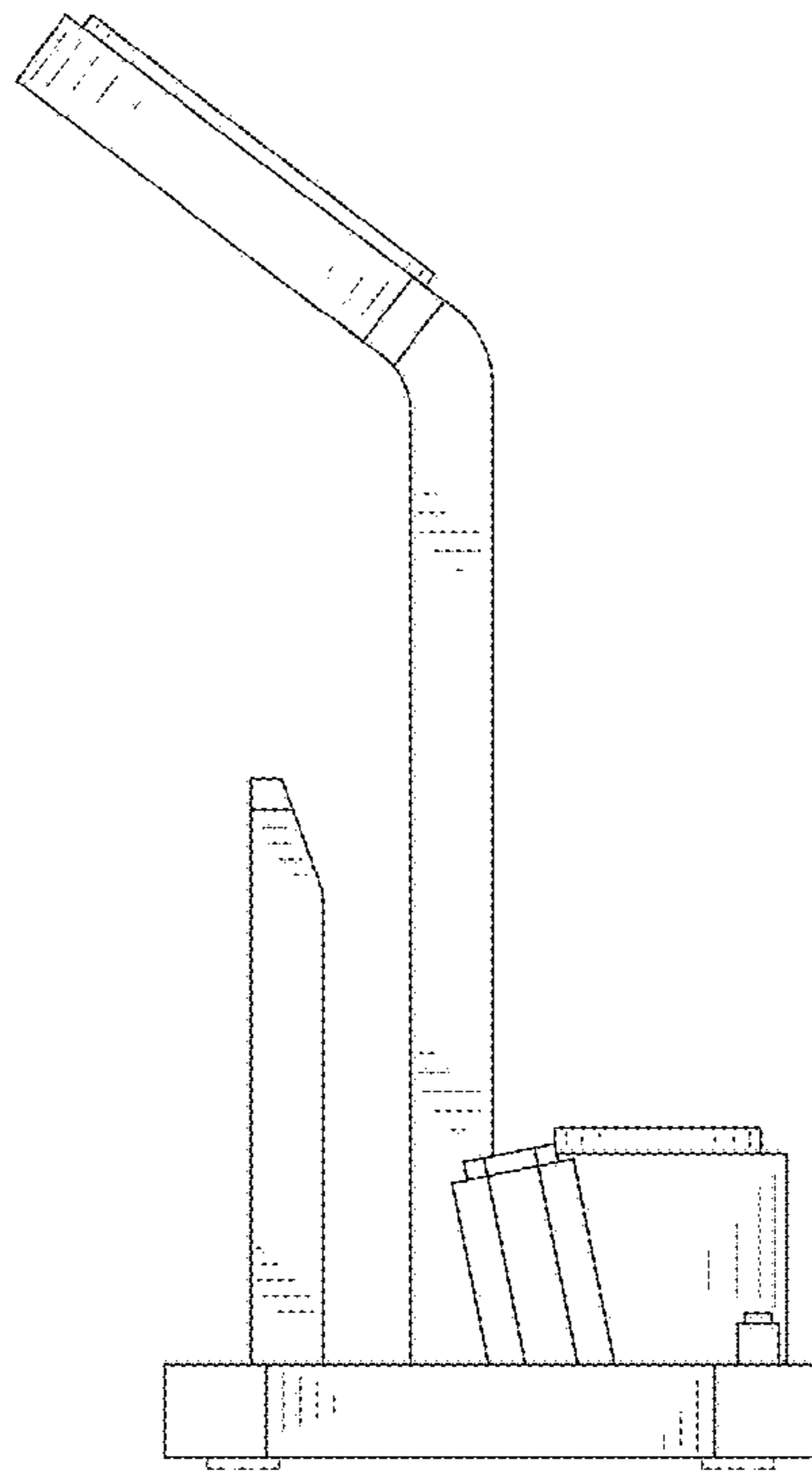


FIG. 4

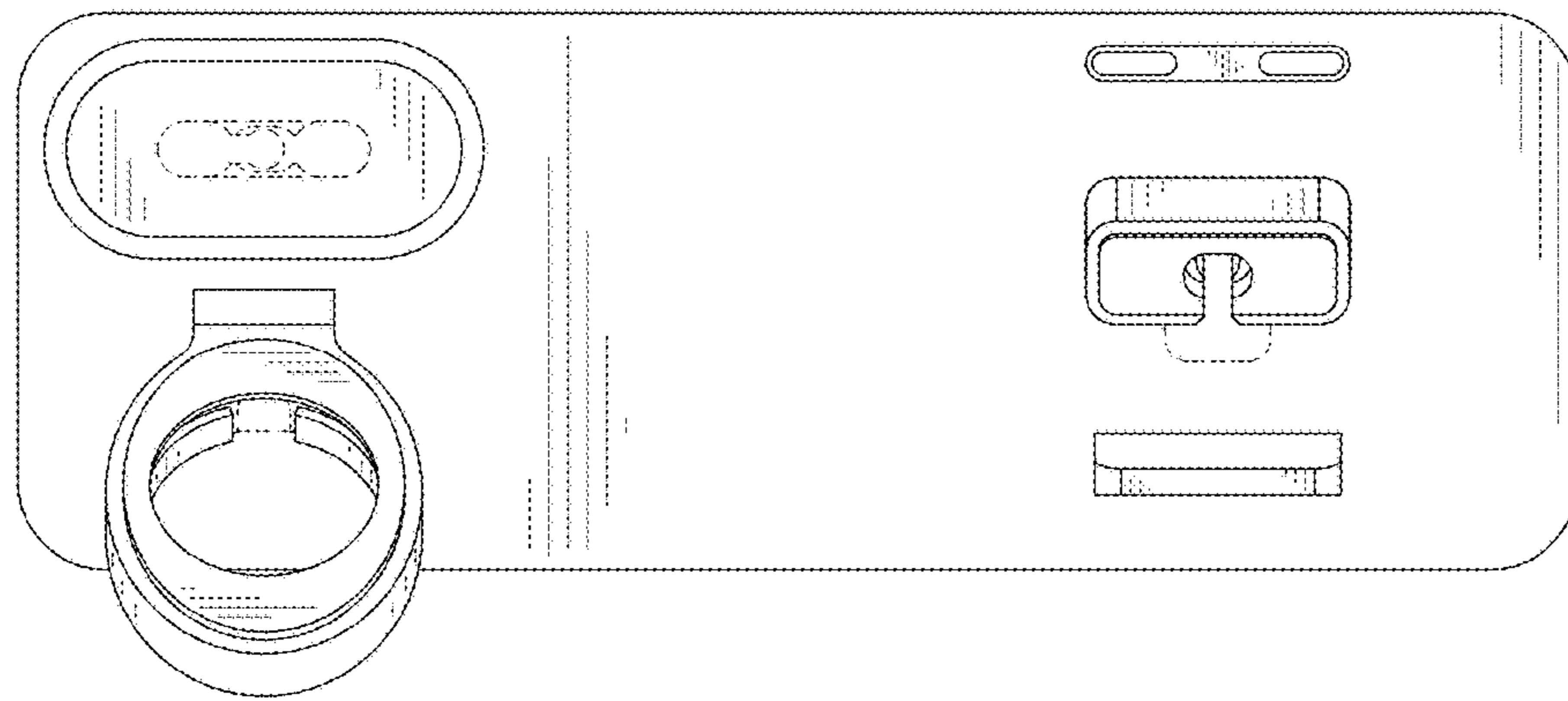


FIG. 5

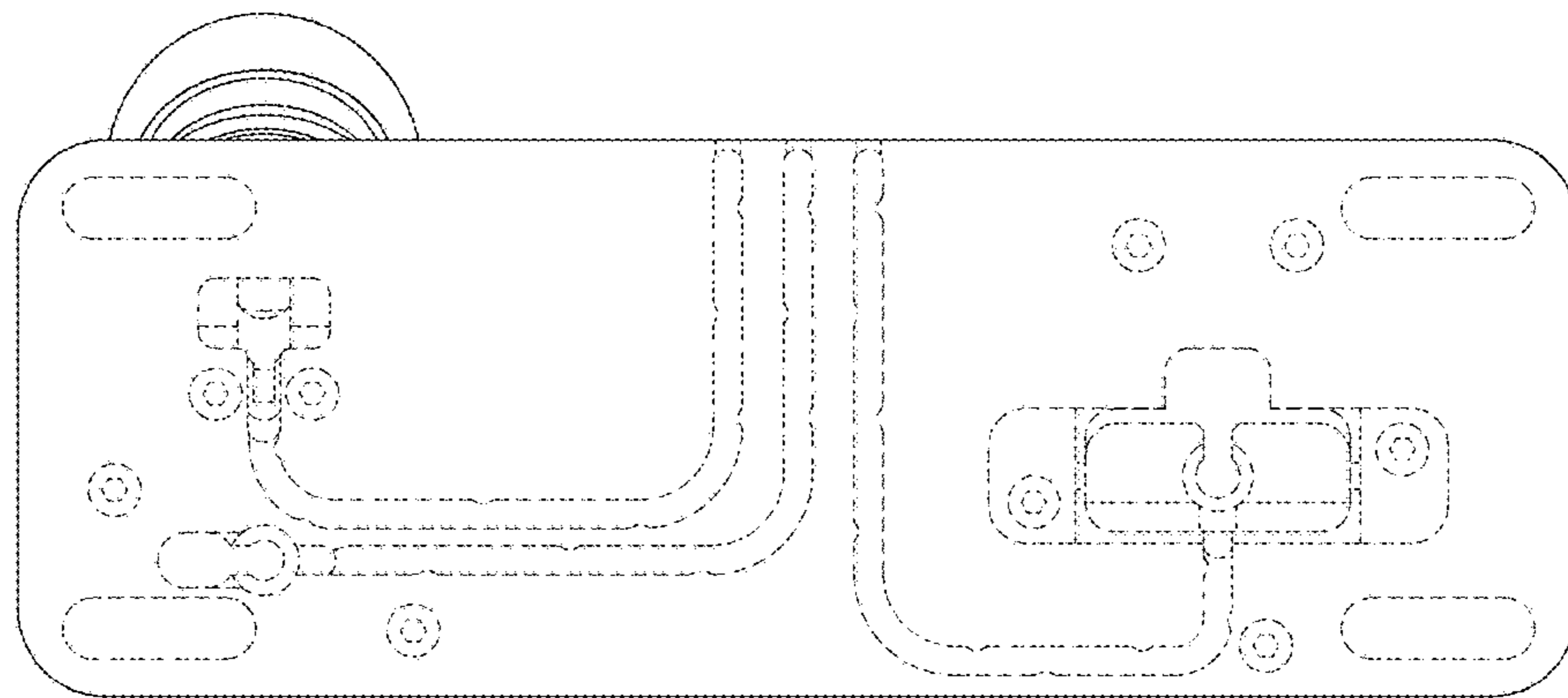


FIG. 6

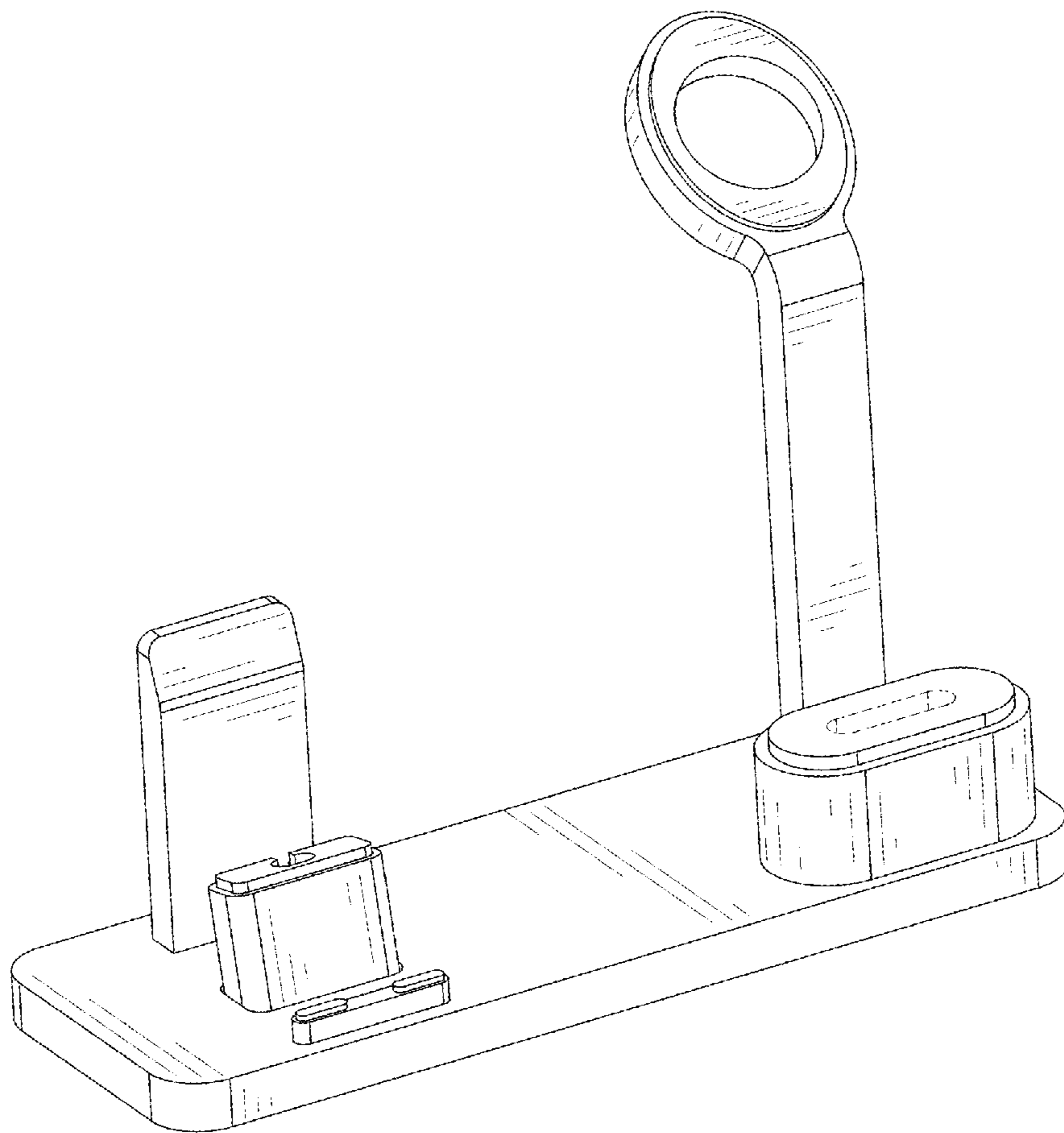


FIG. 7