



US00D858434S

(12) **United States Design Patent**
Park et al.

(10) **Patent No.:** **US D858,434 S**
(45) **Date of Patent:** **** Sep. 3, 2019**

- (54) **BATTERY MODULE**
- (71) Applicant: **LG Chem, Ltd.**, Seoul (KR)
- (72) Inventors: **Jung Il Park**, Daejeon (KR); **Jong Kyu Ahn**, Daejeon (KR); **Kyung Hyun Bae**, Daejeon (KR)
- (73) Assignee: **LG Chem, Ltd.** (KR)
- (**) Term: **15 Years**
- (21) Appl. No.: **29/616,640**
- (22) Filed: **Sep. 7, 2017**

D516,503	S	*	3/2006	Takeshita	D13/103
D516,505	S	*	3/2006	Niitsuma	D13/106
D731,412	S	*	6/2015	Gao	D13/103
2015/0004477	A1	*	1/2015	Kim	H01M 2/04 429/178

(30) **Foreign Application Priority Data**

- Jul. 24, 2017 (KR) 30-2017-0034093
- (51) **LOC (12) Cl.** **13-02**
- (52) **U.S. Cl.**
USPC **D13/103**
- (58) **Field of Classification Search**
USPC D13/102-110, 118, 119, 184, 199;
D14/356, 432
CPC Y02E 60/10; Y02E 60/12; Y02E 60/122;
Y02E 60/124; Y02E 60/50; H01M
2/1061; H01M 2/1022; H01M 2/1055;
H01M 2/1066; H01M 2/105; H01M 2/20;
H01M 2/202; H01M 2/204; H01M 2/206;
H01M 2/02; H01M 2/022; H01M 2/0202;
H01M 2/0207; H01M 2/0212; H01M
10/44; H01M 10/46; H01M 10/465;
H01M 10/482; H01M 10/4257; H01M
10/0436; H01M 10/48; H01M 2250/30;
H01M 2250/40; H02J 7/00; H02J 7/0003;
H02J 7/0011; H02J 7/0013; H02J 7/0054;
H02J 7/0055; H02J 7/0057; H02J
2007/0062

See application file for complete search history.

(56) **References Cited**

U.S. PATENT DOCUMENTS

D495,699	S	*	9/2004	Oura	D14/356
D495,701	S	*	9/2004	Murakami	D14/356

OTHER PUBLICATIONS

Solarelectricsupply.com: Configuration of an LG Chem ESS Battery System. Published May 31, 2018. Retrieved from the internet at <<https://www.solarelectricsupply.com/energy-storage-systems/lg-chem-ess>>, May 31, 2018. 1 page. (Year: 2018).*

* cited by examiner

Primary Examiner — Rosemary K Tarcza
Assistant Examiner — Christy M Nemeth
(74) *Attorney, Agent, or Firm* — Lerner, David, Littenberg, Krumholz & Mentlik, LLP

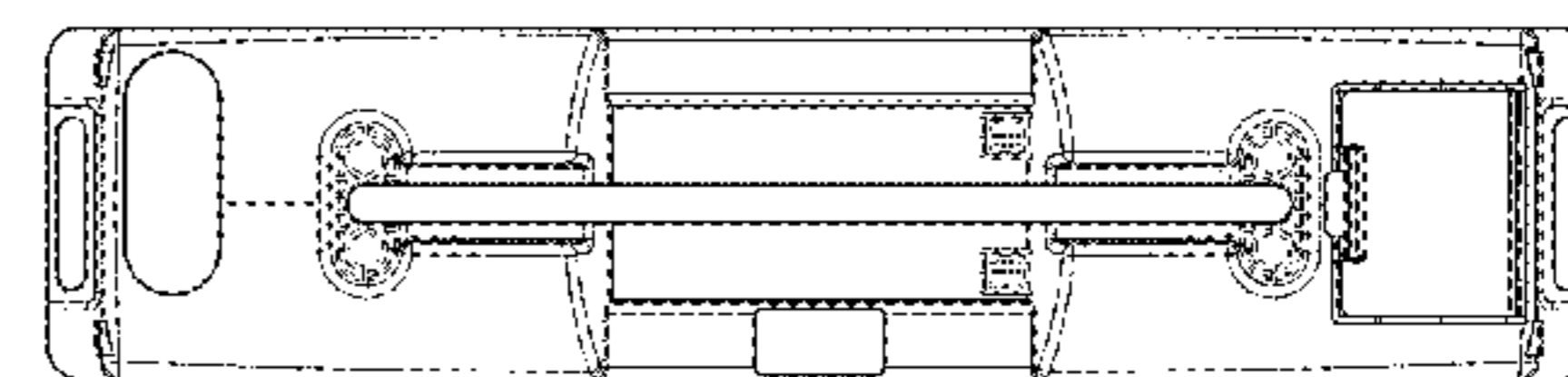
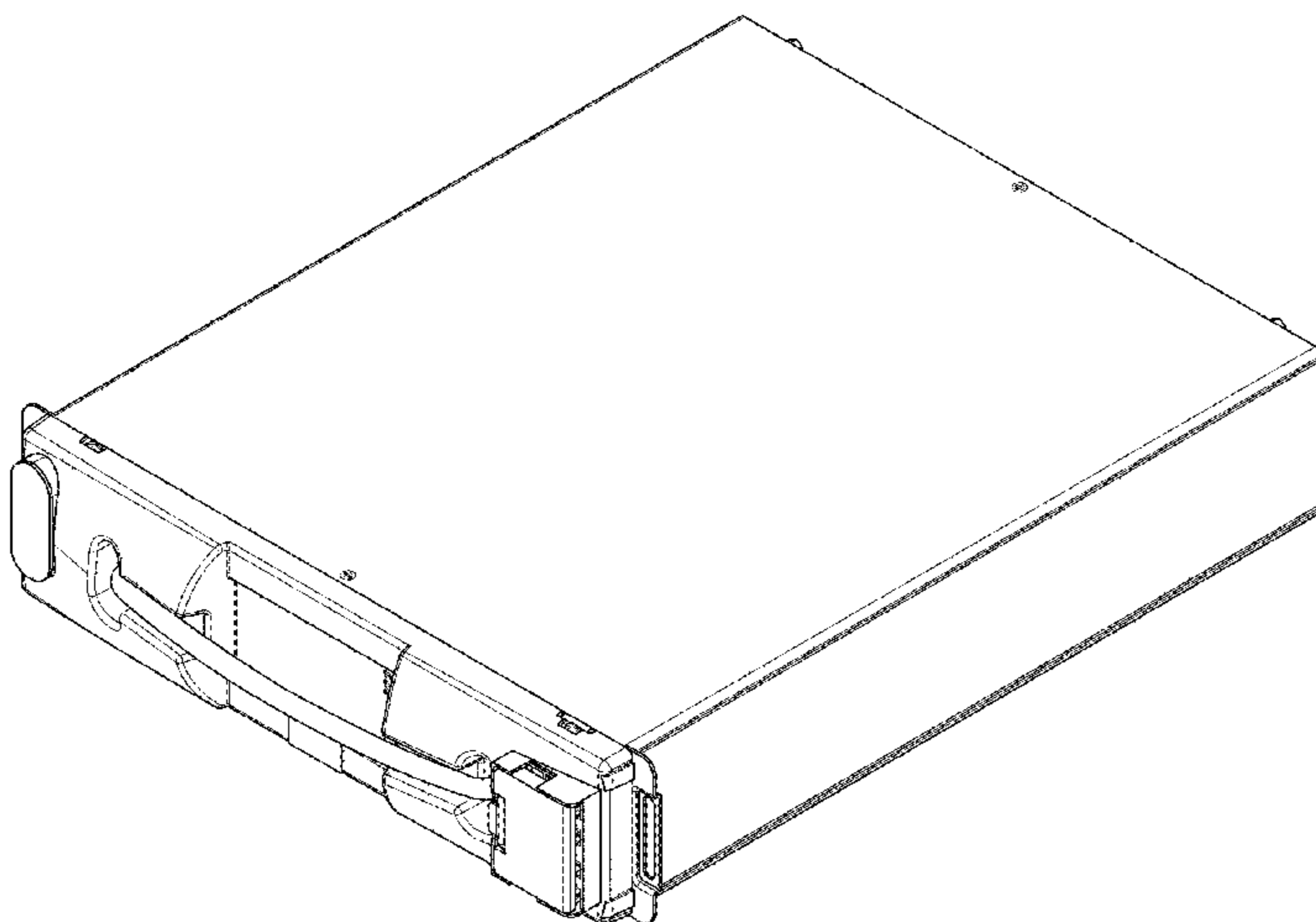
(57) **CLAIM**

The ornamental design for a battery module, as shown and described.

DESCRIPTION

FIG. 1 is a front perspective view of a battery module according to our design;
FIG. 2 is a front view thereof;
FIG. 3 is a rear view thereof;
FIG. 4 is a left side view thereof;
FIG. 5 is a right side view thereof;
FIG. 6 is a top view thereof;
FIG. 7 is a bottom view thereof; and,
FIG. 8 is a rear perspective view thereof.
The broken lines in the drawings illustrate environmental subject matter only and form no part of the claimed design.

1 Claim, 6 Drawing Sheets



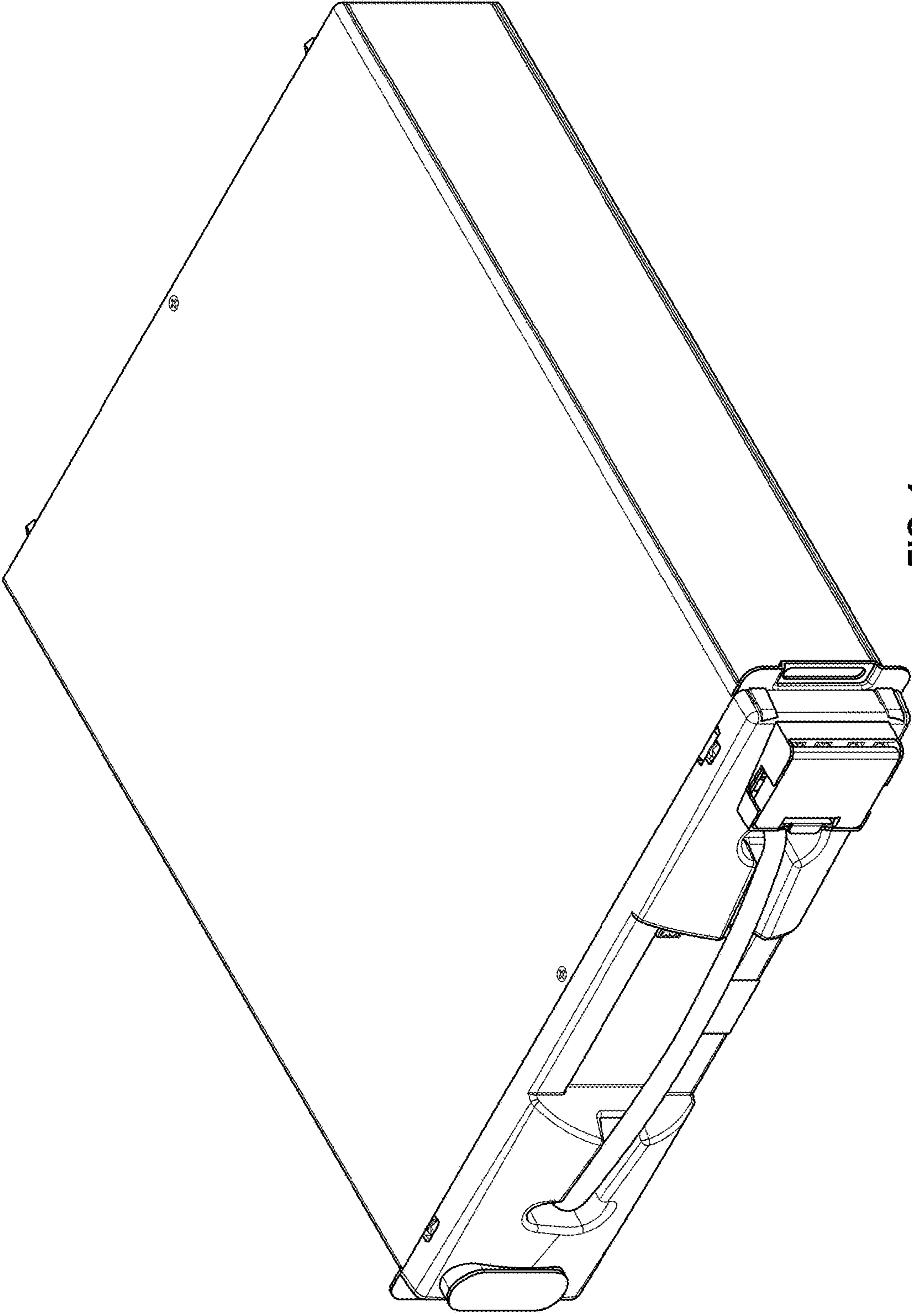


FIG. 1

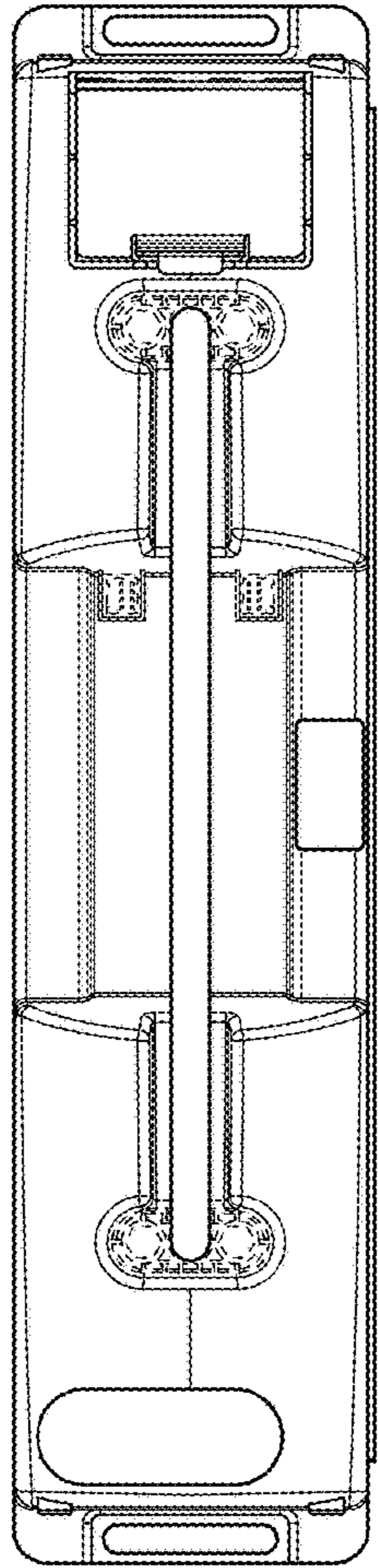


FIG. 2

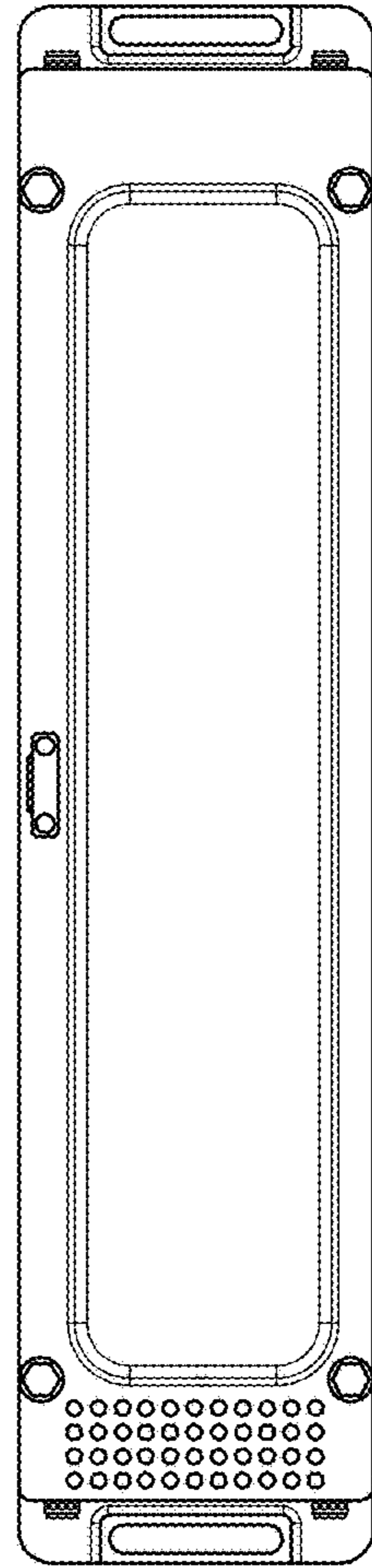


FIG. 3

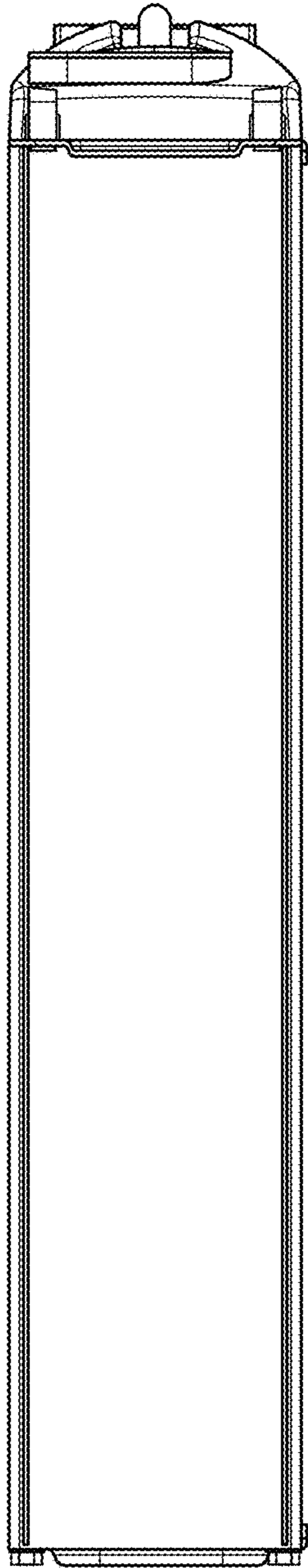


FIG. 4

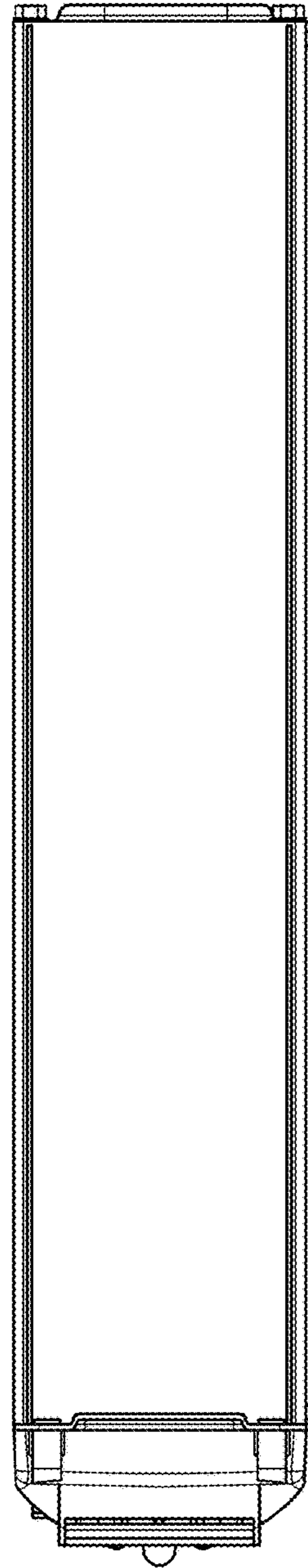


FIG. 5

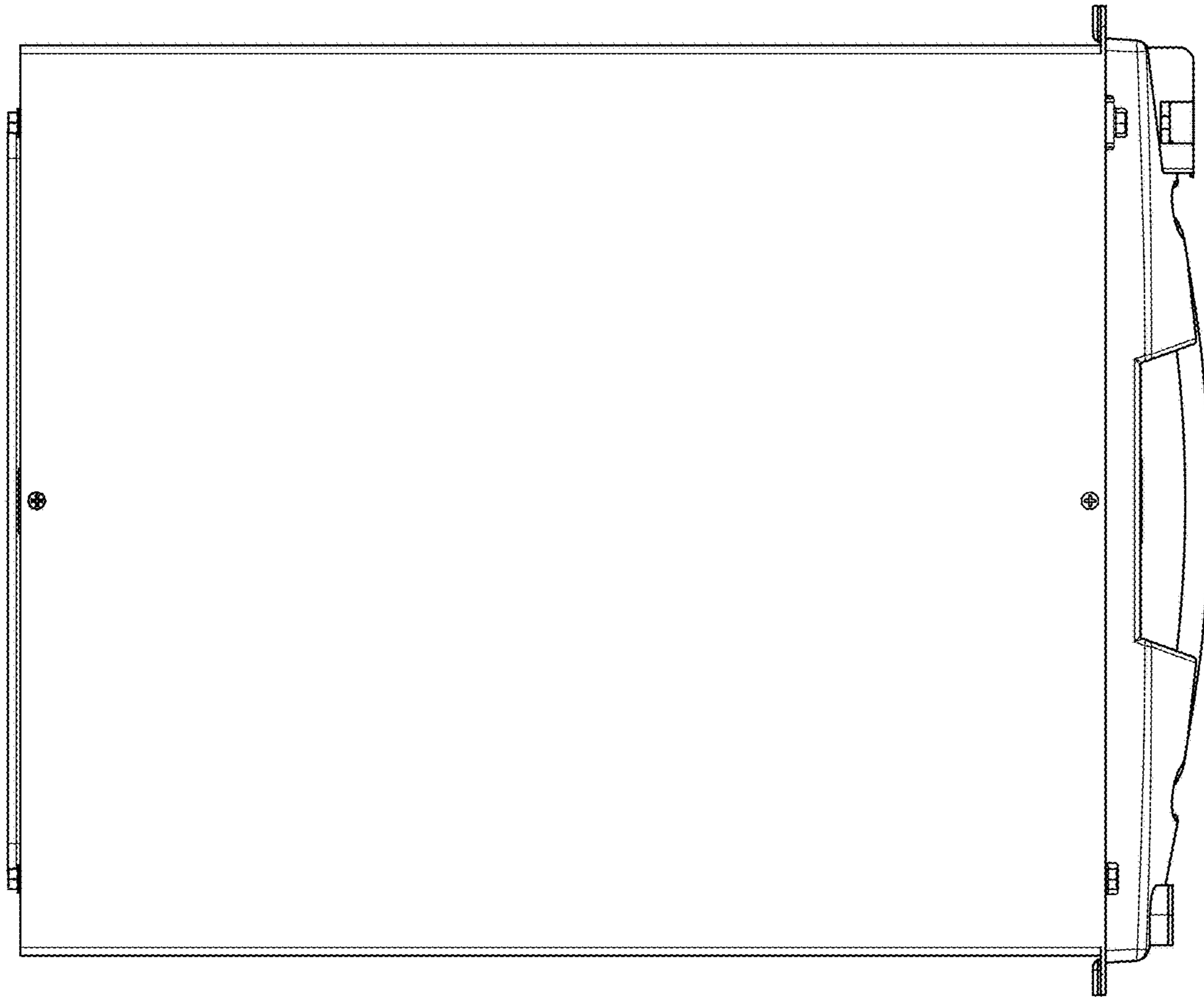


FIG. 6

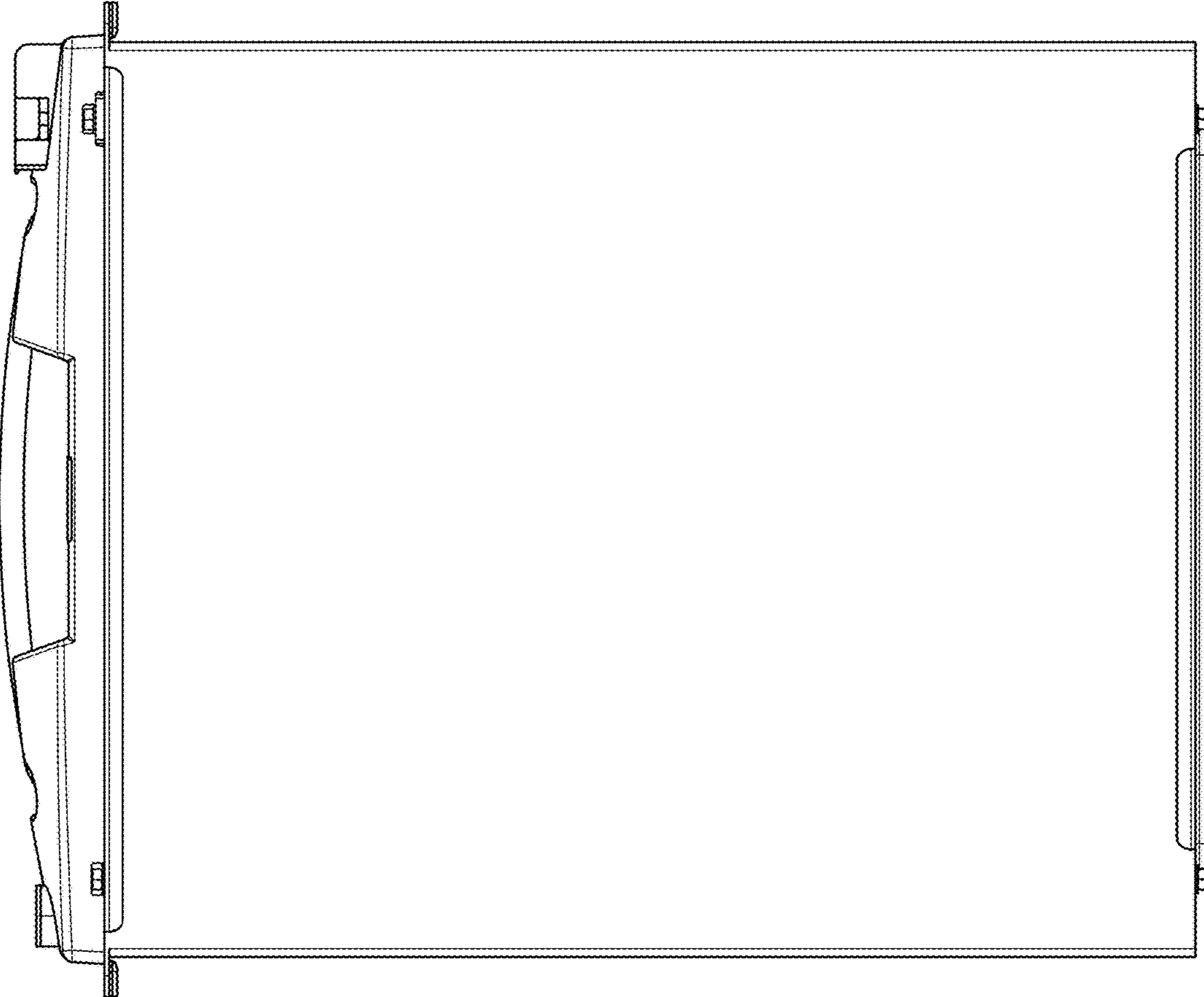


FIG. 7

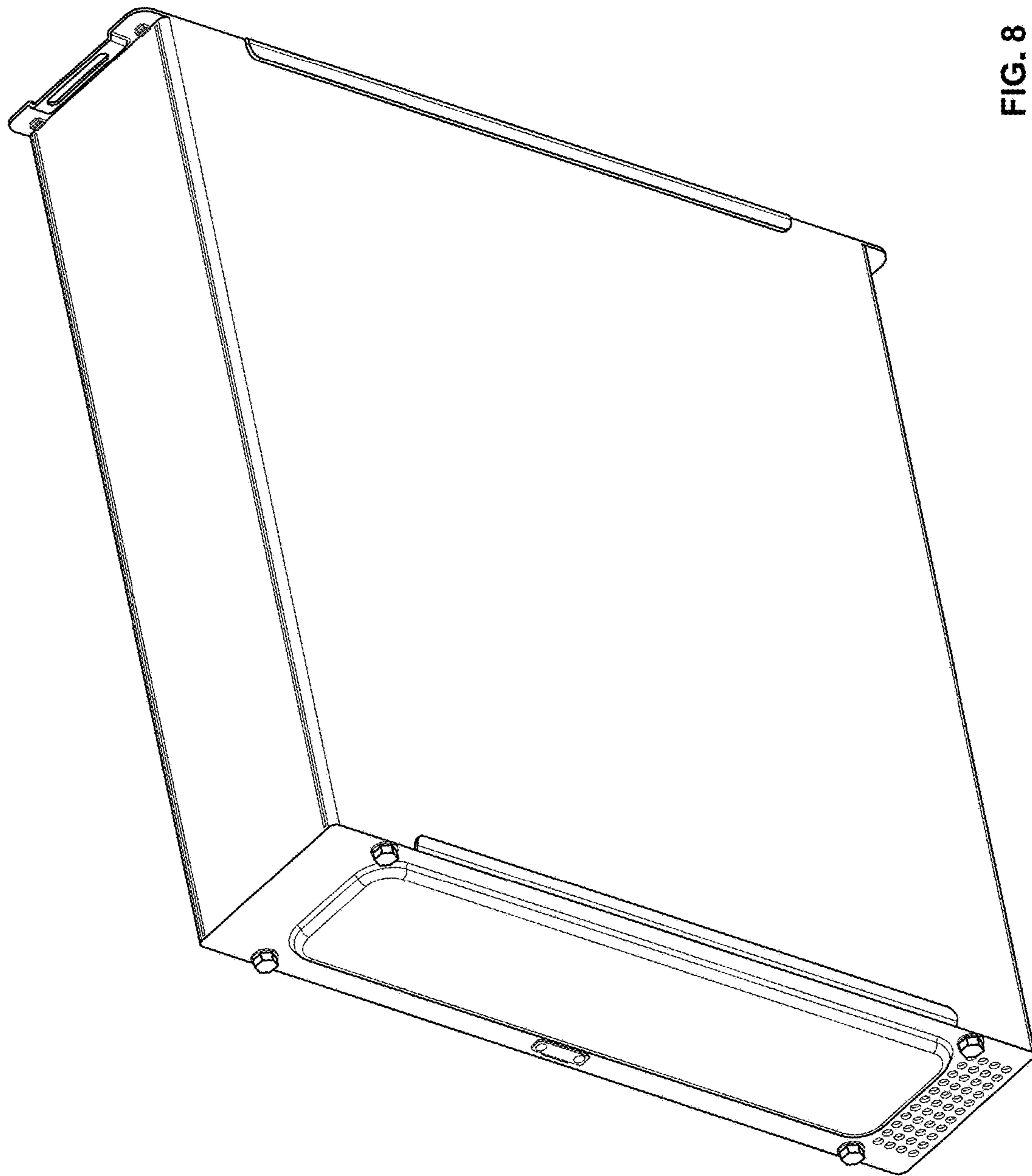


FIG. 8