



US00D858433S

(12) **United States Design Patent**
Gan

(10) **Patent No.:** **US D858,433 S**

(45) **Date of Patent:** **** Sep. 3, 2019**

(54) **SMART BATTERY MODULE FOR AN UNMANNED AERIAL VEHICLE**

(71) Applicant: **NINGBO PELICAN DRONE CO., LTD.**, Ningbo (CN)

(72) Inventor: **Tao Gan**, Melbourne (AU)

(**) Term: **15 Years**

(21) Appl. No.: **29/610,063**

(22) Filed: **Jul. 9, 2017**

(30) **Foreign Application Priority Data**

Jun. 21, 2017 (CN) 2017 3 0258977

(51) **LOC (12) Cl.** **13-02**

(52) **U.S. Cl.**
USPC **D13/103**

(58) **Field of Classification Search**
USPC D13/102-110, 118, 119, 184, 199;
D14/356, 432

CPC Y02E 60/10; Y02E 60/12; Y02E 60/122;
Y02E 60/124; Y02E 60/50; H01M
2/1061; H01M 2/1022; H01M 2/1055;
H01M 2/1066; H01M 2/105; H01M 2/20;
H01M 2/202; H01M 2/204; H01M 2/206;
H01M 2/02; H01M 2/022; H01M 2/0202;
H01M 2/0207; H01M 2/0212; H01M
10/44; H01M 10/46; H01M 10/465;
H01M 10/482; H01M 10/4257; H01M
10/0436; H01M 10/48; H01M 2250/30;
H01M 2250/40; H02J 7/00; H02J 7/0003;
H02J 7/0011; H02J 7/0013; H02J 7/0054;
H02J 7/0055; H02J 7/0057; H02J
2007/0062

See application file for complete search history.

(56) **References Cited**

U.S. PATENT DOCUMENTS

D400,495 S * 11/1998 Deslyper D13/103
D508,463 S * 8/2005 Matsukawa D13/110

D555,116 S * 11/2007 Schlegel D13/184
D680,061 S * 4/2013 Jiang D13/103
D699,672 S * 2/2014 Kosugi D13/103
D740,222 S * 10/2015 Tang D13/103
D765,592 S * 9/2016 Friend D13/103

(Continued)

OTHER PUBLICATIONS

Amazon.com: DJI High Capacity Phantom 4 Series P4-Intelligent Flight Battery. Published Nov. 1, 2016. Retrieved from the internet at <https://www.amazon.com/DJI-Cpacity-Phantom-P4-Intelligent-CP-PT-000601/dp/B01NBA3SYH/>, May 18, 2018. 1 page. (Year: 2016).*

(Continued)

Primary Examiner — Rosemary K Tarcza
Assistant Examiner — Christy M Nemeth
(74) *Attorney, Agent, or Firm* — W&K IP

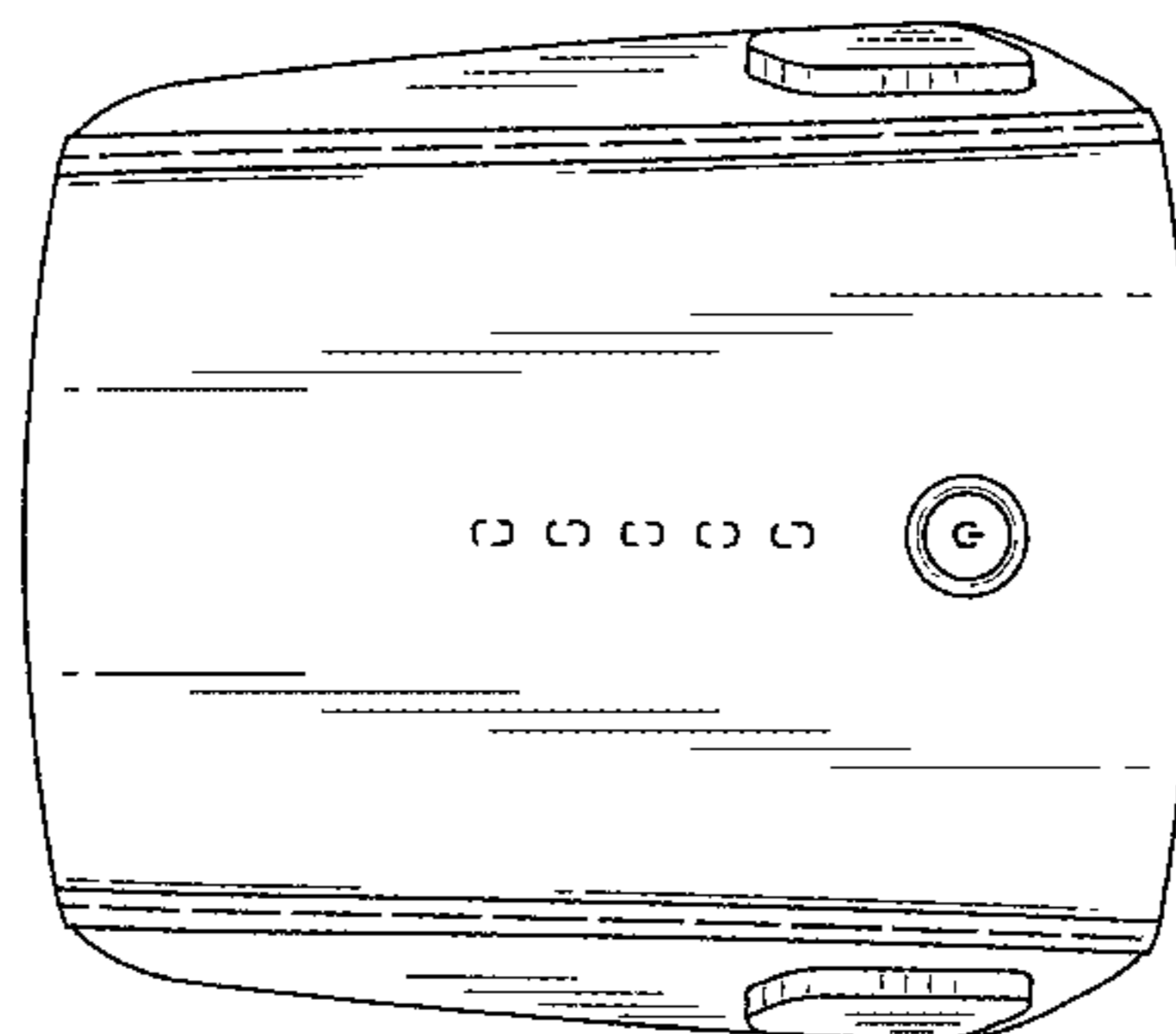
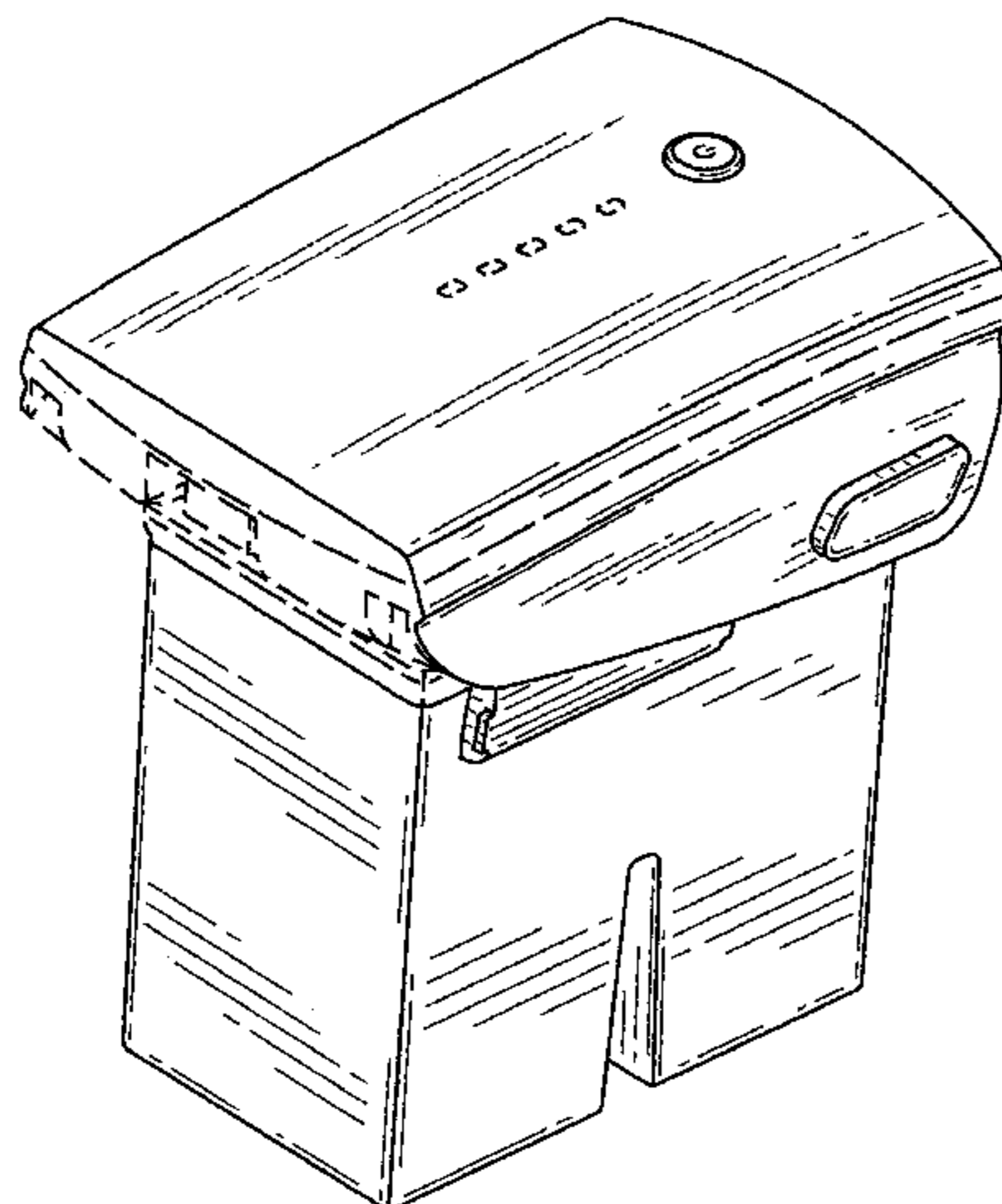
(57) **CLAIM**

The ornamental design for a smart battery module for an unmanned aerial vehicle, as shown and described.

DESCRIPTION

FIG. 1 is a top-front-left side perspective view of a smart battery module for an unmanned aerial vehicle of my new design;
FIG. 2 is a front elevation view thereof;
FIG. 3 is a rear elevation view thereof;
FIG. 4 is a left side elevation view thereof;
FIG. 5 is a right side elevation view thereof;
FIG. 6 is a top plan view thereof; and,
FIG. 7 is a bottom plan view thereof.
The broken lines in the drawings are for the purpose of illustrating portions of the smart battery module for an unmanned aerial vehicle which form no part of the claimed design.

1 Claim, 7 Drawing Sheets



(56)

References Cited

U.S. PATENT DOCUMENTS

D810,677 S * 2/2018 Chen D13/103

OTHER PUBLICATIONS

Amazon.com: DJI Mavic Pro Quadcopter Drone Combo Pack. Published Jun. 5, 2017. Retrieved from the internet at <<https://www.amazon.com/DJI-Quadcopter-Camera-Battery-Bundle/dp/B01M9GX28H/>>, May 18, 2018. 1 page. (Year: 2017).*

YouTube.com: Rippton-Mobula Debut 2017. Published Dec. 10, 2017. Retrieved from the internet at <<https://www.youtube.com/watch?v=GDCh89tbhBA>>, May 18, 2018. 1 page. (Year: 2017).*

* cited by examiner

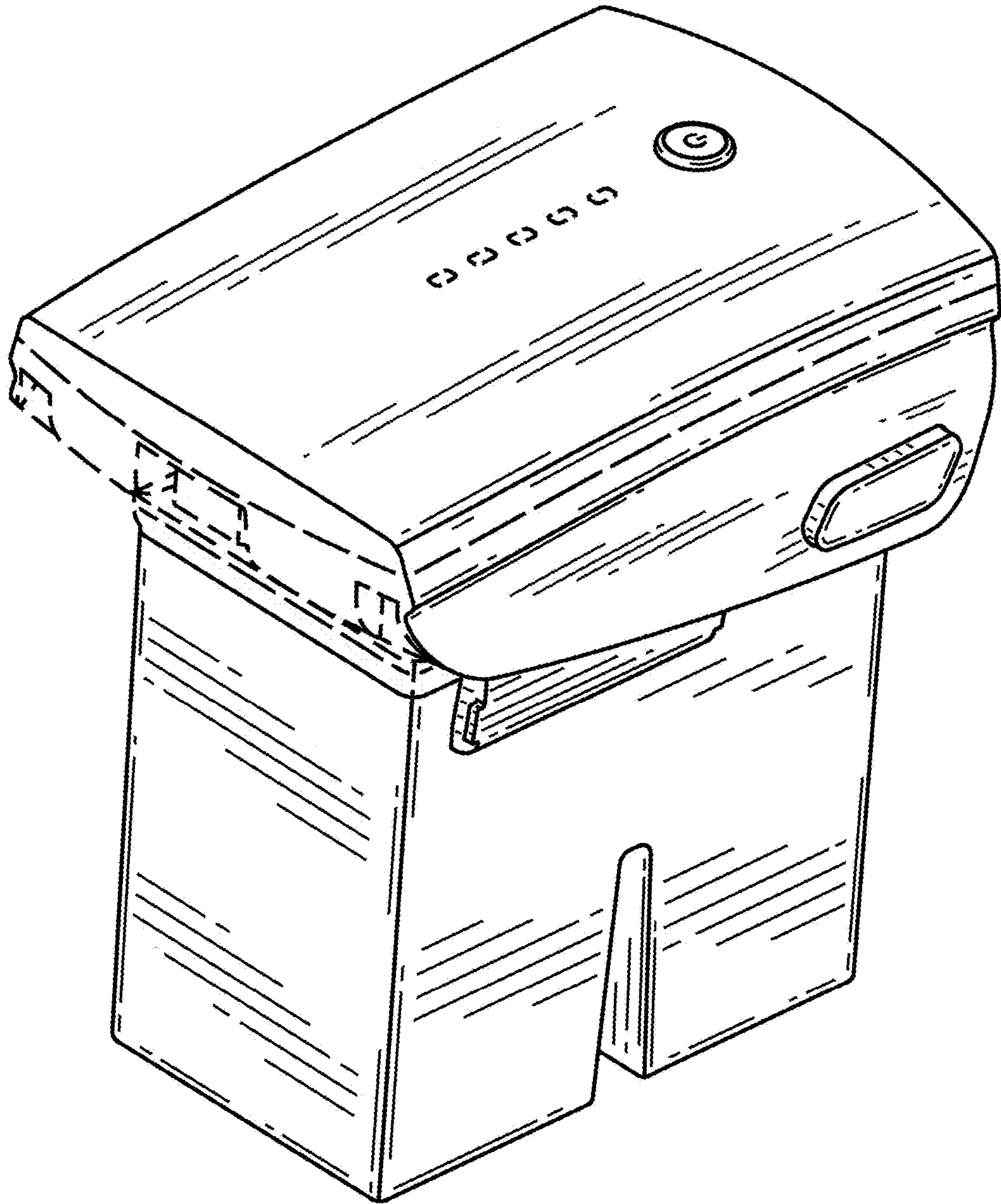


FIG. 1

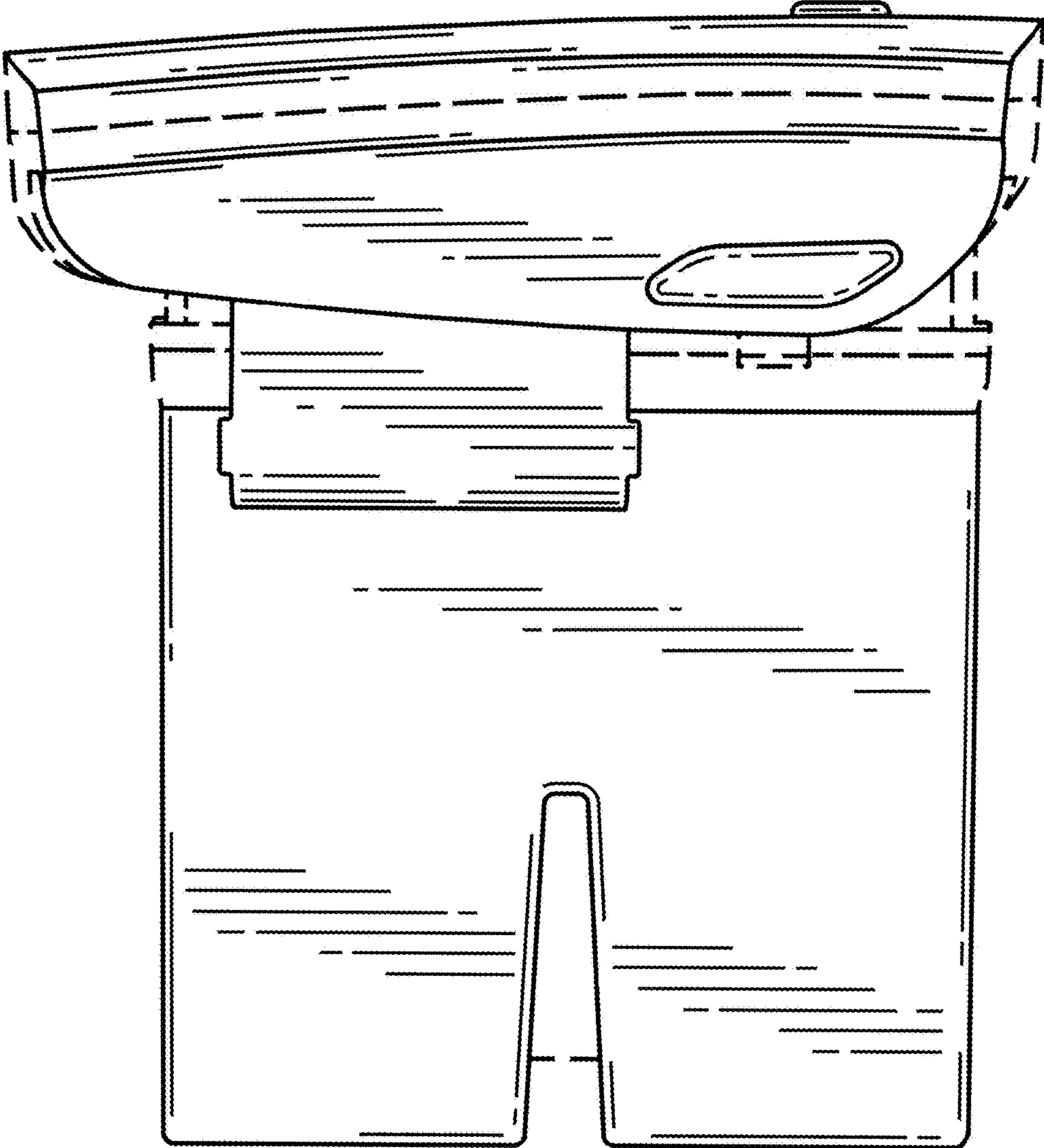


FIG. 2

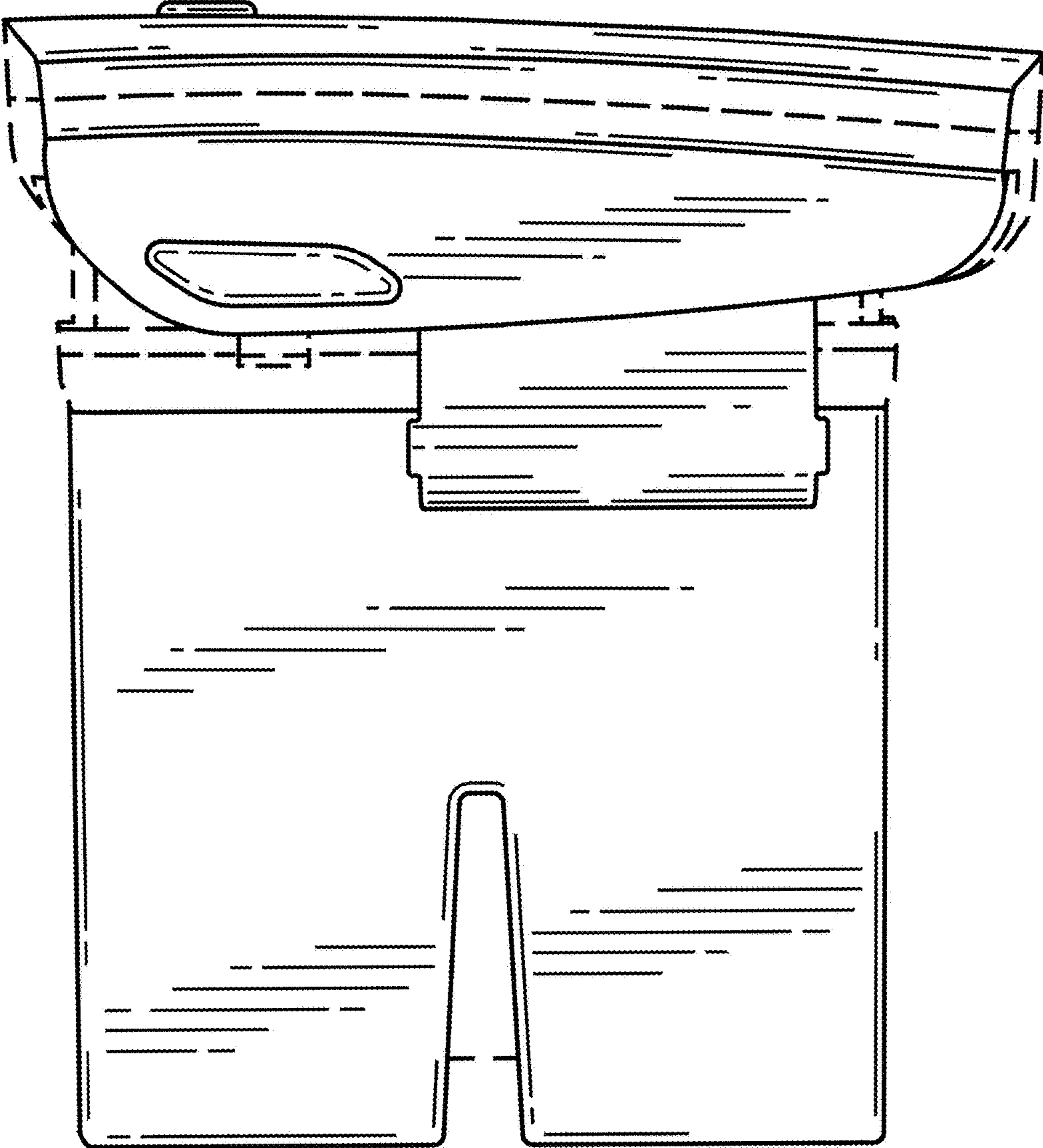


FIG. 3

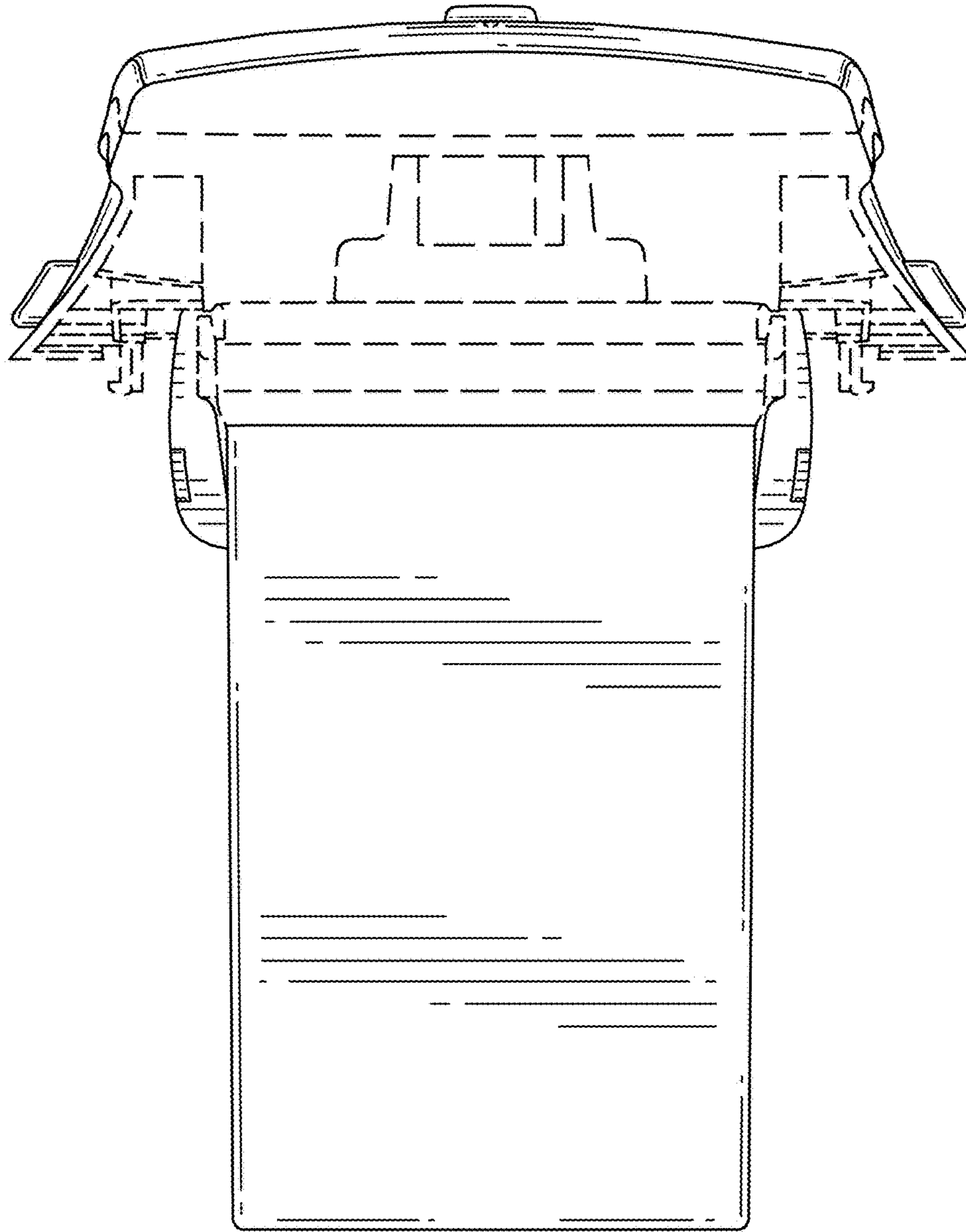


FIG. 4

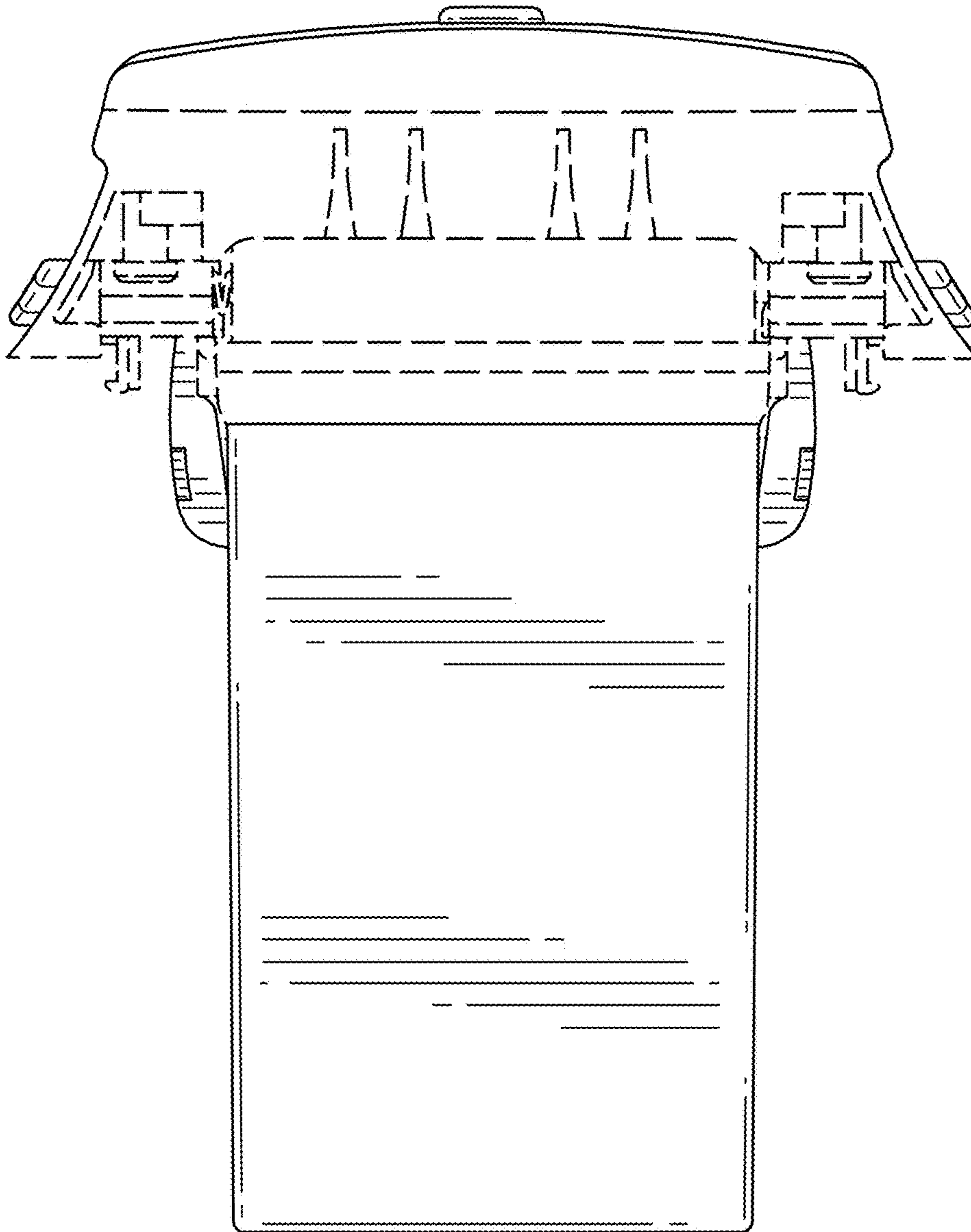


FIG. 5

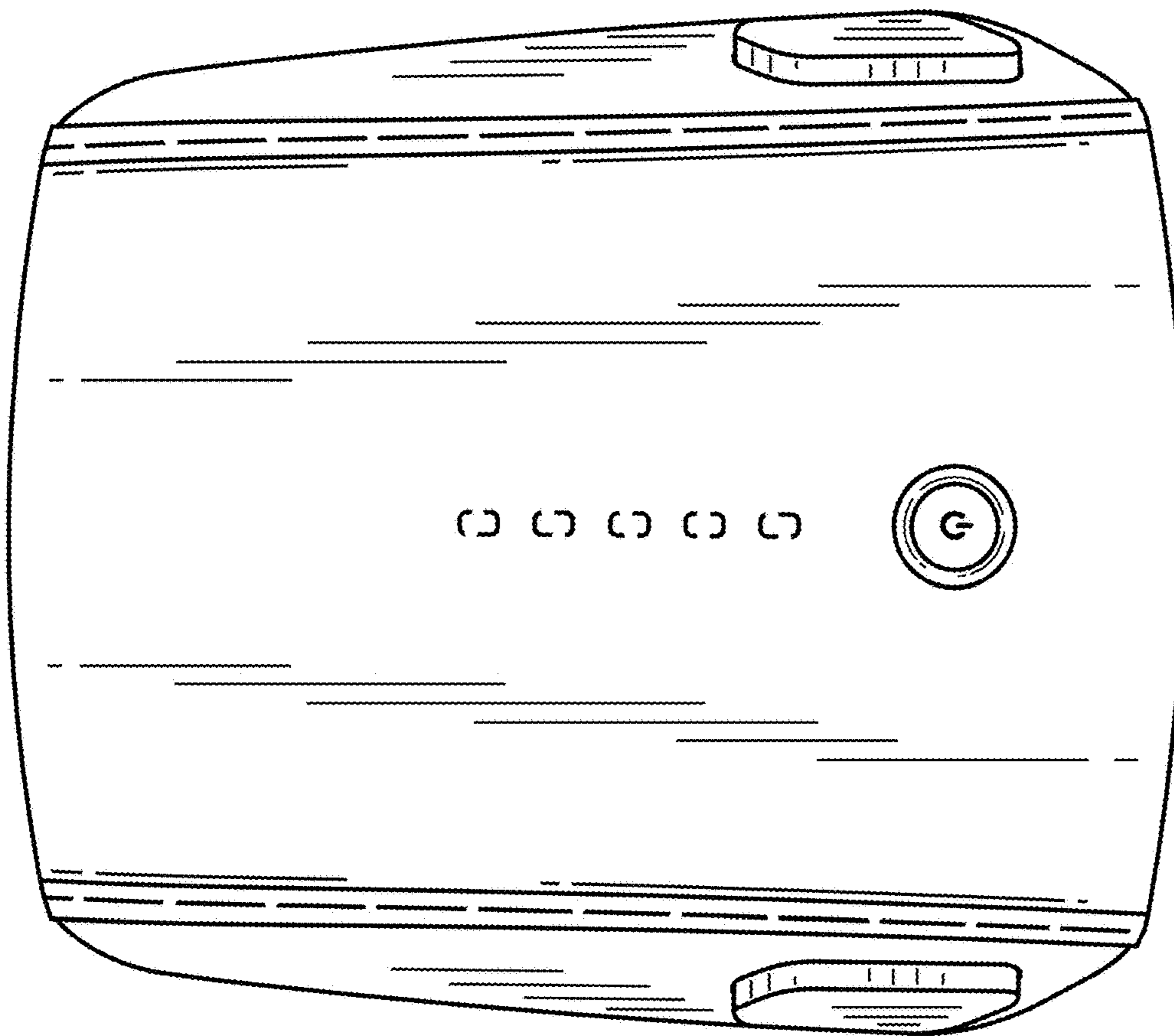


FIG. 6

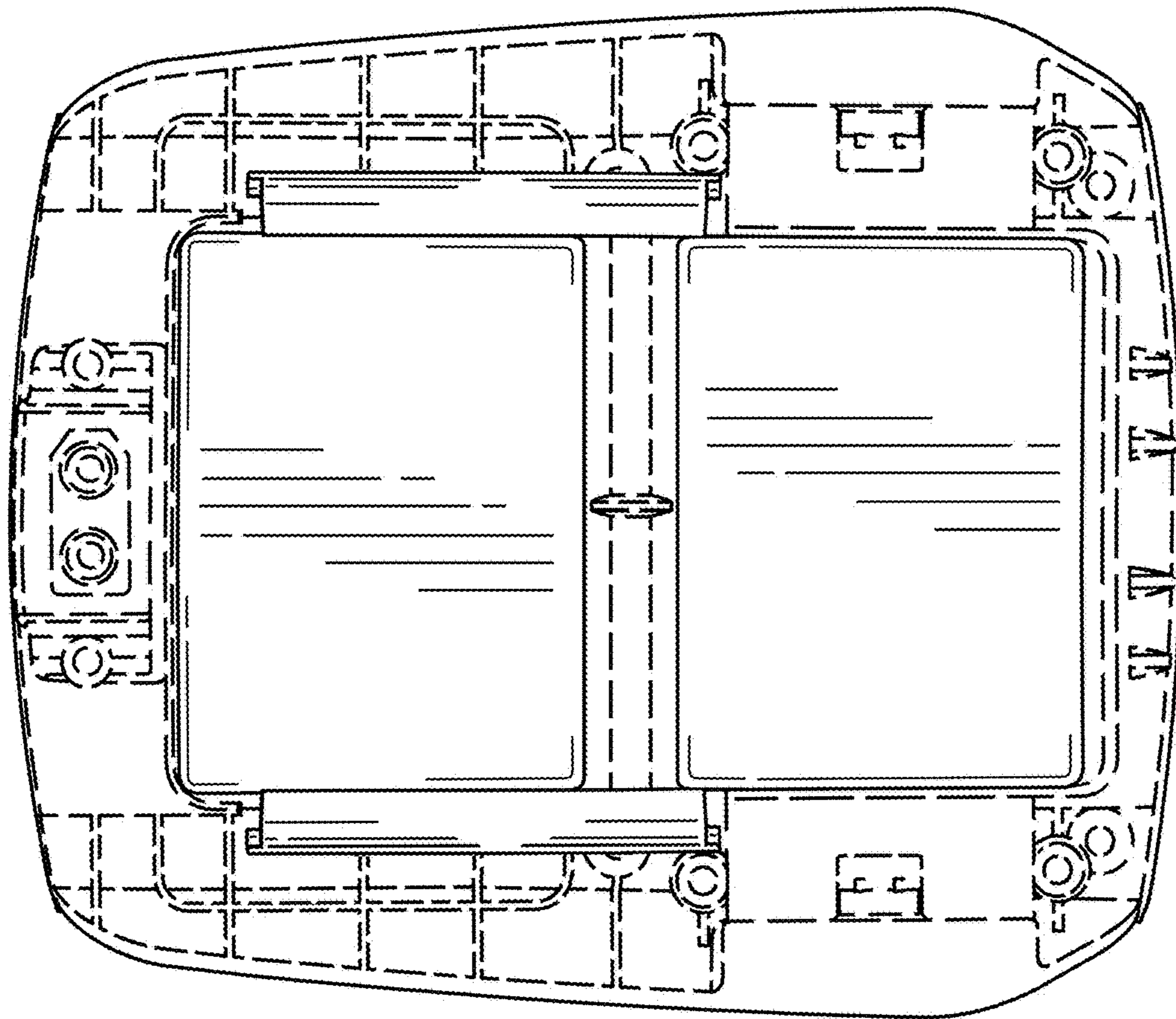


FIG. 7