



US00D858432S

(12) **United States Design Patent** (10) **Patent No.:** **US D858,432 S**
Altenburger (45) **Date of Patent:** **** Sep. 3, 2019**

(54) **BATTERY PACK**

(71) Applicant: **TTI (MACAO COMMERCIAL OFFSHORE) LIMITED**, Macau (MO)

(72) Inventor: **Ryan Altenburger**, Greenville, SC (US)

(73) Assignee: **TTI (MACAO COMMERCIAL OFFSHORE) LIMITED**, Macau (MO)

(**) Term: **15 Years**

(21) Appl. No.: **29/578,156**

(22) Filed: **Sep. 19, 2016**

(30) **Foreign Application Priority Data**

Mar. 17, 2016 (CN) 2016 3 0076775

(51) **LOC (12) Cl.** **13-02**

(52) **U.S. Cl.**
USPC **D13/103**

(58) **Field of Classification Search**

USPC D13/102-106, 110, 118-119, 184
CPC Y02E 60/12; Y02E 60/122; Y02E 60/124;
Y02E 60/50; H01M 2/02; H01M 2/022;
H01M 2/0202; H01M 2/0207; H01M
2/0212; H01M 2/1061; H01M 2/1022;
H01M 2/1055; H01M 2/1066; H01M
2/105; H01M 2/204; H01M 10/4257;
H01M 10/0436; H01M 10/48

See application file for complete search history.

(56) **References Cited**

U.S. PATENT DOCUMENTS

D306,573 S * 3/1990 Schultz D13/103
D306,574 S * 3/1990 Schultz D13/103
(Continued)

FOREIGN PATENT DOCUMENTS

EP 000683503-0001 6/2007
EP 000849468-0001 2/2008
(Continued)

OTHER PUBLICATIONS

Ryobi 18 Volt Compact Lithium Ion 1.5 Ah Battery, <https://www.amazon.com/Ryobi-P107-Compact-Lithium-Battery/dp/B00AV250JS/ref=sr_1_4?s=power-hand-tool&ie=UTF8&qid=1511132965&sr=1-4&keywords=ryobi+18v+batt>Ryobi, first available on amazon.com Dec. 31, 2012.

Primary Examiner — Jennifer Rivard
Assistant Examiner — Alison M Ofstun

(74) *Attorney, Agent, or Firm* — Michael Best & Friedrich LLP

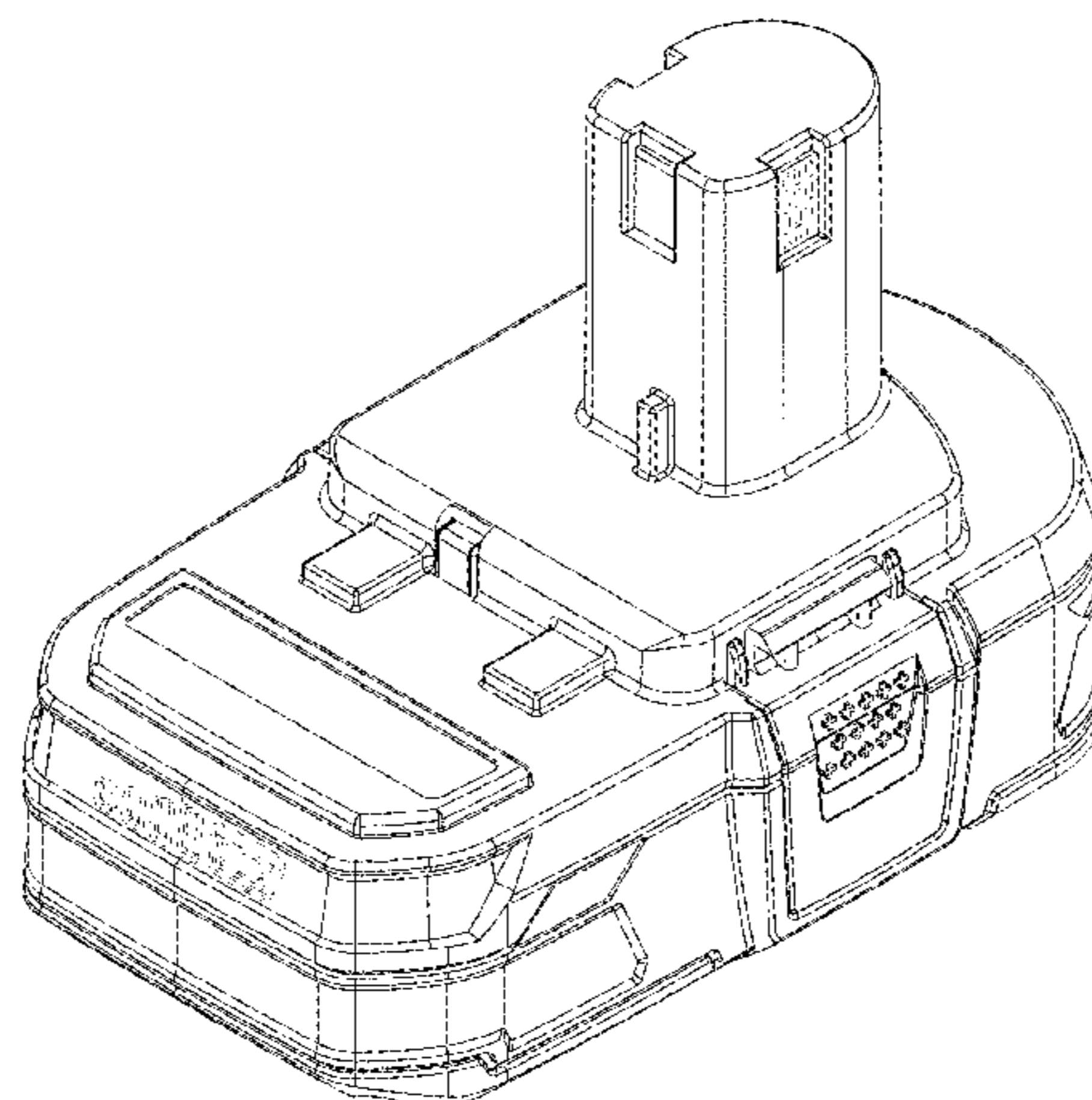
(57) **CLAIM**

The ornamental design for a battery pack, as shown and described.

DESCRIPTION

FIG. 1 is a perspective view of a battery pack showing my new design;
FIG. 2 is another perspective view of the battery pack of FIG. 1;
FIG. 3 is a right side view of the battery pack of FIG. 1;
FIG. 4 is a left side view of the battery pack of FIG. 1;
FIG. 5 is a rear view of the battery pack of FIG. 1;
FIG. 6 is a front view of the battery pack of FIG. 1;
FIG. 7 is a top view of the battery pack of FIG. 1;
FIG. 8 is a bottom view of the battery pack of FIG. 1;
FIG. 9 is a perspective view of a second embodiment of a battery pack showing my new design;
FIG. 10 is a right side view of the battery pack of FIG. 9;
FIG. 11 is a left side view of the battery pack of FIG. 9;
FIG. 12 is a rear view of the battery pack of FIG. 9;
FIG. 13 is a front view of the battery pack of FIG. 9;
FIG. 14 is a top view of the battery pack of FIG. 9; and,
FIG. 15 is a bottom view of the battery pack of FIG. 9.
The broken lines present in the drawings illustrate portions of the article which form no part of the claimed design.

1 Claim, 8 Drawing Sheets



(56)

References Cited

U.S. PATENT DOCUMENTS

D320,918 S	10/1991	Mochida		D597,933 S	8/2009	Aglassinger
D342,479 S *	12/1993	Kimata	D13/103	D597,934 S	8/2009	Aglassinger
D350,111 S *	8/1994	Okumura	D13/103	D597,935 S	8/2009	Aglassinger
D378,654 S	4/1997	Matsuoka et al.		D598,373 S	8/2009	Aglassinger
5,783,998 A	7/1998	Nakajou et al.		D604,583 S	11/2009	Yamamoto et al.
D397,991 S *	9/1998	Kawakami	D13/103	D604,694 S	11/2009	Aglassinger
D412,485 S *	8/1999	Kato	D13/103	D604,695 S	11/2009	Aglassinger
D432,077 S *	10/2000	Zurwelle	D13/103	D606,935 S	12/2009	Murayama et al.
D435,013 S	12/2000	Clowers et al.		D607,814 S	1/2010	Tsuzuki et al.
D436,917 S	1/2001	Hayakawa et al.		D610,082 S	2/2010	Sweeney
D442,452 S	5/2001	Stirm et al.		D610,478 S	2/2010	Bast
6,357,533 B1	3/2002	Buchholz et al.		7,719,234 B2	5/2010	Carder et al.
D456,002 S	4/2002	Kato et al.		7,723,952 B2	5/2010	Phillips et al.
D466,777 S	12/2002	Watson		D622,660 S	8/2010	Taniguchi et al.
D466,779 S	12/2002	Shibata et al.		D622,661 S	8/2010	Yamada et al.
D466,781 S	12/2002	Matsuoka et al.		7,801,651 B2	9/2010	Iwers
D466,863 S *	12/2002	Zurwelle	D13/119	D628,454 S	12/2010	Misaki
D471,865 S	3/2003	Garvis et al.		7,868,591 B2	1/2011	Phillips et al.
D474,445 S *	5/2003	Matsuoka	D13/103	D633,036 S	2/2011	Murray
D477,811 S	7/2003	Niwa et al.		D639,730 S	6/2011	Kawase
D481,672 S	11/2003	Niwa et al.		D640,196 S	6/2011	Shuang et al.
D483,012 S	12/2003	Hsu		D640,197 S	6/2011	Park et al.
D484,458 S	12/2003	Garvis et al.		D640,975 S	7/2011	Okuda et al.
D484,850 S	1/2004	Johnson		D642,037 S	7/2011	Miller et al.
D487,426 S	3/2004	Johnson		D646,136 S	10/2011	Aglassinger
D491,438 S	6/2004	Cheung et al.		D646,947 S	10/2011	Lopano
D502,377 S	3/2005	Aglassinger		D651,560 S	1/2012	Park et al.
D504,111 S	4/2005	Ozawa et al.		8,129,955 B2	3/2012	White et al.
D504,394 S	4/2005	Cheung et al.		D657,307 S	4/2012	Zhao et al.
6,913,087 B1	7/2005	Brotto et al.		D658,578 S	5/2012	Davis
D508,643 S	8/2005	Concari et al.		D663,183 S	7/2012	Sell
D510,317 S	10/2005	Sun		D670,989 S	11/2012	Kawase et al.
D511,744 S	11/2005	Hsu et al.		8,319,475 B2	11/2012	Choksi et al.
D512,373 S	12/2005	Tsai et al.		D675,500 S	2/2013	Taniguchi et al.
D512,961 S	12/2005	Okuda et al.		D676,731 S	2/2013	Aglassinger
6,971,456 B2	12/2005	Yamada et al.		D678,025 S	3/2013	Naksen et al.
D513,730 S	1/2006	Johnson		D678,744 S	3/2013	Aoki et al.
D514,060 S	1/2006	Wong et al.		D679,161 S	4/2013	Kawase et al.
D515,377 S	2/2006	Chung et al.		D679,651 S	4/2013	Stratford
D516,504 S	3/2006	Okuda et al.		D682,192 S	5/2013	Corbin
D523,807 S	6/2006	Murayama et al.		D682,193 S	5/2013	Corbin
D525,848 S	8/2006	Kokawa		D682,194 S	5/2013	Jiang et al.
D527,971 S	9/2006	Kokawa		8,436,584 B2	5/2013	Johnson et al.
D530,270 S	10/2006	Ozawa et al.		D684,028 S	6/2013	Costoli
D535,537 S	1/2007	Aglassinger		D684,528 S	6/2013	Murray
D536,944 S	2/2007	Tsai et al.		D685,246 S	7/2013	Ratio
D539,221 S	3/2007	Johnson et al.		D685,730 S	7/2013	Hamm et al.
D544,436 S	6/2007	Kawahara et al.		D691,011 S	10/2013	Walz et al.
D545,759 S	7/2007	Ino et al.		D692,380 S	10/2013	Tirone
D550,152 S	9/2007	Okuda et al.		D699,670 S	2/2014	Cooper
7,270,910 B2	9/2007	Yahnker et al.		D700,821 S	3/2014	Tschopp
D553,562 S	10/2007	Okada et al.		D706,603 S	6/2014	Kokawa et al.
D555,086 S	11/2007	Zhang et al.		D708,496 S	7/2014	Zhou
D555,451 S	11/2007	Okuda et al.		D710,794 S	8/2014	Busschaert et al.
D556,002 S	11/2007	Ino		D716,626 S	11/2014	Sell et al.
D558,670 S	1/2008	Ritterling et al.		D718,705 S	12/2014	Naksen
D562,228 S	2/2008	Okada et al.		D722,016 S	2/2015	Beukema
D565,374 S	4/2008	Zhang		9,014,866 B2	4/2015	Moriai et al.
D568,239 S	5/2008	Okada et al.		9,112,248 B2	8/2015	Johnson et al.
D574,688 S	8/2008	Yamamoto		2003/0096158 A1	5/2003	Takano et al.
D575,224 S	8/2008	Taniguchi et al.		2005/0073282 A1	4/2005	Carrier et al.
D575,606 S	8/2008	Okouchi et al.		2008/0150474 A1	6/2008	Ball et al.
D579,868 S *	11/2008	Harrison	D13/103	2010/0176766 A1	7/2010	Brandner et al.
D580,351 S	11/2008	Elsmark et al.		2012/0037385 A1	2/2012	Suzuki et al.
D580,353 S *	11/2008	Harrison	D13/103	2012/0292070 A1	11/2012	Ito et al.
D581,235 S	11/2008	Aglassinger		2013/0026983 A1	1/2013	Yamamoto et al.
D586,639 S	2/2009	Yamamoto et al.		2014/0107853 A1	4/2014	Ashinghurst et al.
D587,547 S	3/2009	Aglassinger		2014/0159919 A1	6/2014	Furui et al.
7,508,171 B2	3/2009	Carrier et al.		2014/0159920 A1	6/2014	Furui et al.
D590,333 S	4/2009	Price et al.		2014/0210265 A1	7/2014	Thorsøe
D592,028 S	5/2009	Taniguchi et al.		2014/0368168 A1	12/2014	Beckman
D593,944 S *	6/2009	Smith	D13/119	2015/0041164 A1	2/2015	Sergyeyenko et al.
D595,101 S	6/2009	Bast		2015/0097518 A1	4/2015	Bishop et al.
D597,931 S	8/2009	Aglassinger		2015/0127186 A1	5/2015	Moriai et al.
D597,932 S	8/2009	Aglassinger		2015/0185289 A1	7/2015	Yang et al.
				2015/0214758 A1	7/2015	Toya et al.

(56)

References Cited

U.S. PATENT DOCUMENTS

2015/0280457 A1 10/2015 Jung et al.
2017/0271632 A1* 9/2017 Jenkins B25F 5/02

FOREIGN PATENT DOCUMENTS

EP	001065411-0001	1/2009
EP	001074371-0004	4/2009
EP	001193213-0001	2/2010
EP	001250559-0001	12/2010
EP	001916305-0001	9/2011
EP	002229716-0001	5/2013
EP	002239004-0001	5/2013
EP	002239004-0002	5/2013
EP	001392856-0001	1/2014
EP	002551820-0001	12/2014
EP	002674523-0001	4/2015
EP	002728105-0001	7/2015
EP	002513614-0001	9/2015
EP	002513614-0004	9/2015
EP	002773457-0001	10/2015
EP	002779694-0001	10/2015
EP	003027432-0001	3/2016
EP	003073840-0001	5/2016
EP	003073840-0002	5/2016
EP	003119973-0004	5/2016
EP	003119973-0005	5/2016
WO	WO2015061370	4/2015

* cited by examiner

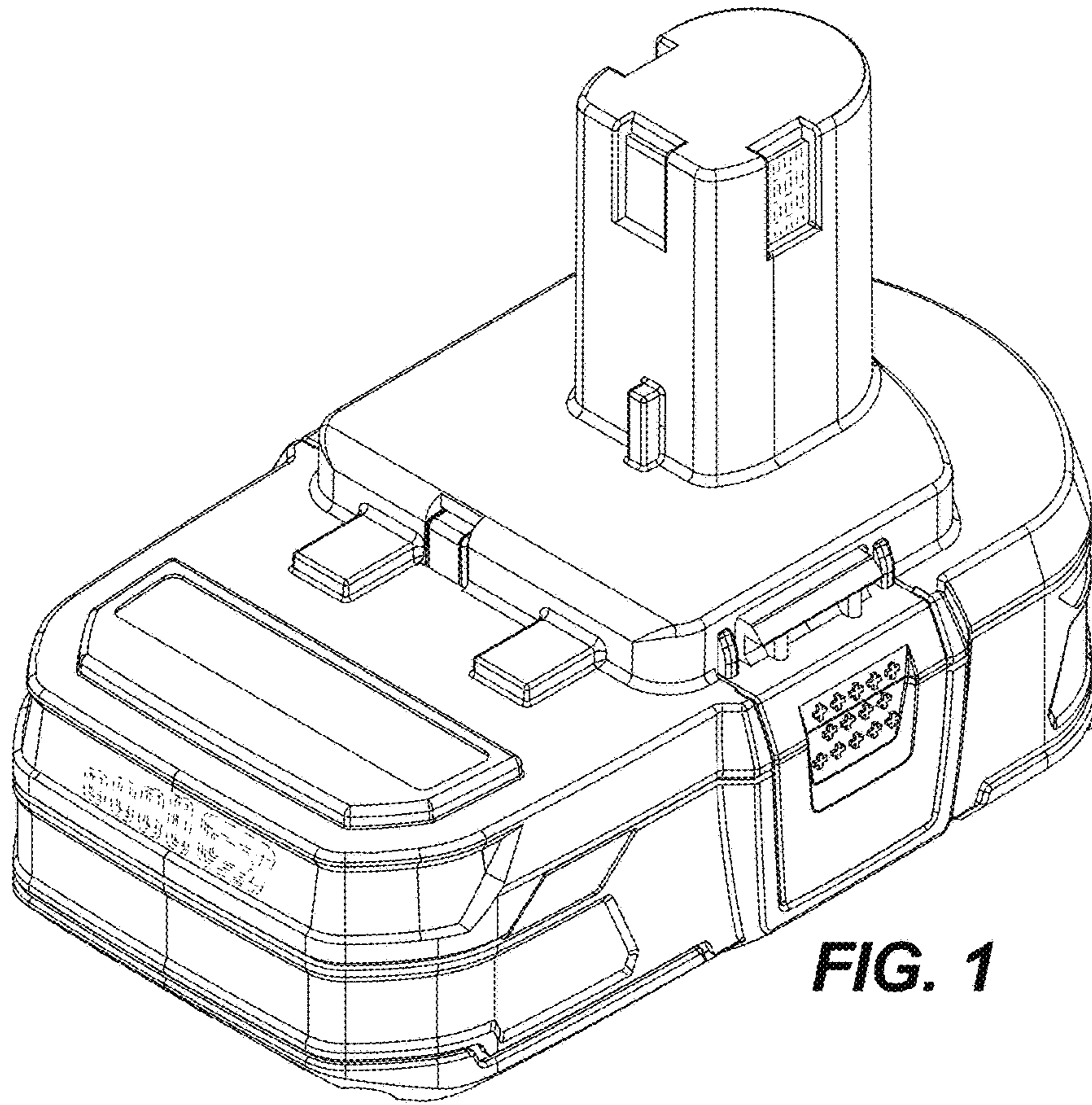


FIG. 1

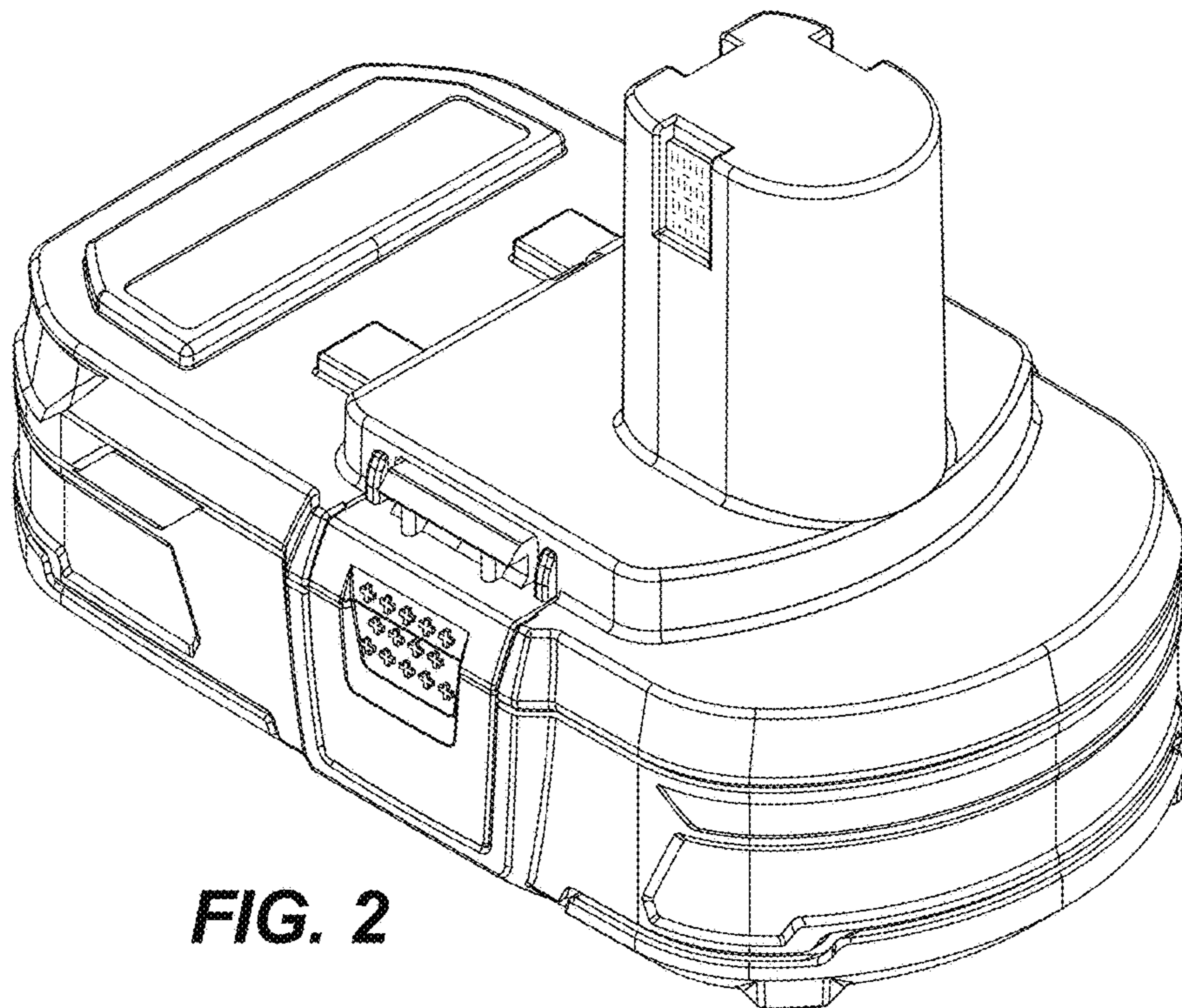


FIG. 2

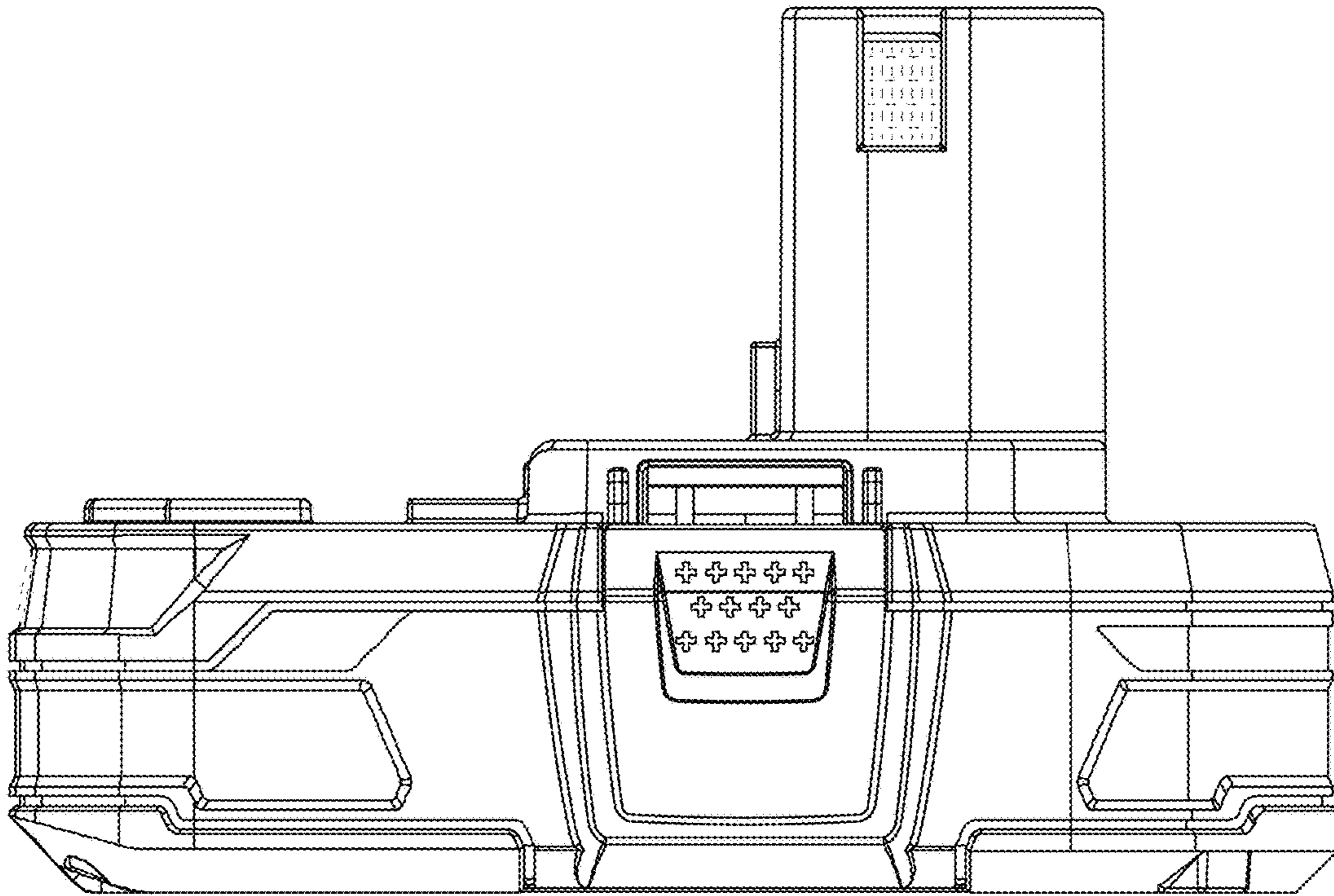


FIG. 3

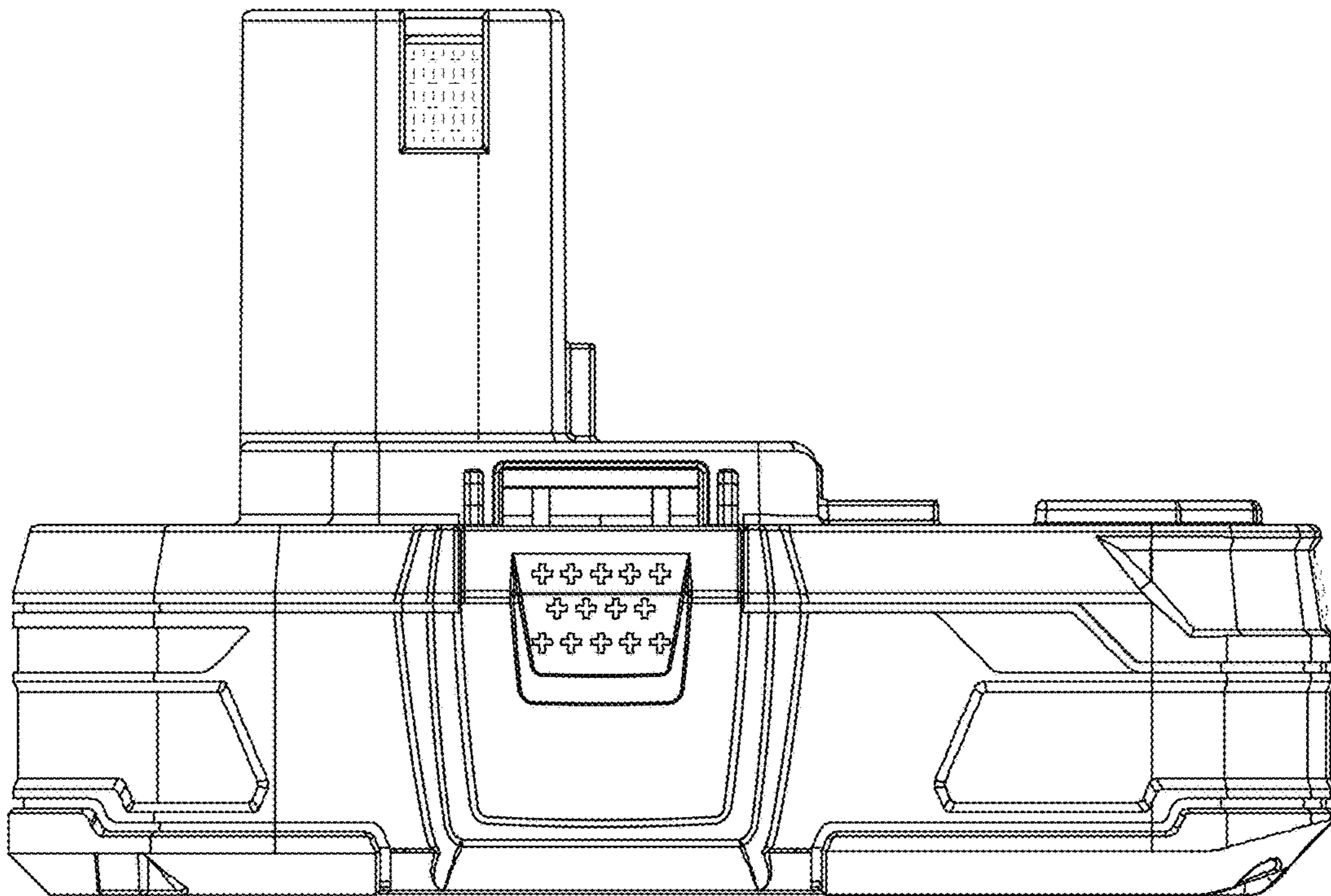


FIG. 4

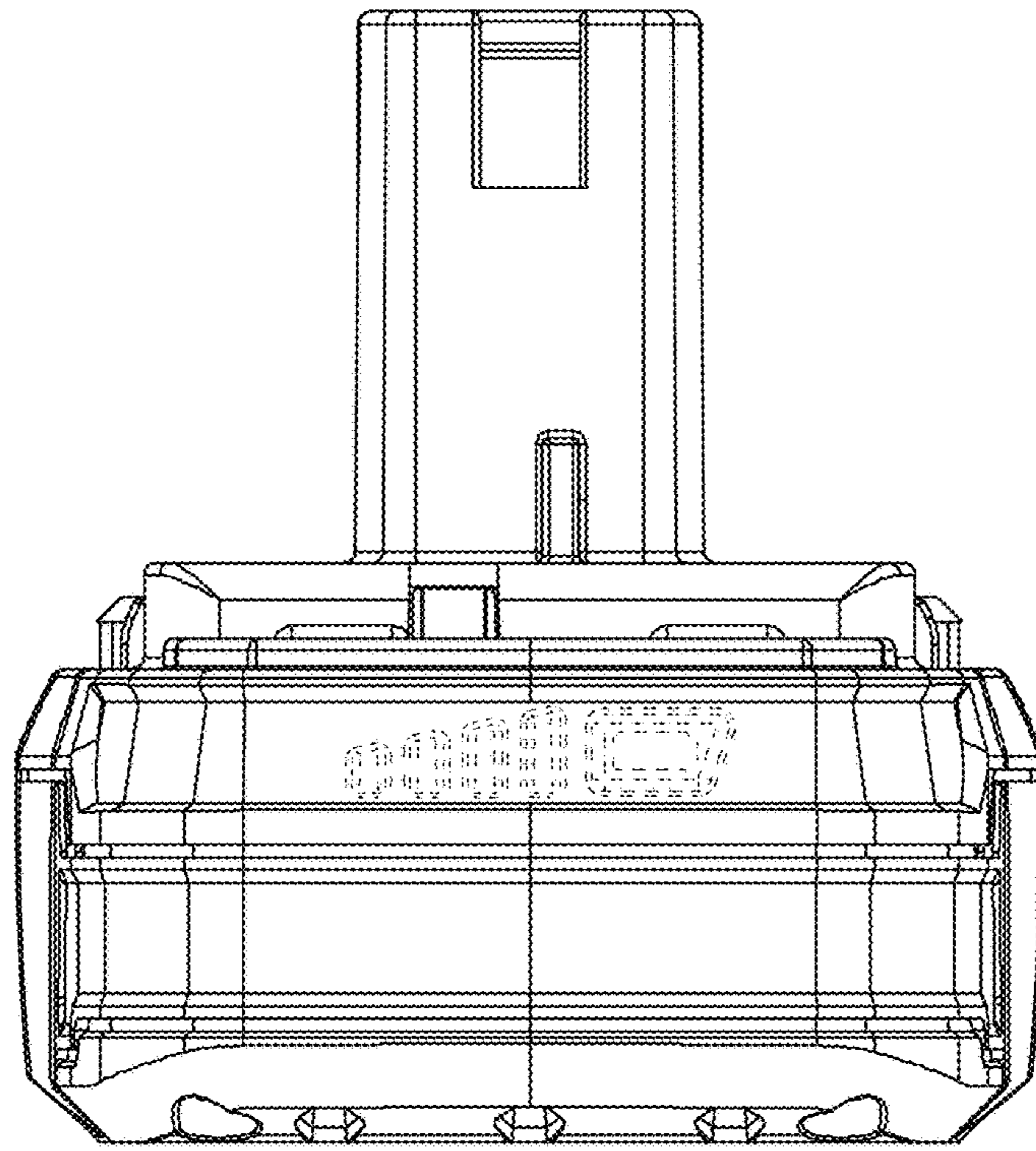


FIG. 5

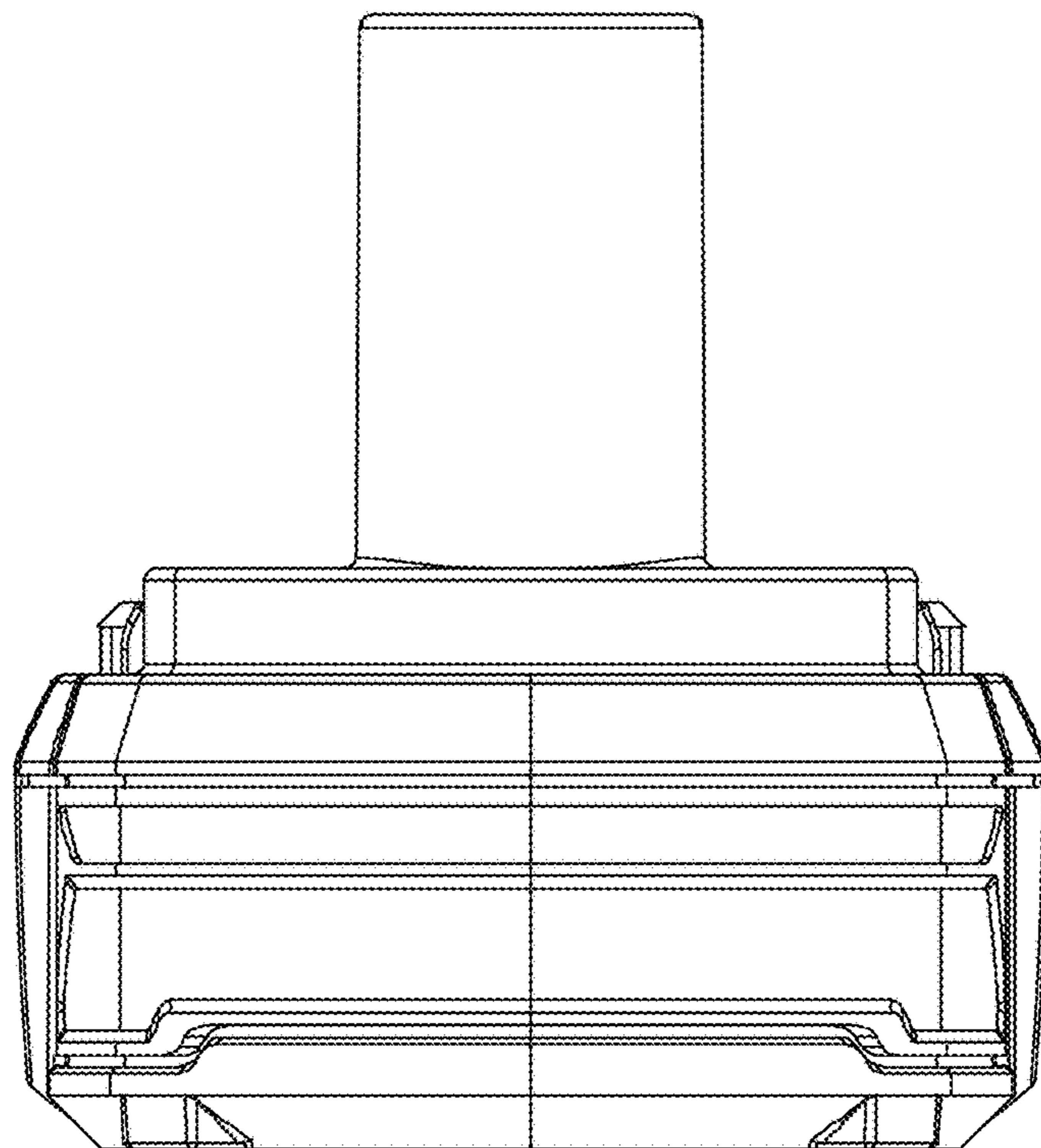


FIG. 6

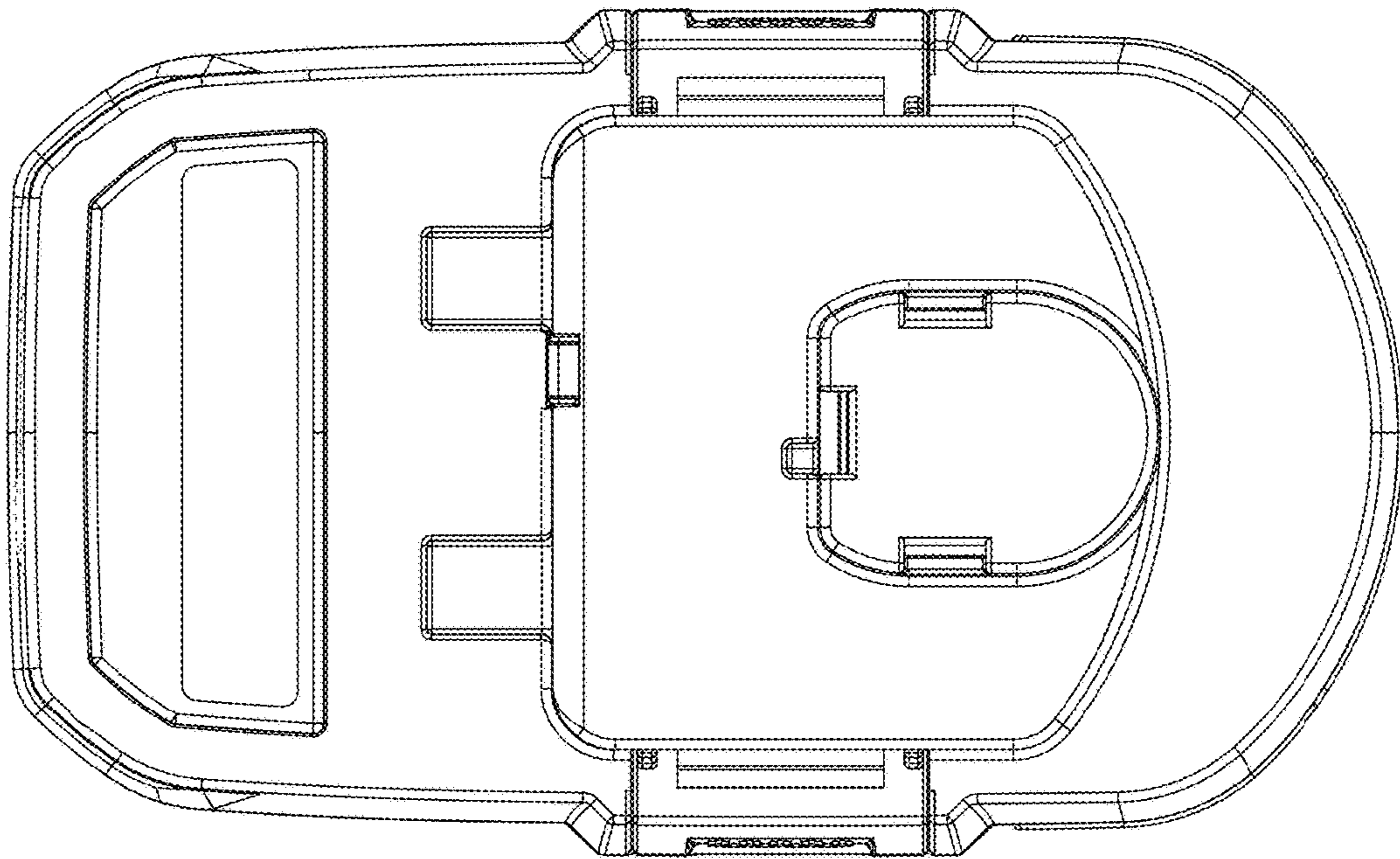


FIG. 7

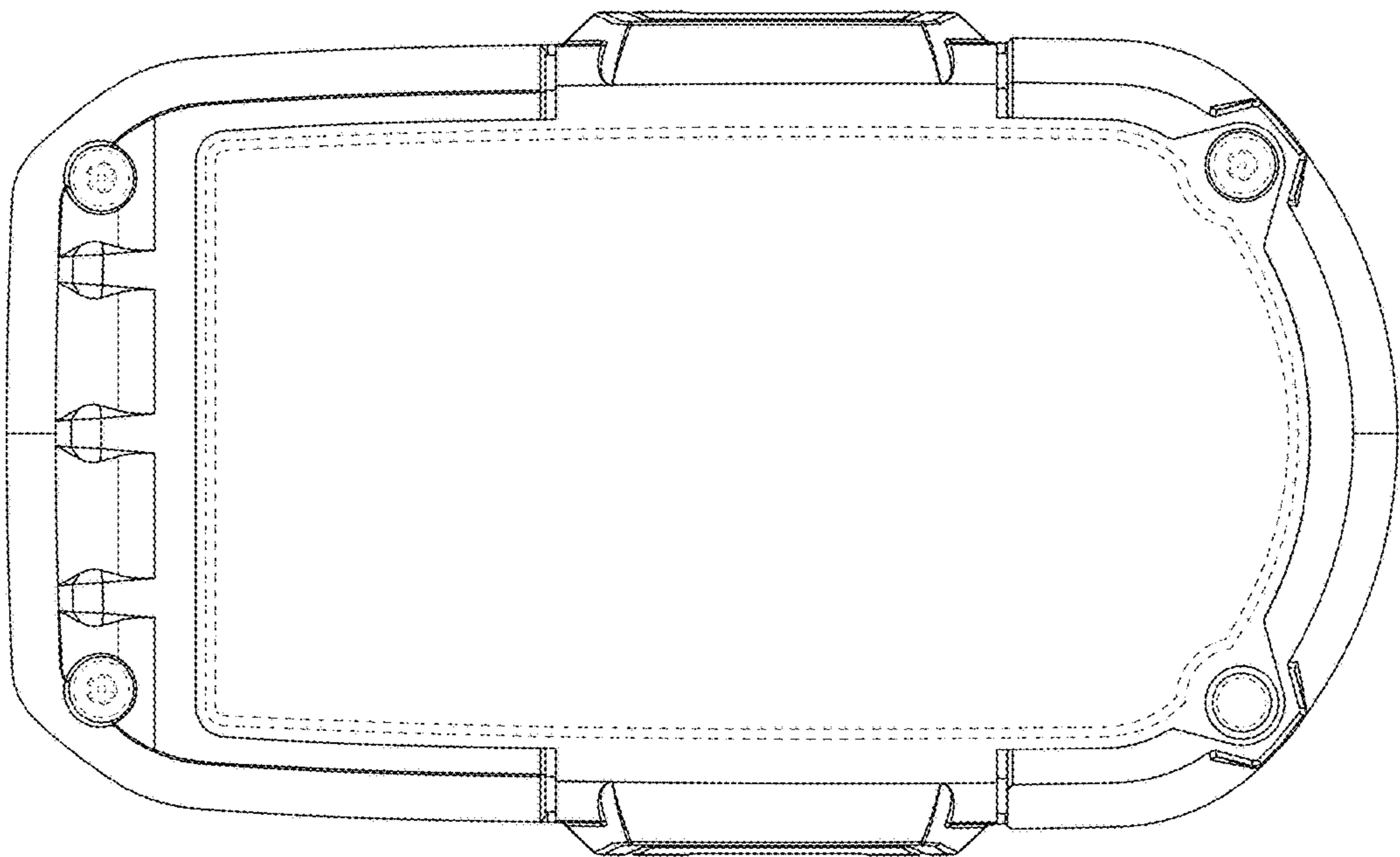


FIG. 8

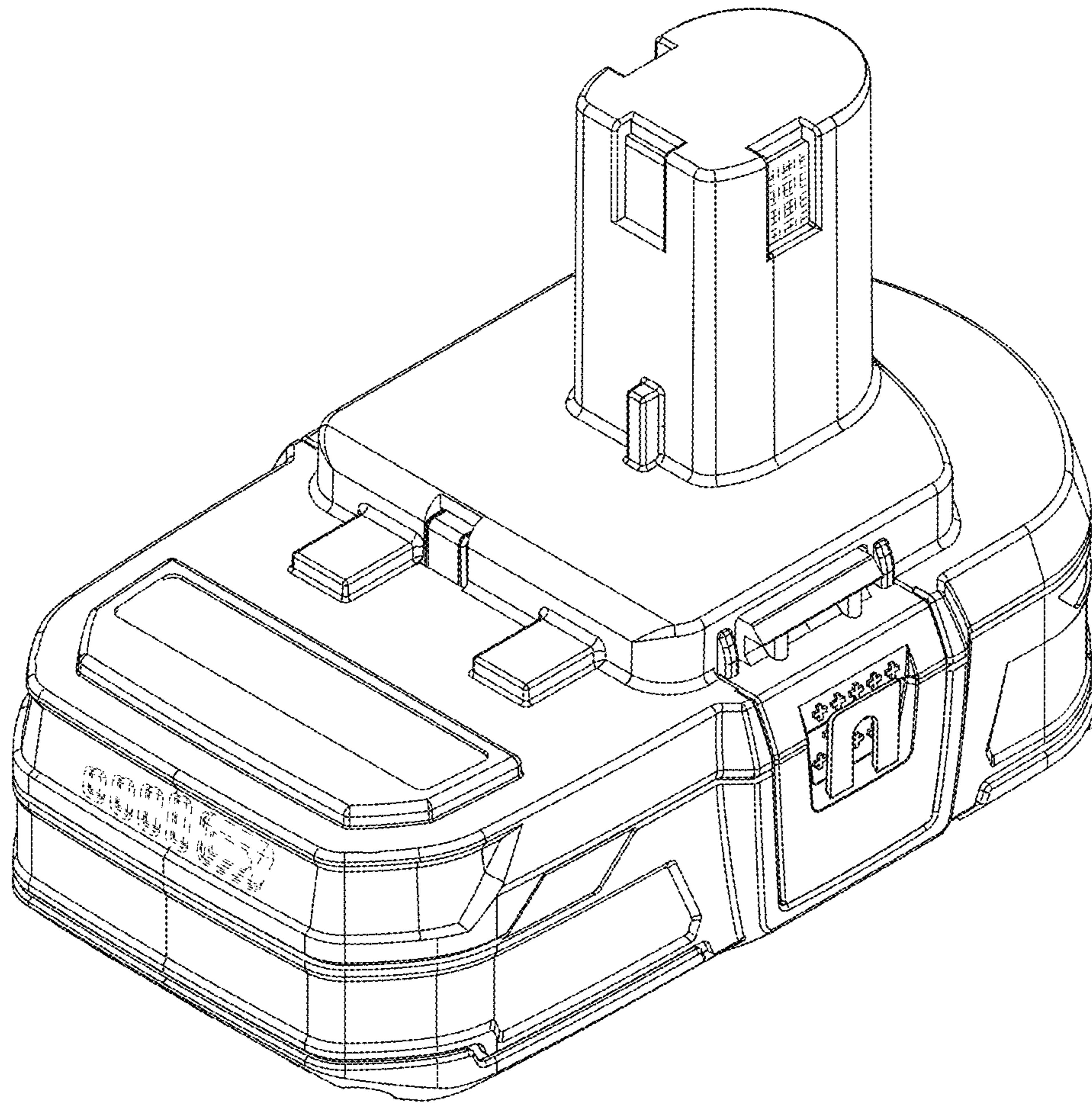


FIG. 9

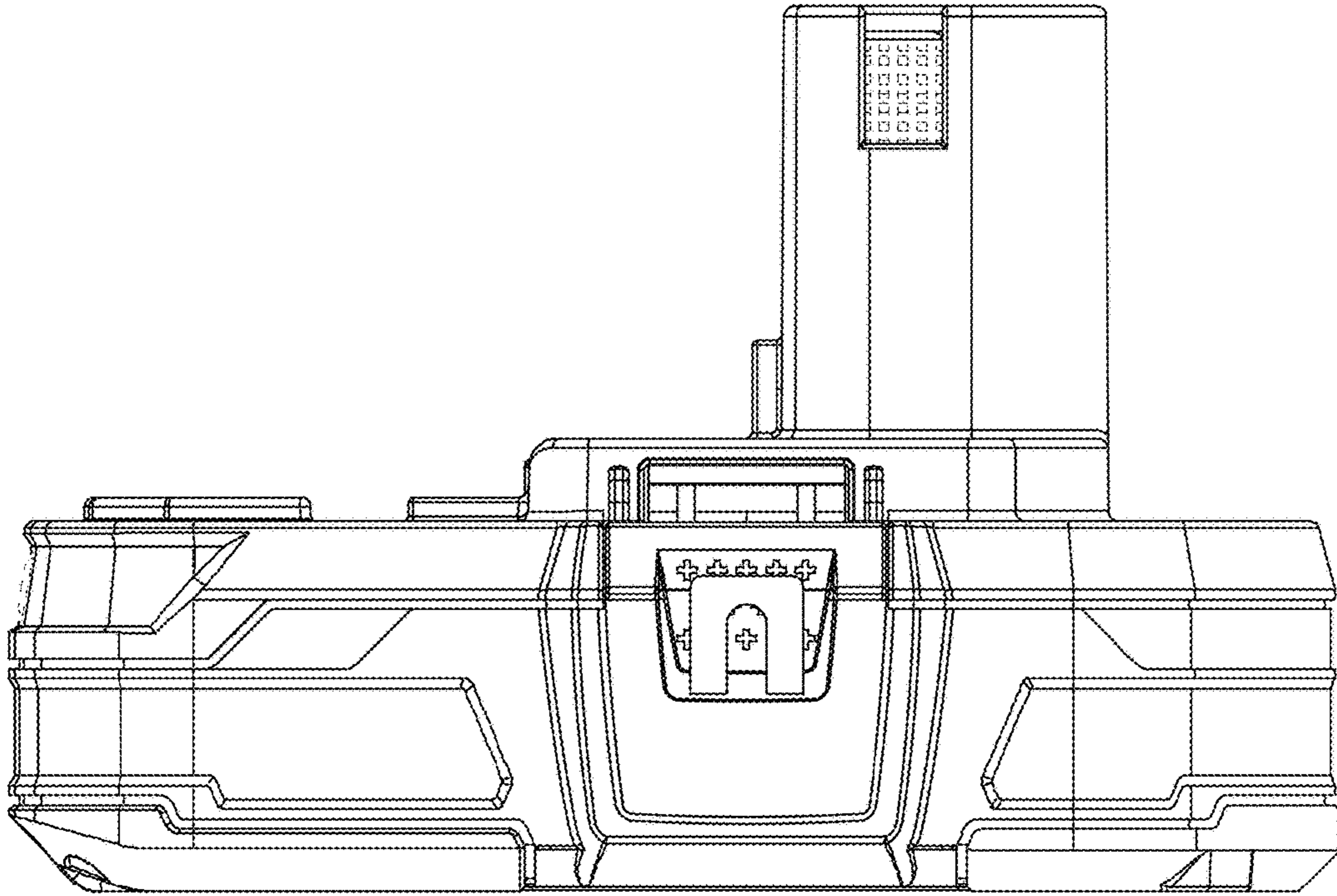


FIG. 10

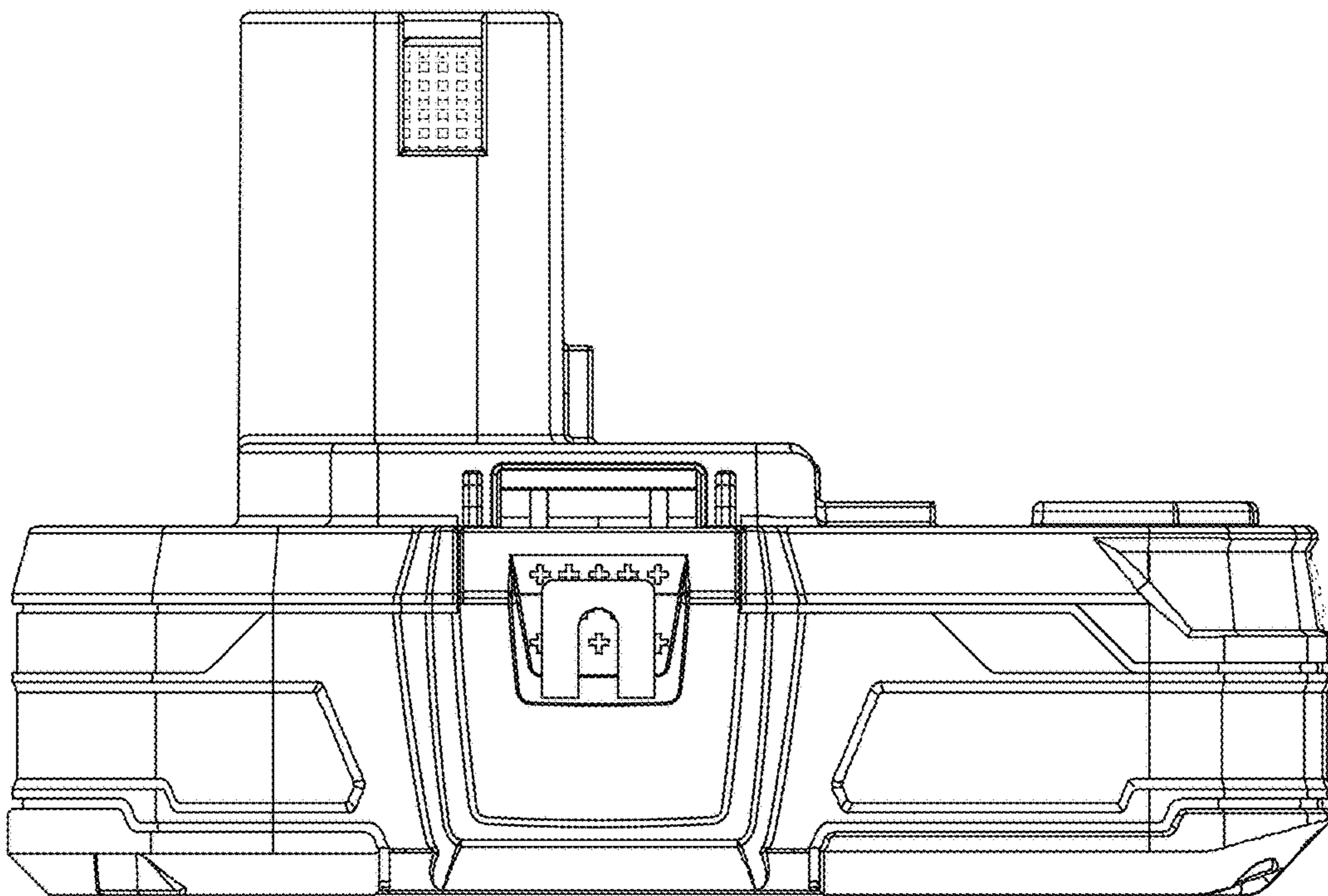


FIG. 11

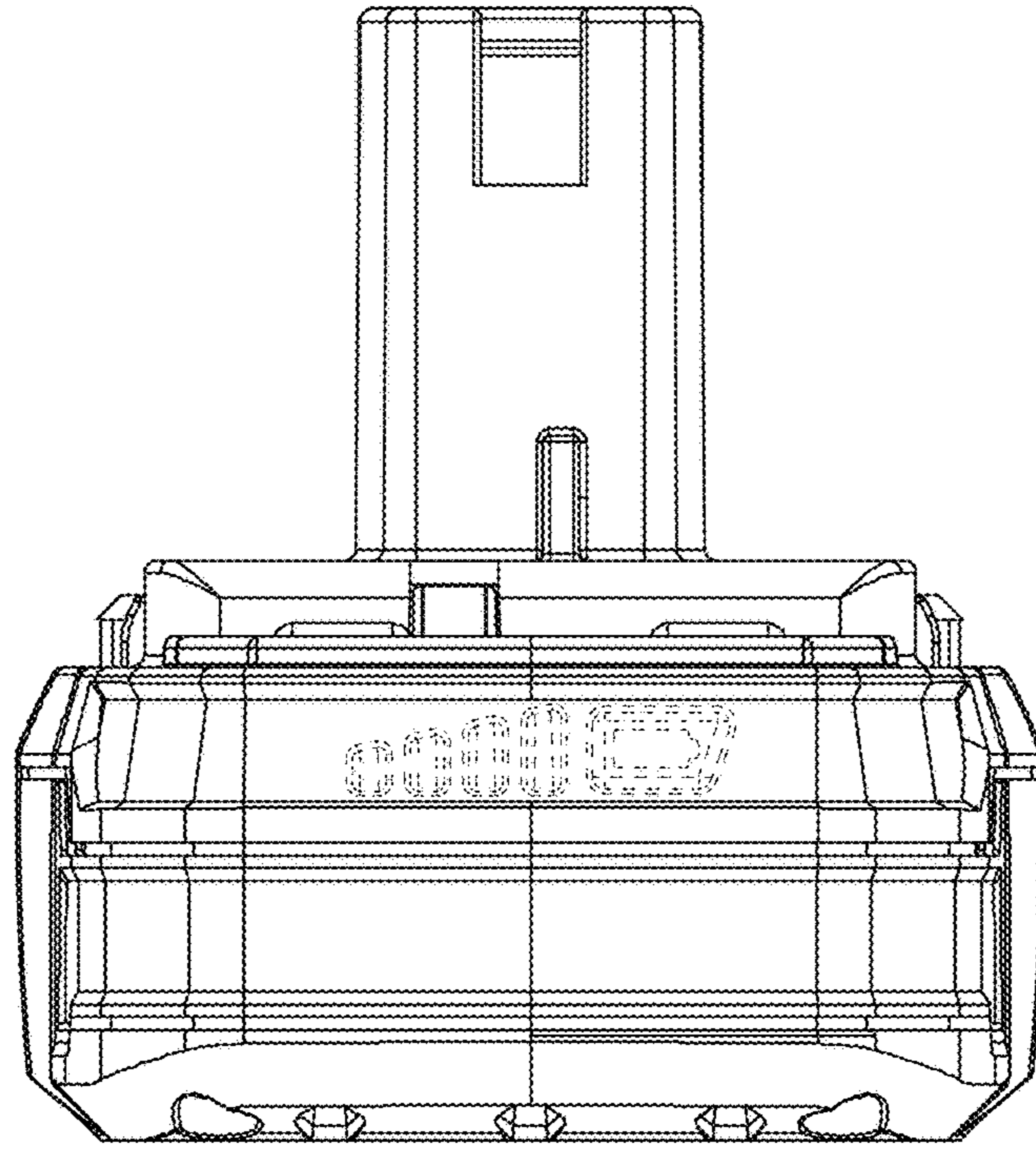


FIG. 12

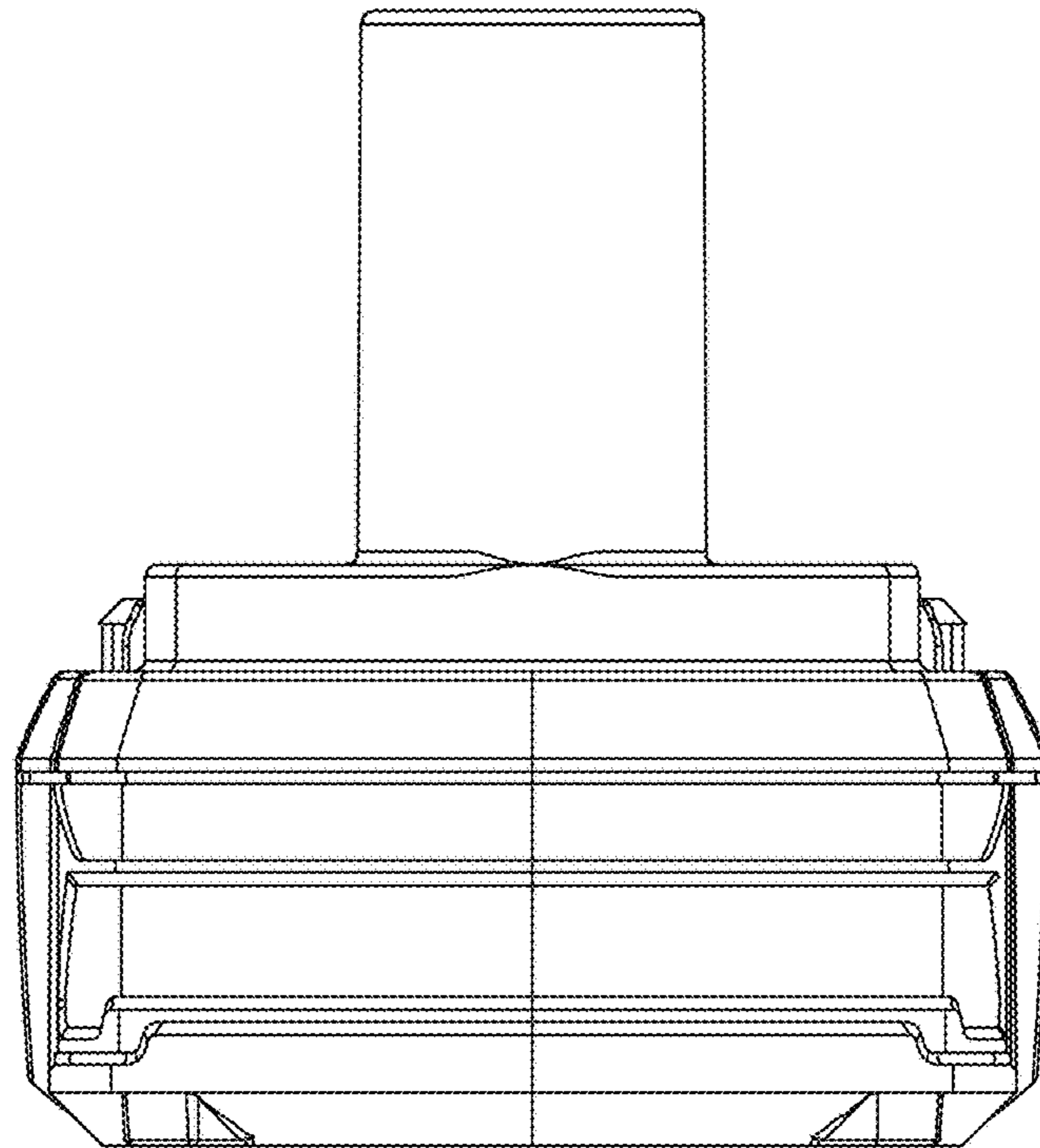


FIG. 13

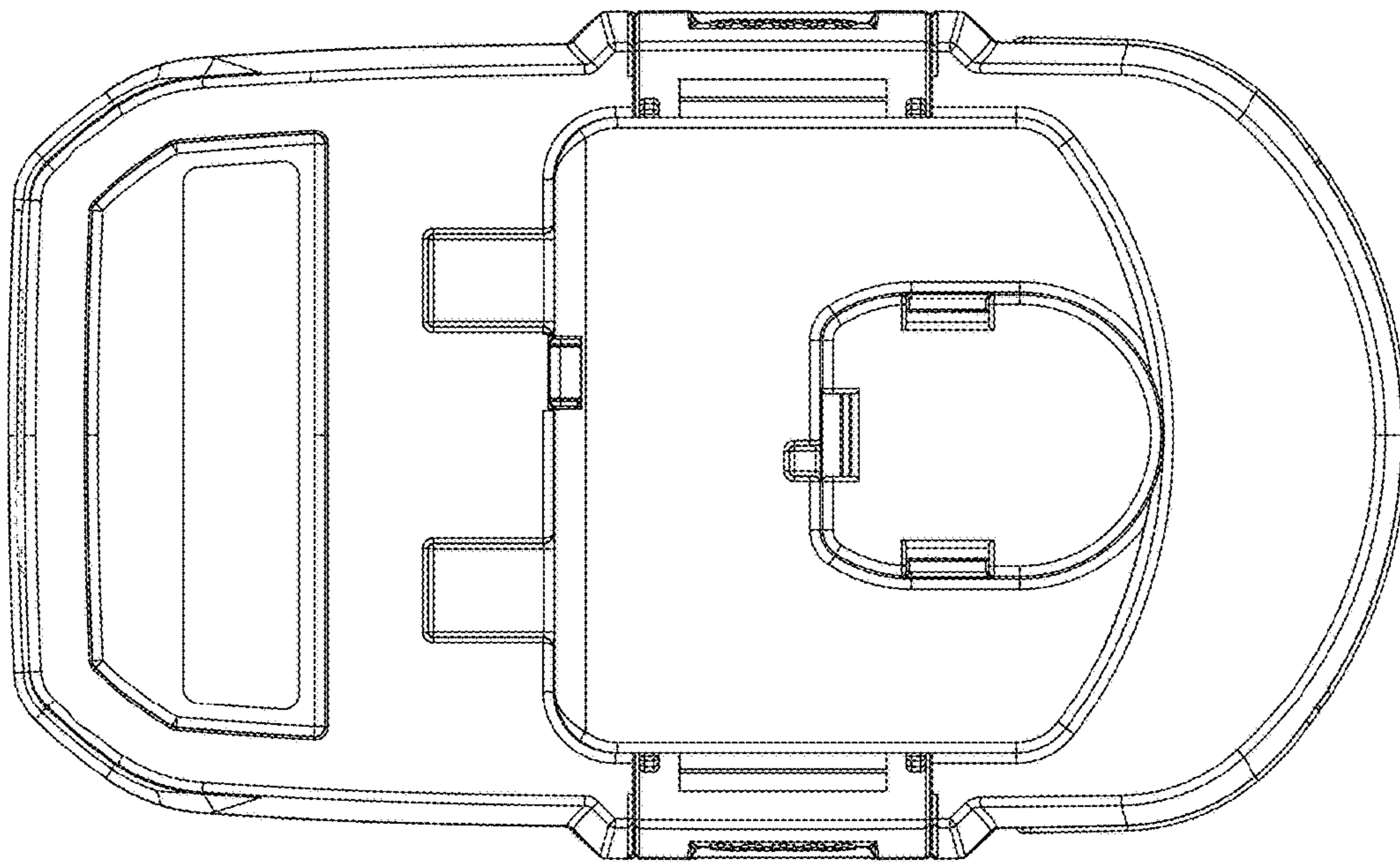


FIG. 14

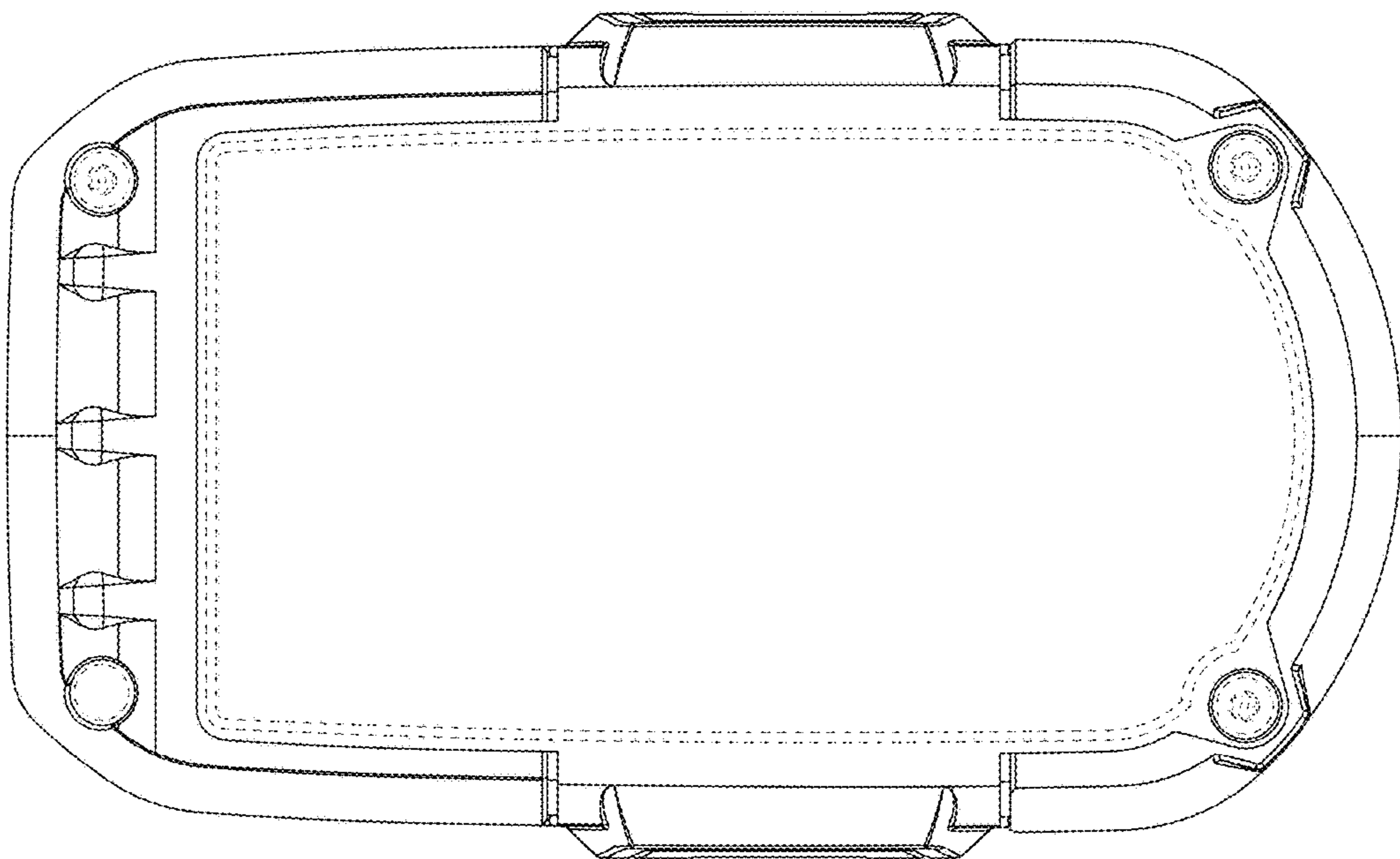


FIG. 15