



US00D858420S

(12) **United States Design Patent** (10) **Patent No.:** **US D858,420 S**
Calcedonio Boscarino et al. (45) **Date of Patent:** **** Sep. 3, 2019**

(54) **COMBINED AIRPLANE AND SCALE MODEL**

(71) Applicant: **LEONARDO S.p.A.**, Rome (IT)

(72) Inventors: **Aurelio Calcedonio Boscarino**, Turin (IT); **Alberto Beccaro**, Vercelli (IT); **Pierclaudio Iaia**, Varese (IT); **Italo Catino Nicola**, Rivoli (IT); **Diego Curletto**, Collegno (IT); **Davide De Simone**, Turin (IT); **Luciana Lo Verde**, Collegno (IT); **Paolo Di Stefano**, Turin (IT); **Silva Regis**, Rivoli (IT); **Riccardo Bagetto**, Turin (IT)

(73) Assignee: **LEONARDO S.P.A.**, Rome (IT)

(**) Term: **15 Years**

(21) Appl. No.: **29/568,311**

(22) Filed: **Jun. 16, 2016**

(30) **Foreign Application Priority Data**

Dec. 18, 2015 (EM) 002916254

(51) **LOC (12) Cl.** **12-07**

(52) **U.S. Cl.**
USPC **D12/323**

(58) **Field of Classification Search**
USPC D12/16.1, 319-345; D21/436, 441, 442, D21/443, 444, 447-454, 437
CPC B64C 2201/141; B64C 39/024; B64C 2201/127
See application file for complete search history.

(56) **References Cited**

U.S. PATENT DOCUMENTS

D91,327 S * 1/1934 Monteith et al. D12/344
D93,731 S * 10/1934 Milburn D12/341
D97,652 S * 11/1935 Swanson D12/335

D97,657 S * 11/1935 Wilson D12/336
D130,391 S * 11/1941 Ebel et al. 244/13
D130,473 S * 11/1941 Heinemann 244/13
D150,190 S * 7/1948 Albright 244/13
D304,925 S * 12/1989 Rosenthal D12/321
5,035,382 A * 7/1991 Lissaman A63H 27/00
244/120
D495,376 S * 8/2004 Zee D21/450
D597,148 S * 7/2009 Lin D21/448
D632,345 S * 2/2011 Yuen D21/450
8,123,162 B2 * 2/2012 Sirkis B64C 39/024
244/100 A
D665,331 S * 8/2012 Sands D12/319
D706,678 S * 6/2014 Earon D12/16.1
D725,548 S * 3/2015 Herald D12/16.1
9,511,858 B2 * 12/2016 Fisher B64C 39/024
9,672,748 B2 * 6/2017 Fisher G08G 5/02
D795,160 S * 8/2017 Koppenwallner D12/343
D809,448 S * 2/2018 Schmiderer D12/344
D810,621 S * 2/2018 Sadek D12/16.1

(Continued)

Primary Examiner — Marissa J Cash

(74) *Attorney, Agent, or Firm* — Merchant & Gould P.C.

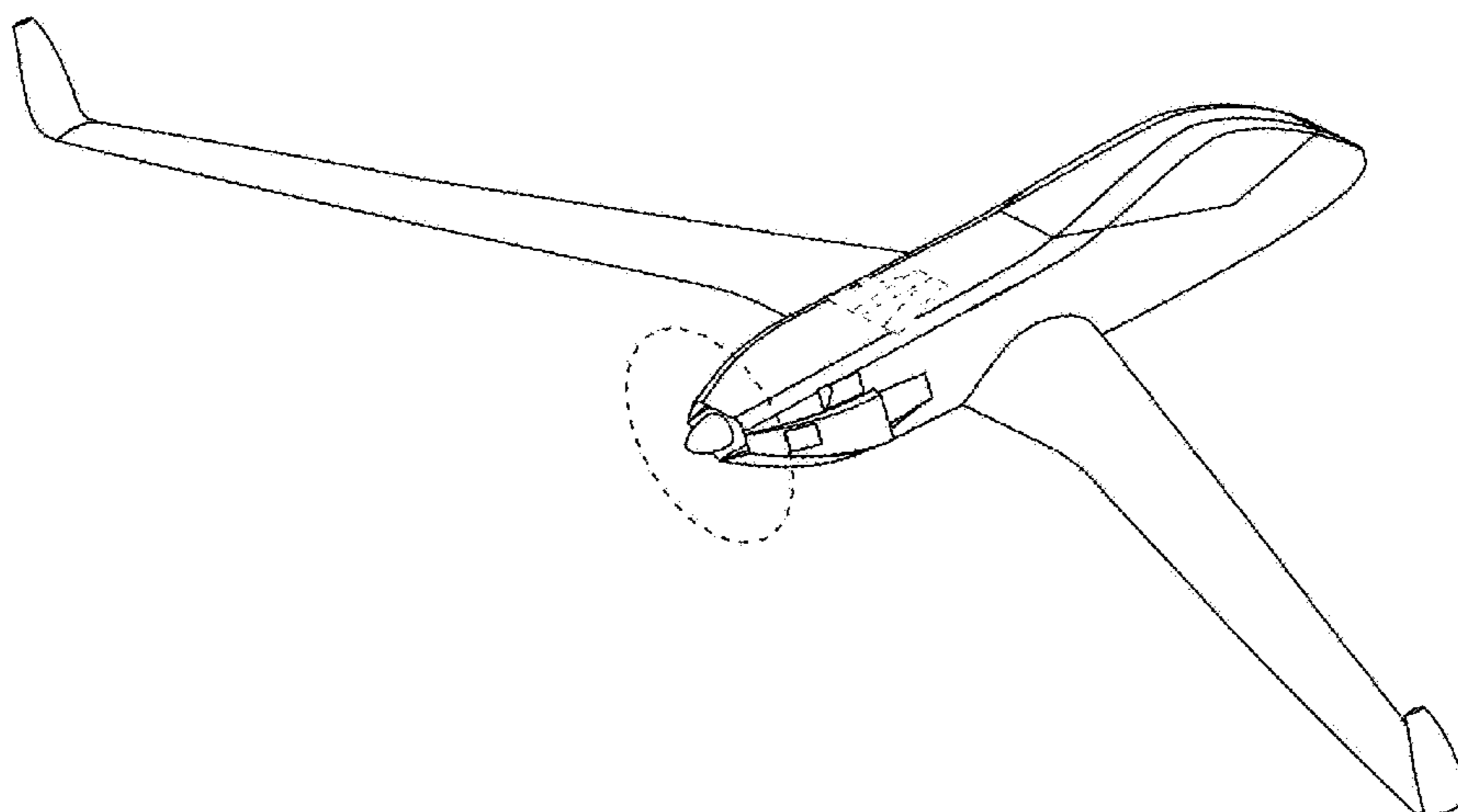
(57) **CLAIM**

The ornamental design for a combined airplane and scale model, as shown and described.

DESCRIPTION

FIG. 1 is a front side perspective view of a combined airplane and scale model showing our design; FIG. 2 is a rear side perspective view thereof; FIG. 3 is a front view thereof; FIG. 4 is a right side view thereof, a left side view not being shown as it is a mirror image of the right side view; FIG. 5 is a top plan view thereof; and, FIG. 6 is a bottom plan view thereof. The broken lines in the drawings depict portions of the combined airplane and scale model that form no part of the claimed design.

1 Claim, 6 Drawing Sheets



(56)

References Cited

U.S. PATENT DOCUMENTS

9,902,489 B2 * 2/2018 Fisher B64C 5/02
D813,143 S * 3/2018 Belik D12/326
2014/0332620 A1 * 11/2014 Earon B64C 39/024
244/13
2017/0305564 A1 * 10/2017 Pan B64D 27/24

* cited by examiner

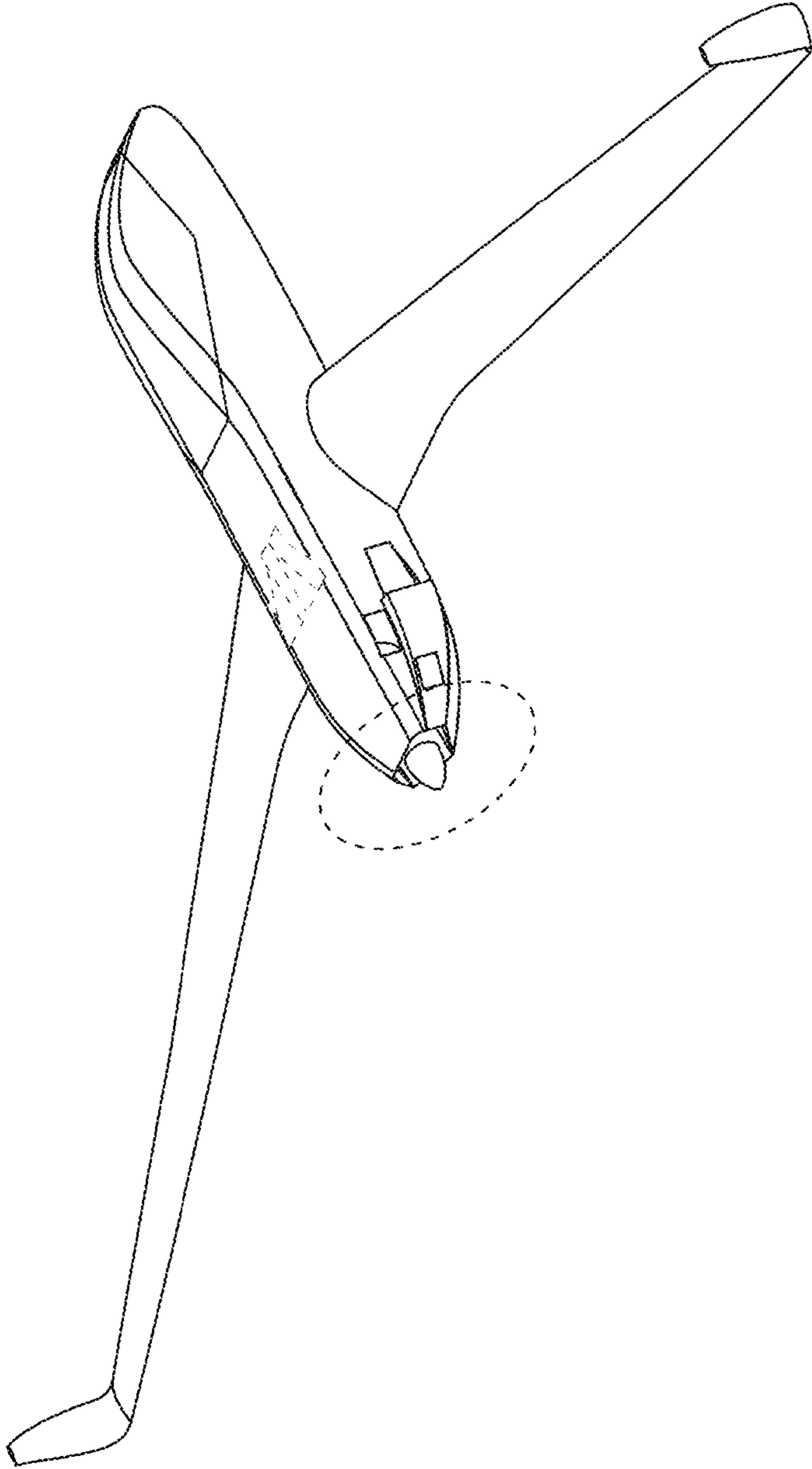


FIG. 1

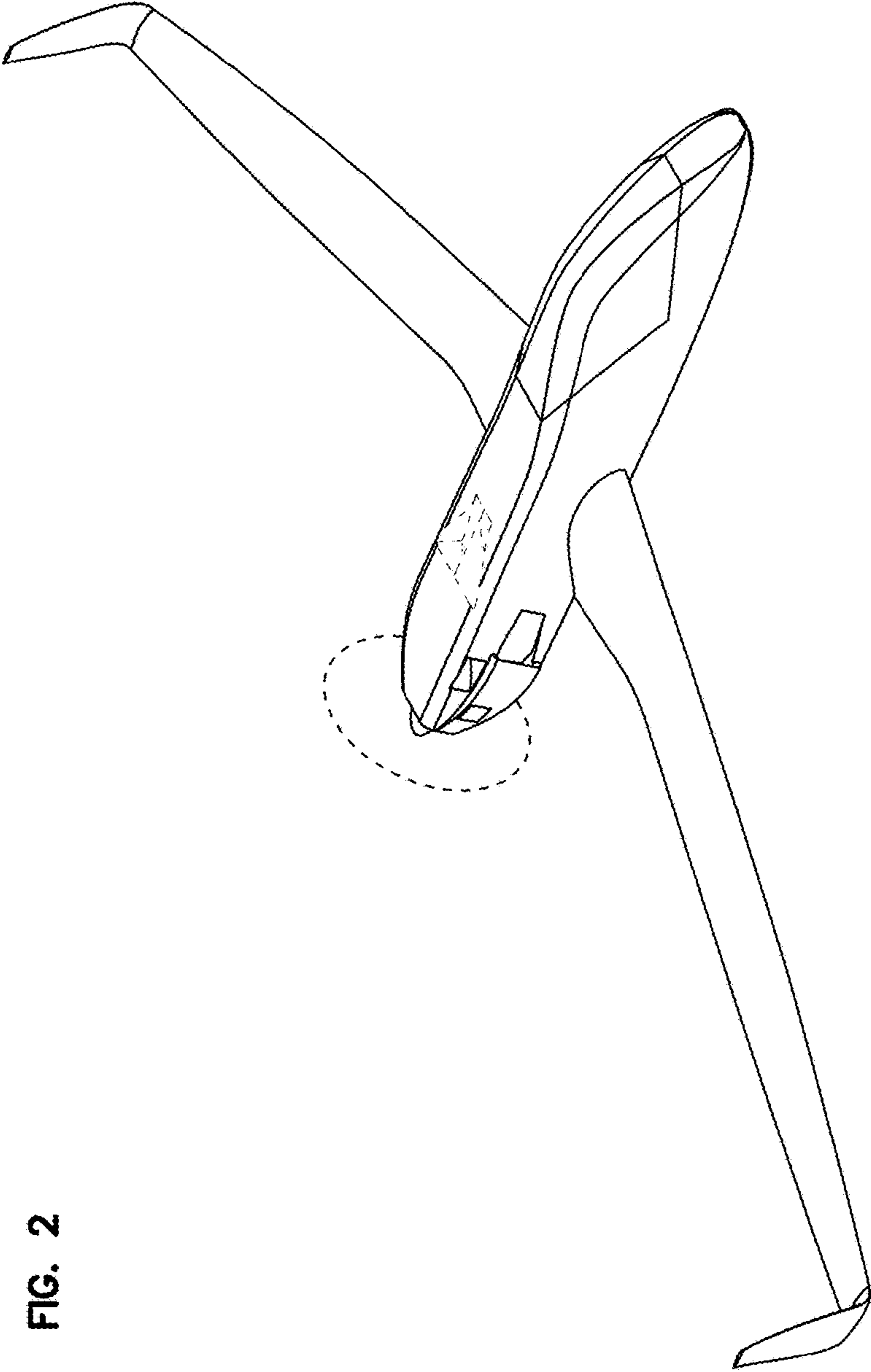
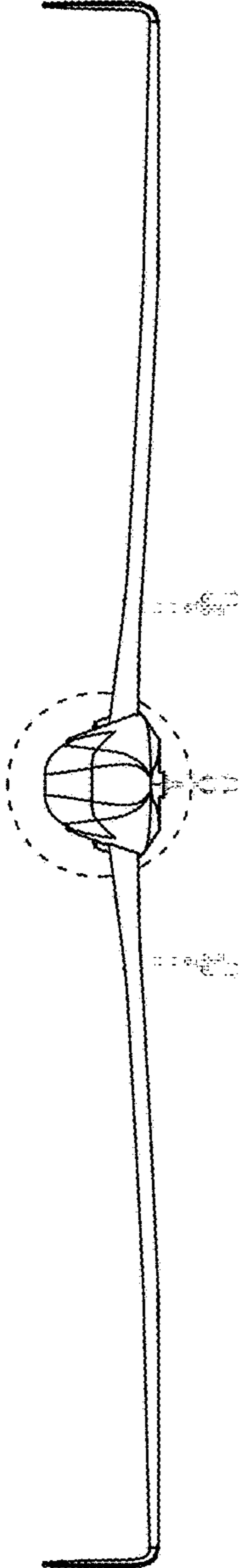


FIG. 2

FIG. 3



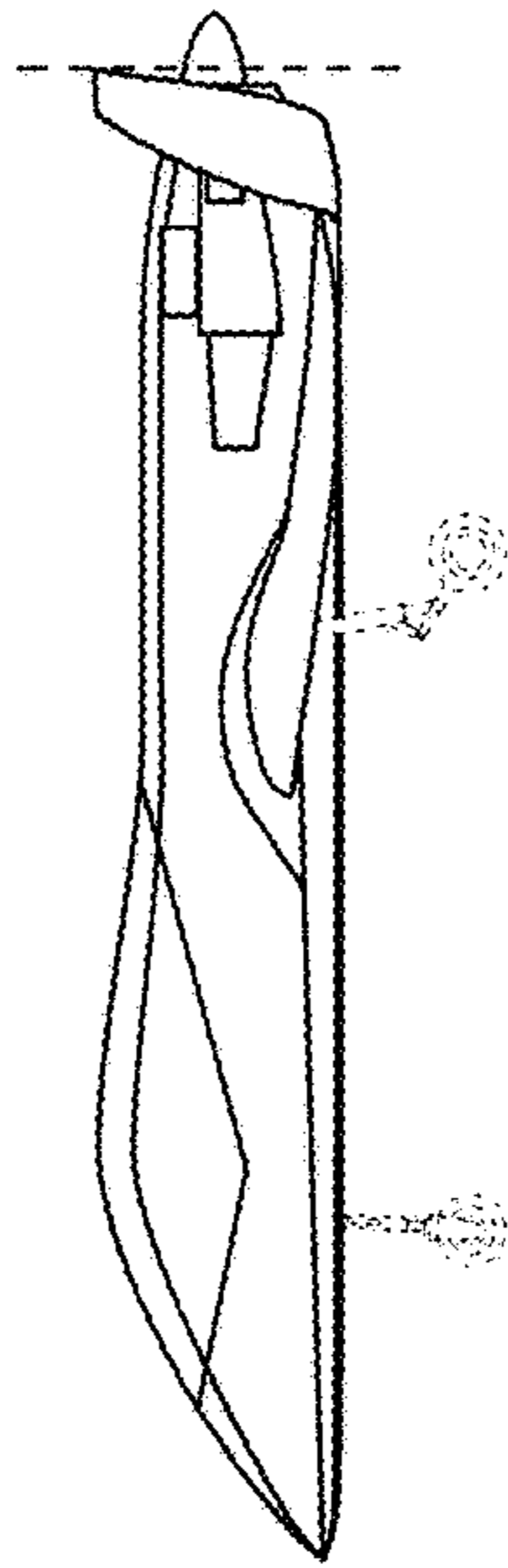


FIG. 4

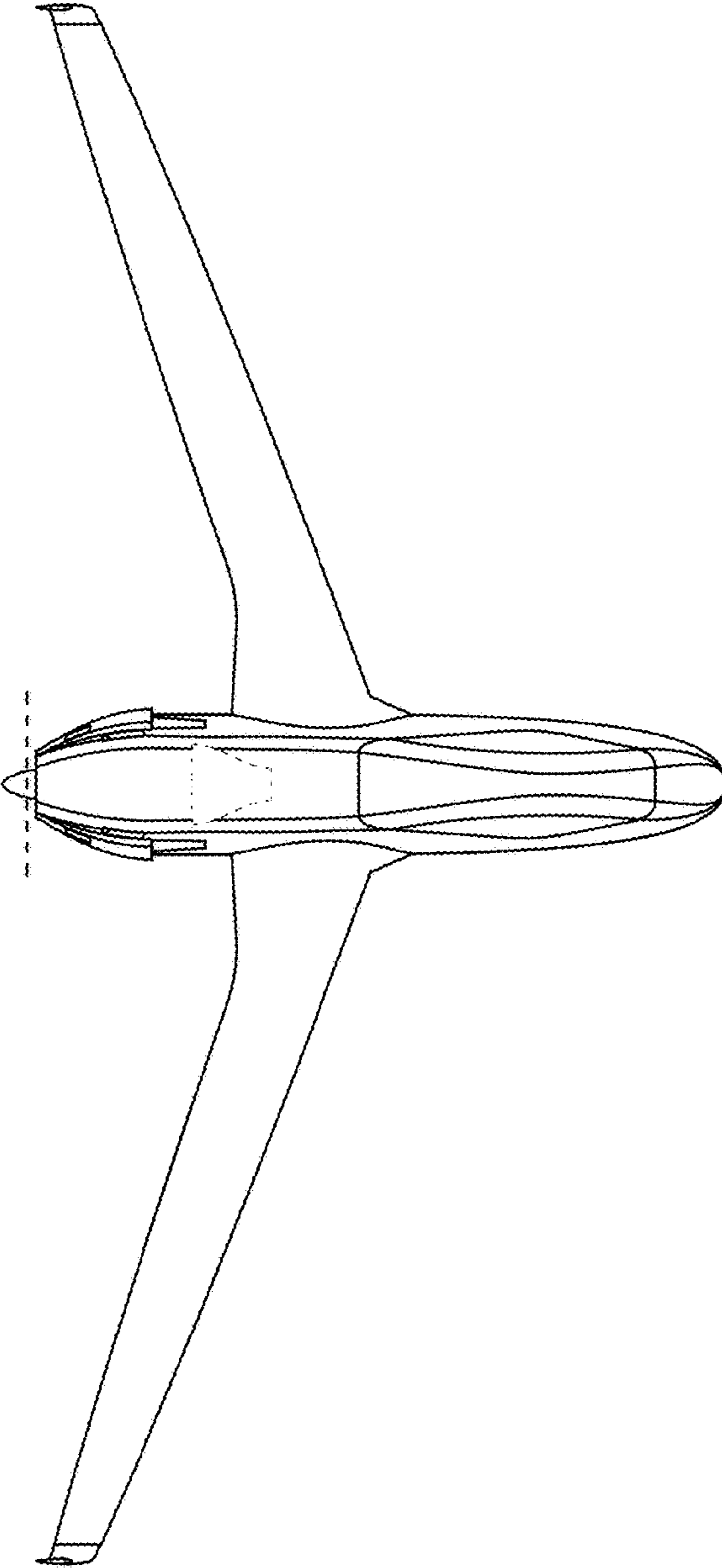


FIG. 5

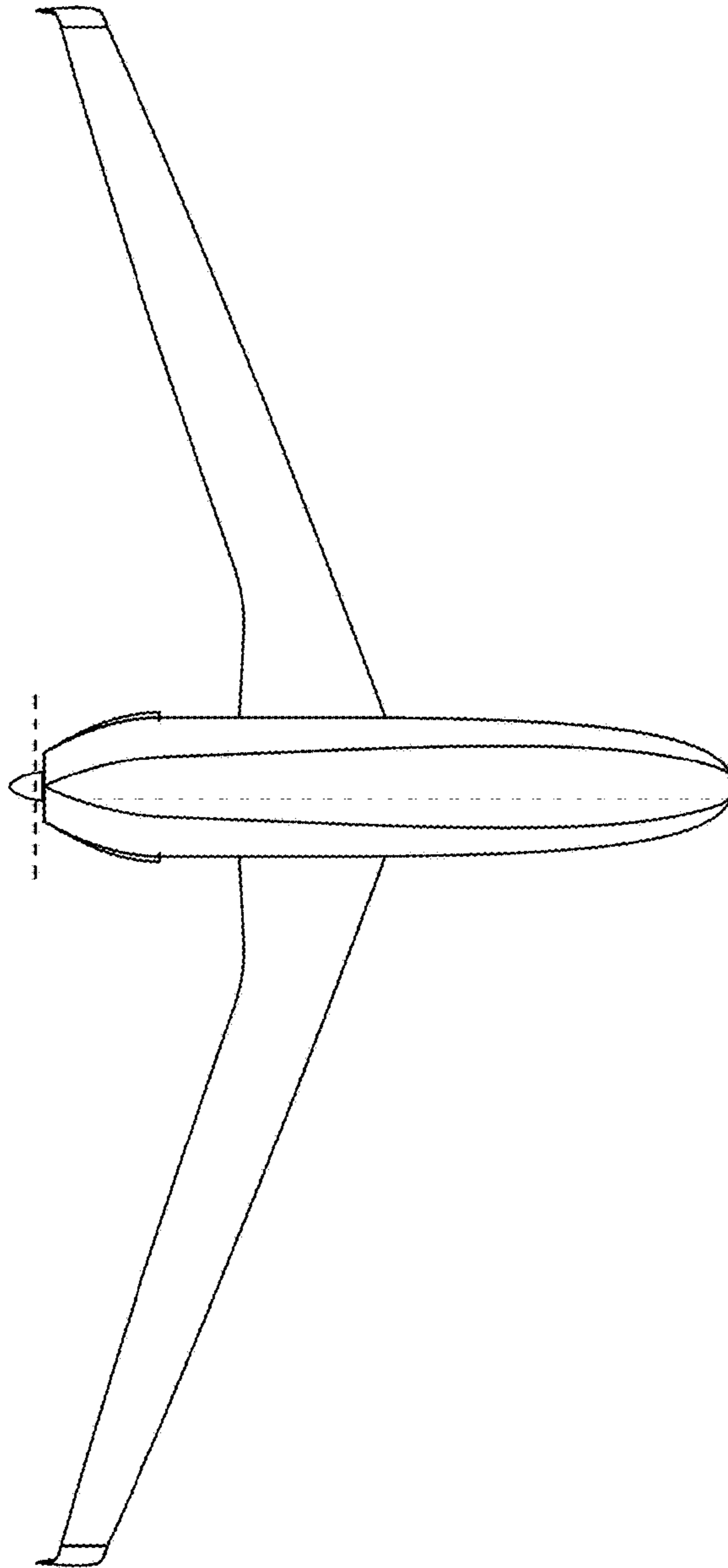


FIG. 6

UNITED STATES PATENT AND TRADEMARK OFFICE
CERTIFICATE OF CORRECTION

PATENT NO. : D858,420 S
APPLICATION NO. : 29/568311
DATED : September 3, 2019
INVENTOR(S) : Aurelio Calcedonio Boscarino

Page 1 of 1

It is certified that error appears in the above-identified patent and that said Letters Patent is hereby corrected as shown below:

On the Title Page

(72) Inventors: The last inventor's name should read --Riccardo Bargetto,-- rather than "Riccardo Bagetto,"

Signed and Sealed this
Eleventh Day of May, 2021



Drew Hirshfeld
*Performing the Functions and Duties of the
Under Secretary of Commerce for Intellectual Property and
Director of the United States Patent and Trademark Office*