



US00D858416S

(12) **United States Design Patent**  
**Dewitt et al.**

(10) **Patent No.:** **US D858,416 S**

(45) **Date of Patent:** **\*\* Sep. 3, 2019**

(54) **VEHICLE WHEEL**

(71) Applicant: **Ford Global Technologies, LLC**,  
Dearborn, MI (US)

(72) Inventors: **David Dewitt**, Docklands (AU); **Todd Willing**, East Melbourne (AU); **Max Wolff**, Birmingham, MI (US); **Pedro Guarinon**, Melbourne (AU)

(73) Assignee: **Ford Global Technologies, LLC**,  
Dearborn, MI (US)

(\*\*) Term: **15 Years**

(21) Appl. No.: **29/659,486**

(22) Filed: **Aug. 9, 2018**

(51) **LOC (12) Cl.** ..... **12-16**

(52) **U.S. Cl.**

USPC ..... **D12/211**

(58) **Field of Classification Search**

USPC ..... D12/204–213

CPC .... B60B 7/00; B60B 7/02; B60B 7/04; B60B 7/01; B60B 7/06; B60B 3/02; B60B 3/04; B60B 3/06; B60B 3/10; B60B 1/00; B60B 1/08; B60B 1/10; B60B 1/12

See application file for complete search history.

(56) **References Cited**

U.S. PATENT DOCUMENTS

D487,418 S \* 3/2004 Hieke ..... D12/211  
D614,112 S \* 4/2010 Tant ..... D12/211

D713,316 S \* 9/2014 Song ..... D12/211  
D736,135 S \* 8/2015 Grake ..... D12/211  
D753,573 S \* 4/2016 Watkin ..... D12/211  
D758,279 S \* 6/2016 Platto ..... D12/211  
D761,182 S \* 7/2016 Valencia Pollex ..... D12/211  
D764,372 S \* 8/2016 Behmer ..... D12/211  
D769,170 S \* 10/2016 Johnson ..... D12/211  
D786,161 S \* 5/2017 Vartola ..... D12/211  
D796,410 S \* 9/2017 Churchill ..... D12/211  
D799,395 S \* 10/2017 Chung ..... D12/209  
D803,754 S \* 11/2017 Chung ..... D12/211  
D826,820 S \* 8/2018 Bucher ..... D12/209  
D826,822 S \* 8/2018 Woodhouse ..... D12/209  
D830,940 S \* 10/2018 Peat ..... D12/211  
D845,857 S \* 4/2019 Han ..... D12/209  
D846,473 S \* 4/2019 Woodhouse ..... D12/209

\* cited by examiner

*Primary Examiner* — Stacia A Cadmus

(74) *Attorney, Agent, or Firm* — Vichit Chea

(57) **CLAIM**

The ornamental design for a vehicle wheel, as shown and described.

**DESCRIPTION**

FIG. 1 is a front view of a vehicle wheel showing our new design;

FIG. 2 is a cross sectional side view thereof, taken along 2-2 in FIG. 1; and,

FIG. 3 is a side perspective view thereof.

Any broken lines represent an internal boundary of the design; the line itself and the area within form no part of the claim.

**1 Claim, 3 Drawing Sheets**

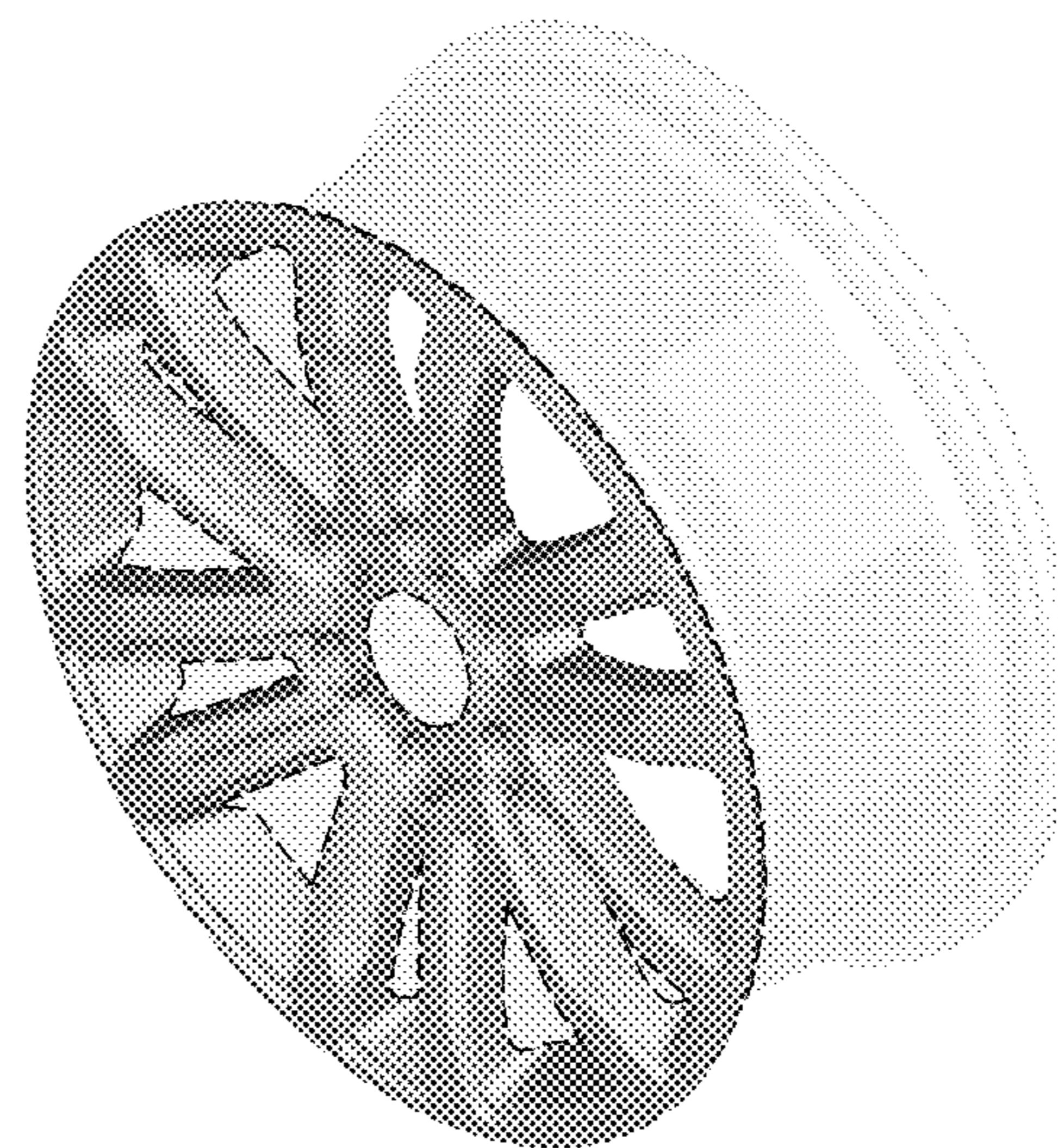
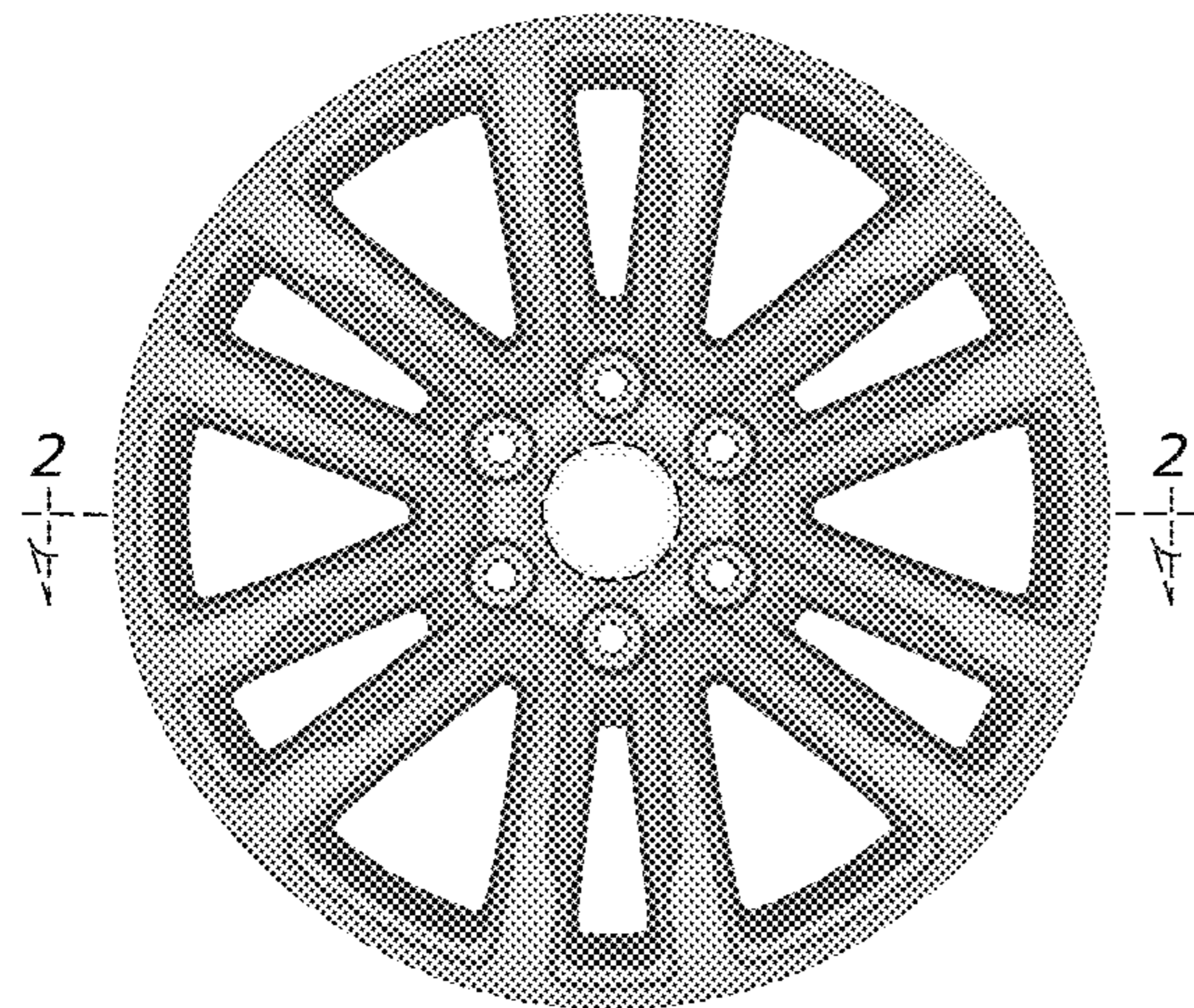






Fig. 1



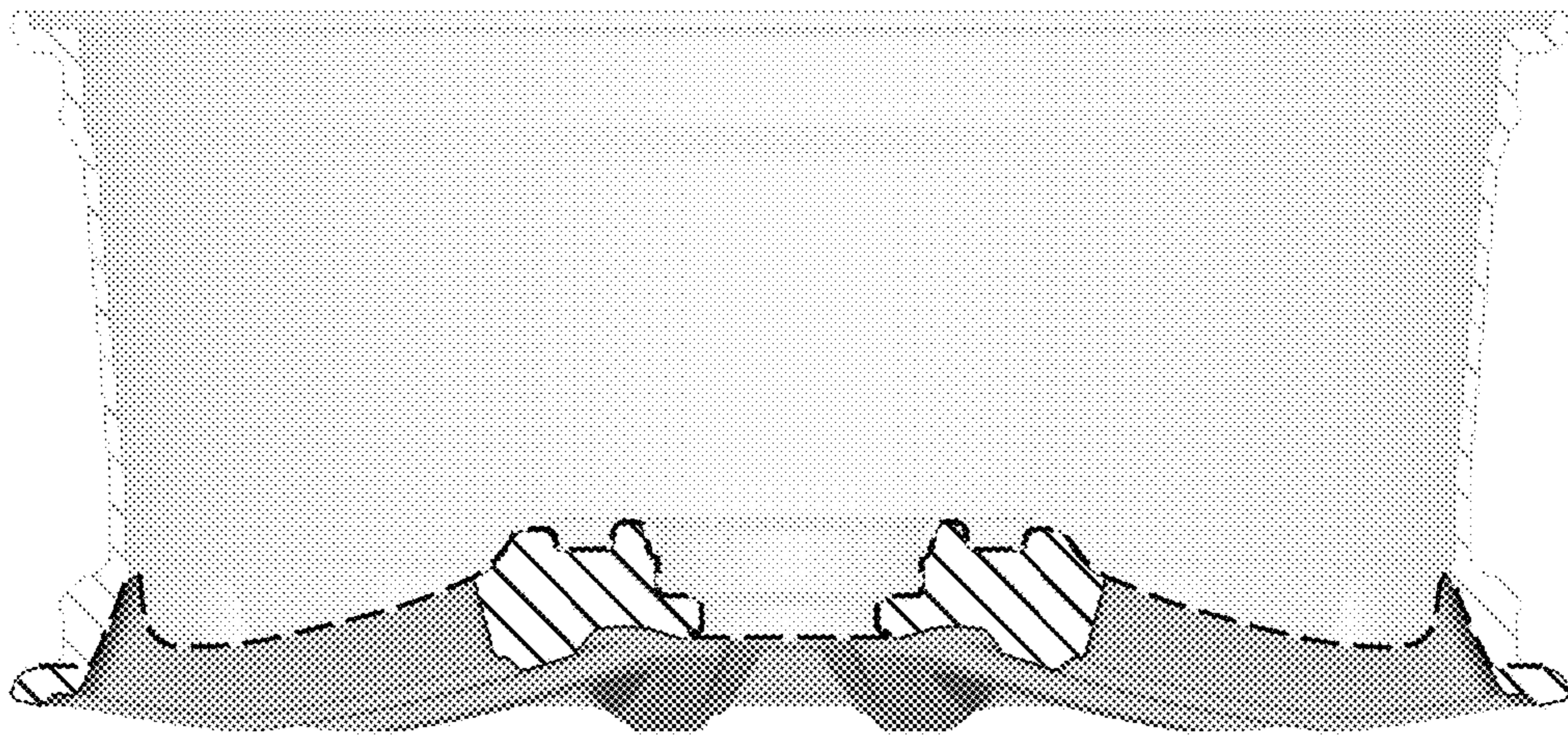


Fig. 2



Fig. 3