



US00D858412S

(12) **United States Design Patent**  
**Daniel**

(10) **Patent No.:** **US D858,412 S**

(45) **Date of Patent:** **\*\* Sep. 3, 2019**

(54) **VEHICLE WHEEL RIM**

(71) Applicant: **AUDI AG**, Ingolstadt (DE)

(72) Inventor: **Tünde Daniel**, Ingolstadt (DE)

(73) Assignee: **AUDI AG**, Ingolstadt (DE)

(\*\*) Term: **15 Years**

(21) Appl. No.: **29/661,941**

(22) Filed: **Aug. 31, 2018**

(30) **Foreign Application Priority Data**

May 17, 2018 (EM) ..... 005270907

(51) **LOC (12) Cl.** ..... **12-16**

(52) **U.S. Cl.**  
USPC ..... **D12/209**

(58) **Field of Classification Search**  
USPC ..... D12/204-213  
CPC .... B60B 7/00; B60B 7/02; B60B 7/04; B60B  
7/01; B60B 7/06; B60B 3/02; B60B 3/04;  
B60B 3/06; B60B 3/10; B60B 1/00;  
B60B 1/08; B60B 1/10; B60B 1/12  
See application file for complete search history.

(56) **References Cited**

**U.S. PATENT DOCUMENTS**

D648,254 S \* 11/2011 Barry ..... D12/209  
D649,504 S \* 11/2011 Platto ..... D12/209

D672,702 S \* 12/2012 Pollmann ..... D12/211  
D674,330 S \* 1/2013 Kito ..... D12/209  
D682,179 S \* 5/2013 Badstuebner ..... D12/211  
D731,390 S \* 6/2015 Kobayashi ..... D12/211  
D751,019 S \* 3/2016 Behmer ..... D12/211  
D756,883 S \* 5/2016 Valencia Pollex ..... D12/211  
D765,572 S \* 9/2016 Umehara ..... D12/209  
D791,039 S \* 7/2017 Rueckheim ..... D12/209  
D797,635 S \* 9/2017 Rueckheim ..... D12/209  
D799,395 S \* 10/2017 Chung ..... D12/209  
D805,457 S \* 12/2017 Setter ..... D12/211  
D808,324 S \* 1/2018 Ninov ..... D12/211  
D818,927 S \* 5/2018 Valencia Pollex ..... D12/209  
D849,648 S \* 5/2019 Kraljevic ..... D12/209

\* cited by examiner

*Primary Examiner* — Stacia A Cadmus

(74) *Attorney, Agent, or Firm* — Lucas & Mercanti, LLP;  
Klaus P. Stoffel

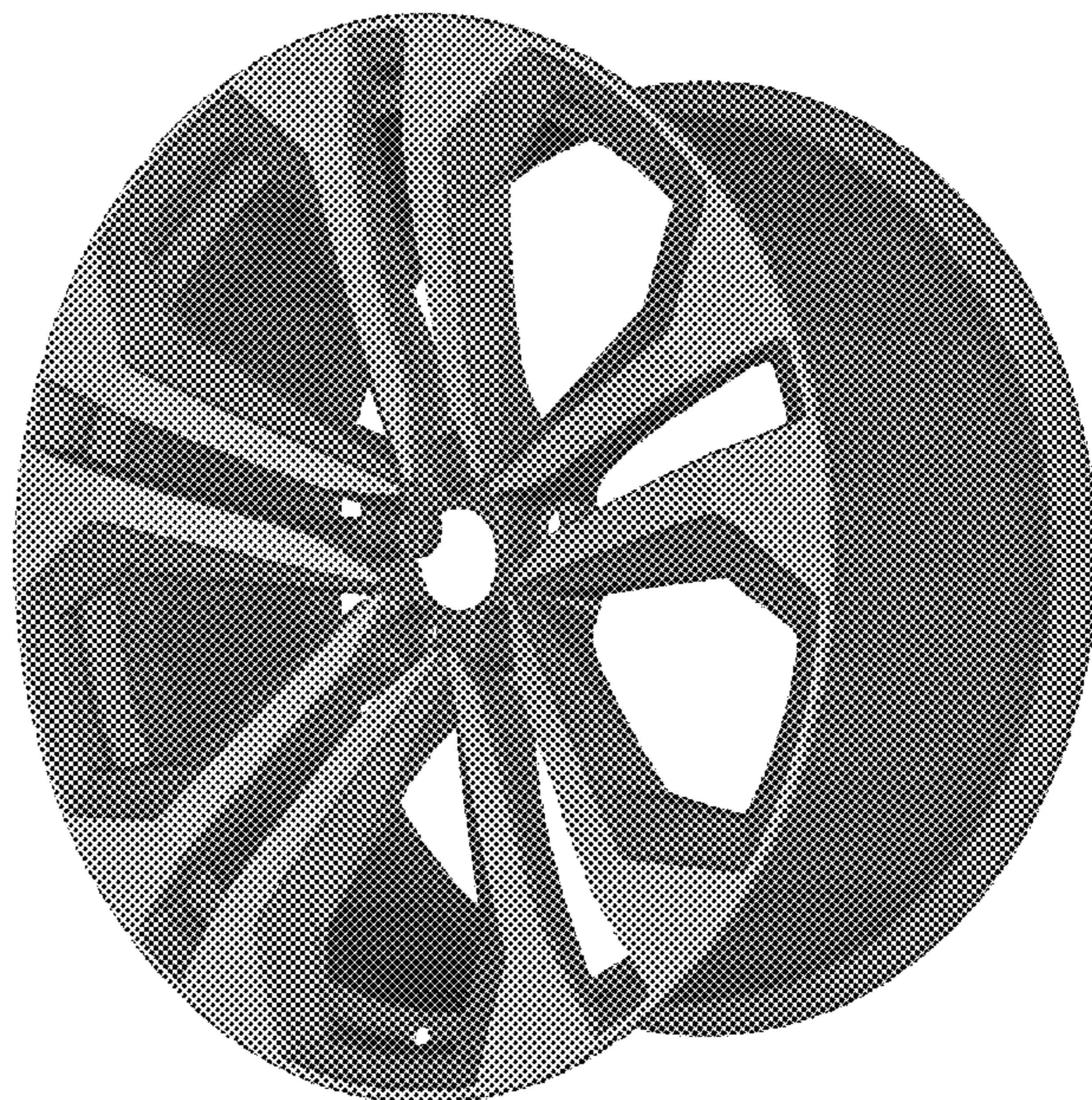
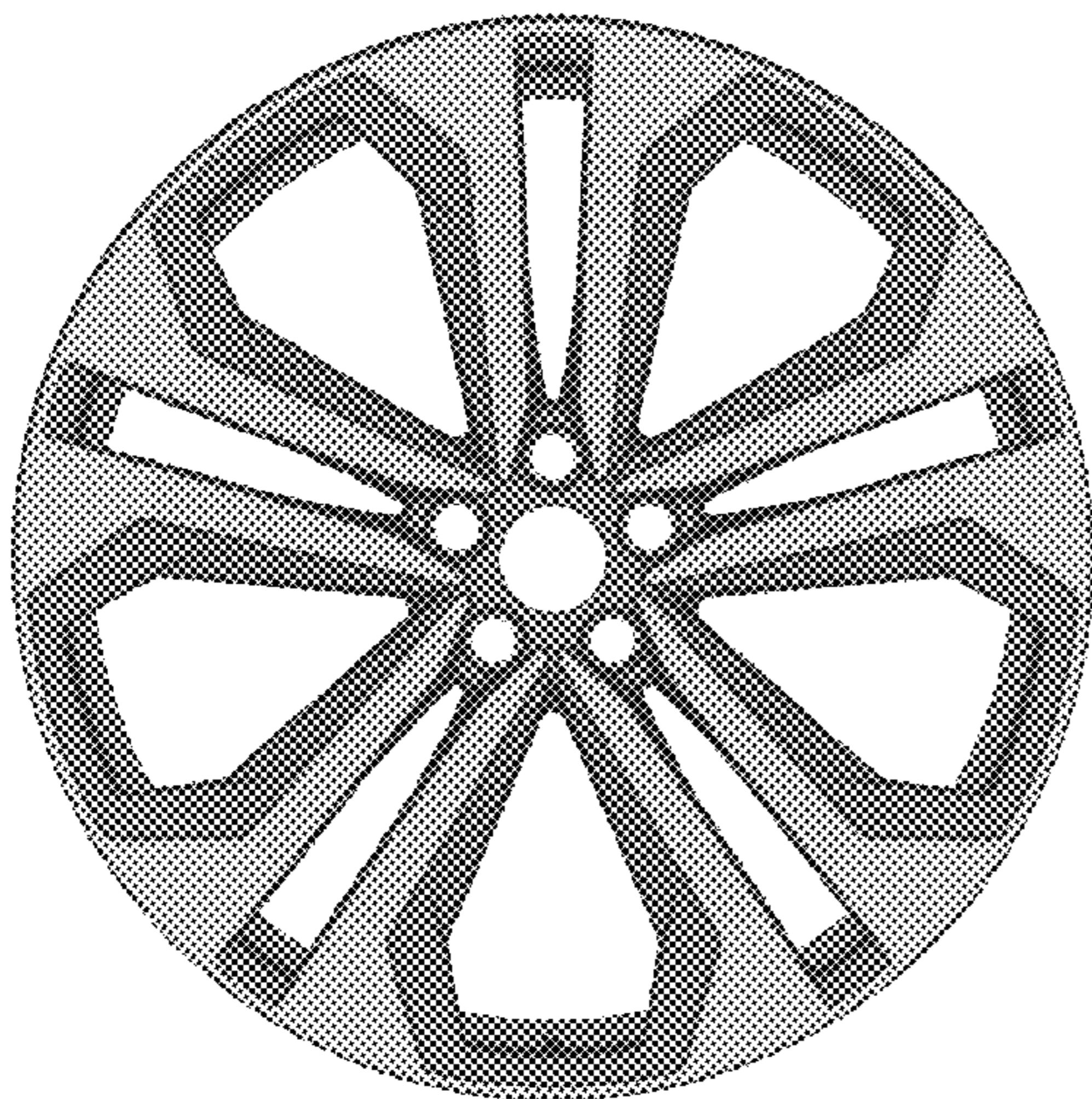
(57) **CLAIM**

The ornamental design for a vehicle wheel rim, as shown and described.

**DESCRIPTION**

FIG. 1 is a front view of the vehicle wheel rim of the present invention; and,  
FIG. 2 is a front, side perspective view thereof.

**1 Claim, 2 Drawing Sheets**



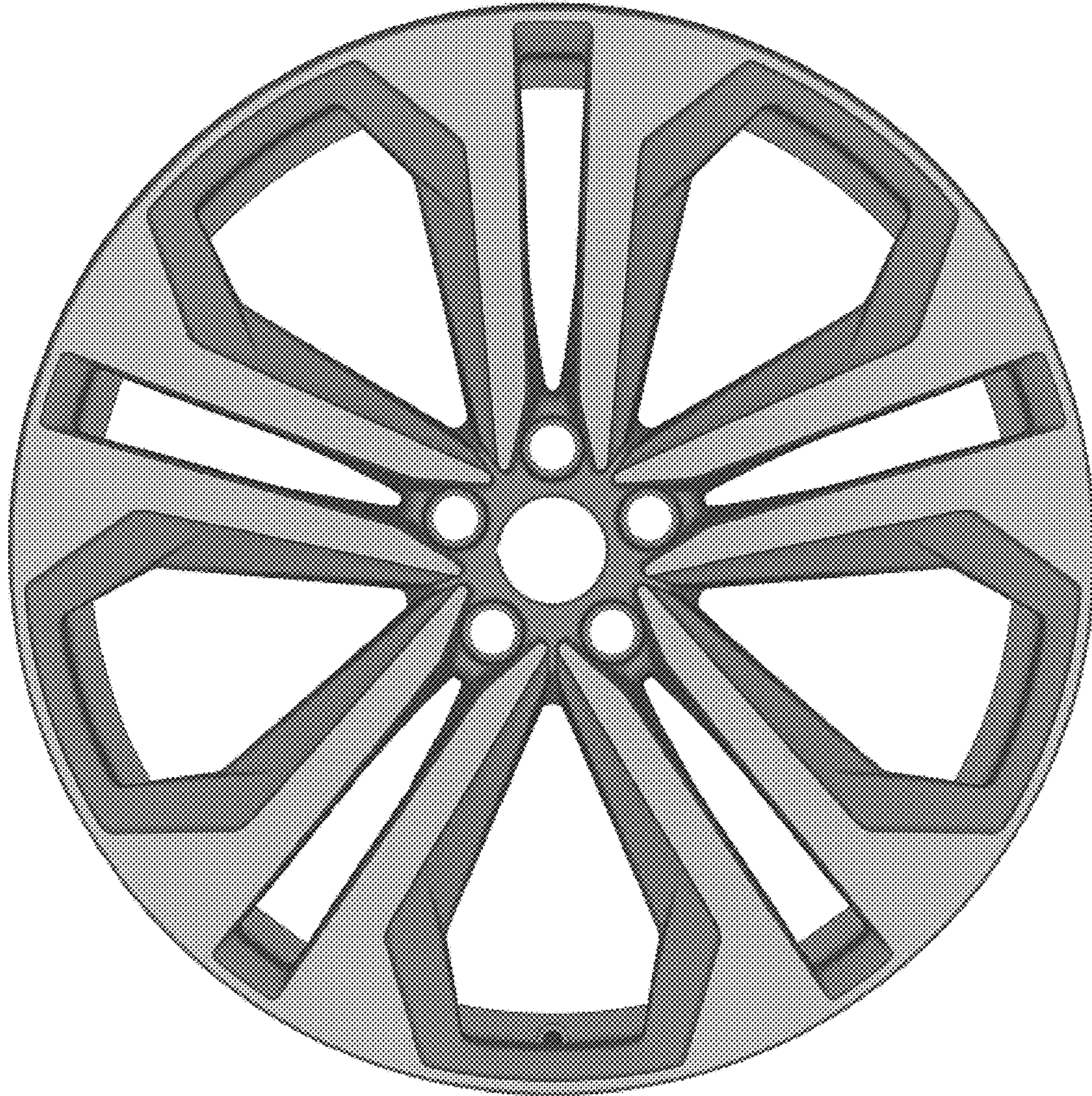


Fig. 1



Fig. 2