



US00D858409S

(12) **United States Design Patent**  
**Kolb et al.**

(10) **Patent No.:** **US D858,409 S**

(45) **Date of Patent:** **\*\* Sep. 3, 2019**

(54) **VEHICLE WHEEL**

(71) Applicant: **Ford Global Technologies, LLC,**  
Dearborn, MI (US)

(72) Inventors: **Ulrike Kolb,** Cologne (DE); **George Saridakis,** Edinburgh (GB); **Wolfgang Gotschke,** Cologne (DE)

(73) Assignee: **Ford Global Technologies, LLC,**  
Dearborn, MI (US)

(\*\*) Term: **15 Years**

(21) Appl. No.: **29/661,862**

(22) Filed: **Aug. 31, 2018**

(30) **Foreign Application Priority Data**

Mar. 2, 2018 (DE) ..... 40 2018 100 235

(51) **LOC (12) Cl.** ..... **12-16**

(52) **U.S. Cl.**  
USPC ..... **D12/209**

(58) **Field of Classification Search**  
USPC ..... D12/204–213  
CPC .... B60B 7/00; B60B 7/02; B60B 7/04; B60B 7/01; B60B 7/06; B60B 3/02; B60B 3/04; B60B 3/06; B60B 3/10; B60B 1/00; B60B 1/08; B60B 1/10; B60B 1/12  
See application file for complete search history.

(56) **References Cited**

**U.S. PATENT DOCUMENTS**

D695,186 S \* 12/2013 Pollmann ..... D12/209  
D753,045 S \* 4/2016 Kawaguchi ..... D12/209

D781,763 S \* 3/2017 Webber ..... D12/209  
D791,040 S \* 7/2017 Umehara ..... D12/209  
D803,132 S \* 11/2017 Okaji ..... D12/209  
D804,388 S \* 12/2017 Snyder ..... D12/209  
D813,138 S \* 3/2018 Chung ..... D12/211  
D814,381 S \* 4/2018 Valencia Pollex ..... D12/209  
D817,247 S \* 5/2018 Valencia Pollex ..... D12/209  
D826,826 S \* 8/2018 Back ..... D12/209  
D828,269 S \* 9/2018 Kikuchi ..... D12/209  
D828,801 S \* 9/2018 Valencia Pollex ..... D12/209  
D847,071 S \* 4/2019 Kawaguchi ..... D12/209

\* cited by examiner

*Primary Examiner* — Stacia A Cadmus

(74) *Attorney, Agent, or Firm* — Vichit Chea

(57) **CLAIM**

The ornamental design for a vehicle wheel, as shown and described.

**DESCRIPTION**

FIG. 1 is a front view of a vehicle wheel showing our new design;  
FIG. 2 is a cross sectional side view thereof, taken along line 2-2 in FIG. 1; and,  
FIG. 3 is a side perspective view thereof.  
Any broken lines represent an internal boundary of the design; the line itself and the area within form no part of the claim.

**1 Claim, 3 Drawing Sheets**

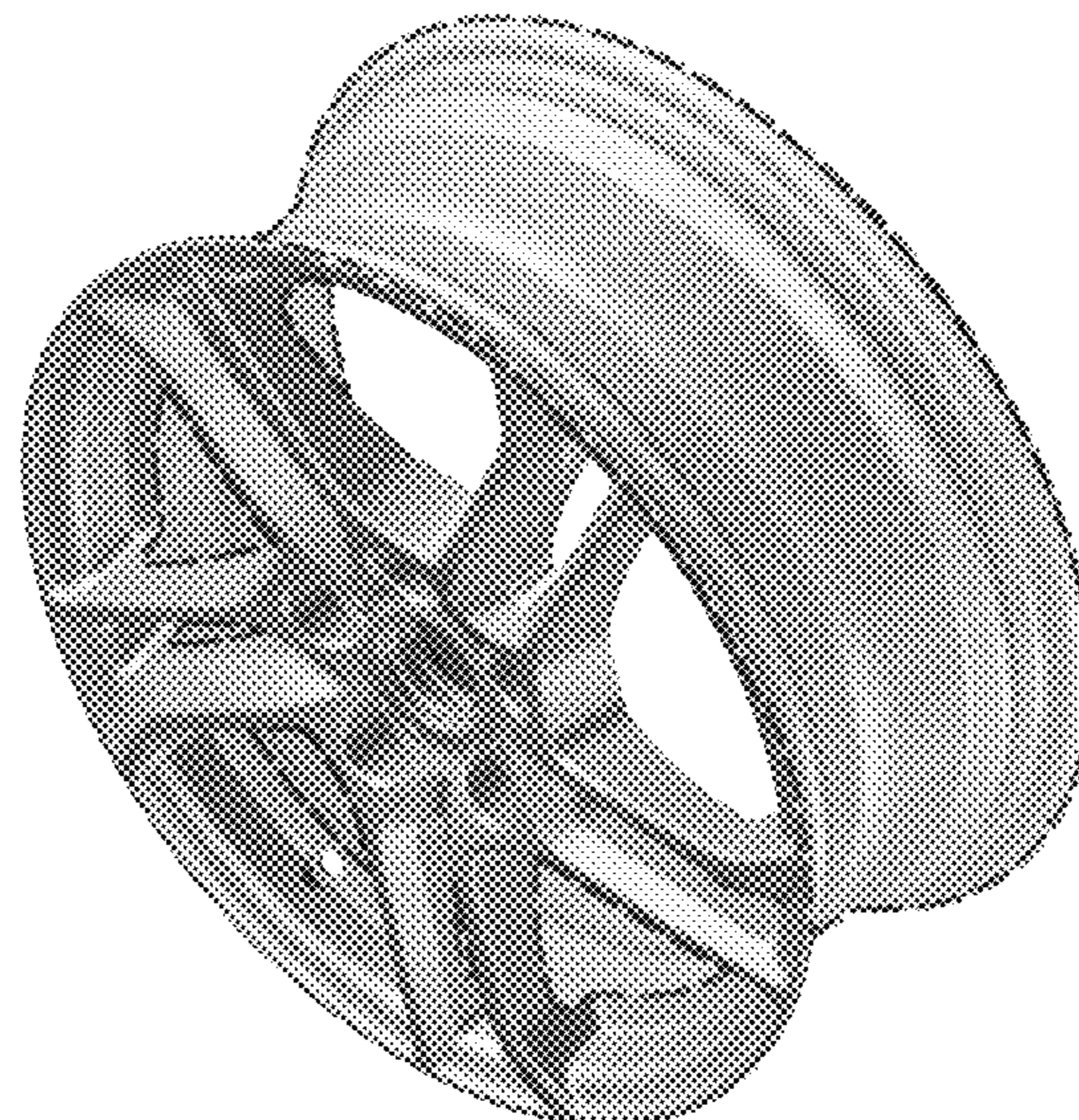
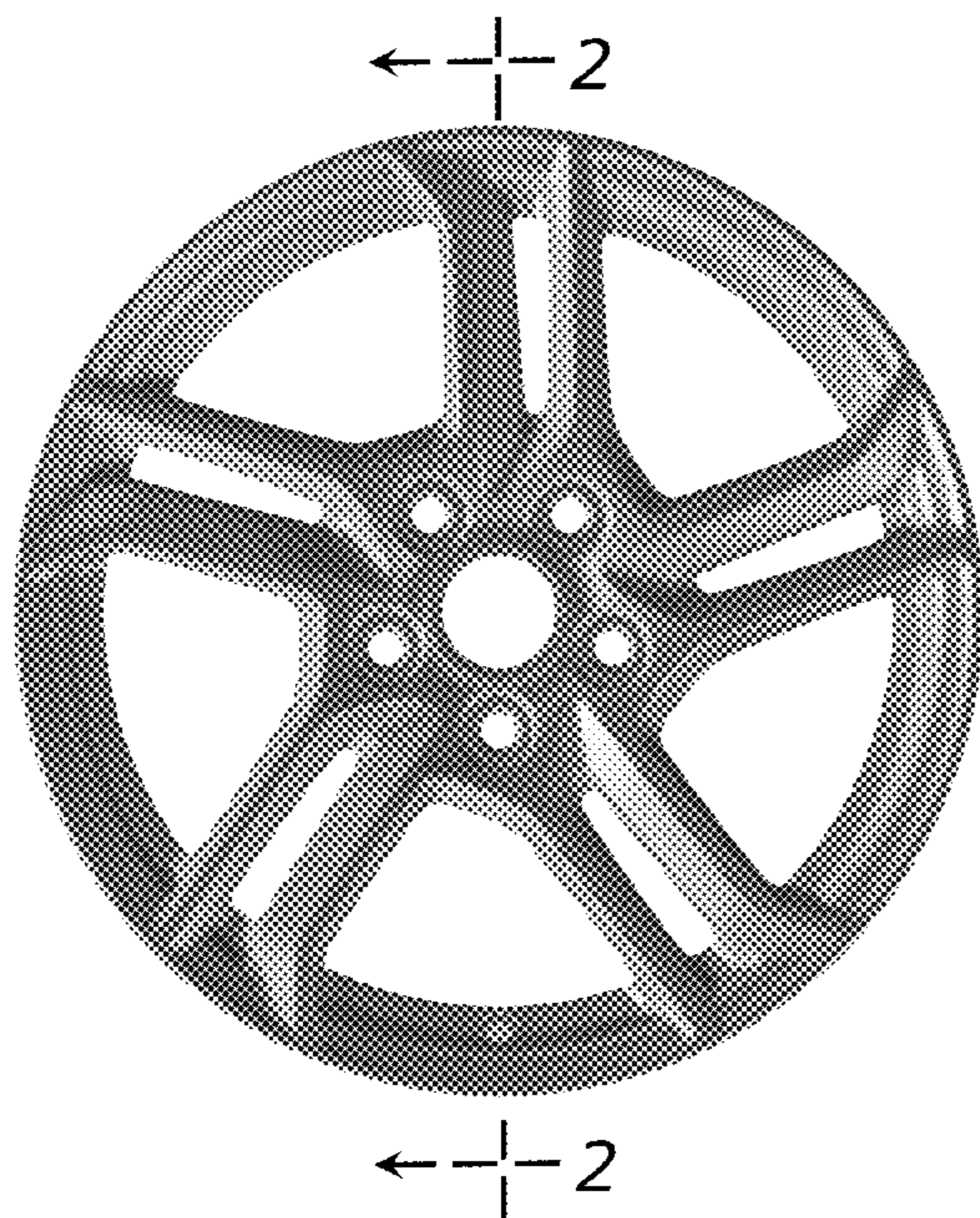




Fig. 1

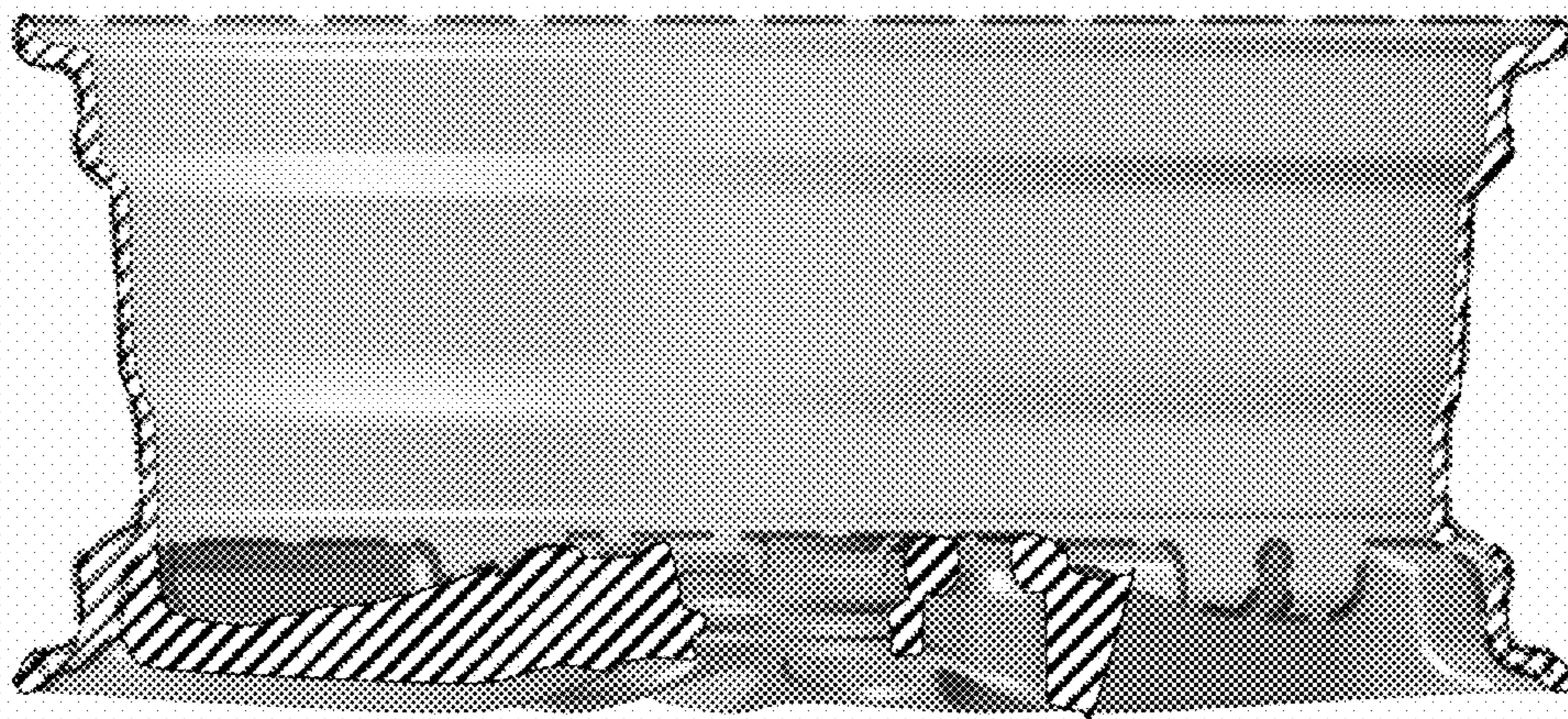


Fig. 2

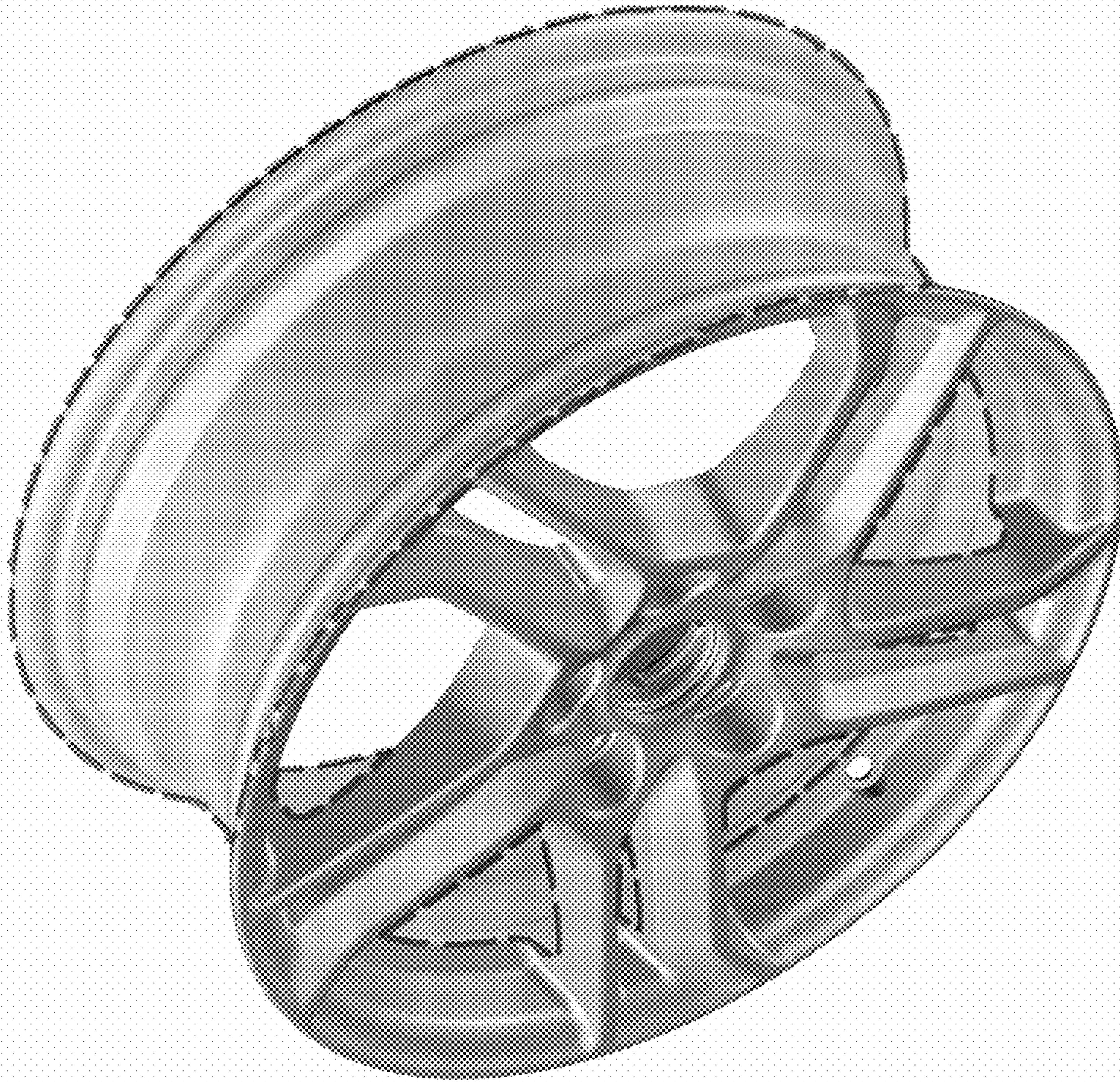


Fig. 3