



US00D858406S

(12) **United States Design Patent**
Johnson

(10) **Patent No.:** **US D858,406 S**

(45) **Date of Patent:** **** Sep. 3, 2019**

(54) **AUTOMOBILE RIM**

(71) Applicant: **DIABLO RACING INC.**, Irwindale,
CA (US)

(72) Inventor: **Kelly Johnson**, Placentia, CA (US)

(73) Assignee: **Diablo Racing Inc.**, Irwindale, CA
(US)

(**) Term: **15 Years**

(21) Appl. No.: **29/653,914**

(22) Filed: **Jun. 19, 2018**

(51) **LOC (12) Cl.** **12-16**

(52) **U.S. Cl.**
USPC **D12/209**

(58) **Field of Classification Search**
USPC D12/204–213
CPC B60B 7/00; B60B 7/02; B60B 7/04; B60B
7/01; B60B 7/06; B60B 3/02; B60B 3/04;
B60B 3/06; B60B 3/10; B60B 1/00;
B60B 1/08; B60B 1/10; B60B 1/12
See application file for complete search history.

(56) **References Cited**

U.S. PATENT DOCUMENTS

D499,058 S	11/2004	Iwauchi	
D584,673 S	1/2009	Chung	
D622,199 S *	8/2010	Gallert	D12/211
D651,956 S	1/2012	Ectors	
D661,239 S *	6/2012	Pollmann	D12/209
D686,135 S	7/2013	Borkert	
D697,007 S	1/2014	Pollmann	

D713,773 S *	9/2014	Scheinutte	D12/209
D746,208 S *	12/2015	Battams	D12/209
D756,282 S *	5/2016	Zhao	D12/209
D758,274 S *	6/2016	Breyton	D12/209
D774,436 S *	12/2016	Valencia Pollex	D12/209
D778,223 S *	2/2017	Chu	D12/211
D784,238 S *	4/2017	Chu	D12/211
D787,408 S *	5/2017	Alfonso	D12/211
D789,268 S *	6/2017	Gallert	D12/209
D795,775 S *	8/2017	Simpson	D12/211
D811,978 S *	3/2018	Hodges	D12/211
D824,315 S *	7/2018	Tran	D12/209
D825,423 S *	8/2018	Henderson	D12/209
D826,819 S *	8/2018	Chung	D12/209
D830,933 S *	10/2018	Zhao	D12/209
D830,935 S *	10/2018	Zhao	D12/209
D838,228 S *	1/2019	Chung	D12/213
D840,895 S *	2/2019	Luo	D12/209
D840,896 S *	2/2019	Schmolz	D12/209
D842,792 S *	3/2019	Han	D12/209

* cited by examiner

Primary Examiner — Stacia A Cadmus

(57) **CLAIM**

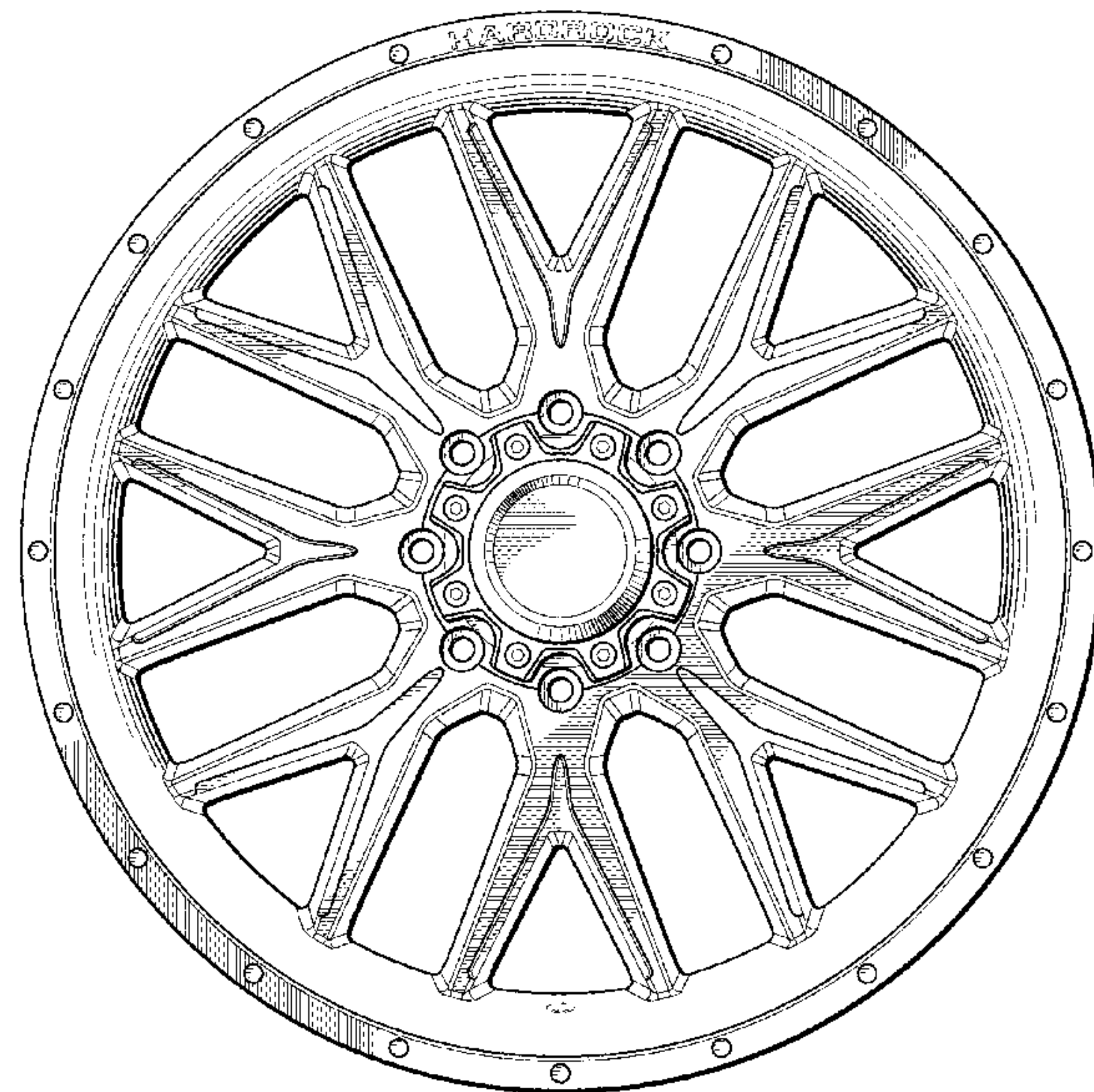
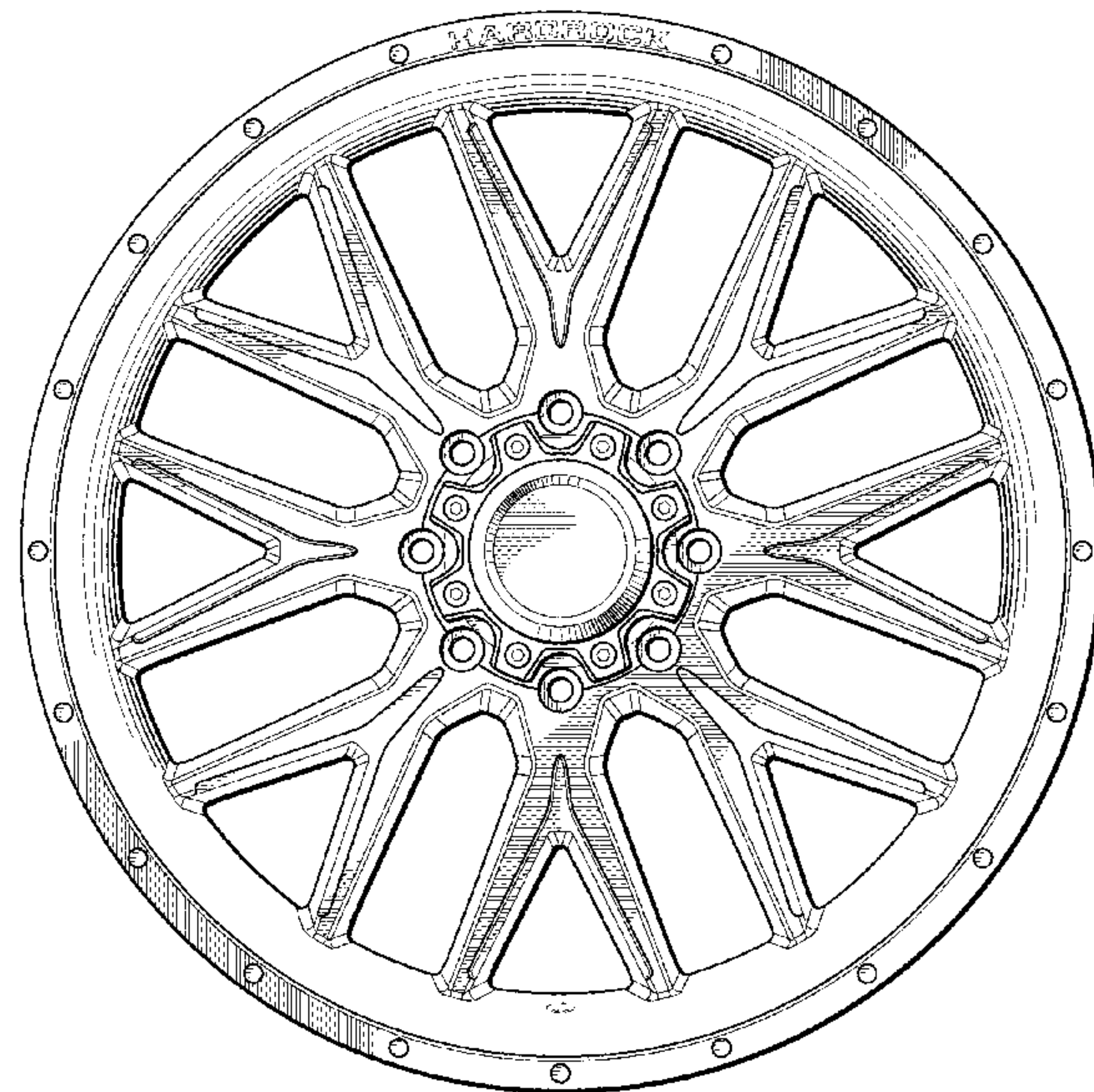
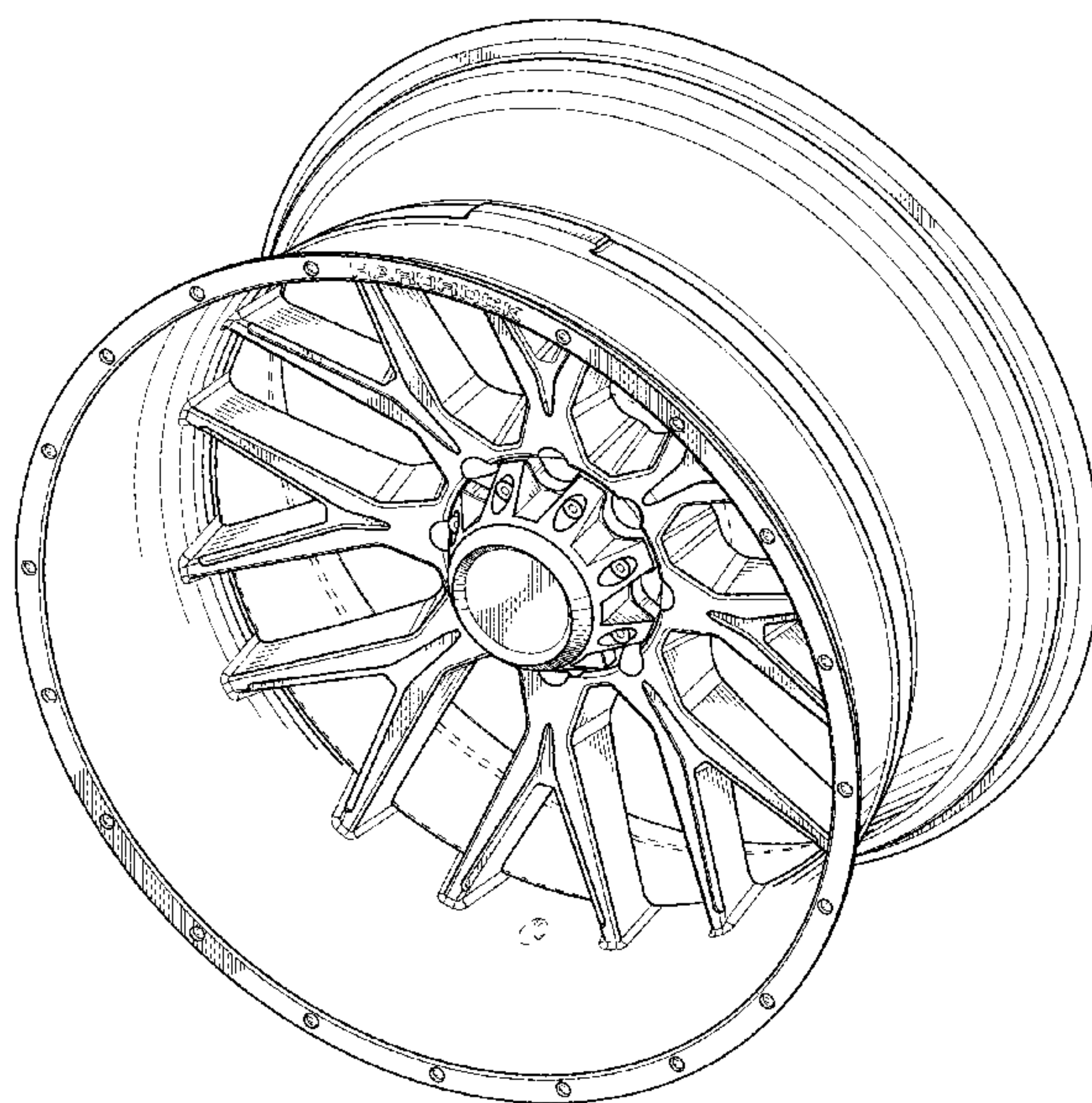
The ornamental design for an automobile rim, as shown and described.

DESCRIPTION

FIG. 1—Right front perspective view of an automobile rim;
FIG. 2—Front elevation view thereof; and,
FIG. 3—Top view thereof.

The broken lines shown are included for the purpose of illustrating the unclaimed portions of the automobile rim and form no part of the claim.

1 Claim, 3 Drawing Sheets



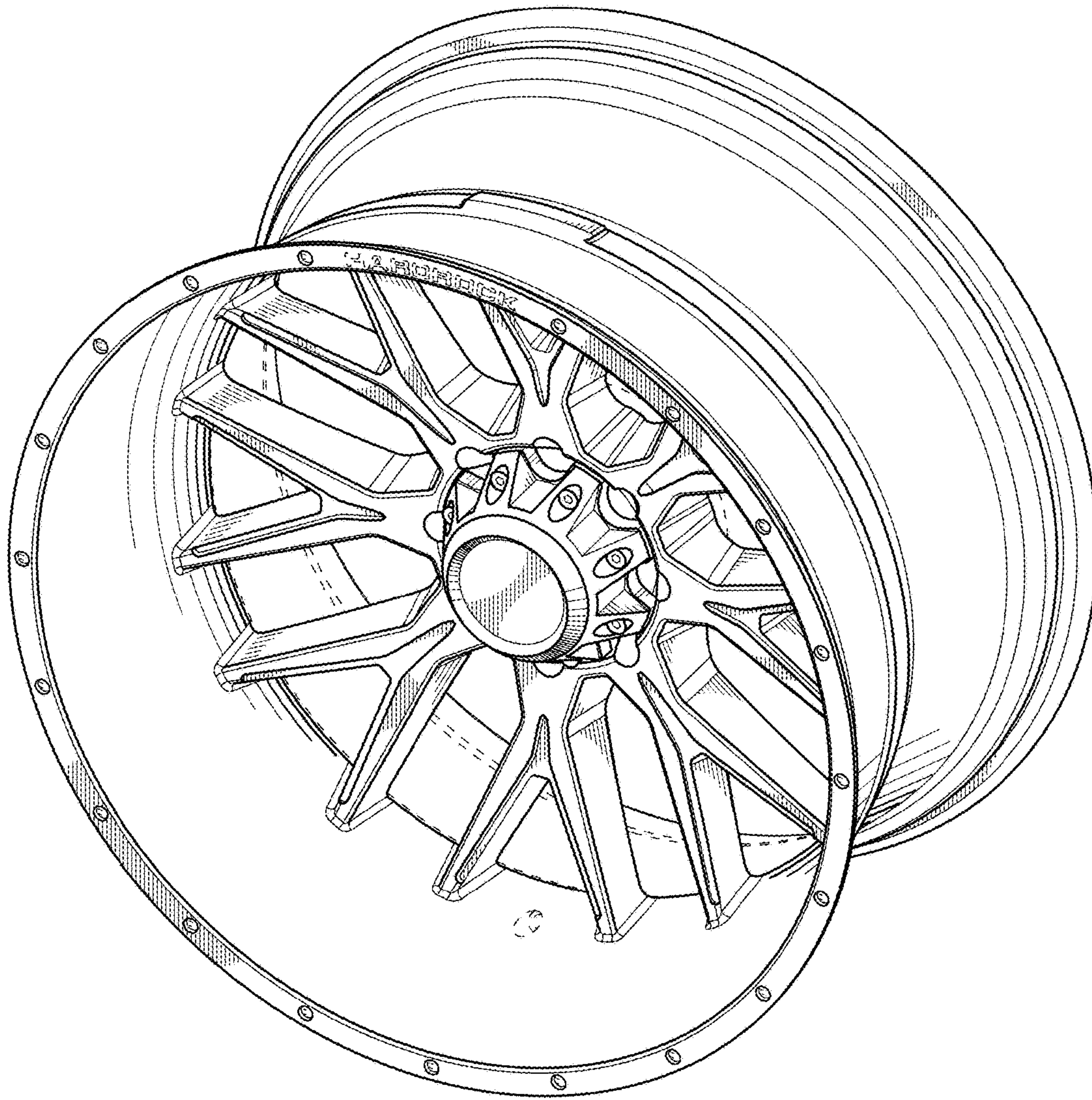


FIG. 1

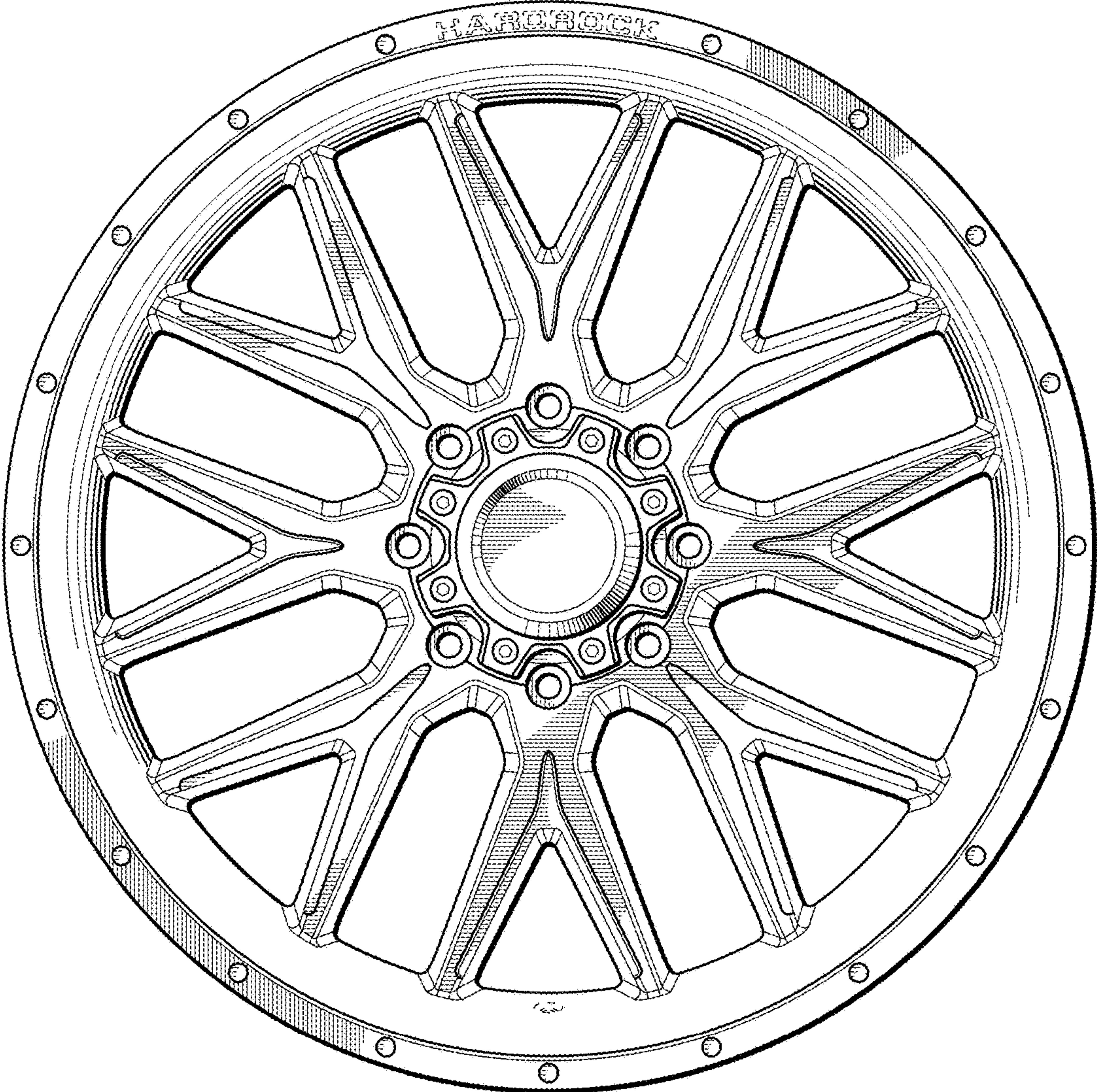


FIG. 2

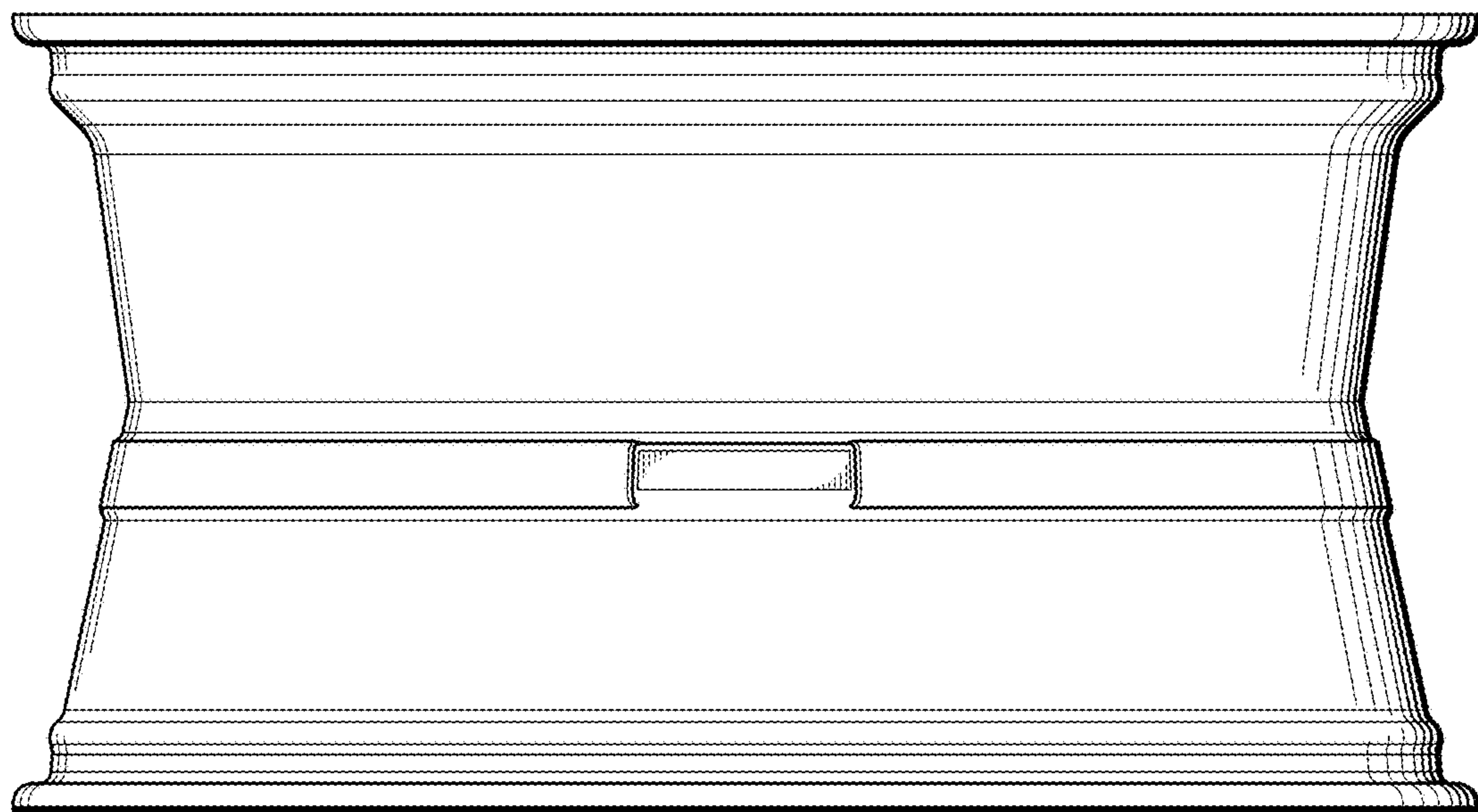


FIG. 3