



US00D858404S

(12) **United States Design Patent**
Oh et al.

(10) **Patent No.:** **US D858,404 S**

(45) **Date of Patent:** **** Sep. 3, 2019**

(54) **VEHICLE WHEEL**

(71) Applicant: **Ford Global Technologies, LLC,**
Dearborn, MI (US)

(72) Inventors: **Seunghee Oh,** Royal Oak, MI (US);
Damon G. Depeyster, Northville, MI
(US); **Gordon M. Platto,** Troy, MI
(US)

(73) Assignee: **Ford Global Technologies, LLC,**
Dearborn, MI (US)

(**) Term: **15 Years**

(21) Appl. No.: **29/650,654**

(22) Filed: **Jun. 8, 2018**

(51) **LOC (12) Cl.** **12-16**

(52) **U.S. Cl.**
USPC **D12/209**

(58) **Field of Classification Search**
USPC D12/204-213
CPC B60B 7/00; B60B 7/02; B60B 7/04; B60B
7/01; B60B 7/06; B60B 3/02; B60B 3/04;
B60B 3/06; B60B 3/10; B60B 1/00;
B60B 1/08; B60B 1/10; B60B 1/12
See application file for complete search history.

(56) **References Cited**

U.S. PATENT DOCUMENTS

D608,713 S 1/2010 Bucher et al.
D608,714 S 1/2010 Bucher et al.
D608,715 S 1/2010 Bucher et al.

D695,186 S * 12/2013 Pollmann D12/209
D729,138 S * 5/2015 Davidson D12/209
D758,278 S 6/2015 Behmer et al.
D750,543 S 3/2016 Behmer et al.
D751,019 S 3/2016 Behmer et al.
D730,800 S 6/2016 Behmer et al.
D764,372 S 8/2016 Behmer et al.
D788,003 S * 5/2017 Conforzi D12/209
D791,668 S * 7/2017 Murase D12/209
D791,670 S * 7/2017 Valencia Pollex D12/209
D795,155 S * 8/2017 Valencia Pollex D12/211
D798,217 S * 9/2017 Valencia Pollex D12/211
D817,247 S * 5/2018 Valencia Pollex D12/209
D823,224 S * 7/2018 Nakamura D12/211
D826,826 S * 8/2018 Back D12/209
D840,321 S * 2/2019 Kikuchi D12/211

* cited by examiner

Primary Examiner — Stacia A Cadmus

(74) *Attorney, Agent, or Firm* — Vichit Chea

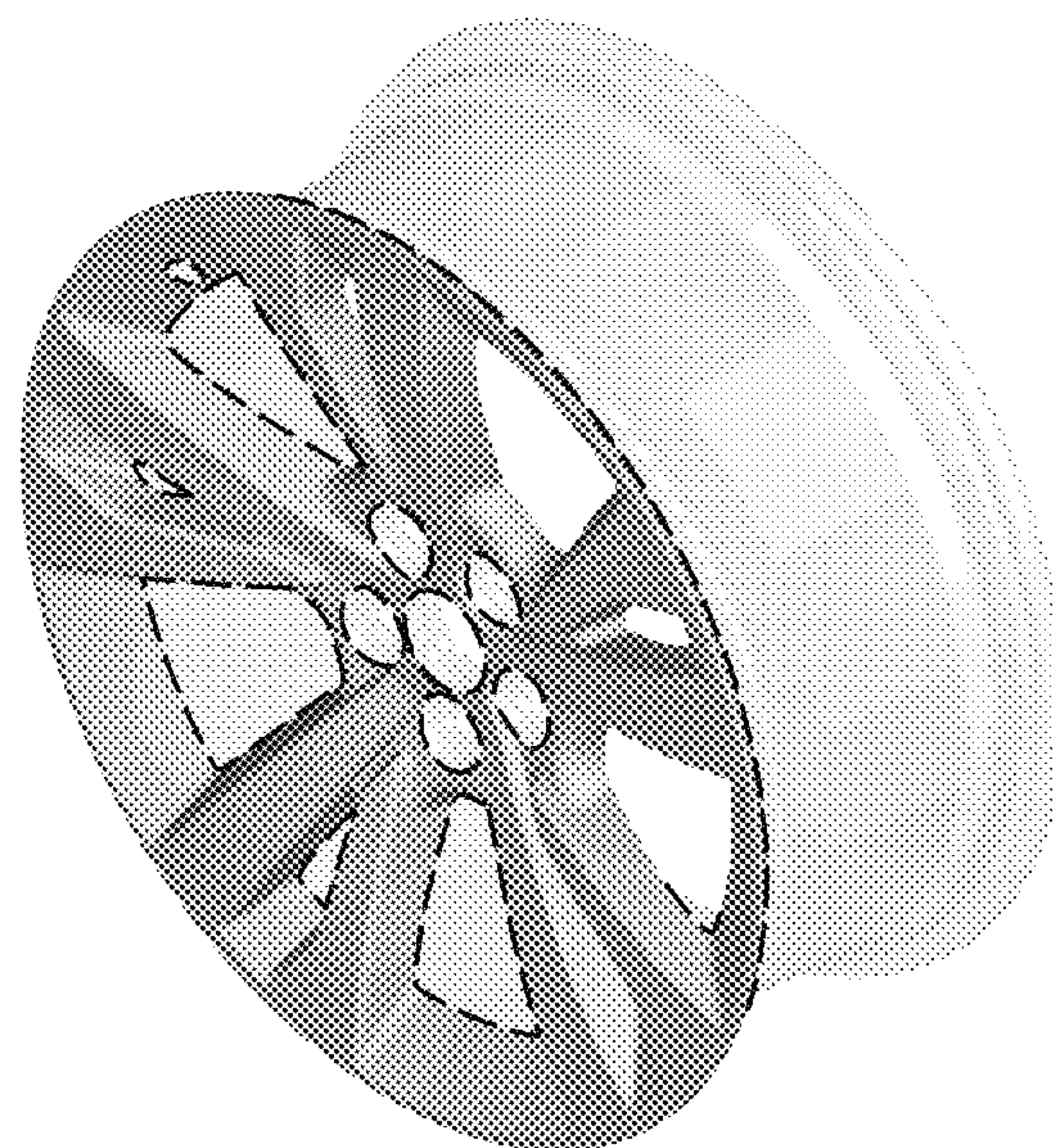
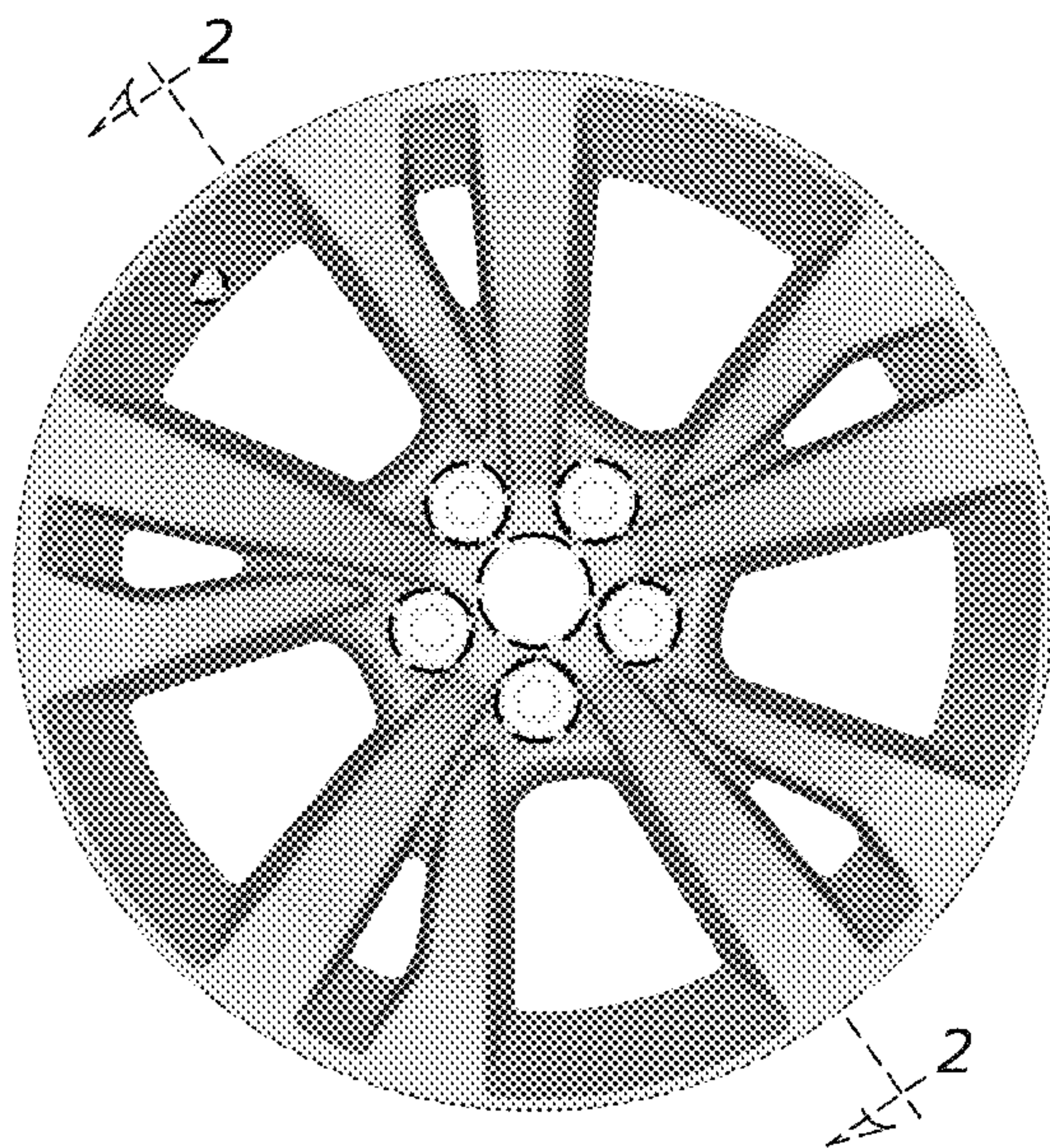
(57) **CLAIM**

The ornamental design for a vehicle wheel, as shown and described.

DESCRIPTION

FIG. 1 is a front view of a vehicle wheel showing our new design;
FIG. 2 is a cross sectional view thereof, taken along line 2-2 in FIG. 1; and,
FIG. 3 is a side perspective view thereof.
Any broken lines represent an internal boundary of the design; the line itself and the area within form no part of the claim.

1 Claim, 3 Drawing Sheets



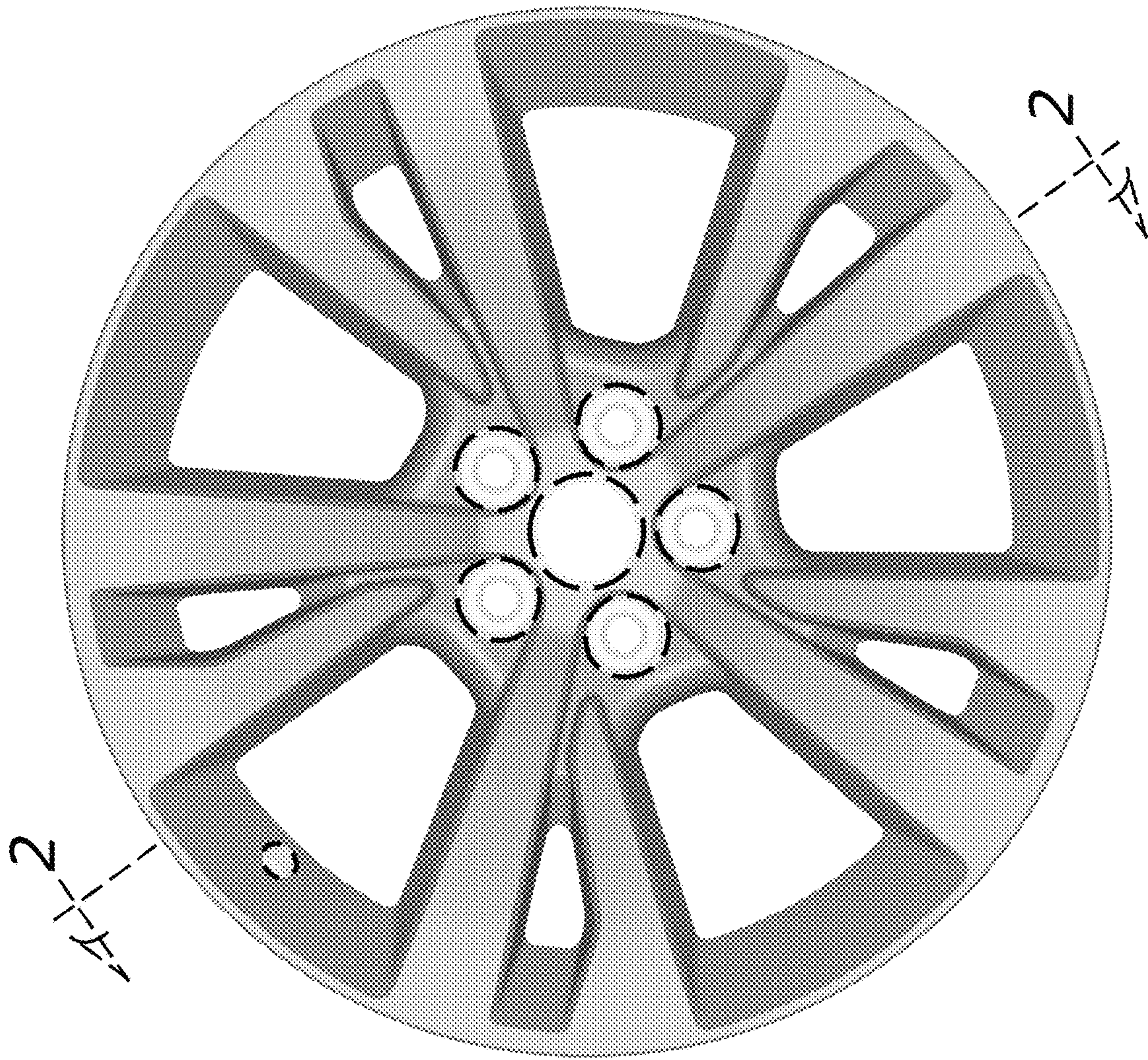


Fig. 1

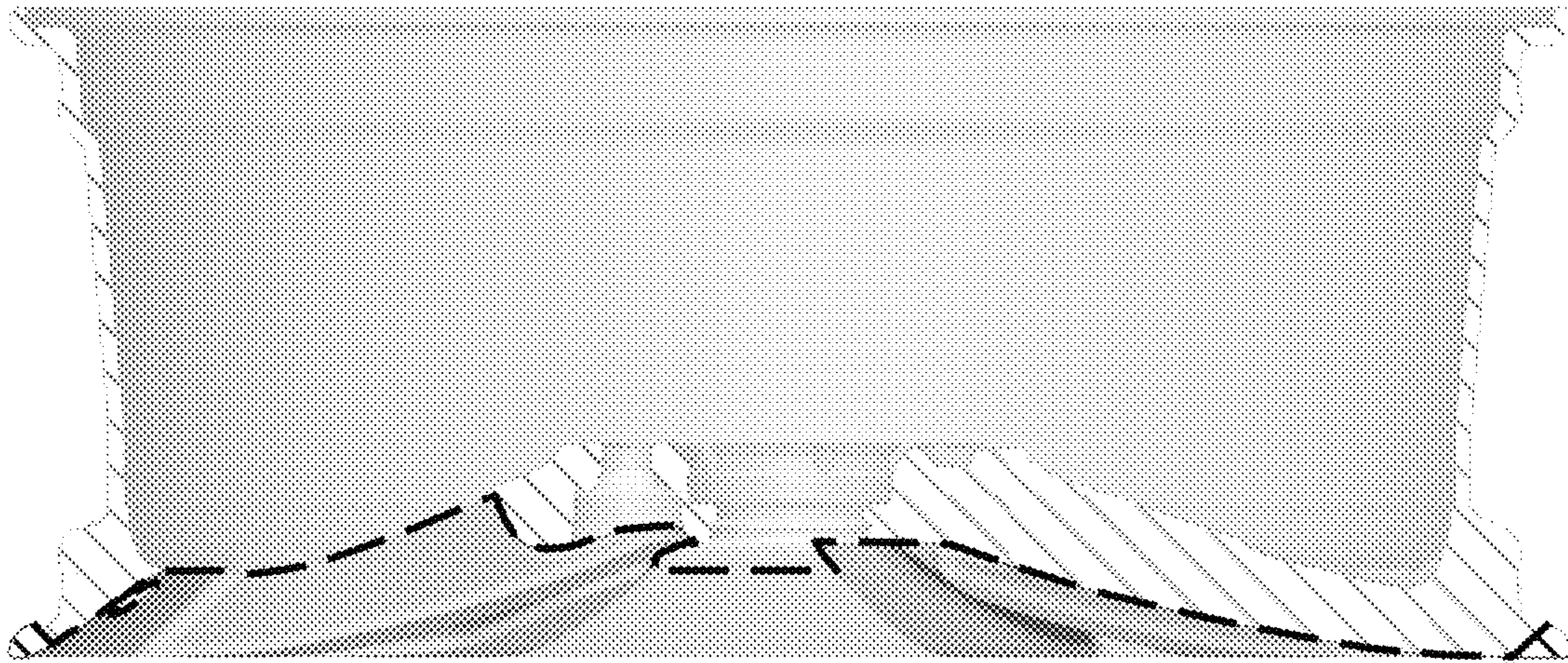


Fig. 2



Fig. 3