



US00D858403S

(12) **United States Design Patent** (10) **Patent No.:** **US D858,403 S**
Riccobelli et al. (45) **Date of Patent:** **** Sep. 3, 2019**

(54) **VEHICLE WHEEL**

(71) Applicant: **Ford Global Technologies, LLC,**
Dearborn, MI (US)

(72) Inventors: **Adam Riccobelli,** Ferndale, MI (US);
Damon G. Depeyster, Northville, MI
(US); **Gordon M. Platto,** Troy, MI
(US)

(73) Assignee: **Ford Global Technologies, LLC,**
Dearborn, MI (US)

(**) Term: **15 Years**

(21) Appl. No.: **29/650,644**

(22) Filed: **Jun. 8, 2018**

(51) **LOC (12) Cl.** **12-16**

(52) **U.S. Cl.**
USPC **D12/209**

(58) **Field of Classification Search**
USPC D12/204–213
CPC B60B 7/00; B60B 7/02; B60B 7/04; B60B
7/01; B60B 7/06; B60B 3/02; B60B 3/04;
B60B 3/06; B60B 3/10; B60B 1/00;
B60B 1/08; B60B 1/10; B60B 1/12
See application file for complete search history.

(56) **References Cited**

U.S. PATENT DOCUMENTS

D522,433 S *	6/2006	Szavits	D12/209
D608,713 S	1/2010	Bucher et al.	
D608,714 S	1/2010	Bucher et al.	
D608,715 S	1/2010	Bucher et al.	
D649,503 S *	11/2011	Platto	D12/209
D654,006 S *	2/2012	Baum	D12/209
D656,443 S *	3/2012	Fetherston	D12/209
D673,095 S *	12/2012	Behmer	D12/209
D673,100 S *	12/2012	Mueller-Stolz	D12/211
D697,004 S *	1/2014	Pollmann	D12/209

D697,006 S *	1/2014	Schneider	D12/209
D697,007 S *	1/2014	Pollmann	D12/209
D707,170 S *	6/2014	Wheel	D12/211
D730,800 S	6/2015	Behmer et al.	
D732,454 S *	6/2015	Szews	D12/211
D734,234 S *	7/2015	Juergens	D12/209
D744,925 S *	12/2015	Wheel	D12/209
D746,751 S *	1/2016	Wheel	D12/209
D748,552 S *	2/2016	Wagener	D12/209
D749,028 S *	2/2016	Henstridge	D12/209
D750,543 S	3/2016	Behmer et al.	
D751,019 S	3/2016	Behmer et al.	
D751,482 S *	3/2016	Caswell	D12/209
D758,278 S	6/2016	Behmer et al.	
D764,372 S	8/2016	Behmer et al.	
D766,153 S *	9/2016	Wheel	D12/209
D775,048 S *	12/2016	Rueckheim	D12/211
D775,574 S *	1/2017	Maher	D12/209
D794,526 S *	8/2017	Patel	D12/209
D811,979 S *	3/2018	Svensson	D12/211
D832,762 S *	11/2018	Austin	D12/209
D834,486 S *	11/2018	Patel	D12/209
D845,201 S *	4/2019	Schmolz	D12/209

* cited by examiner

Primary Examiner — Stacia A Cadmus

(74) *Attorney, Agent, or Firm* — Vichit Chea

(57) **CLAIM**

The ornamental design for a vehicle wheel, as shown and described.

DESCRIPTION

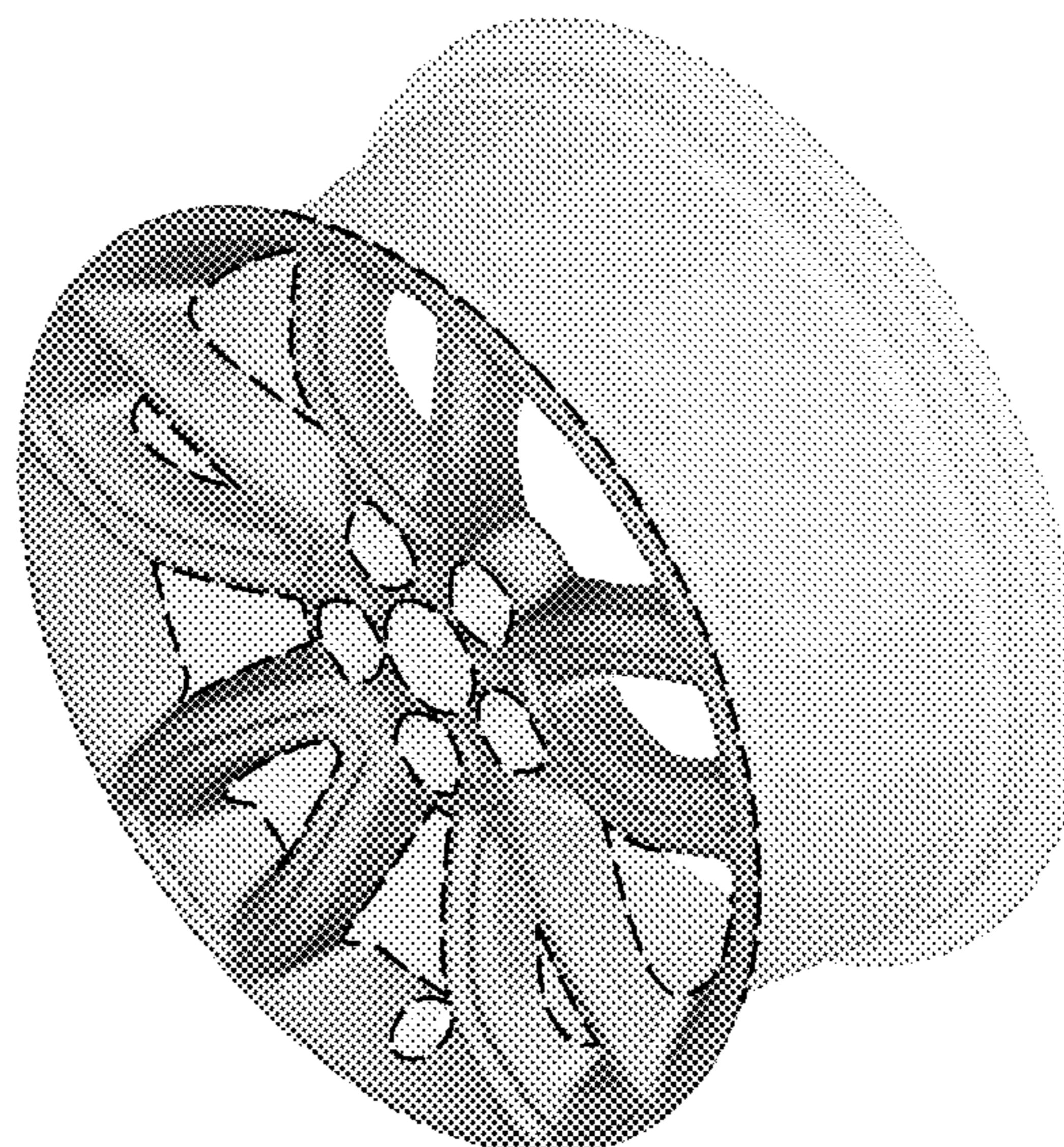
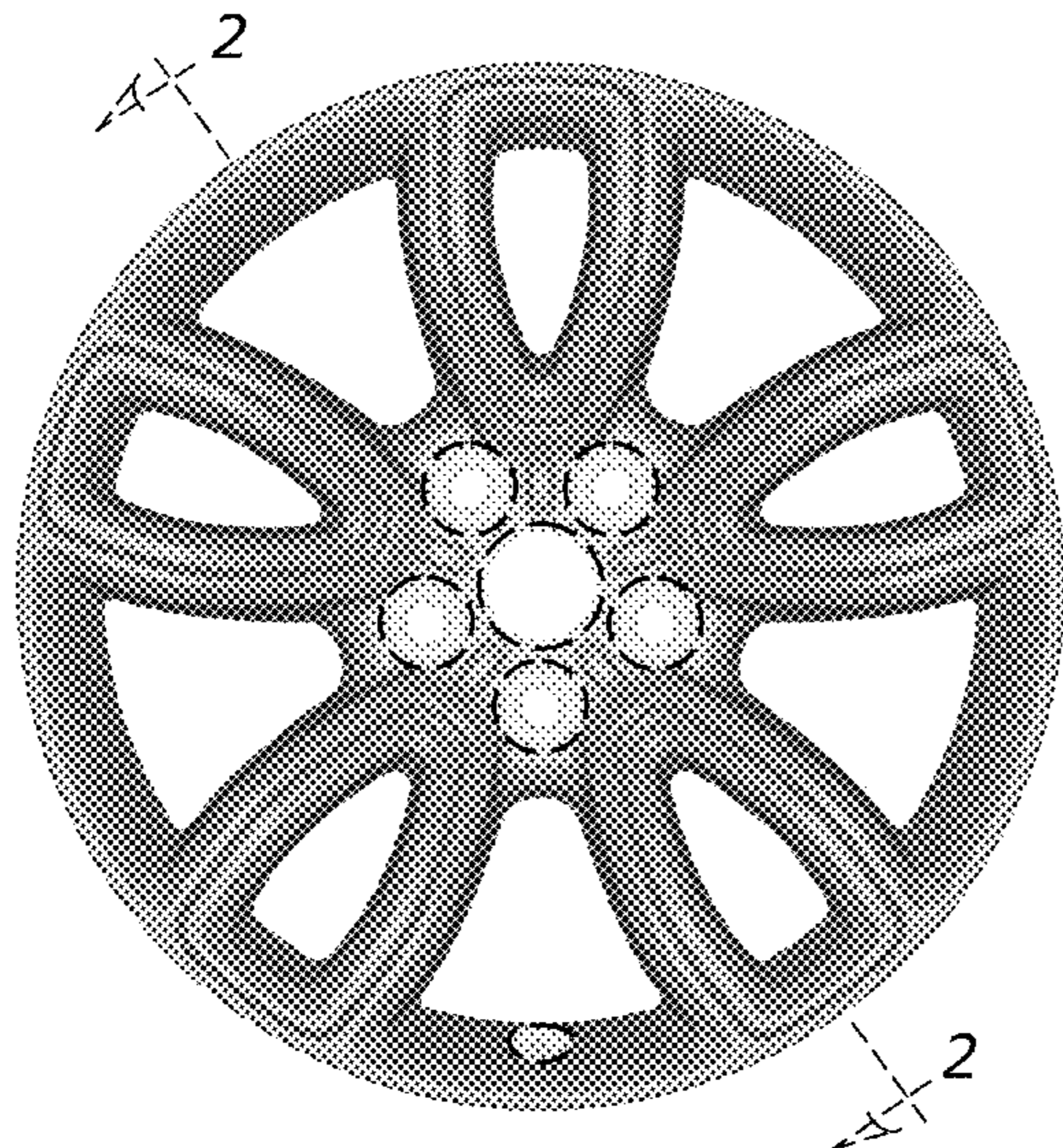
FIG. 1 is a front view of a vehicle wheel showing our new design;

FIG. 2 is a cross sectional view thereof, taken along line 2-2 in FIG. 1; and,

FIG. 3 is a side perspective view thereof.

Any broken lines represent an internal boundary of the design; the line itself and the area within form no part of the claim.

1 Claim, 3 Drawing Sheets



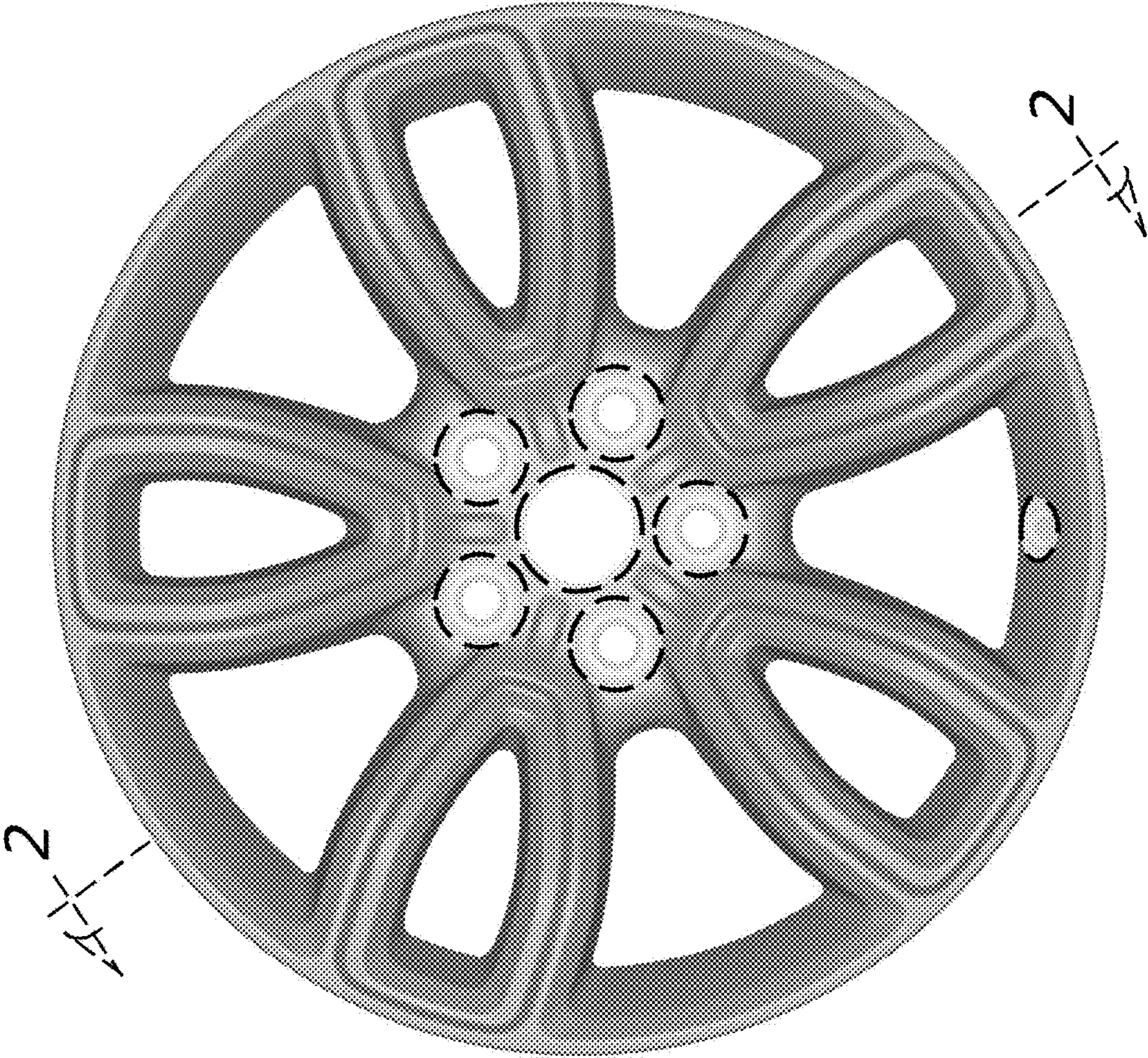


Fig. 1

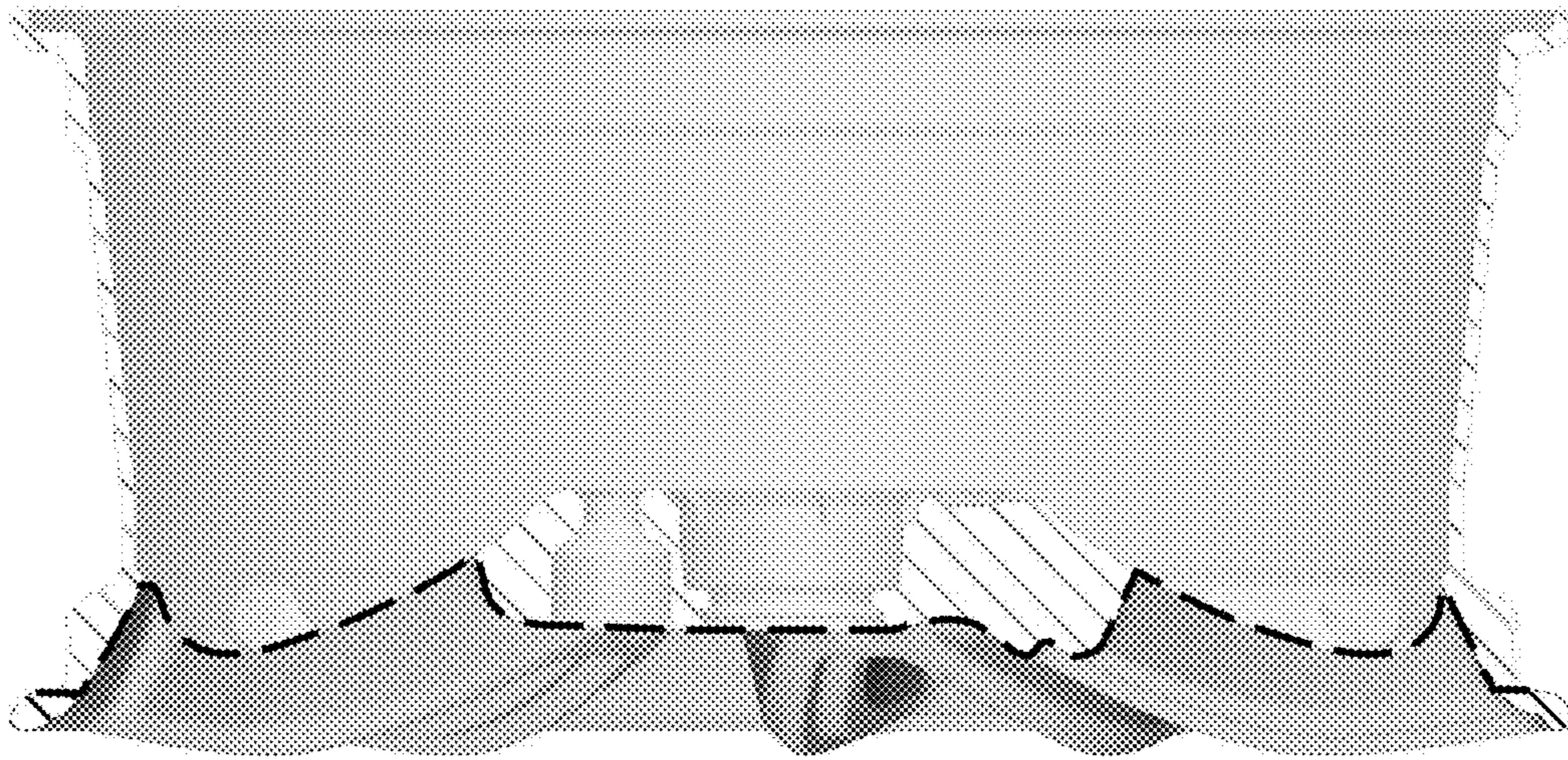


Fig. 2



Fig. 3