



US00D858400S

(12) **United States Design Patent** (10) **Patent No.:** **US D858,400 S**
Li (45) **Date of Patent:** **** Sep. 3, 2019**

(54) **HITCH ARMOR**
(71) Applicant: **M2 Distribution Ltd.**, Port Coquitlam (CA)
(72) Inventor: **Ming Li**, Coquitlam (CA)
(73) Assignee: **M2 Distribution Ltd.**, Port Coquitlam (CA)

(**) Term: **15 Years**

(21) Appl. No.: **29/629,303**

(22) Filed: **Dec. 12, 2017**

(51) **LOC (12) Cl.** **12-16**

(52) **U.S. Cl.**
USPC **D12/203**

(58) **Field of Classification Search**
USPC D12/203, 89, 98, 314, 159, 160, 161, D12/162, 196
CPC . B60D 1/60; B60D 1/065; B60D 1/00; B60D 1/06; B60R 3/002; B60R 3/02; B60R 3/00; B60R 3/005; B60R 3/007
See application file for complete search history.

(56) **References Cited**

U.S. PATENT DOCUMENTS

D532,354 S *	11/2006	Storer	D12/203
D549,623 S *	8/2007	Gaddy	B60R 3/00
				D12/162
D695,665 S *	12/2013	Masanek, Jr.	B60D 1/58
				D12/203
8,851,495 B1 *	10/2014	Masanek, Jr.	B60R 3/00
				280/163
D766,797 S	9/2016	Li		
D796,405 S *	9/2017	Atkins	D12/203
D815,003 S *	4/2018	MacNeil	D12/203
D835,020 S *	12/2018	MacNeil	D12/203

D843,905 S *	3/2019	Guo	B60D 1/06
				D12/203
D847,061 S *	4/2019	MacNeil	D12/203
2003/0011164 A1 *	1/2003	Cipolla	B60R 3/007
				280/164.1
2013/0270791 A1 *	10/2013	Anderson	B60R 3/007
				280/163
2014/0054874 A1 *	2/2014	Masanek, Jr.	B60D 1/36
				280/477
2018/0111431 A1 *	4/2018	MacNeil	B29C 45/14811

* cited by examiner

Primary Examiner — Katrina A Betton

(74) *Attorney, Agent, or Firm* — Eric J. Sosenko; Jonathan P. O'Brien; Honigman LLP

(57) **CLAIM**

The ornamental design for a hitch armor, as shown.

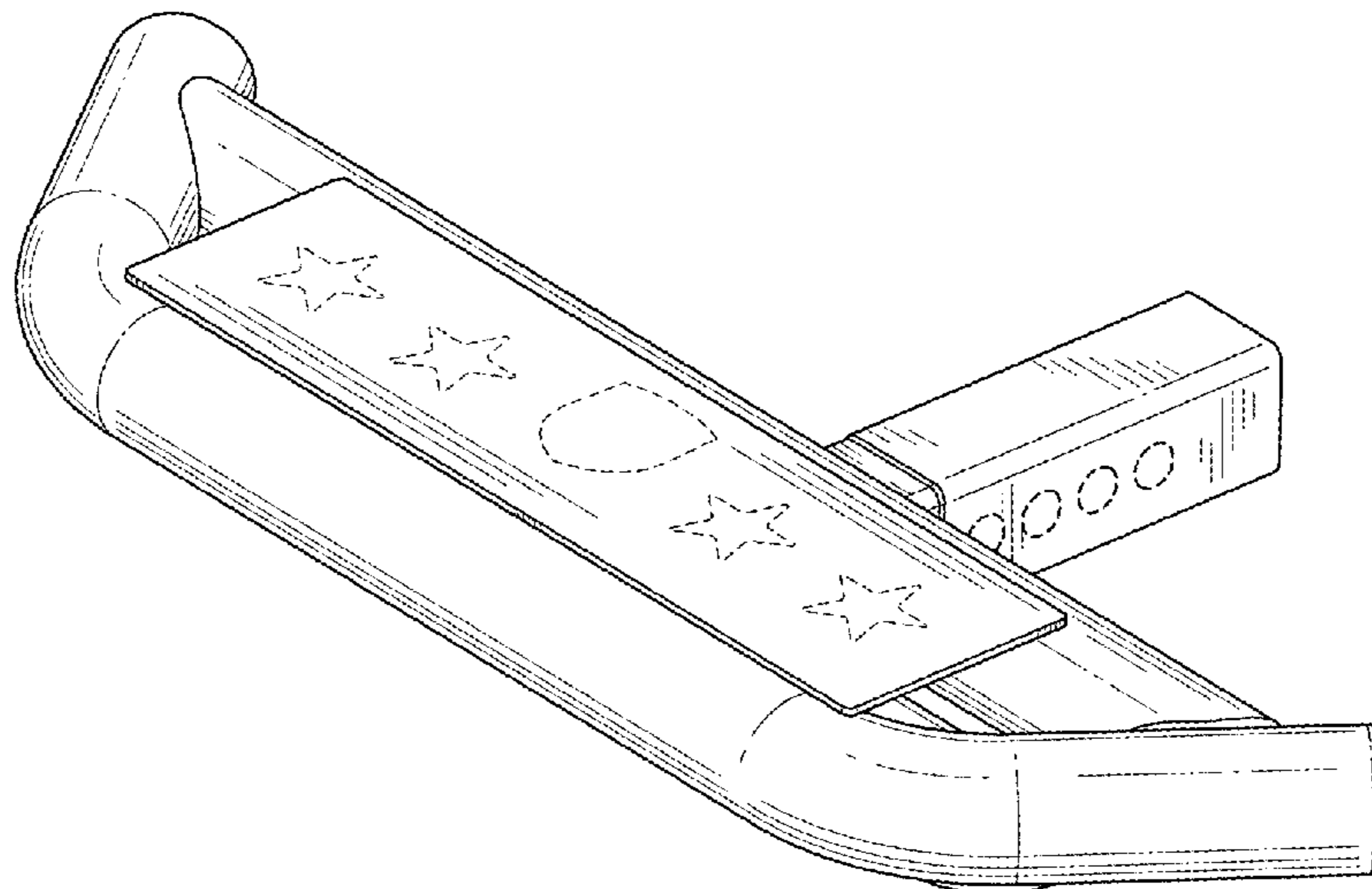
DESCRIPTION

FIG. 1 is a top-quartering perspective view of a hitch armor embodying the principles of the present invention; FIG. 2 is bottom-quartering perspective view of the hitch armor seen in FIG. 1; FIG. 3 is a right side view of the hitch armor seen in FIG. 1, the left side view being a mirror image thereof; FIG. 4 is a front view of the hitch armor seen in FIG. 1; FIG. 5 is a back view of the hitch armor seen in FIG. 1; FIG. 6 is a top view of the hitch armor seen in FIG. 1; FIG. 7 is a bottom side view of the hitch armor seen in FIG. 1; and,

FIG. 8 is another top-quartering perspective view of the hitch armor seen in FIG. 1, in a different contextual application.

Broken lines in the figures are for illustrative purposes only and are not part of the claimed design. Shade lines having a combination of long and short lines in the figures show contour and not surface ornamentation.

1 Claim, 4 Drawing Sheets



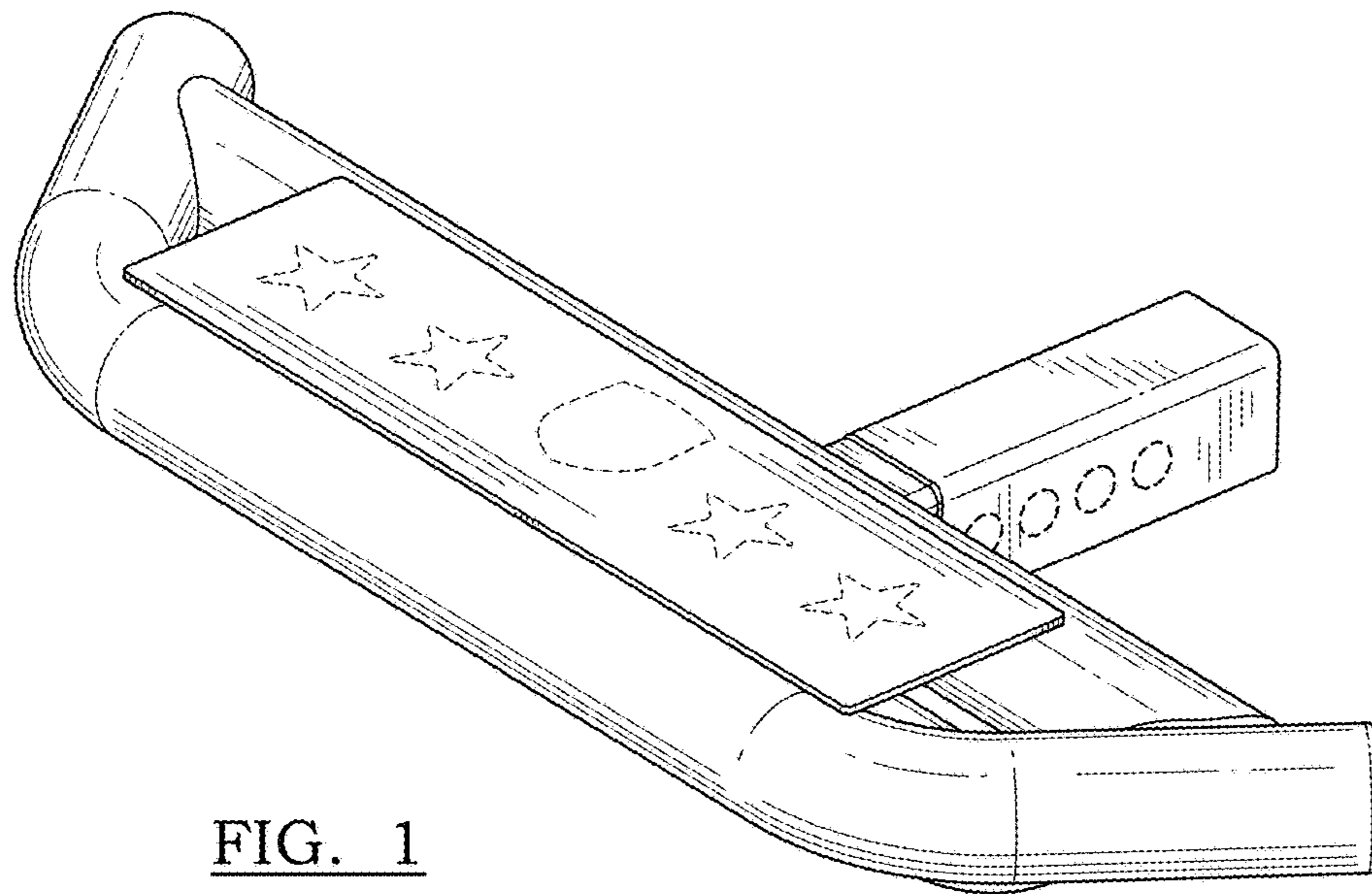


FIG. 1

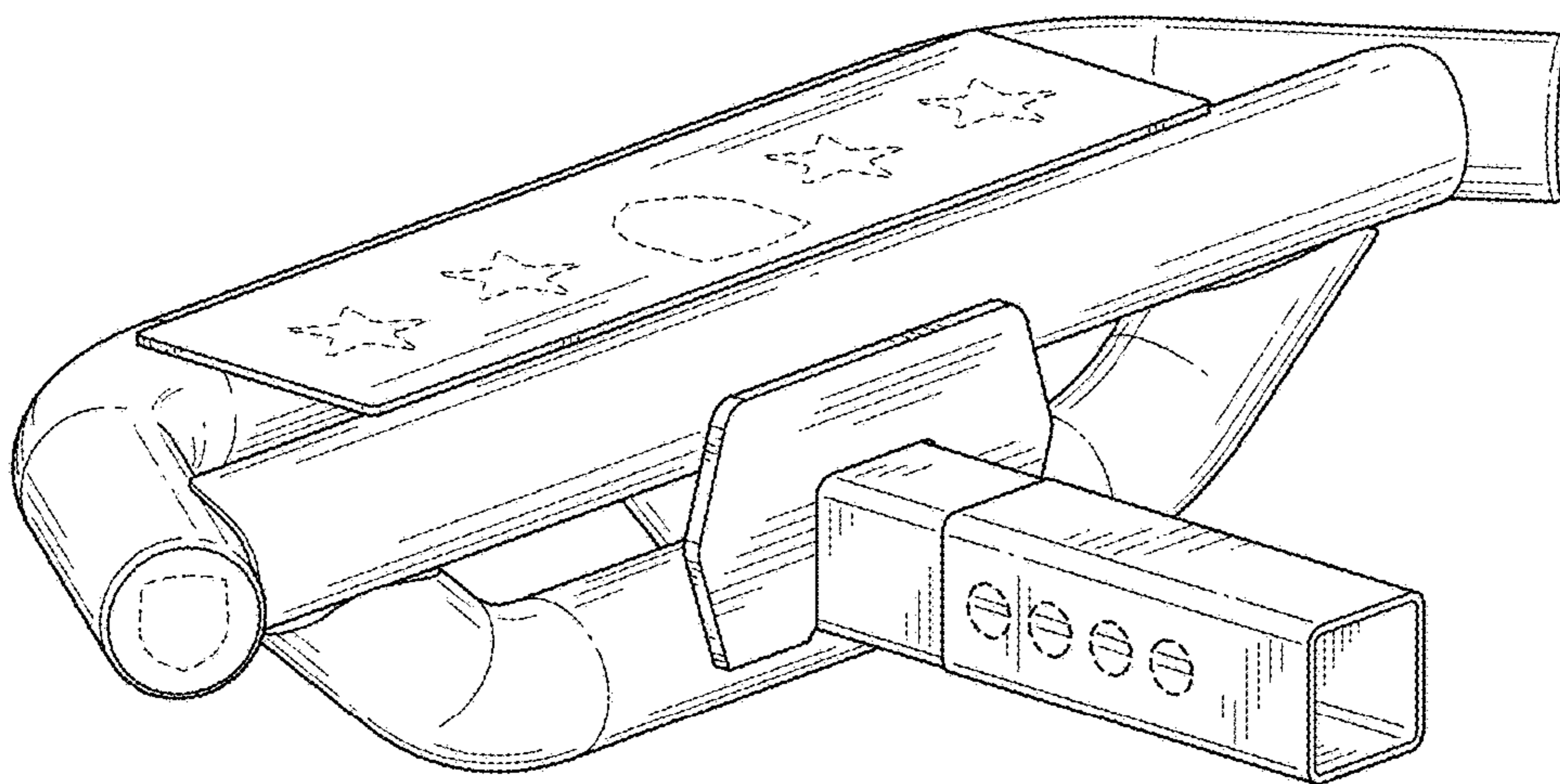


FIG. 2

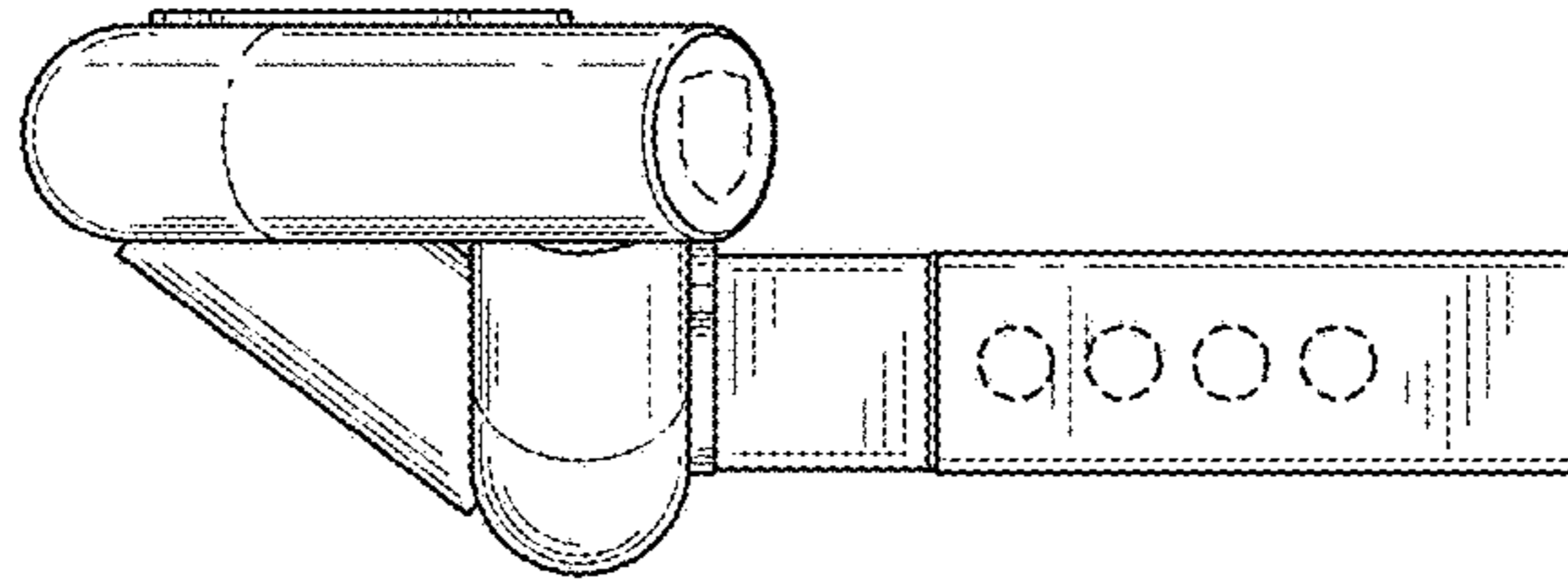


FIG. 3

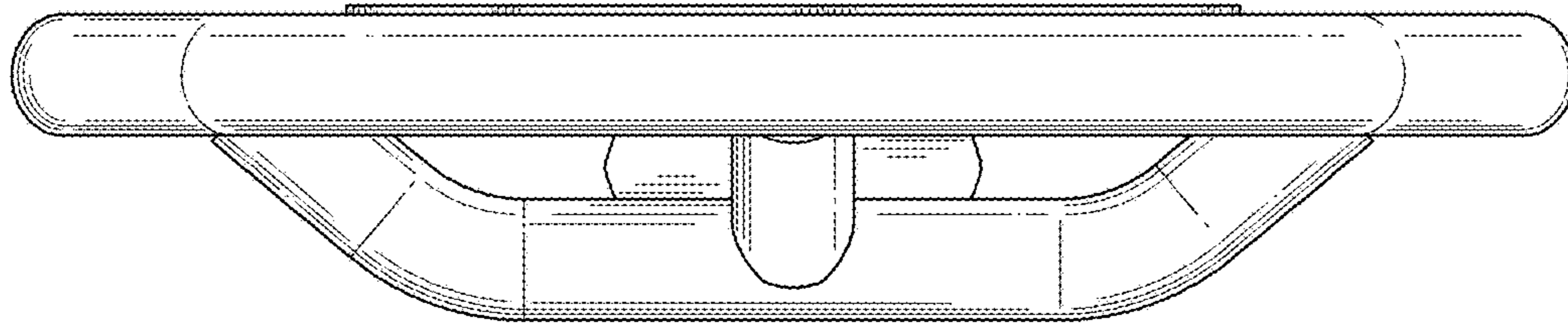


FIG. 4

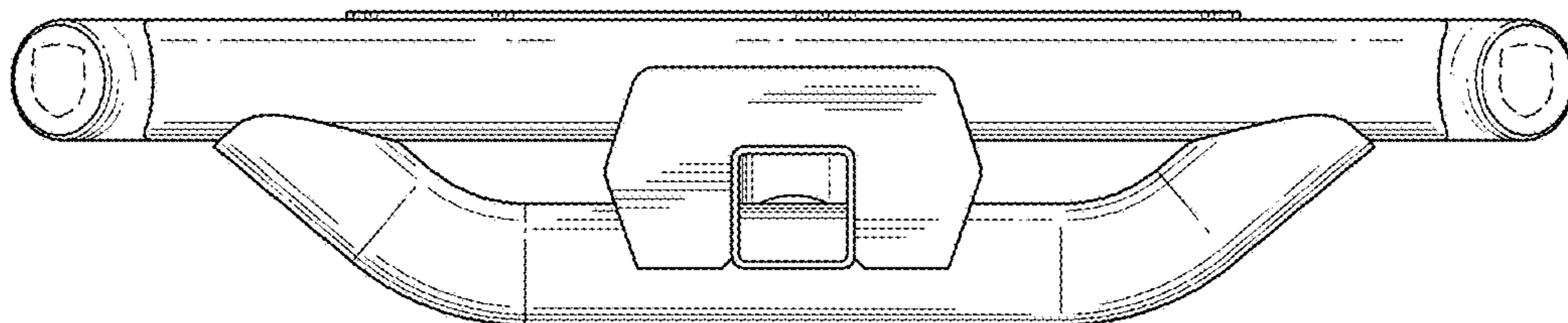


FIG. 5

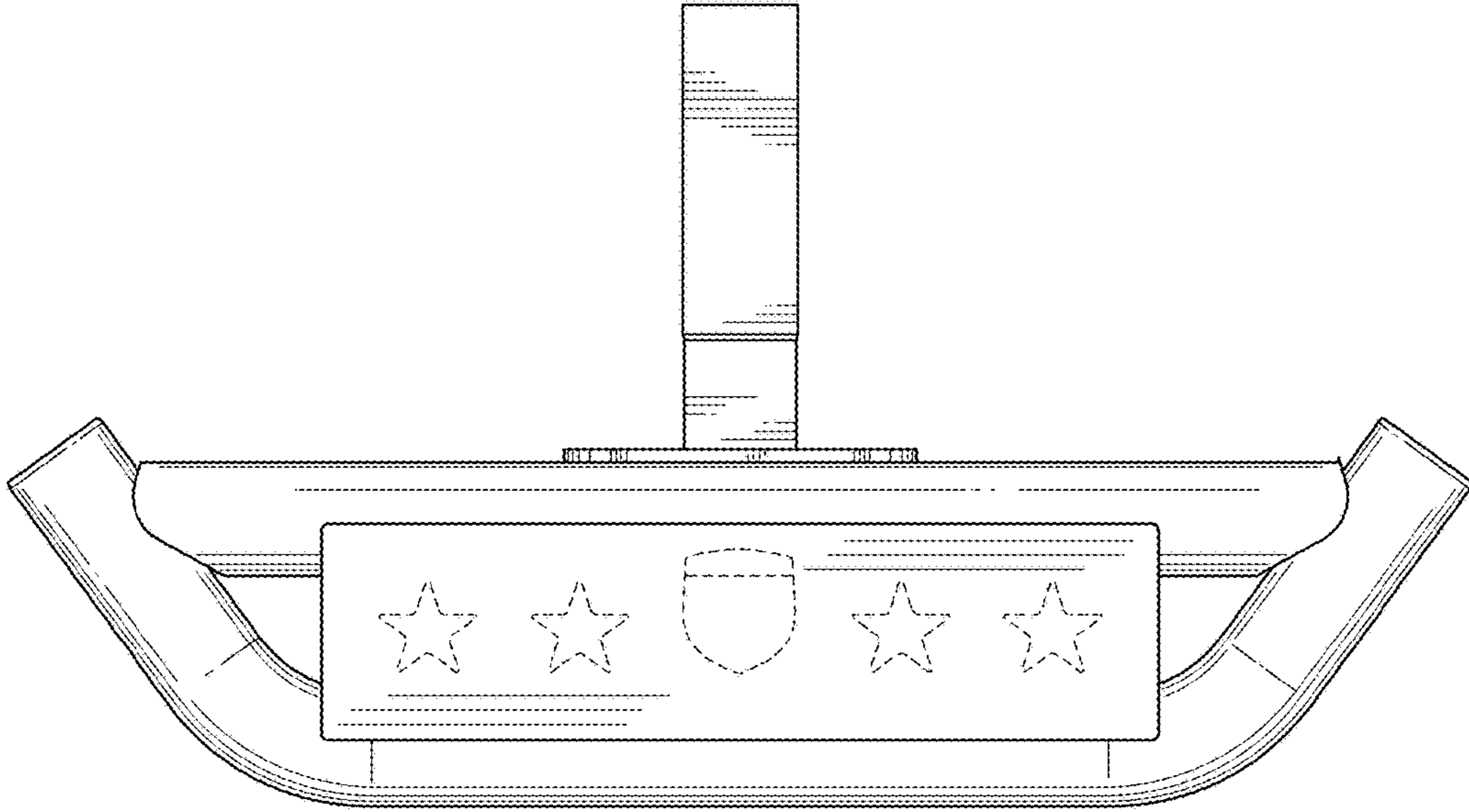


FIG. 6

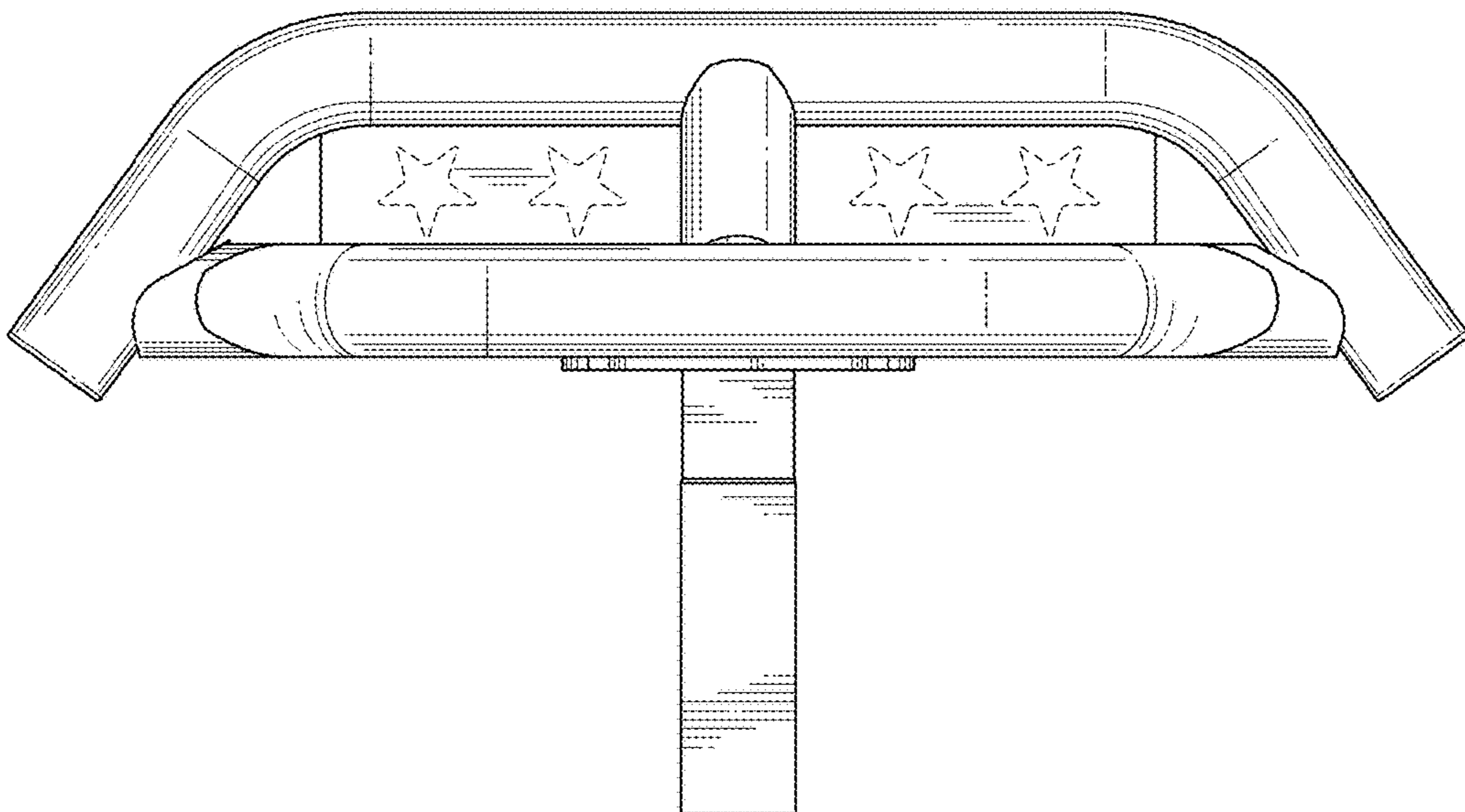


FIG. 7

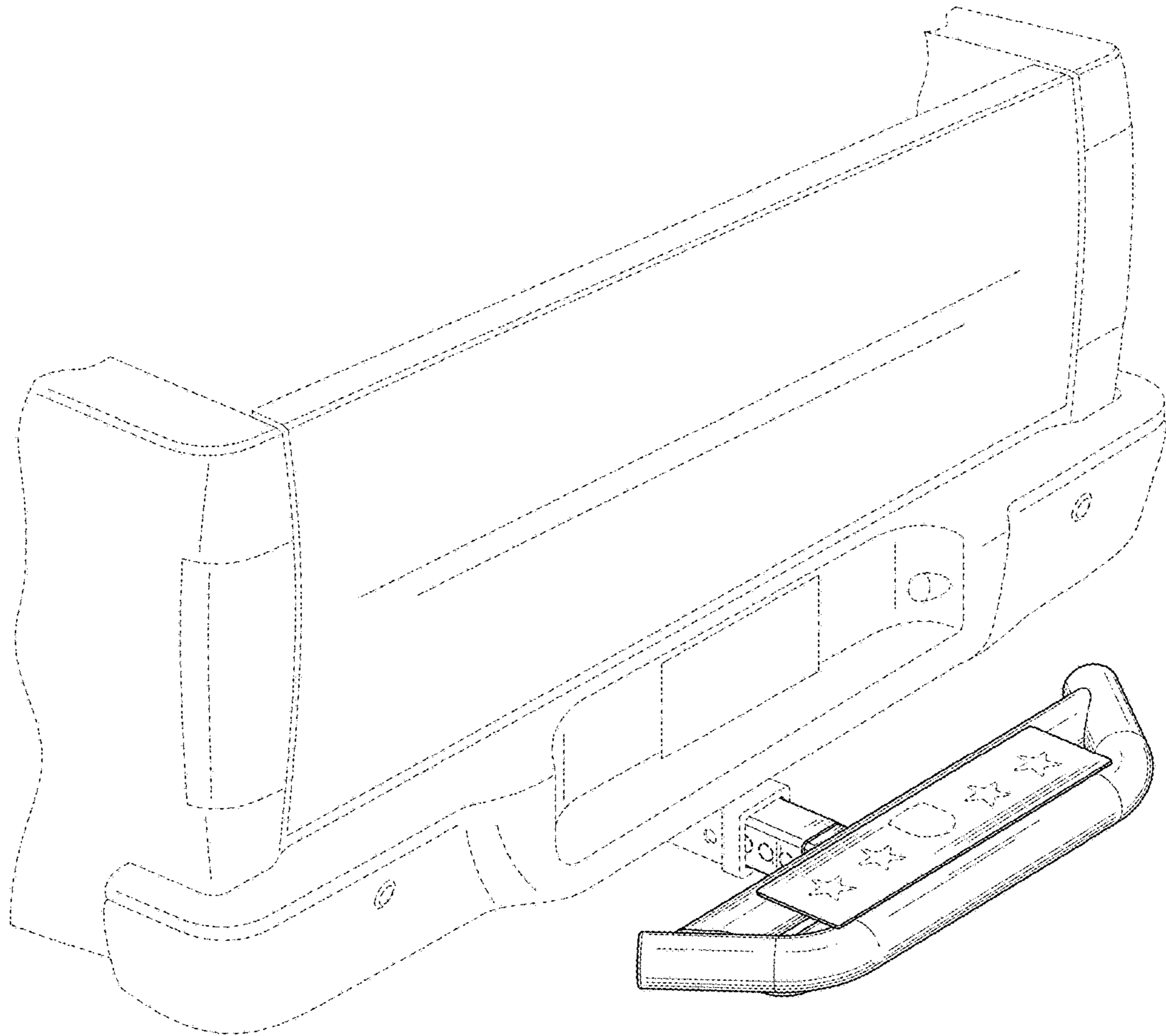


FIG. 8