



US00D858399S

(12) **United States Design Patent**
Storer

(10) **Patent No.:** **US D858,399 S**

(45) **Date of Patent:** **** Sep. 3, 2019**

(54) **VEHICULAR TRAILER HITCH STEP**

(71) Applicant: **Discover, LLC**, Brea, CA (US)

(72) Inventor: **Ron Storer**, Brea, CA (US)

(73) Assignee: **DISCOVER, LLC**, Brea, CA (US)

(**) Term: **15 Years**

(21) Appl. No.: **29/621,007**

(22) Filed: **Oct. 3, 2017**

(51) **LOC (12) Cl.** **12-16**

(52) **U.S. Cl.**
USPC **D12/203**

(58) **Field of Classification Search**
USPC D12/203, 89, 98, 314, 159, 160, 161,
D12/162, 196
CPC . B60D 1/60; B60D 1/065; B60D 1/00; B60D
1/06; B60R 3/002; B60R 3/02; B60R
3/00; B60R 3/005; B60R 3/007
See application file for complete search history.

(56) **References Cited**

U.S. PATENT DOCUMENTS

D532,354 S *	11/2006	Storer	D12/203
D549,623 S *	8/2007	Gaddy	B60R 3/00
				D12/162
D695,665 S *	12/2013	Masanek, Jr.	B60D 1/58
				D12/203
8,851,495 B1 *	10/2014	Masanek, Jr.	B60R 3/00
				280/163
D796,405 S *	9/2017	Atkins	D12/203
D815,003 S *	4/2018	MacNeil	D12/203
D835,020 S *	12/2018	MacNeil	D12/203

D843,905 S * 3/2019 Guo B60D 1/06
D12/203

D847,061 S * 4/2019 MacNeil D12/203
2003/0011164 A1 * 1/2003 Cipolla B60R 3/007

2013/0270791 A1 * 10/2013 Anderson B60R 3/007
280/164.1

2014/0054874 A1 * 2/2014 Masanek, Jr. B60D 1/36
280/163

2018/0111431 A1 * 4/2018 MacNeil B29C 45/14811
280/477

* cited by examiner

Primary Examiner — Katrina A Betton

(74) *Attorney, Agent, or Firm* — Klein, O'Neill & Singh,
LLP

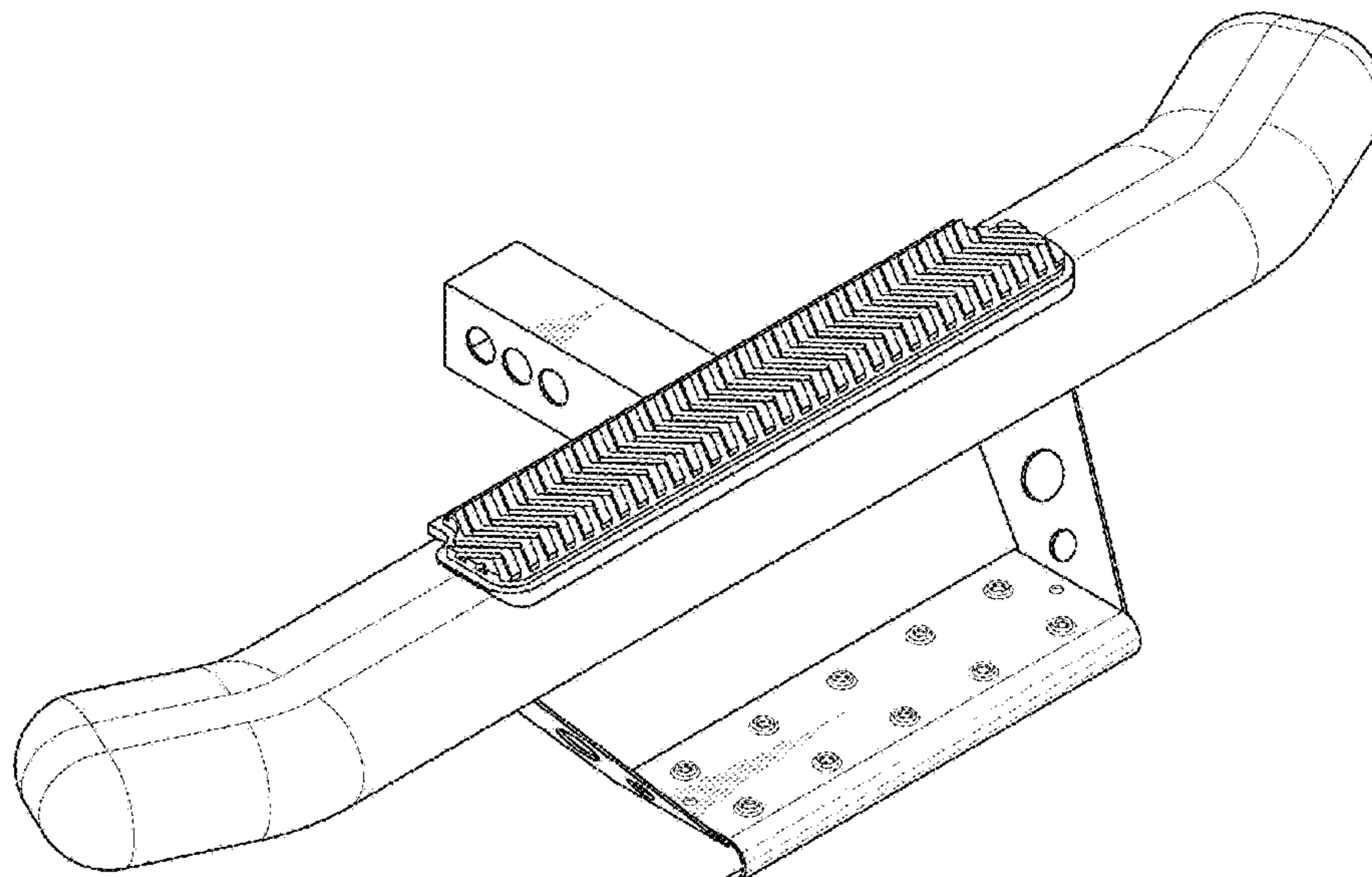
(57) **CLAIM**

The ornamental design for a vehicular trailer hitch step, as shown.

DESCRIPTION

FIG. 1 is a top, front perspective view of a vehicular trailer hitch step in accordance with my new design;
FIG. 2 is a top plan view of the vehicular trailer hitch step of FIG. 1;
FIG. 3 is a bottom plan view of the vehicular trailer hitch step of FIG. 1;
FIG. 4 is a front elevation view of the vehicular trailer hitch step of FIG. 1;
FIG. 5 is a rear elevation view of the vehicular trailer hitch step of FIG. 1;
FIG. 6 is a left side elevation view of the vehicular trailer hitch step of FIG. 1; and,
FIG. 7 is a right side elevation view of the vehicular trailer hitch step of FIG. 1.

1 Claim, 3 Drawing Sheets



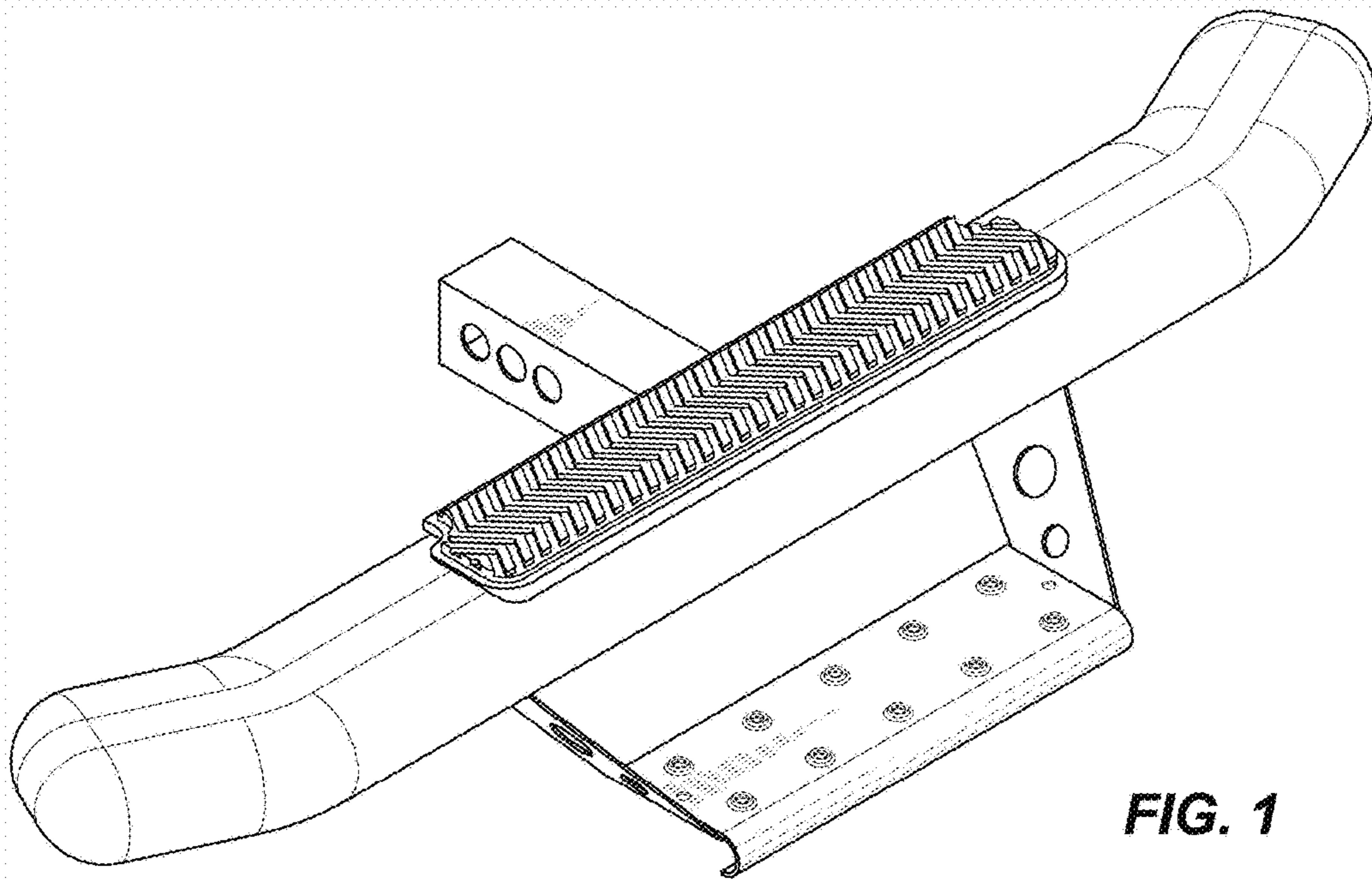


FIG. 1

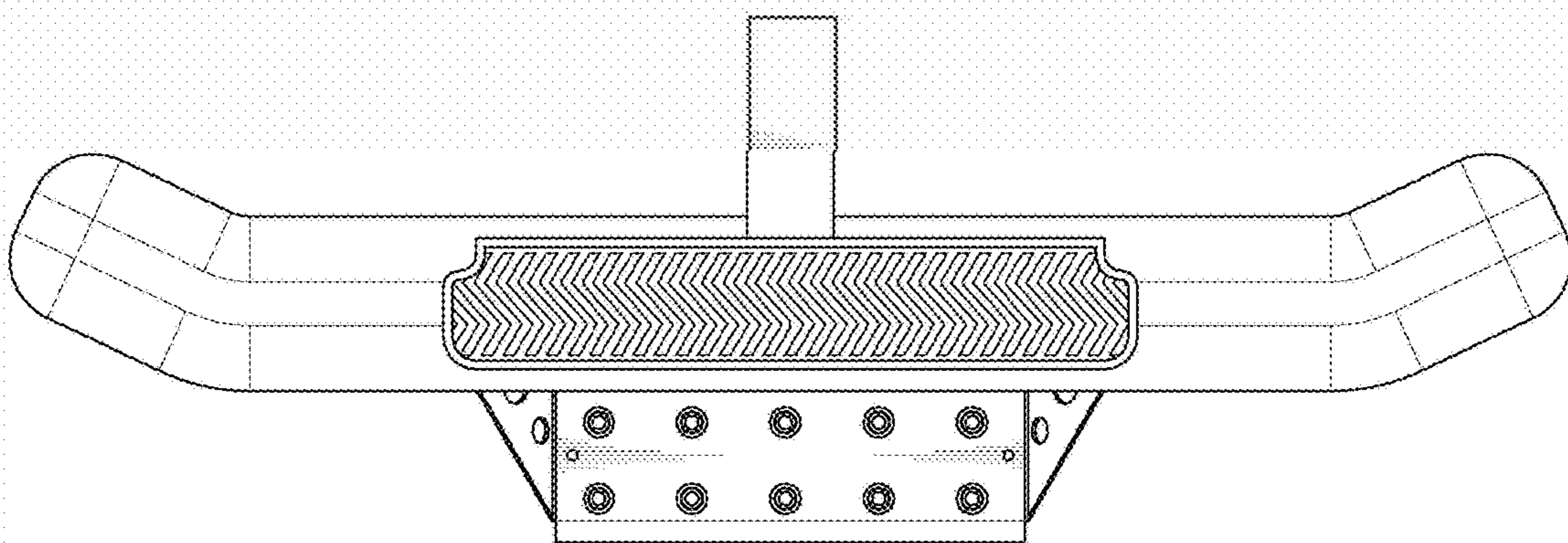


FIG. 2

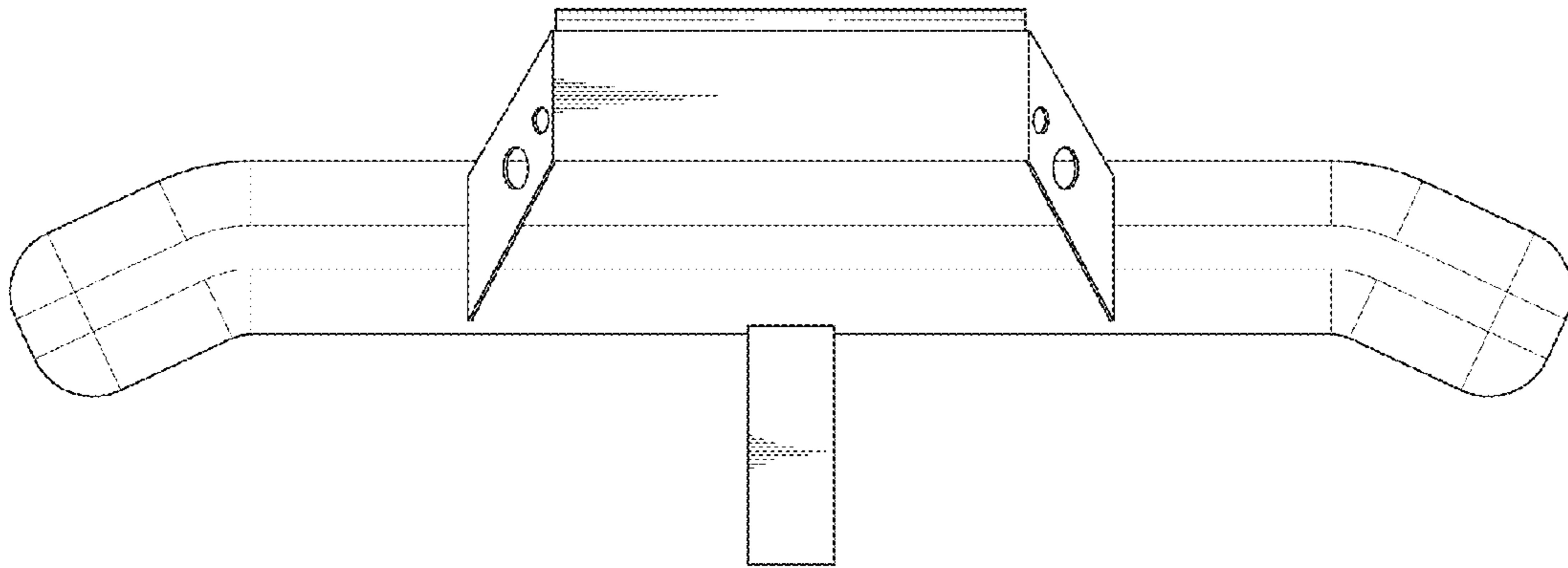


FIG. 3

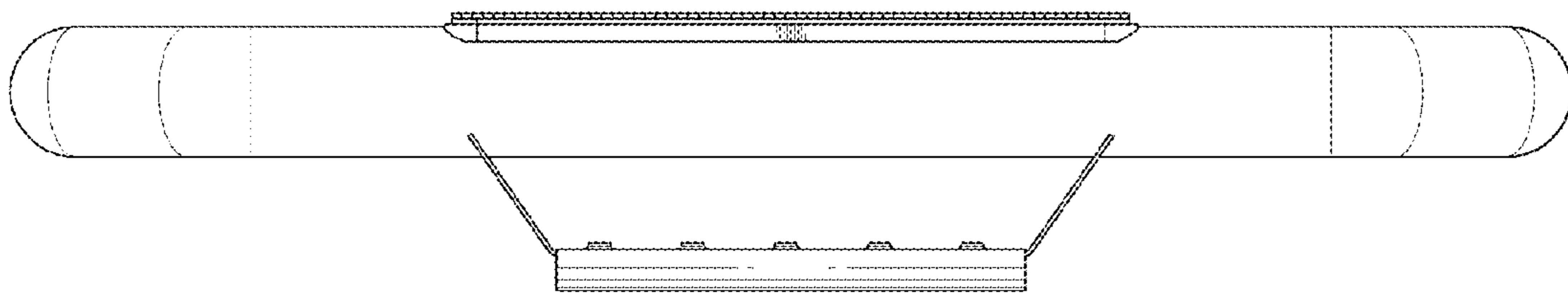


FIG. 4

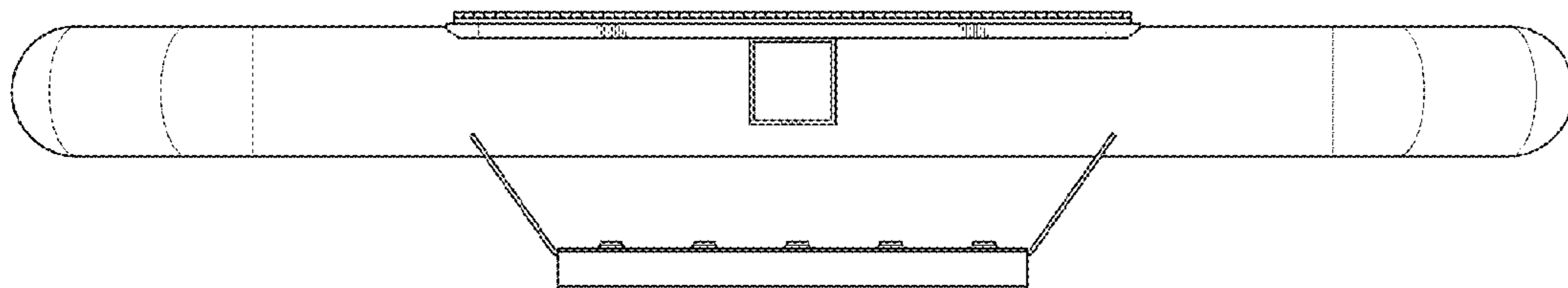


FIG. 5

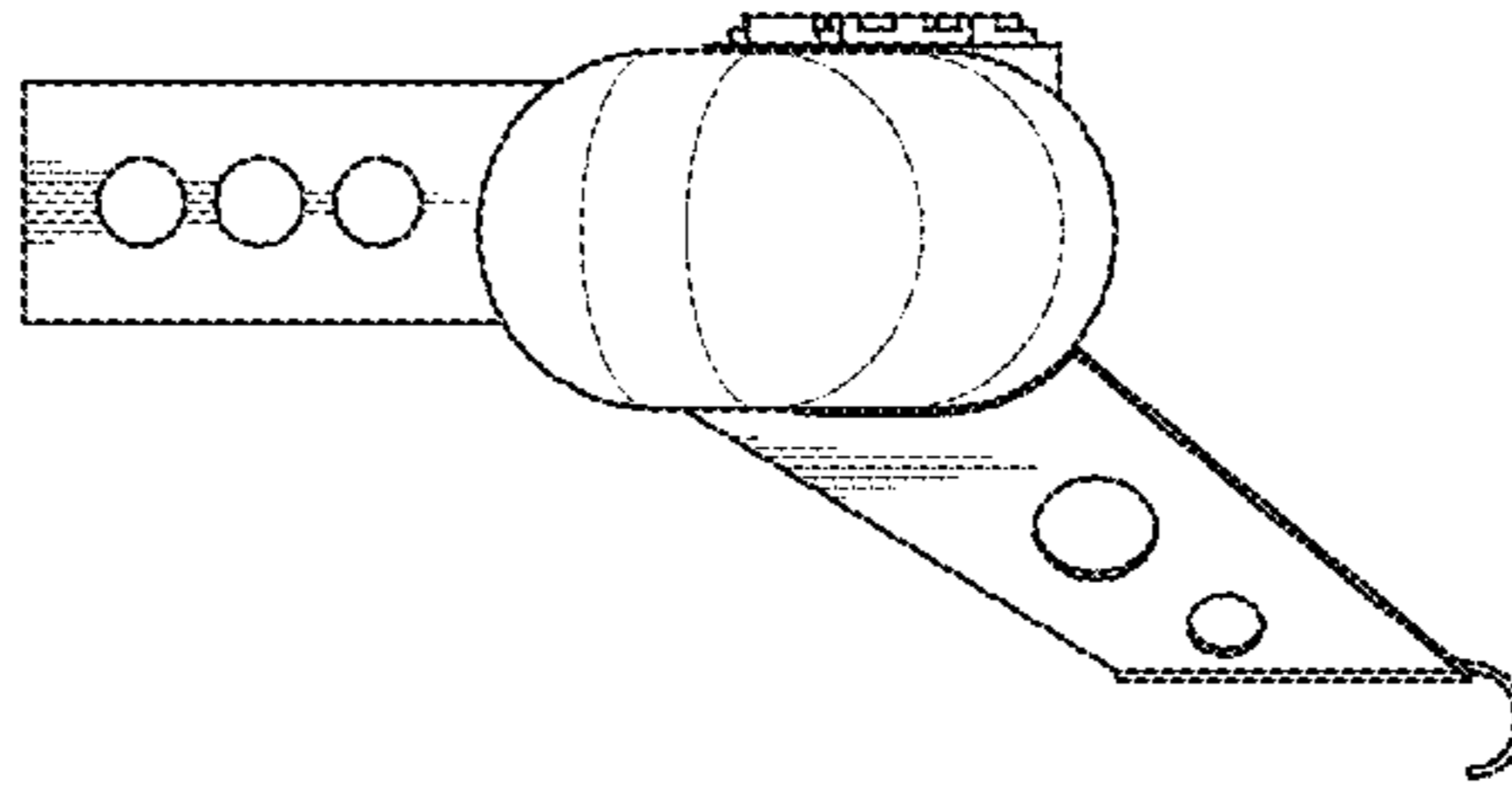


FIG. 6

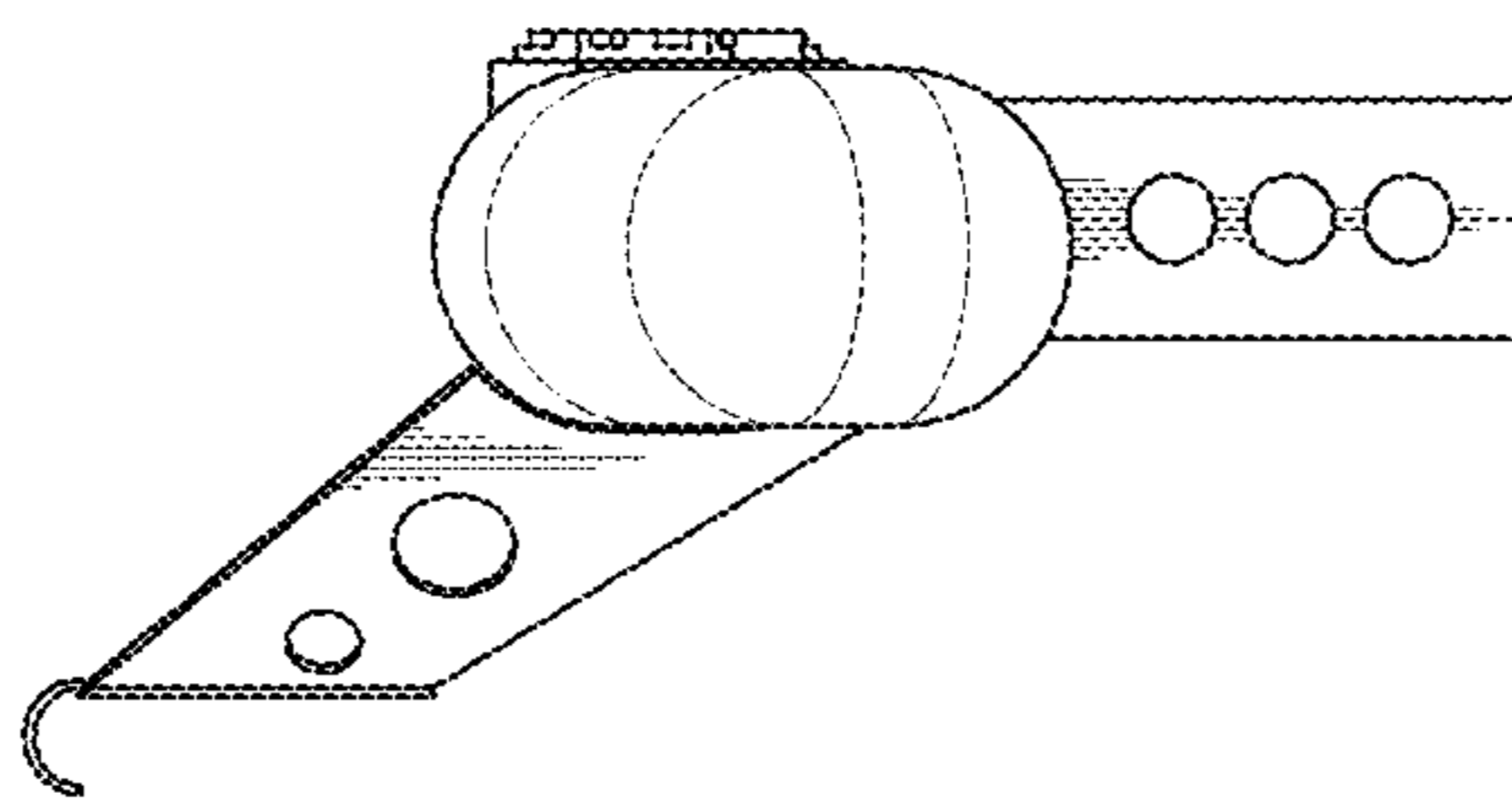


FIG. 7