



US00D858397S

(12) **United States Design Patent** (10) **Patent No.:** **US D858,397 S**  
**Storer** (45) **Date of Patent:** **\*\* Sep. 3, 2019**

(54) **VEHICULAR TRAILER HITCH STEP**

(71) Applicant: **Discover, LLC**, Brea, CA (US)

(72) Inventor: **Ron Storer**, Brea, CA (US)

(73) Assignee: **DISCOVER, LLC**, Brea, CA (US)

(\*\*) Term: **15 Years**

(21) Appl. No.: **29/619,996**

(22) Filed: **Oct. 3, 2017**

(51) **LOC (12) Cl.** ..... **12-16**

(52) **U.S. Cl.**

USPC ..... **D12/203**

(58) **Field of Classification Search**

USPC ..... D12/203, 89, 98, 314, 159, 160, 161,  
D12/162, 196

CPC . B60D 1/60; B60D 1/065; B60D 1/00; B60D  
1/06; B60R 3/002; B60R 3/02; B60R  
3/00; B60R 3/005; B60R 3/007

See application file for complete search history.

(56) **References Cited**

**U.S. PATENT DOCUMENTS**

D532,354 S *	11/2006	Storer	.....	D12/203
D549,623 S *	8/2007	Gaddy	.....	B60R 3/00
				D12/162
D695,665 S *	12/2013	Masanek, Jr.	.....	B60D 1/58
				D12/203
8,851,495 B1 *	10/2014	Masanek, Jr.	.....	B60R 3/00
				280/163
D796,405 S *	9/2017	Atkins	.....	D12/203
D815,003 S *	4/2018	MacNeil	.....	D12/203
D835,020 S *	12/2018	MacNeil	.....	D12/203
D843,905 S *	3/2019	Guo	.....	B60D 1/06
				D12/203
D847,061 S *	4/2019	MacNeil	.....	D12/203
2003/0011164 A1 *	1/2003	Cipolla	.....	B60R 3/007
				280/164.1

(Continued)

*Primary Examiner* — Katrina A Betton

(74) *Attorney, Agent, or Firm* — Klein, O'Neill & Singh, LLP

(57) **CLAIM**

The ornamental design for a vehicular trailer hitch step, as shown.

**DESCRIPTION**

FIG. 1 is a top, front perspective view of a vehicular trailer hitch step in accordance with a first embodiment of my new design;

FIG. 2 is a top plan view of the vehicular trailer hitch step of FIG. 1;

FIG. 3 is a bottom plan view of the vehicular trailer hitch step of FIG. 1;

FIG. 4 is a front elevation view of the vehicular trailer hitch step of FIG. 1;

FIG. 5 is a rear elevation view of the vehicular trailer hitch step of FIG. 1;

FIG. 6 is a right side elevation view of the vehicular trailer hitch step of FIG. 1;

FIG. 7 is a left side elevation view of the vehicular trailer hitch step of FIG. 1;

FIG. 8 is a top, front perspective view of a vehicular trailer hitch step in accordance with a second embodiment of my new design;

FIG. 9 is a top plan view of the vehicular trailer hitch step of FIG. 8;

FIG. 10 is a bottom plan view of the vehicular trailer hitch step of FIG. 8;

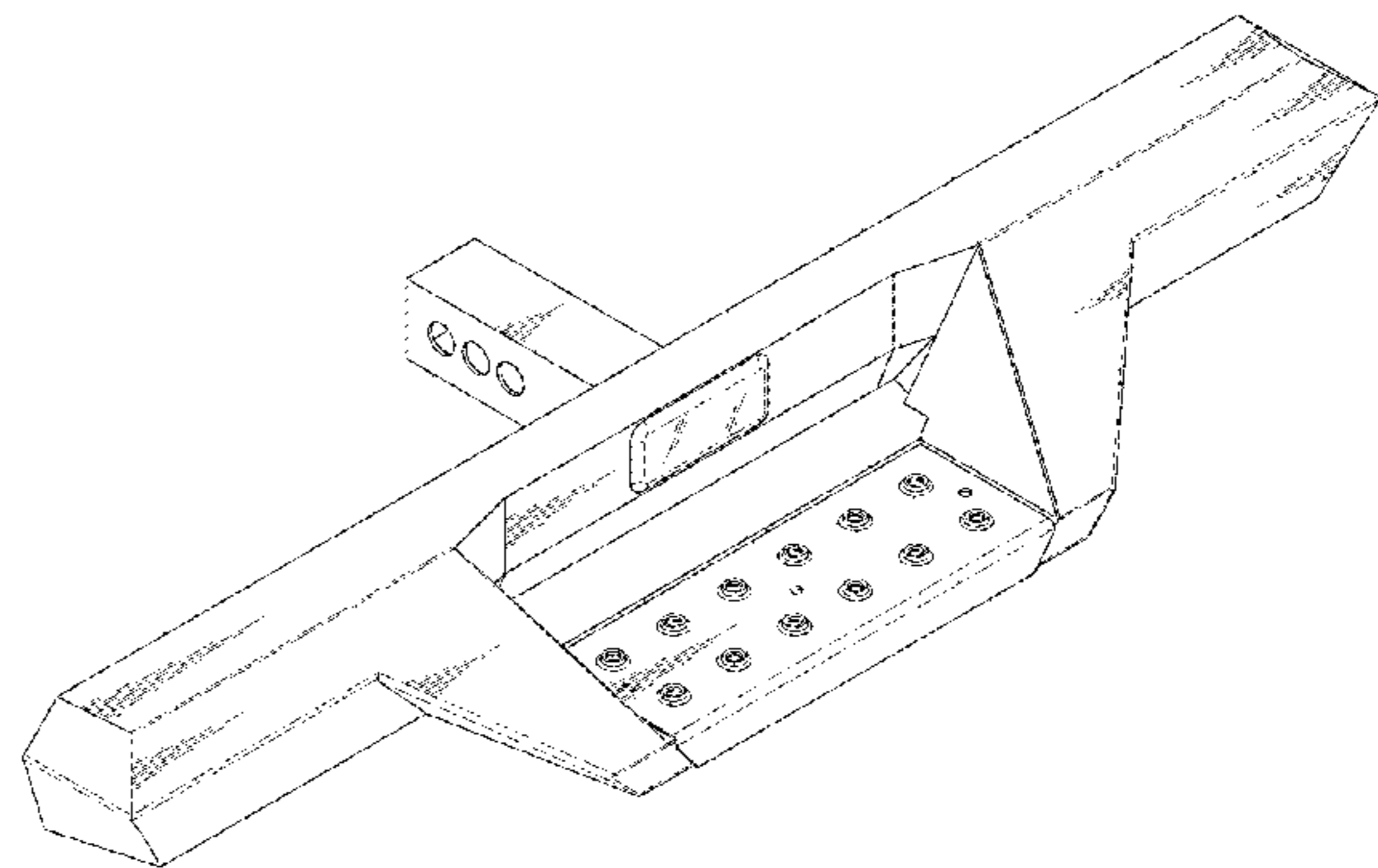
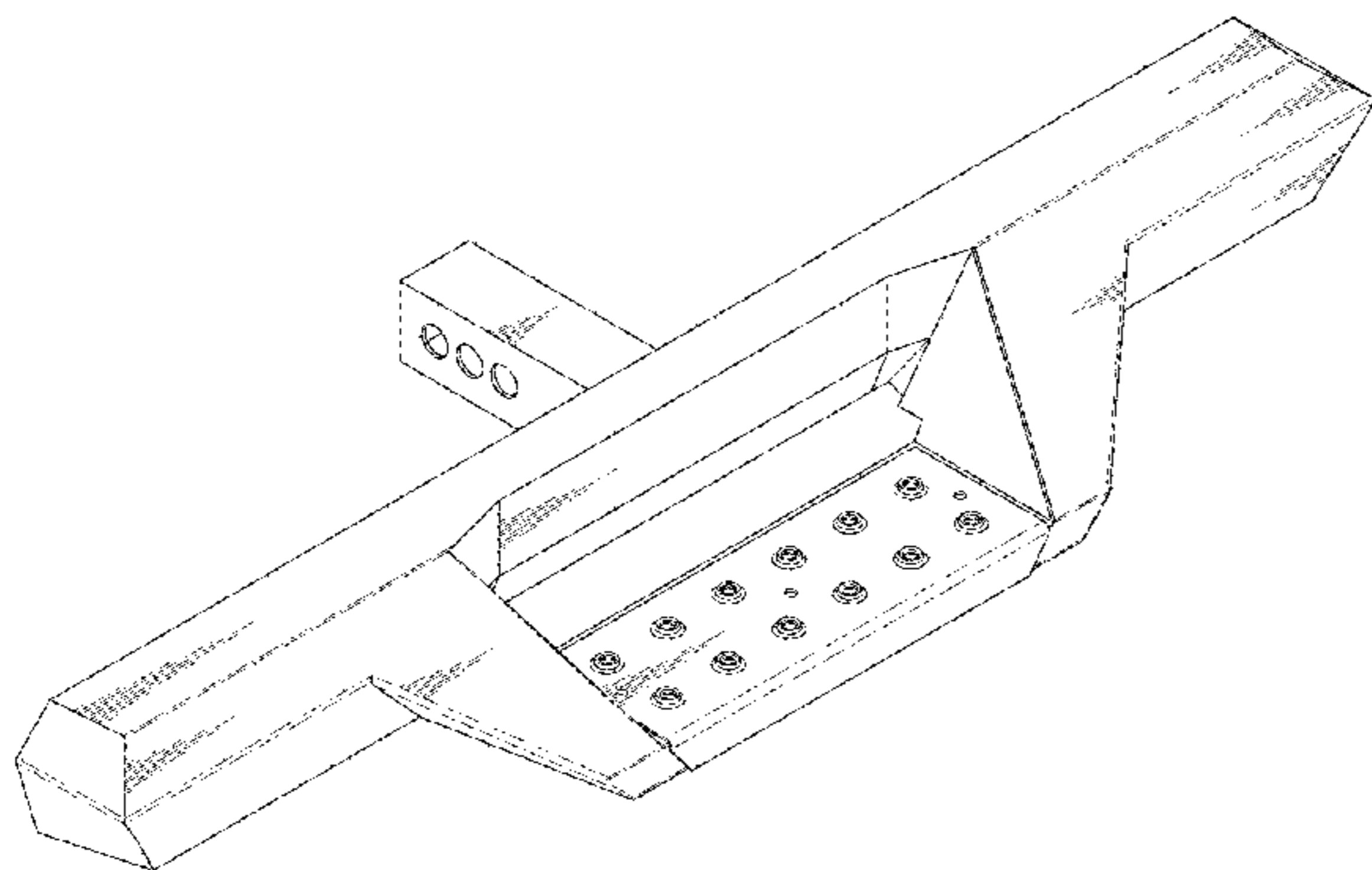
FIG. 11 is a front elevation view of the vehicular trailer hitch step of FIG. 8;

FIG. 12 is a rear elevation view of the vehicular trailer hitch step of FIG. 8;

FIG. 13 is a right side elevation view of the vehicular trailer hitch step of FIG. 8; and,

FIG. 14 is a left side elevation view of the vehicular trailer hitch step of FIG. 8.

**1 Claim, 8 Drawing Sheets**



(56)

**References Cited**

U.S. PATENT DOCUMENTS

2013/0270791 A1\* 10/2013 Anderson ..... B60R 3/007  
280/163  
2014/0054874 A1\* 2/2014 Masanek, Jr. .... B60D 1/36  
280/477  
2018/0111431 A1\* 4/2018 MacNeil ..... B29C 45/14811

\* cited by examiner

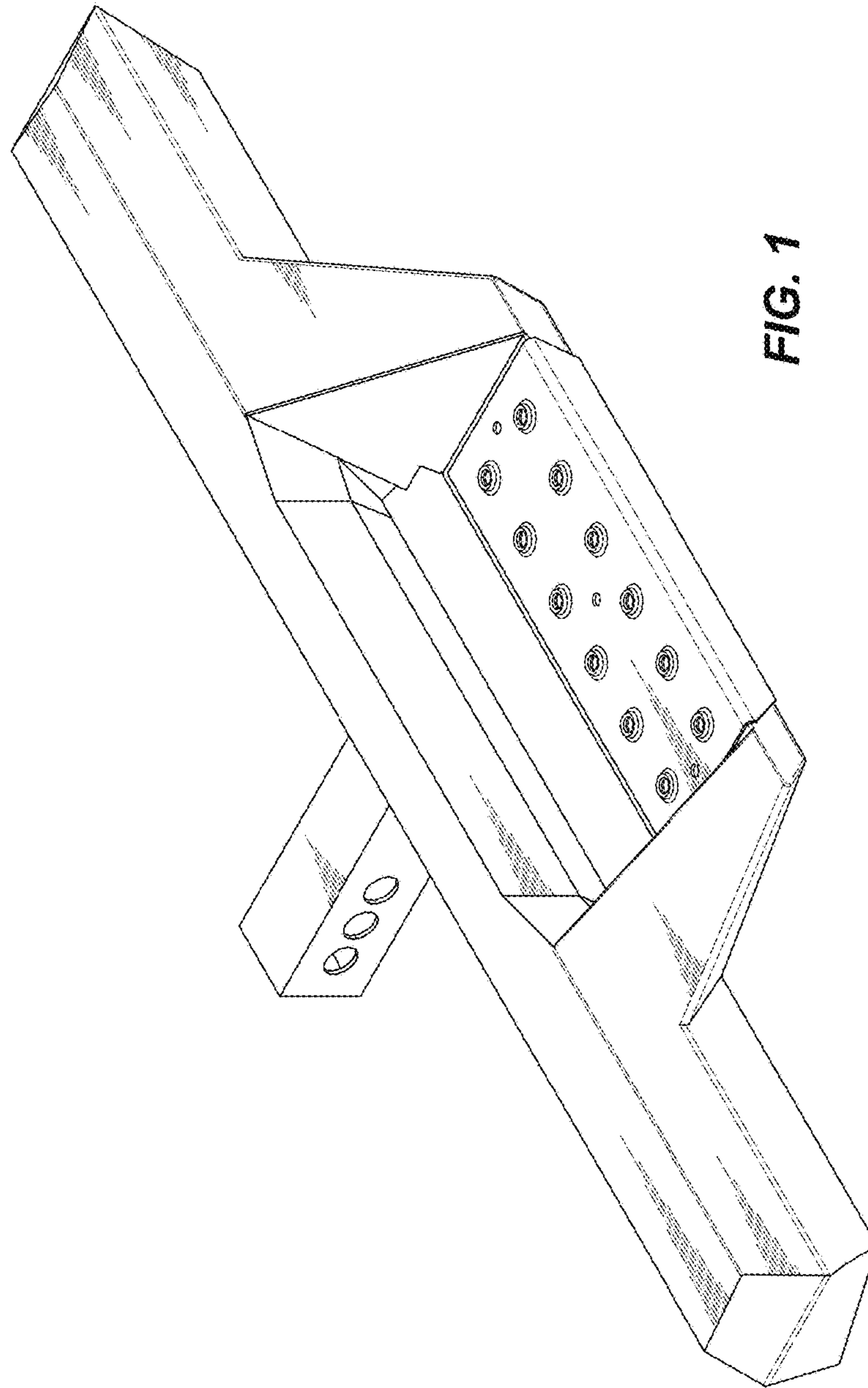


FIG. 1

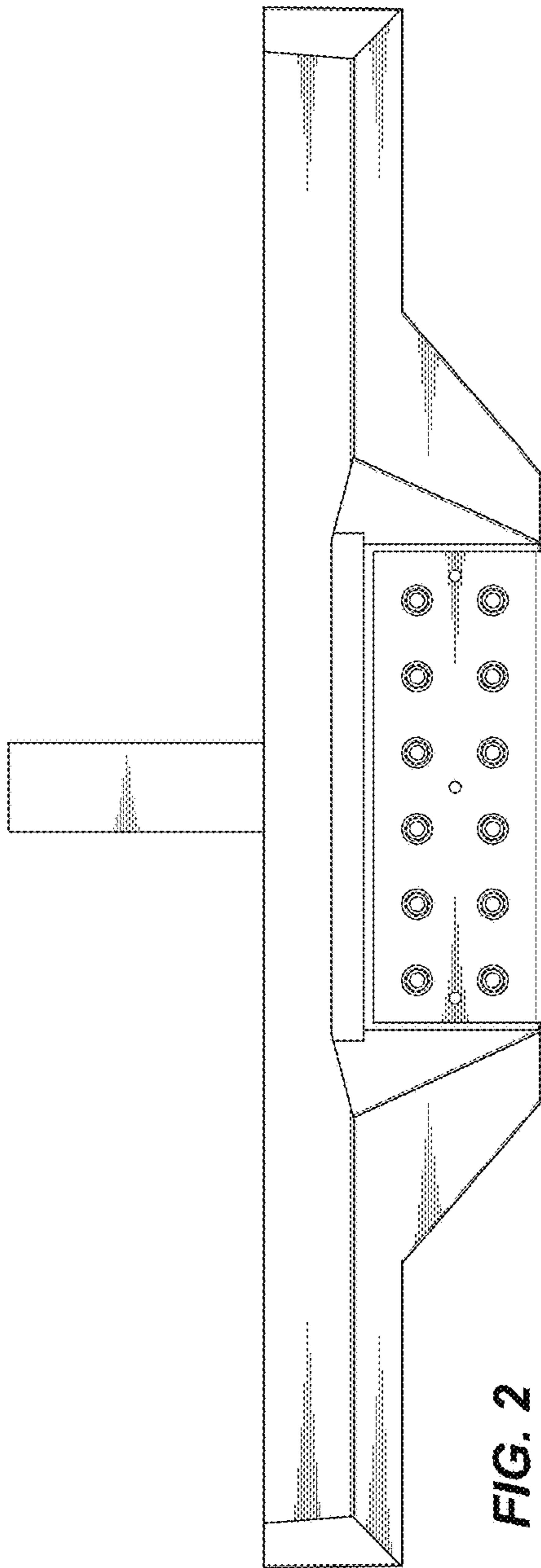


FIG. 2

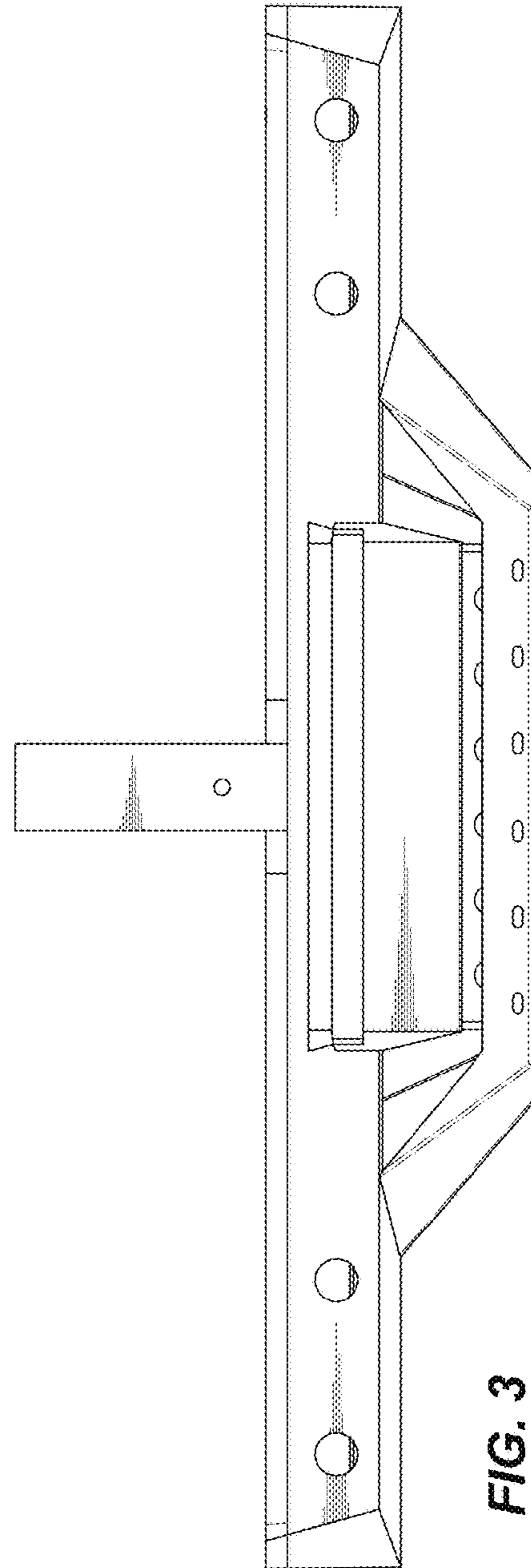


FIG. 3

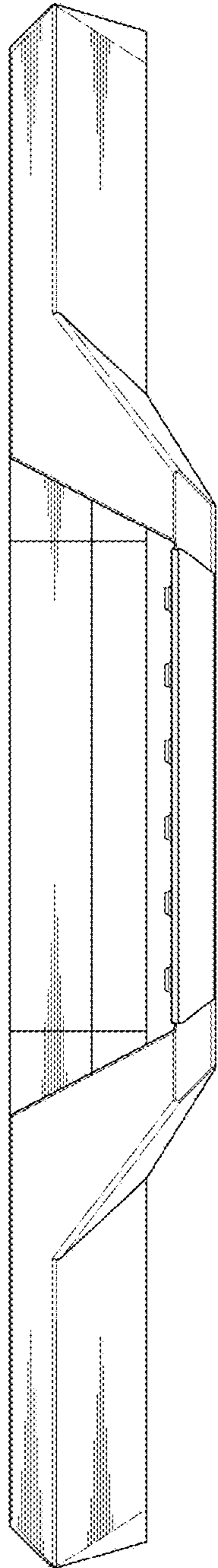


FIG. 4

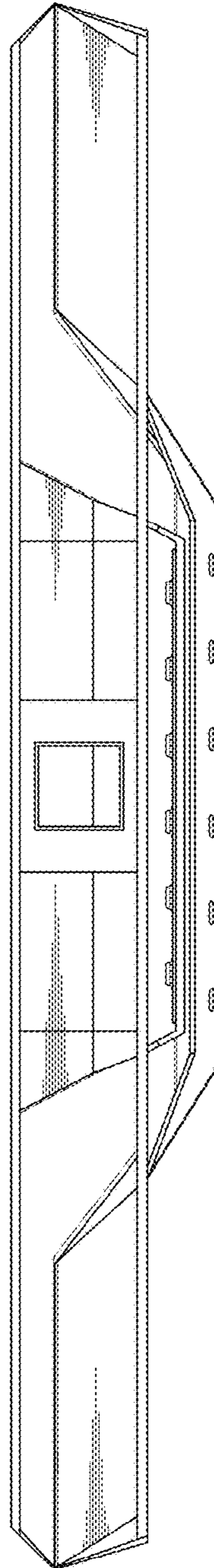


FIG. 5

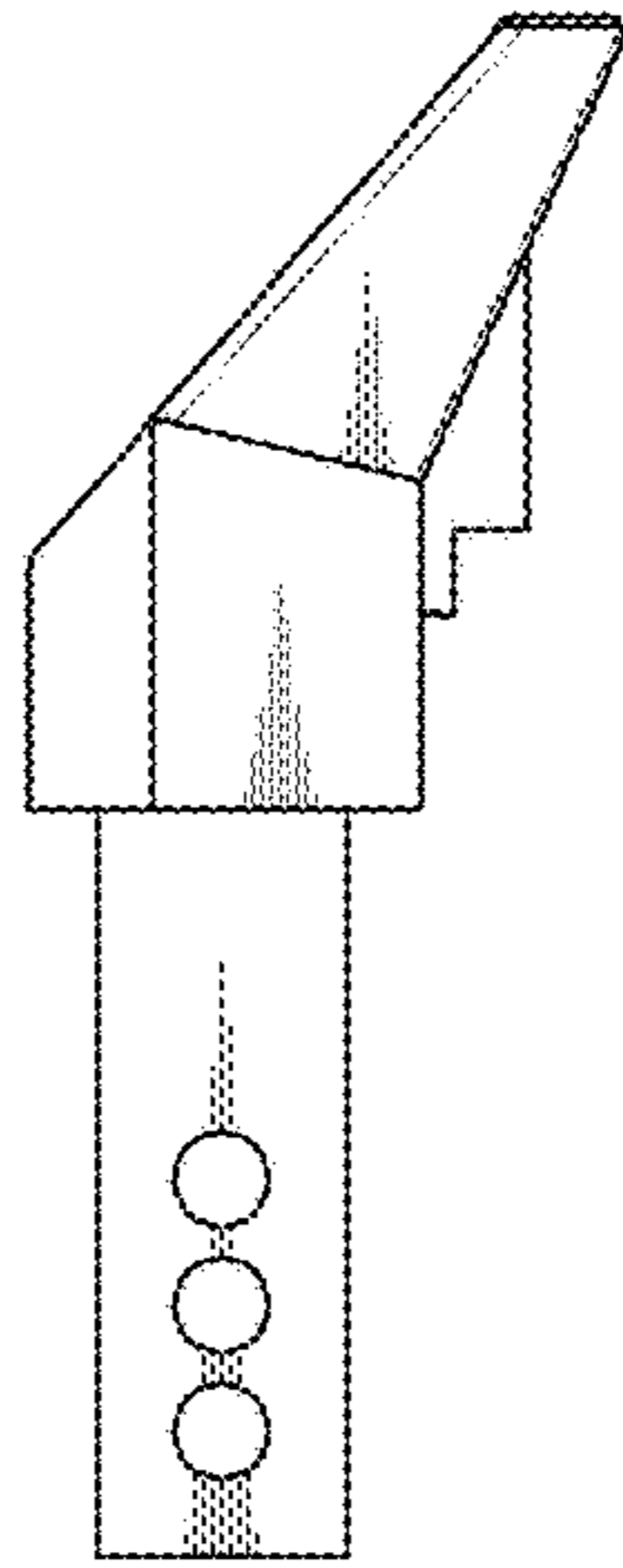


FIG. 7

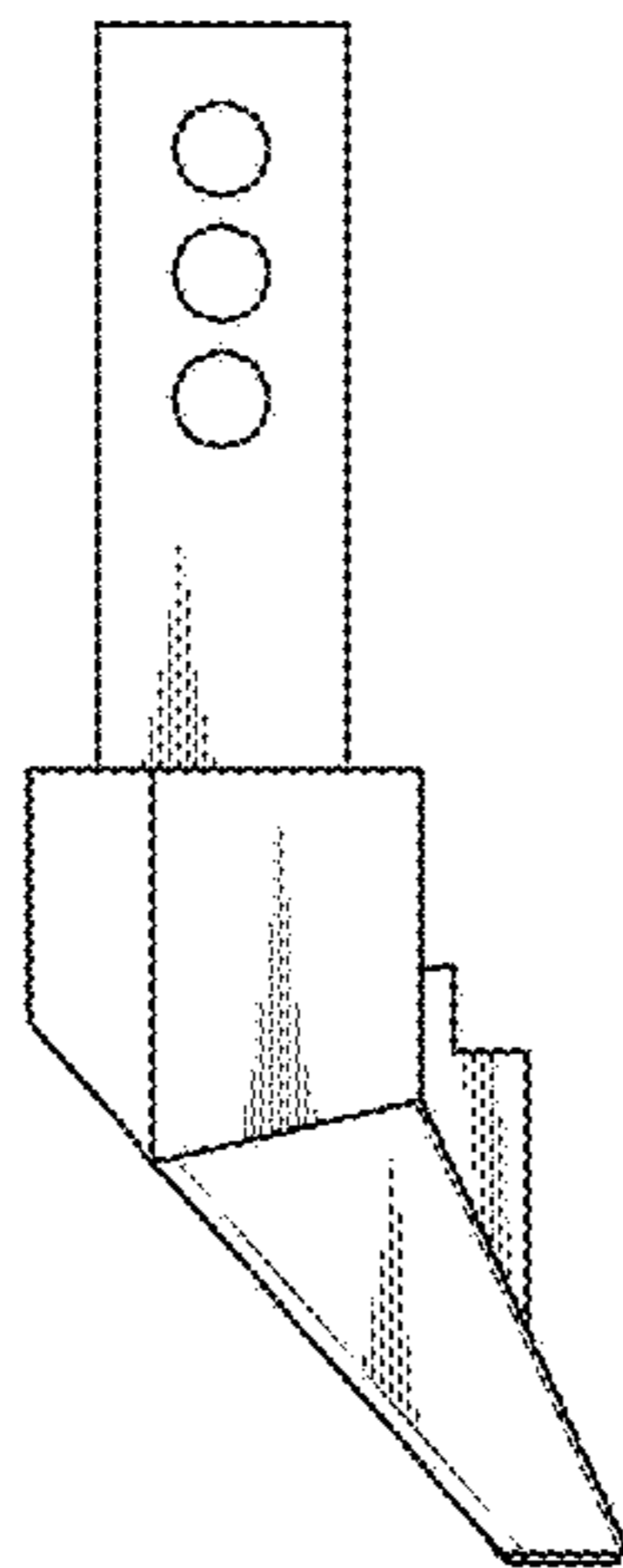


FIG. 6

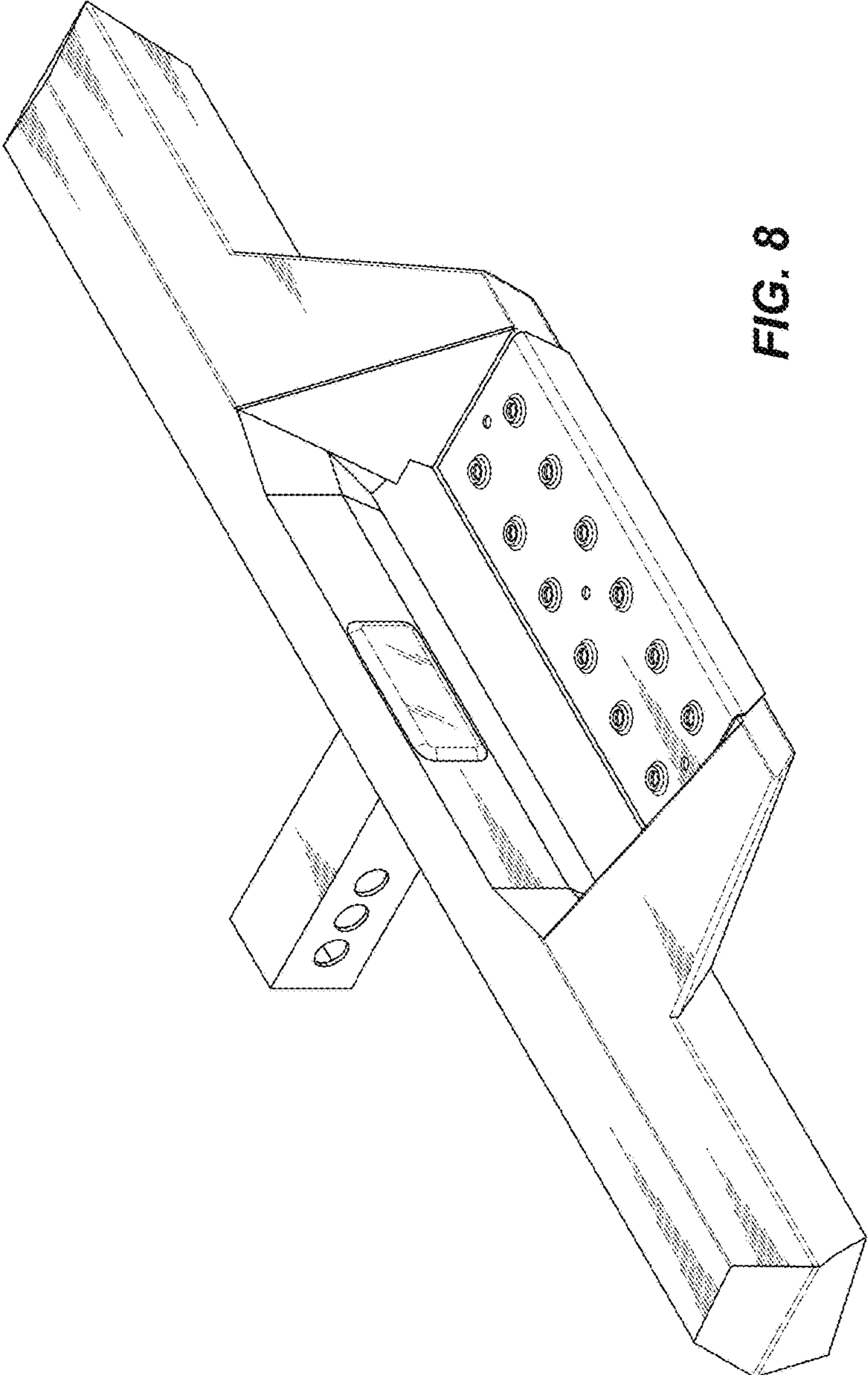
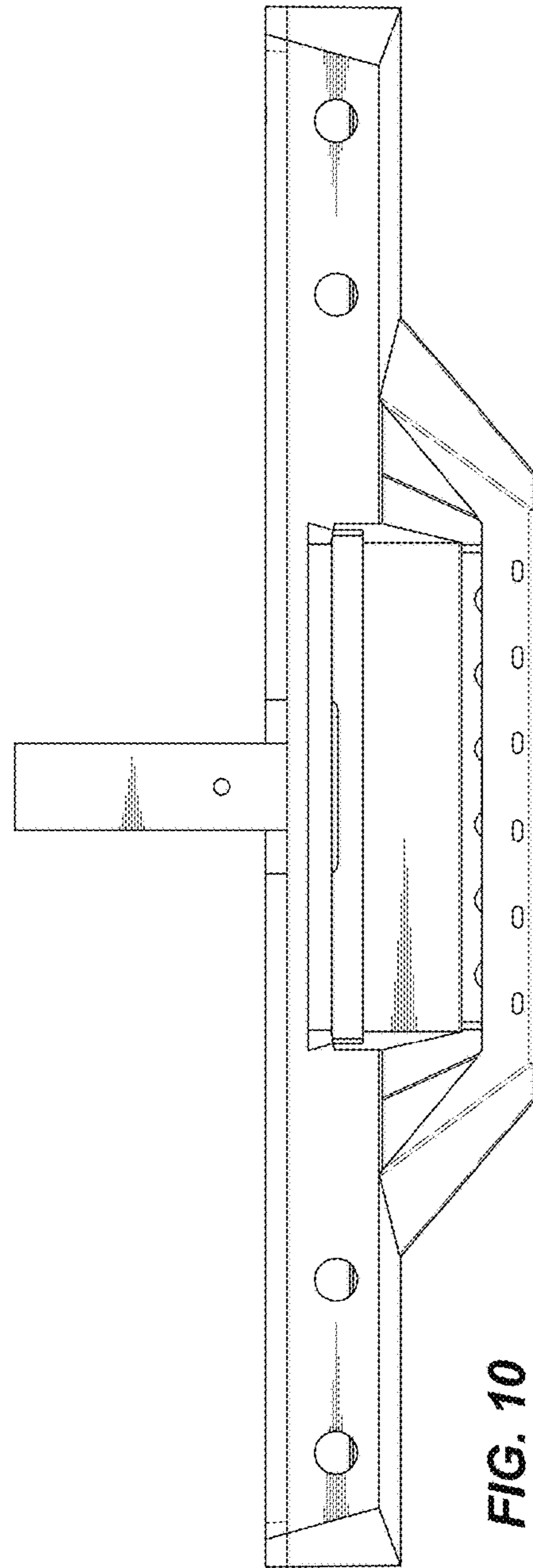
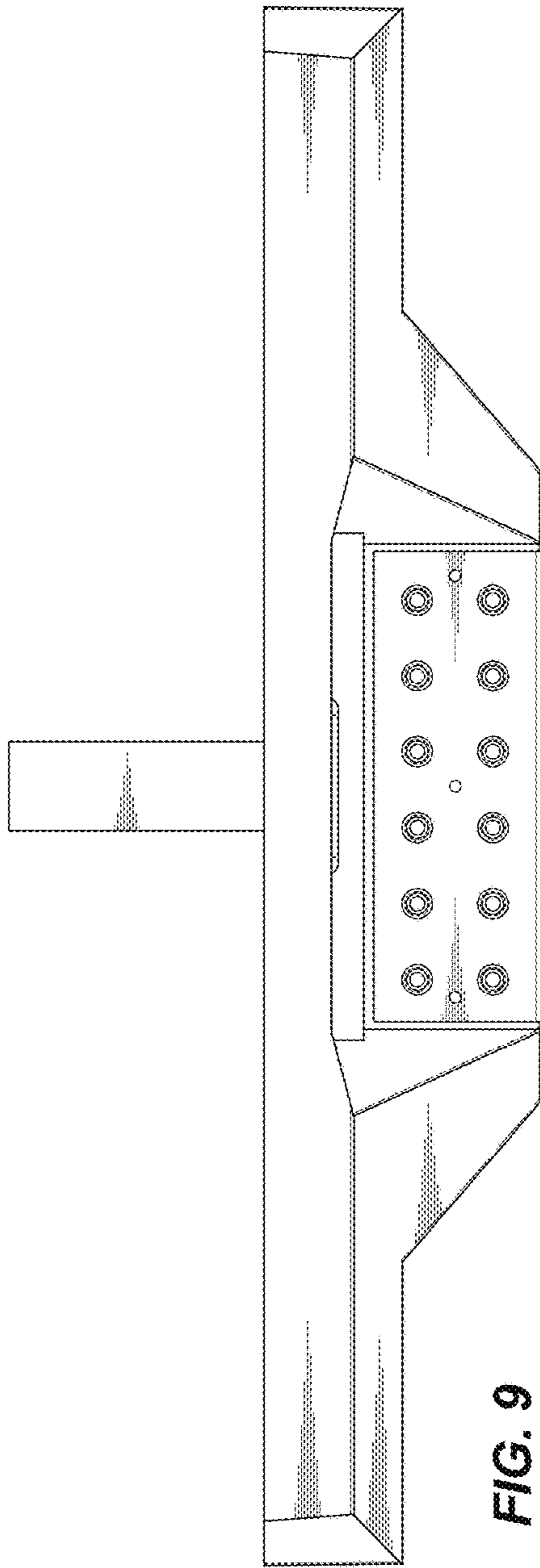


FIG. 8





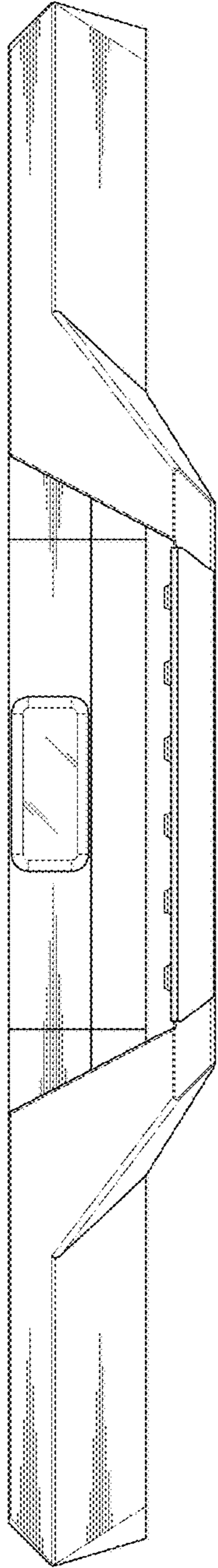


FIG. 11

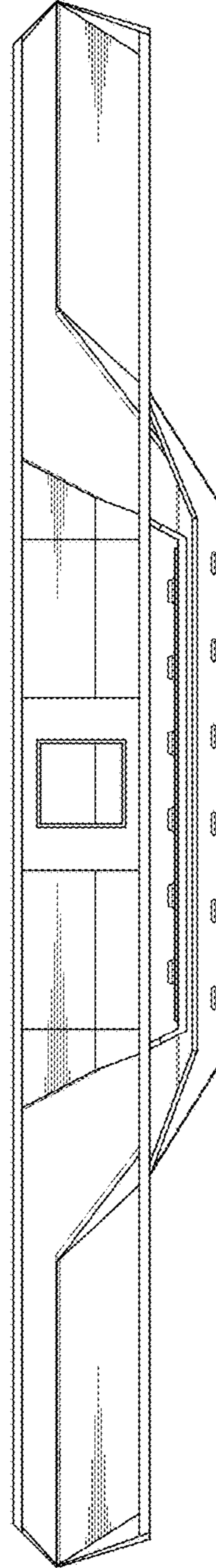


FIG. 12

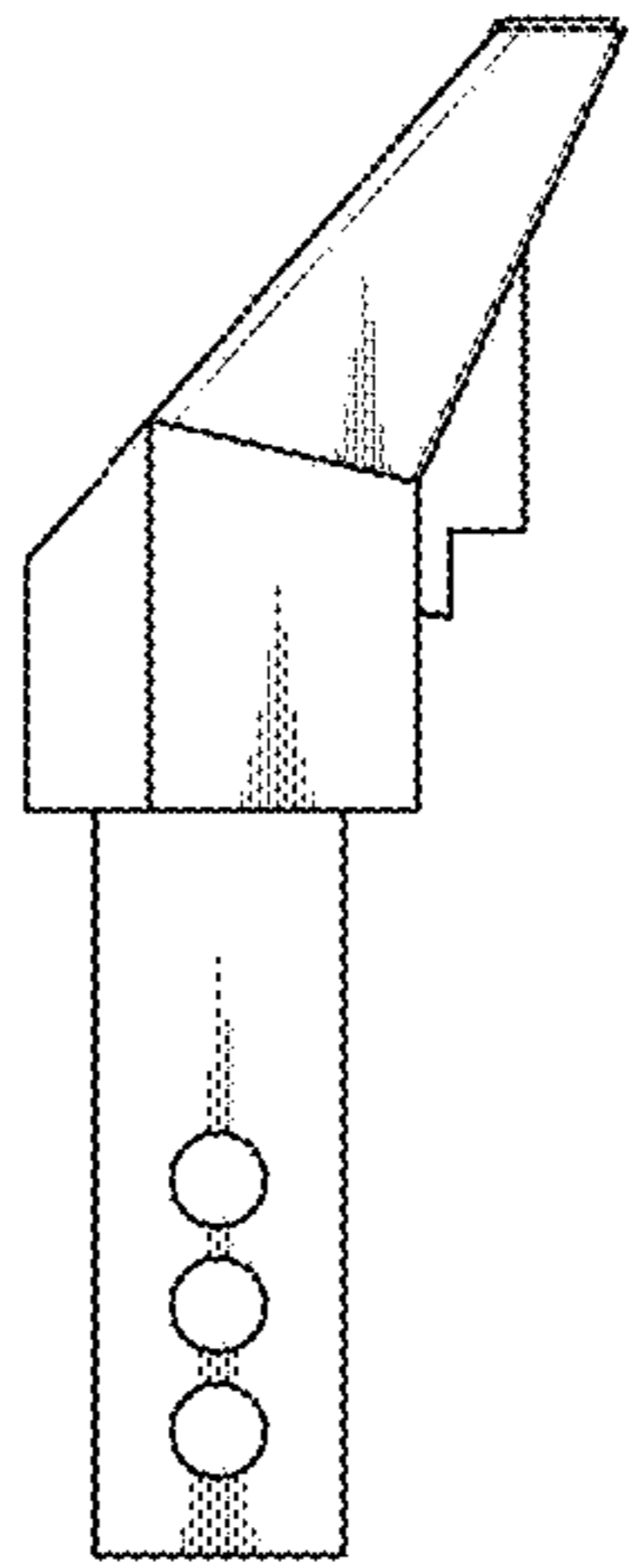


FIG. 14

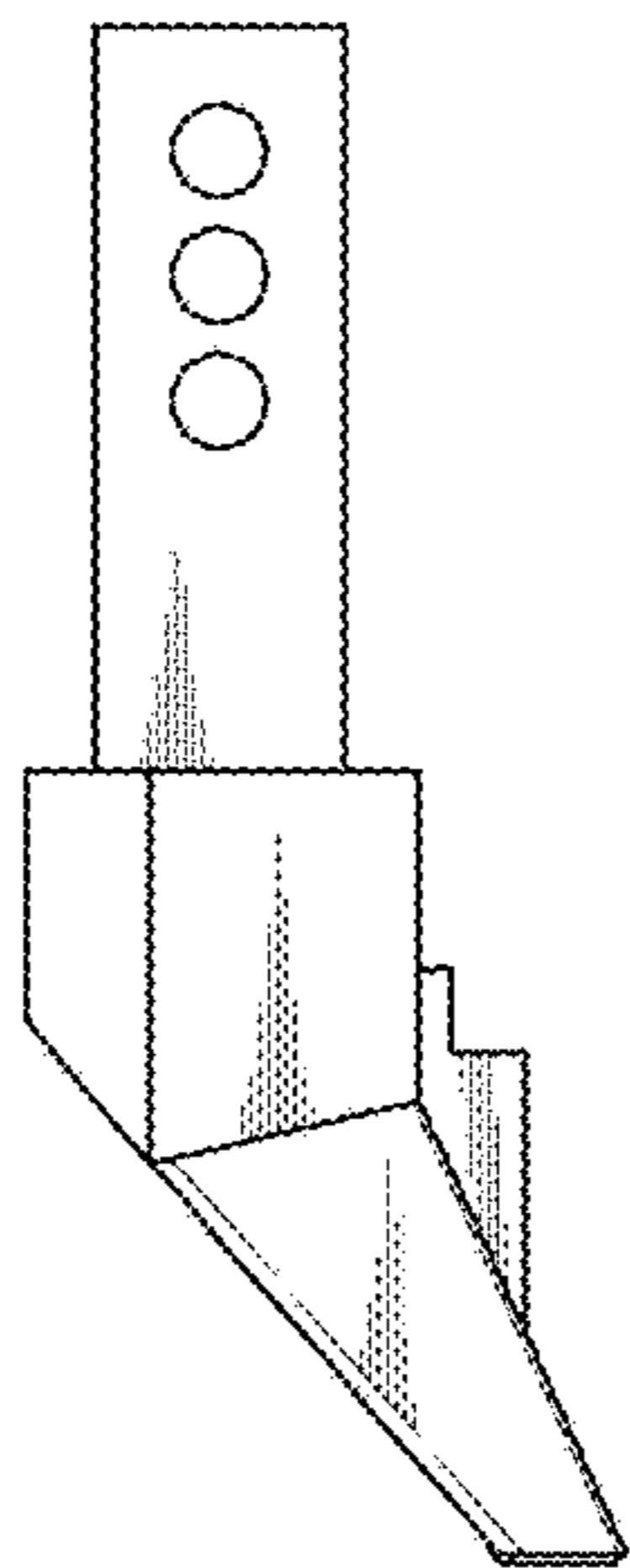


FIG. 13