



US00D858396S

(12) **United States Design Patent** (10) **Patent No.:** **US D858,396 S**
Luk (45) **Date of Patent:** **** Sep. 3, 2019**

(54) **TRUNK LID FOR A VEHICLE**

FOREIGN PATENT DOCUMENTS

(71) Applicant: **Bayerische Motoren Werke Aktiengesellschaft, Munich (DE)**

WO WO DM/060154 7/2002
WO WO DM/070265 12/2008

(Continued)

(72) Inventor: **Calvin Luk, Munich (DE)**

OTHER PUBLICATIONS

(73) Assignee: **Bayerische Motoren Werke Aktiengesellschaft, Munich (DE)**

The BMW Concept Z4. Freedom on four wheels. BMW Group, PressClub Global Article, available at <https://www.press.bmwgroup.com/global/article/detail/T0273522EN/the-bmw-concept-z4-freedom-on-four-wheels>, Aug. 17, 2017.

(**) Term: **15 Years**

(21) Appl. No.: **29/631,779**

(22) Filed: **Jan. 3, 2018**

Primary Examiner — Susan Bennett Hattan
Assistant Examiner — Suzanne E Tisdell

(30) **Foreign Application Priority Data**

Jul. 11, 2017 (DE) 40 2017 100 810

(74) *Attorney, Agent, or Firm* — Crowell & Moring LLP

(51) **LOC (12) Cl.** **12-16**

(57) **CLAIM**

(52) **U.S. Cl.**

USPC **D12/196**

The ornamental design for a trunk lid for a vehicle, as shown and described.

(58) **Field of Classification Search**

USPC D12/86, 90, 91, 92, 163, 169, 171, 196, D12/216

CPC B60R 19/02; B60R 19/03; B60R 19/04; B62D 25/08; B62D 25/12; B60J 5/10; B60J 5/101; B60J 5/102; B60J 5/103; B60J 5/107

See application file for complete search history.

DESCRIPTION

This application contains subject matter related to the following co-pending U.S. design patent applications: Application Ser. No. 29/624,739, filed Nov. 3, 2017 and entitled “Trunk Lid For a Vehicle”; and Application Ser. No. 29/631,774, filed herewith and entitled “Vehicle, Toy, and/or Replicas Thereof”
FIG. 1 is a top view of a trunk lid for a vehicle according to the design;
FIG. 2 is a front view thereof;
FIG. 3 is a left, front perspective view thereof;
FIG. 4 is a right, front perspective view thereof;
FIG. 5 is a left side view thereof;
FIG. 6 is a right side view thereof;
FIG. 7 is a rear view thereof; and,
FIG. 8 is a bottom view thereof.

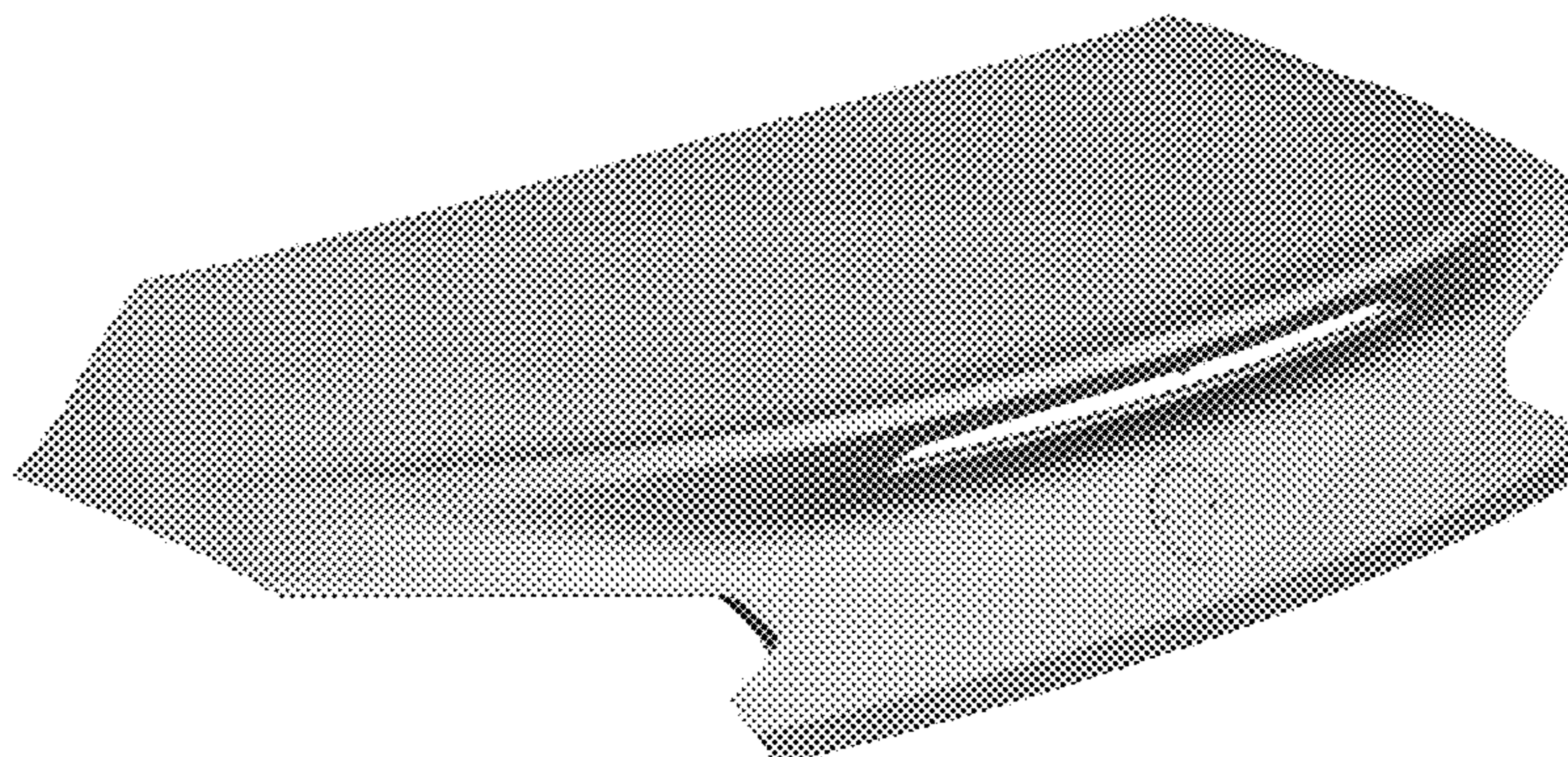
(56) **References Cited**

U.S. PATENT DOCUMENTS

2,391,310 A * 12/1945 Heller B60R 5/04 224/496
2,772,041 A * 11/1956 Zeabari B60R 9/06 224/42.32
2,889,619 A * 6/1959 Robinson B23K 33/008 228/137
3,783,655 A * 1/1974 Giannetto E05B 83/16 70/1.5
D243,077 S * 1/1977 Pray D12/196
6,357,815 B1 * 3/2002 Queveau B60J 7/205 296/107.08

(Continued)

1 Claim, 8 Drawing Sheets



(56)

References Cited

U.S. PATENT DOCUMENTS

D463,999 S * 10/2002 Beck D12/16
D467,850 S 12/2002 Warming
D491,104 S * 6/2004 Berg D12/7
7,017,969 B1 * 3/2006 Kirkham B60R 13/011
296/39.1
7,341,289 B2 * 3/2008 Schretzlmeier E05B 83/26
292/92
D596,546 S * 7/2009 Habib D12/196
7,597,378 B2 * 10/2009 Ichinose B62D 25/105
296/76
D695,177 S * 12/2013 Matsueda D12/196
D764,994 S * 8/2016 Jo D12/196
D785,532 S * 5/2017 Park D12/196
D791,030 S * 7/2017 Faghihzadeh D12/196
D813,773 S * 3/2018 Cho D12/196
D823,211 S * 7/2018 Lim D12/196
D825,421 S * 8/2018 Kim D12/196
D829,625 S * 10/2018 Kim D12/196
D831,553 S * 10/2018 Ojea D12/196
D839,168 S * 1/2019 Cho D12/196

FOREIGN PATENT DOCUMENTS

WO WO DM/073504 10/2010
WO WO DM/098427 11/2017

* cited by examiner

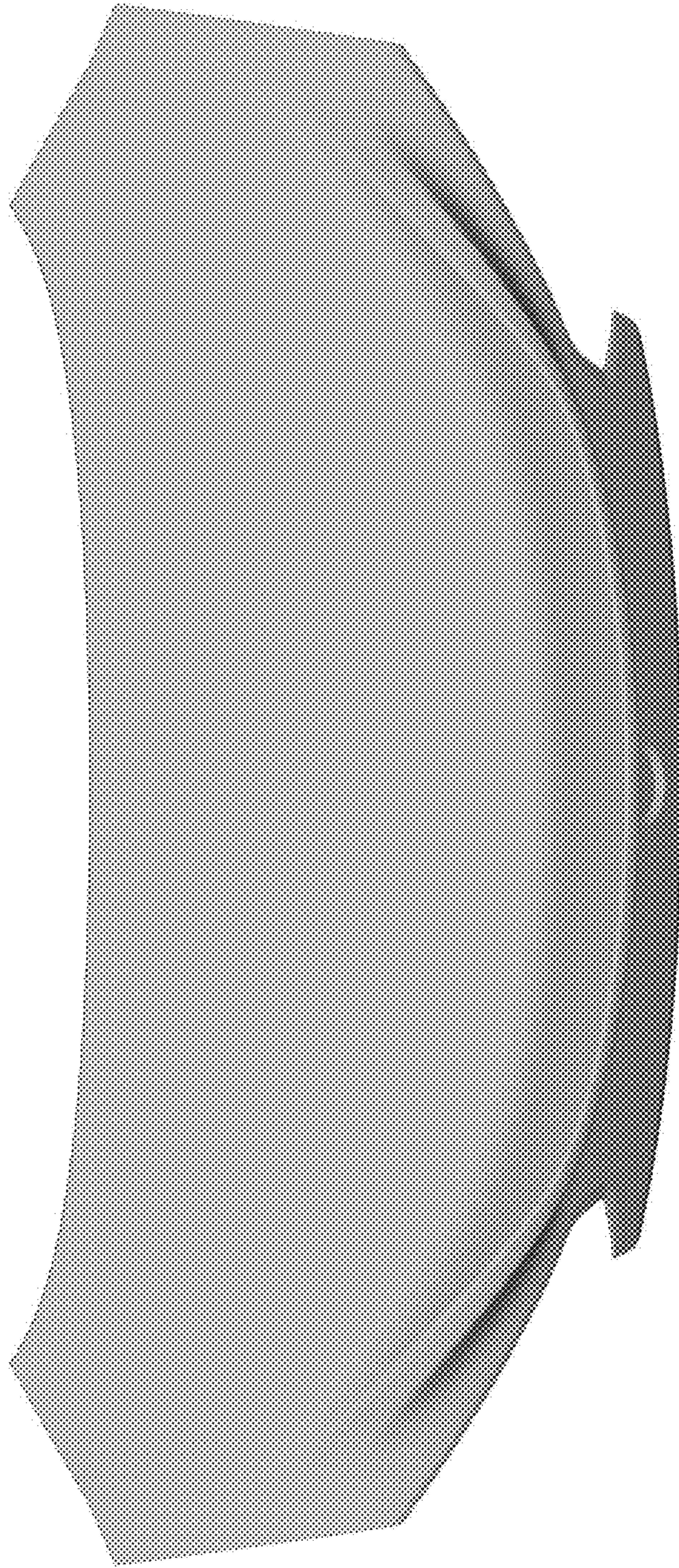


Fig. 1

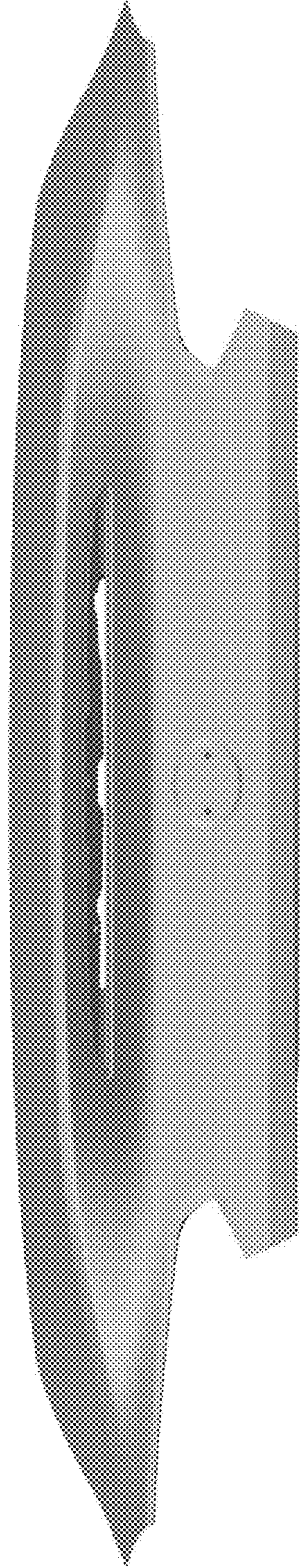


Fig. 2

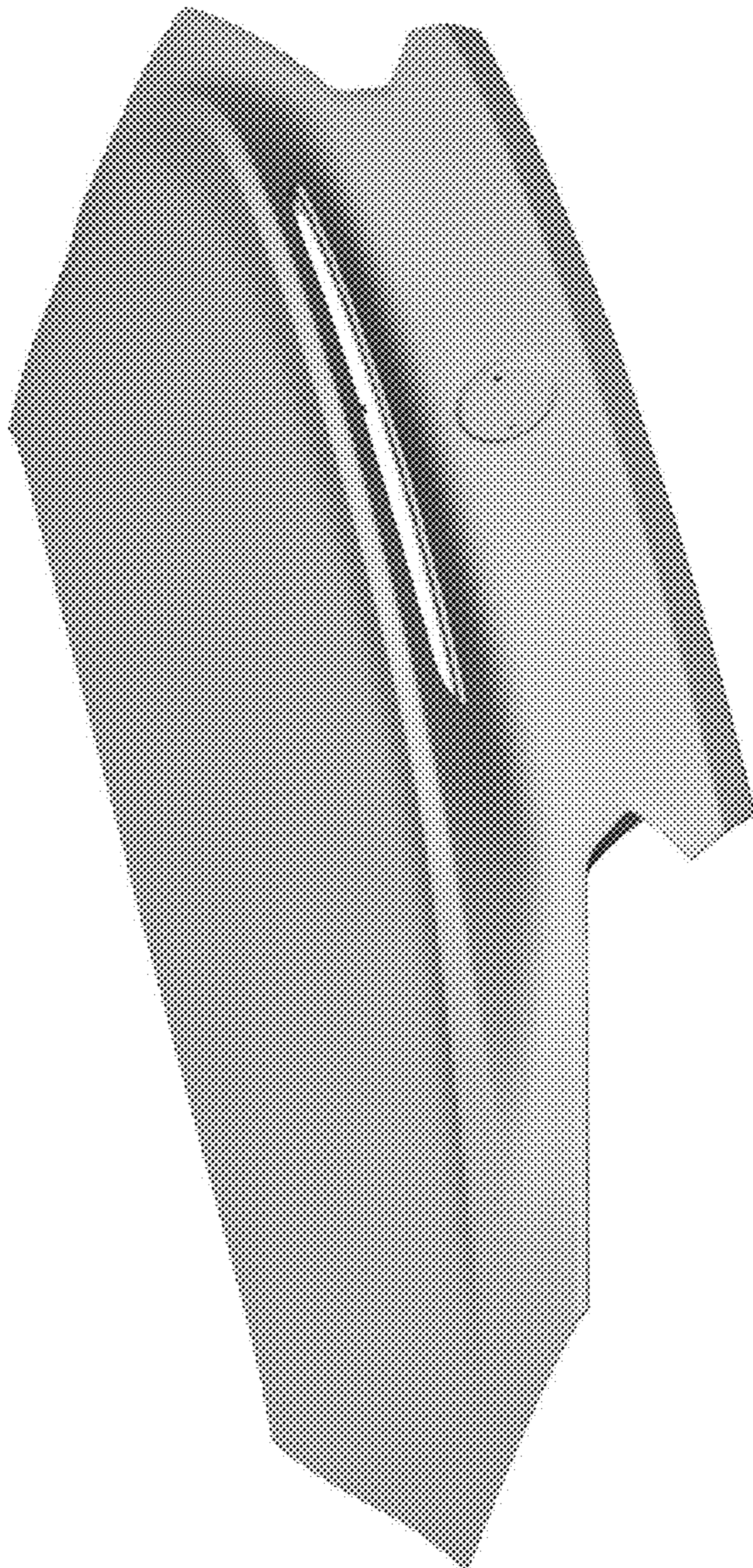


Fig. 3

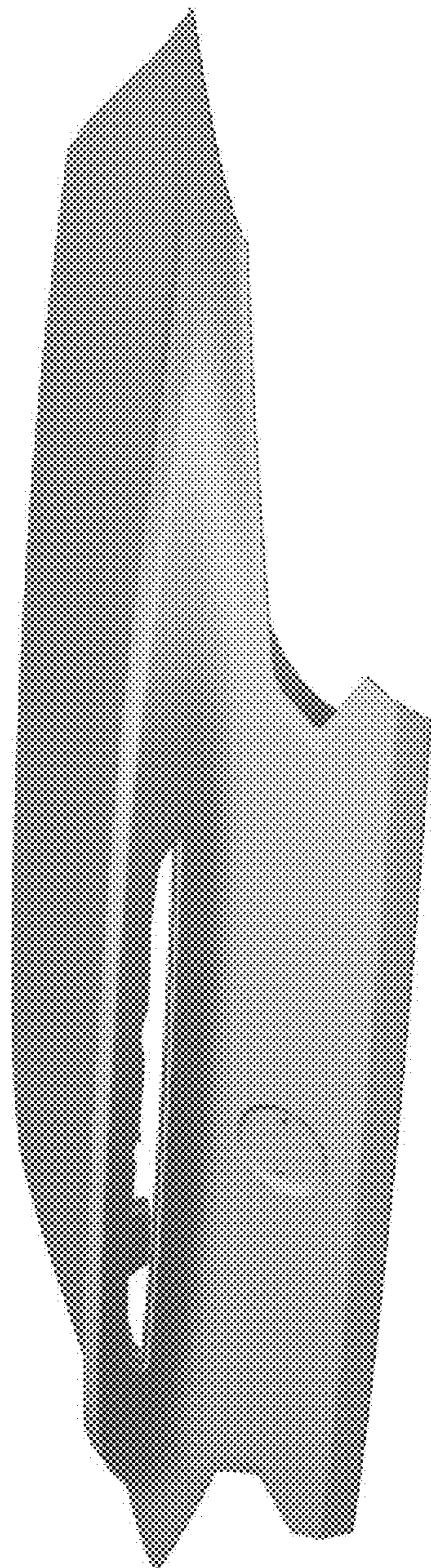


Fig. 4

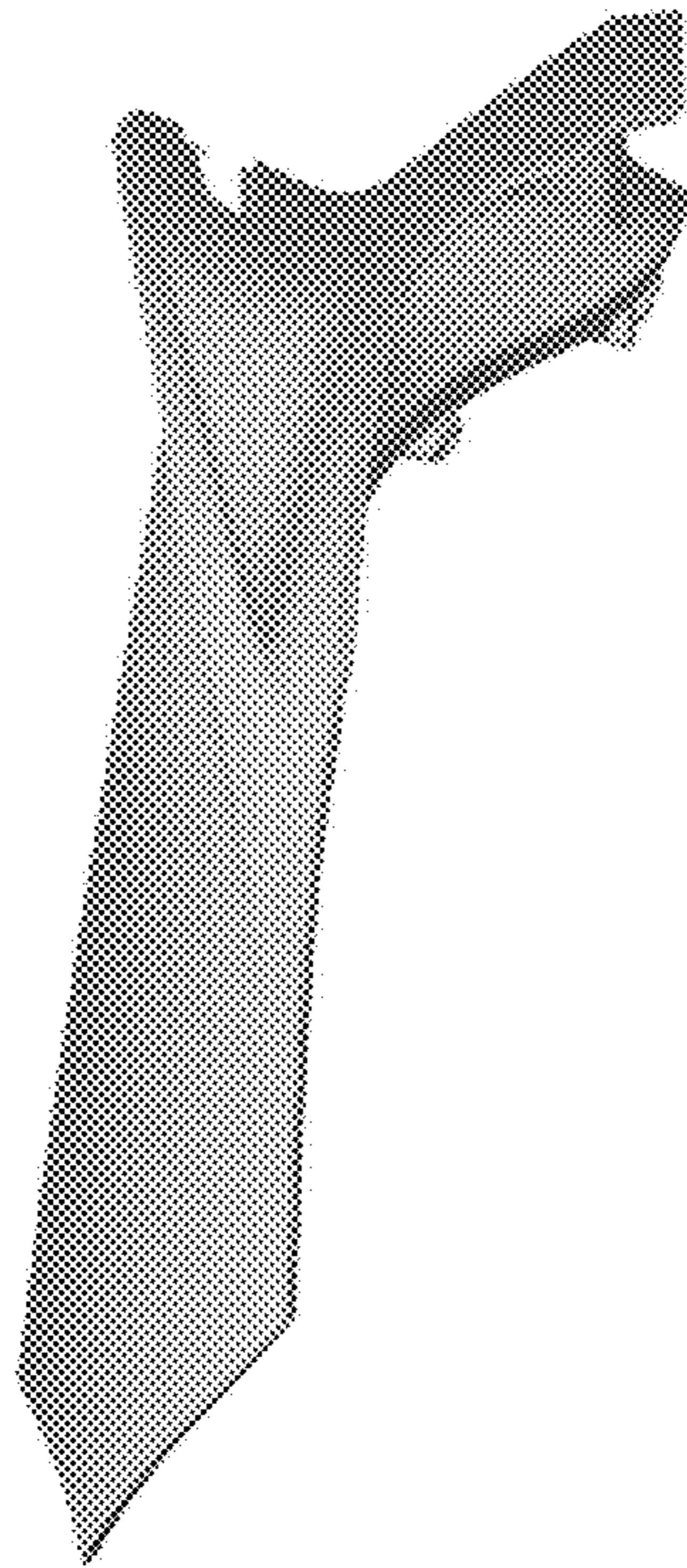


Fig. 5

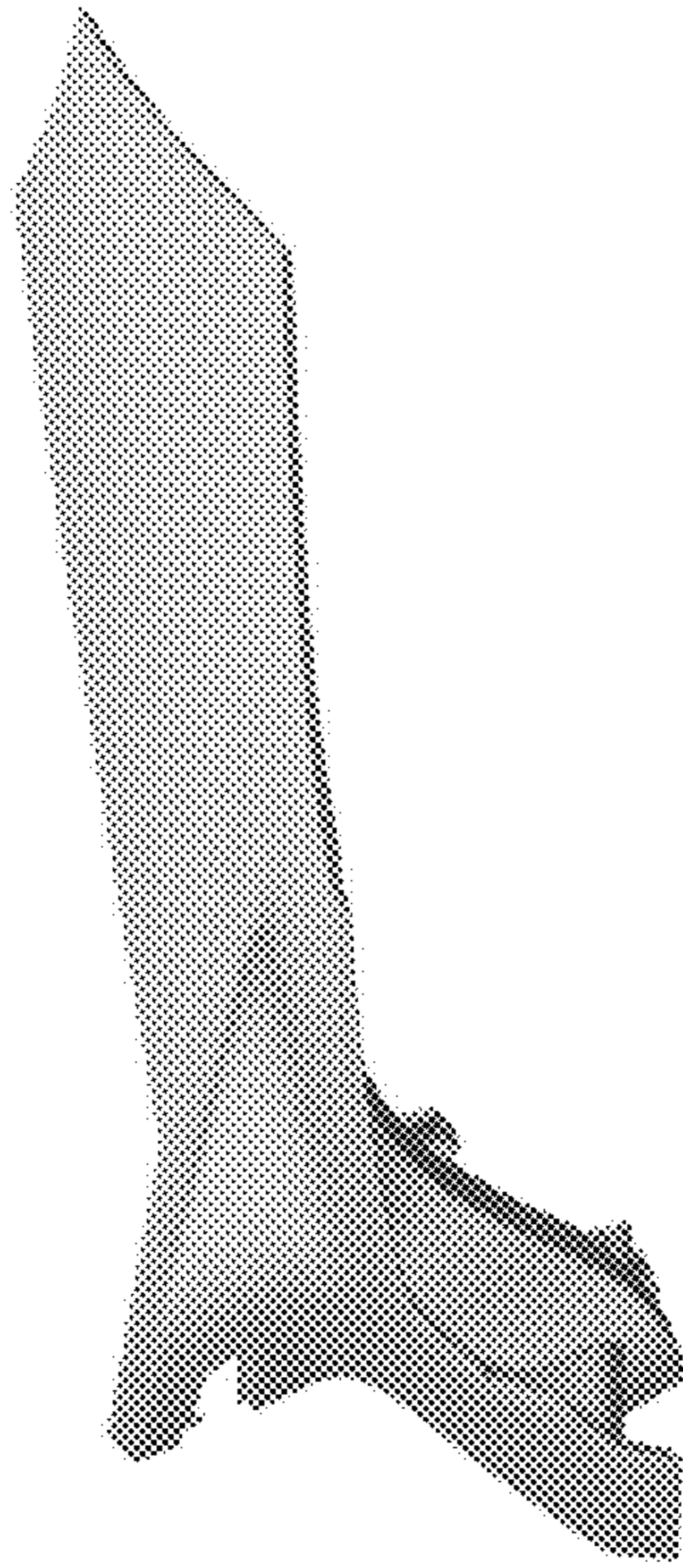


Fig. 6

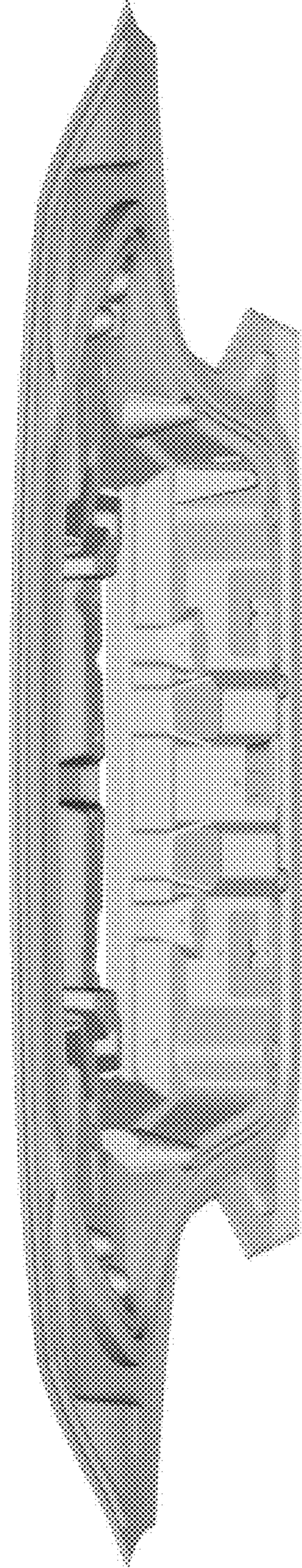


Fig. 7

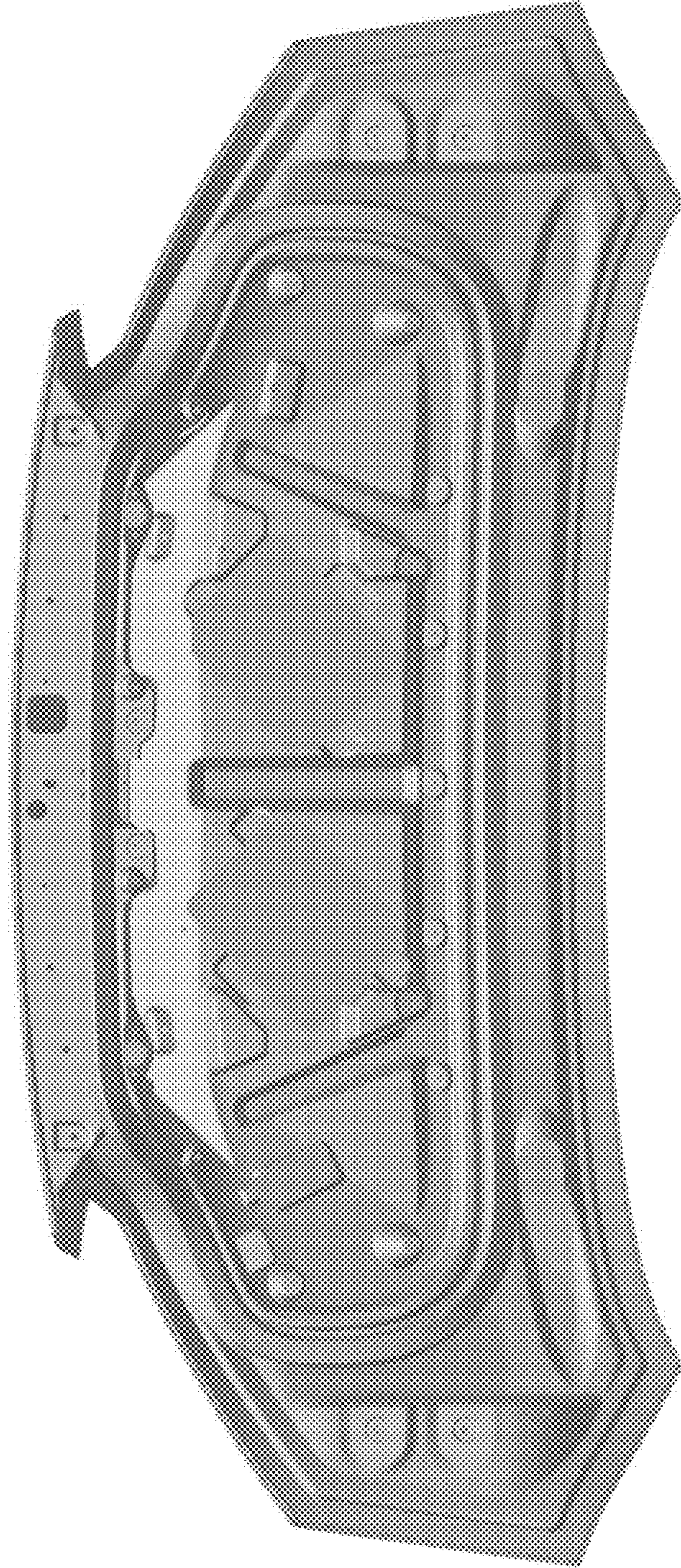


Fig. 8