



US00D858394S

(12) **United States Design Patent**
Von Holzhausen et al.

(10) **Patent No.:** **US D858,394 S**
(45) **Date of Patent:** **** Sep. 3, 2019**

- (54) **WHEEL COVER**
- (71) Applicant: **Tesla Inc.**, Palo Alto, CA (US)
- (72) Inventors: **Franz Von Holzhausen**, Malibu, CA (US); **Randy Rodriguez**, Torrance, CA (US); **David Tadashi Imai**, Los Angeles, CA (US); **Julien Bilodeau**, Los Angeles, CA (US)
- (73) Assignee: **Tesla, Inc.**, Palo Alto, CA (US)
- (**) Term: **15 Years**
- (21) Appl. No.: **29/619,408**
- (22) Filed: **Sep. 28, 2017**
- (51) **LOC (12) Cl.** **12-16**
- (52) **U.S. Cl.**
USPC **D12/196**
- (58) **Field of Classification Search**
USPC D12/166, 167, 169, 171, 172, 181, 183, D12/190, 196, 216
CPC B60R 1/06; B62D 25/10; B62D 25/16; B62D 25/168
See application file for complete search history.

- (56) **References Cited**
U.S. PATENT DOCUMENTS
4,392,669 A * 7/1983 Martin, Jr. B60J 1/04 180/89.12
4,925,235 A * 5/1990 Fingerle B60R 3/00 280/833
D319,036 S * 8/1991 Fingerle D12/96
D320,582 S * 10/1991 Fingerle D12/96
D395,848 S * 7/1998 Meryman D12/97
D433,981 S * 11/2000 Davis D12/196
D460,023 S * 7/2002 Beigel D12/96

- 6,883,860 B1 * 4/2005 Budge B62D 33/0612 296/190.02
- D634,244 S * 3/2011 Aris D12/96
- D651,136 S * 12/2011 Stimel, Jr. D12/96
- 8,960,769 B2 * 2/2015 He B62D 35/001 296/180.2
- D799,380 S * 10/2017 Cosme D12/96
- D842,182 S * 3/2019 Lee D12/190

* cited by examiner

Primary Examiner — Susan Bennett Hattan
Assistant Examiner — Suzanne E Tisdell
(74) *Attorney, Agent, or Firm* — Haynes and Boone, LLP

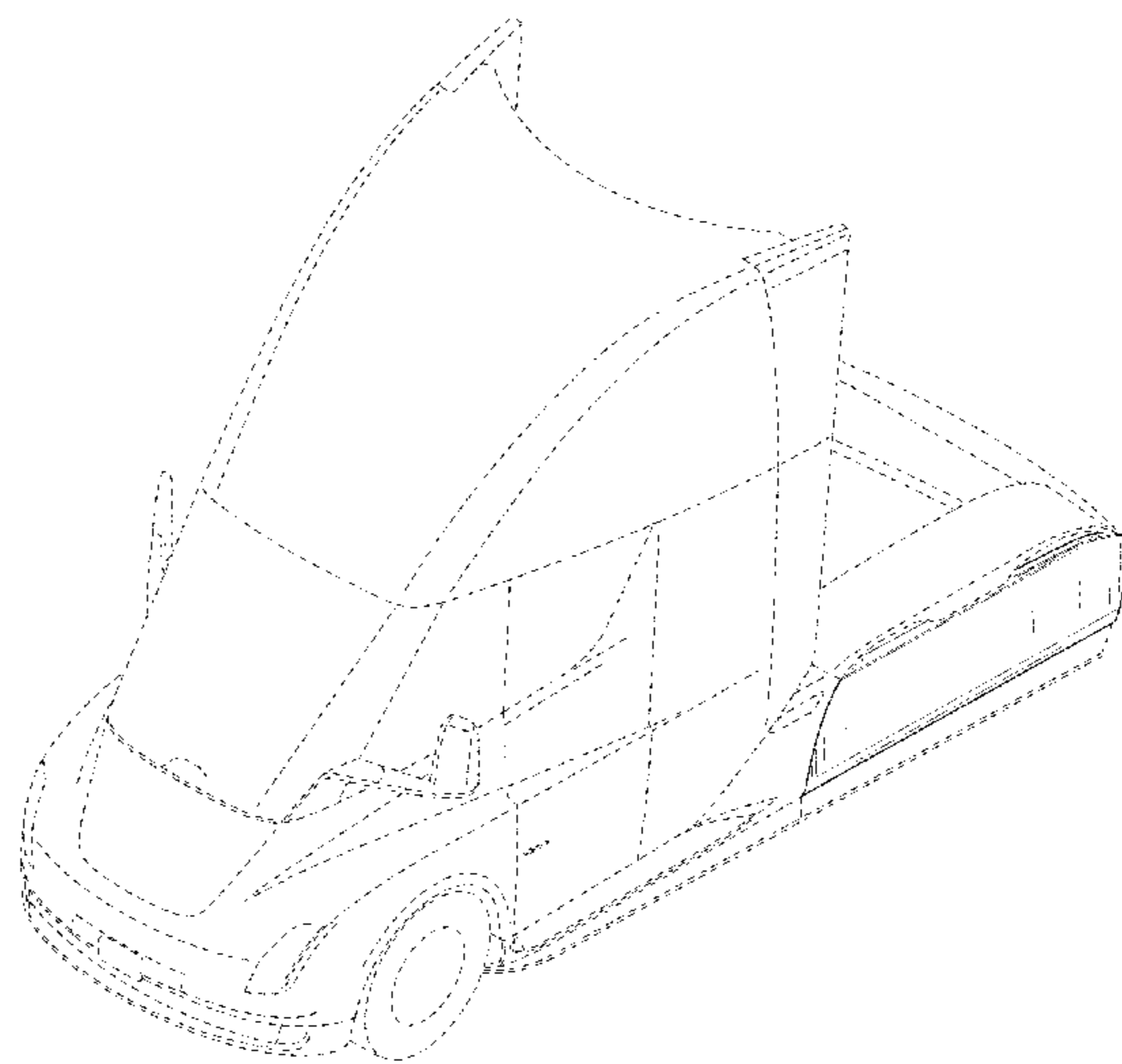
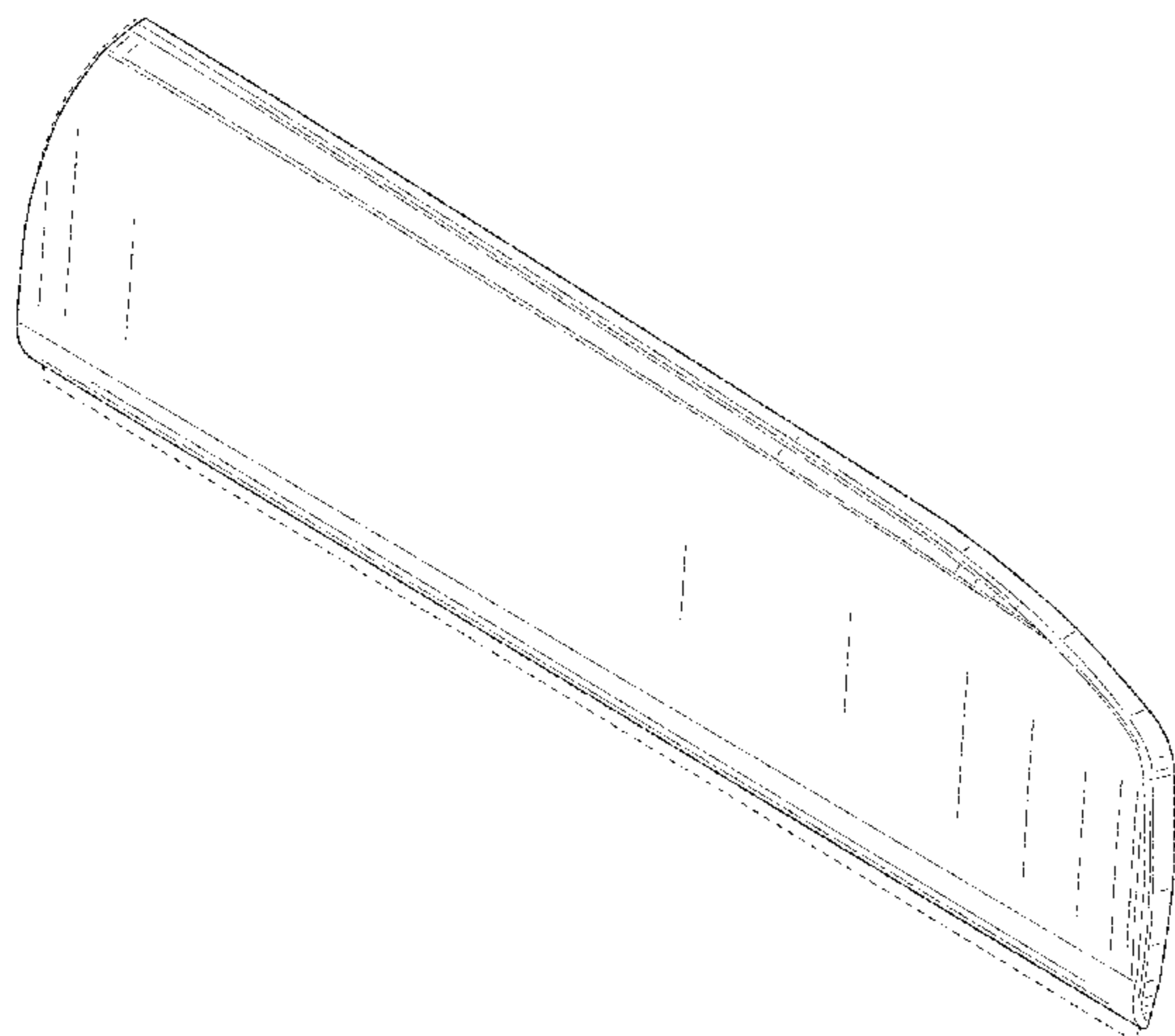
(57) **CLAIM**

The ornamental design for a wheel cover, as shown and described.

DESCRIPTION

FIG. 1 is a perspective view of a wheel cover.
FIG. 2 is a front elevational view of the wheel cover of FIG. 1.
FIG. 3 is a back elevational view of the wheel cover of FIG. 1.
FIG. 4 is a side elevational view of the wheel cover of FIG. 1.
FIG. 5 is a side elevational view of the wheel cover of FIG. 1 from the opposite side from FIG. 4.
FIG. 6 is a top plan view of the wheel cover of FIG. 1.
FIG. 7 is a bottom plan view of the wheel cover of FIG. 1; and,
FIG. 8 is a perspective view of the wheel cover of FIG. 1 as part of a semi-truck cab; details of the semi-truck cab form no part of the claimed design.
The items shown with broken lines form no part of the claimed design.

1 Claim, 6 Drawing Sheets



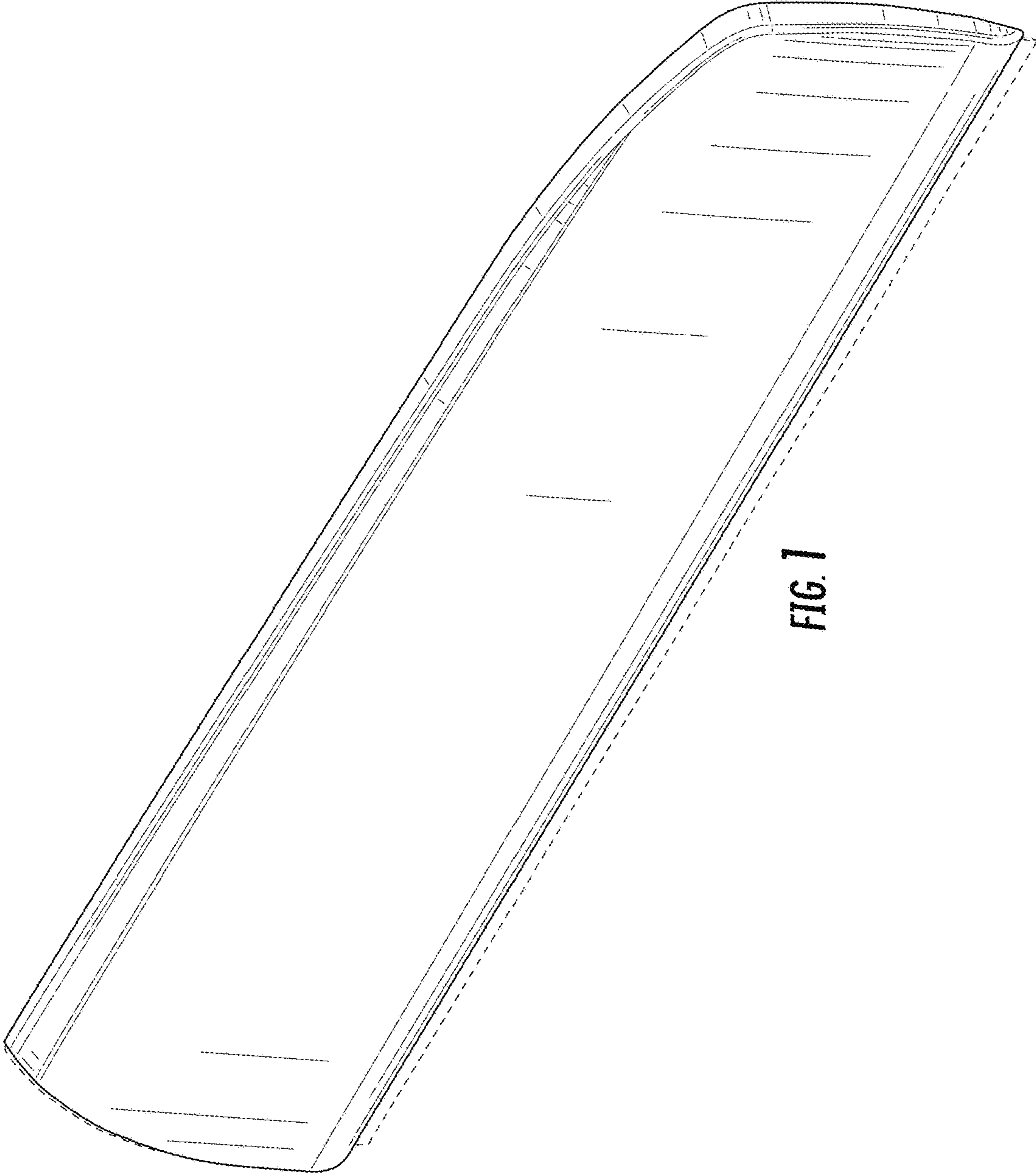


FIG. 1

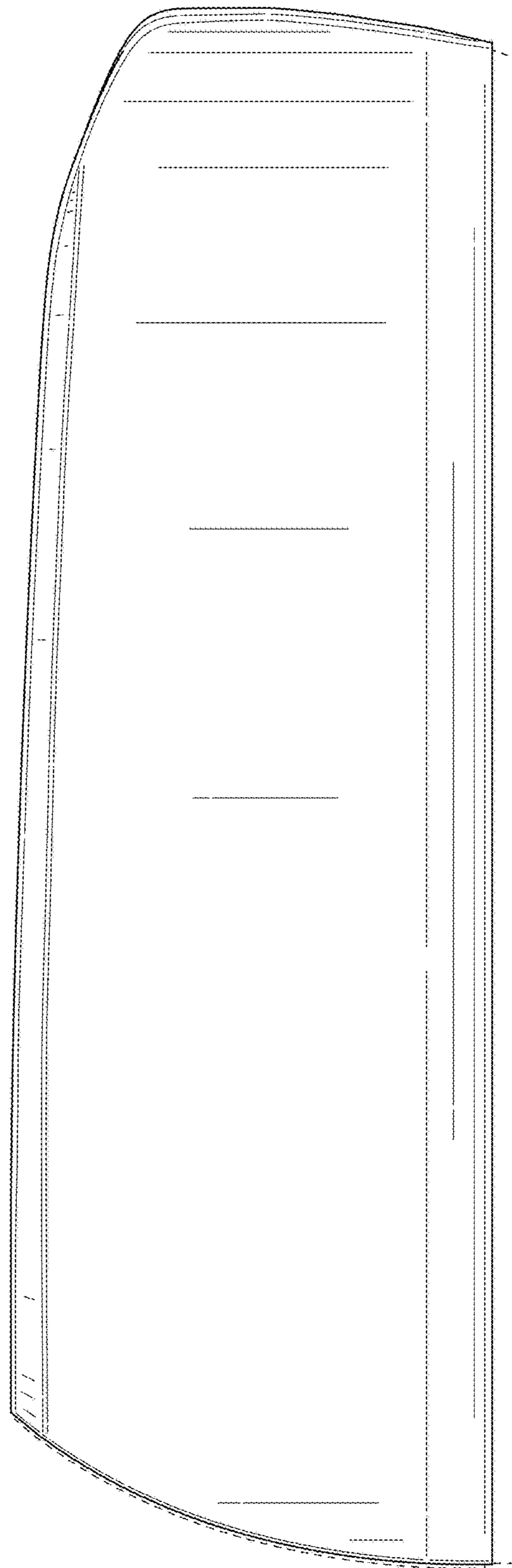


FIG. 2

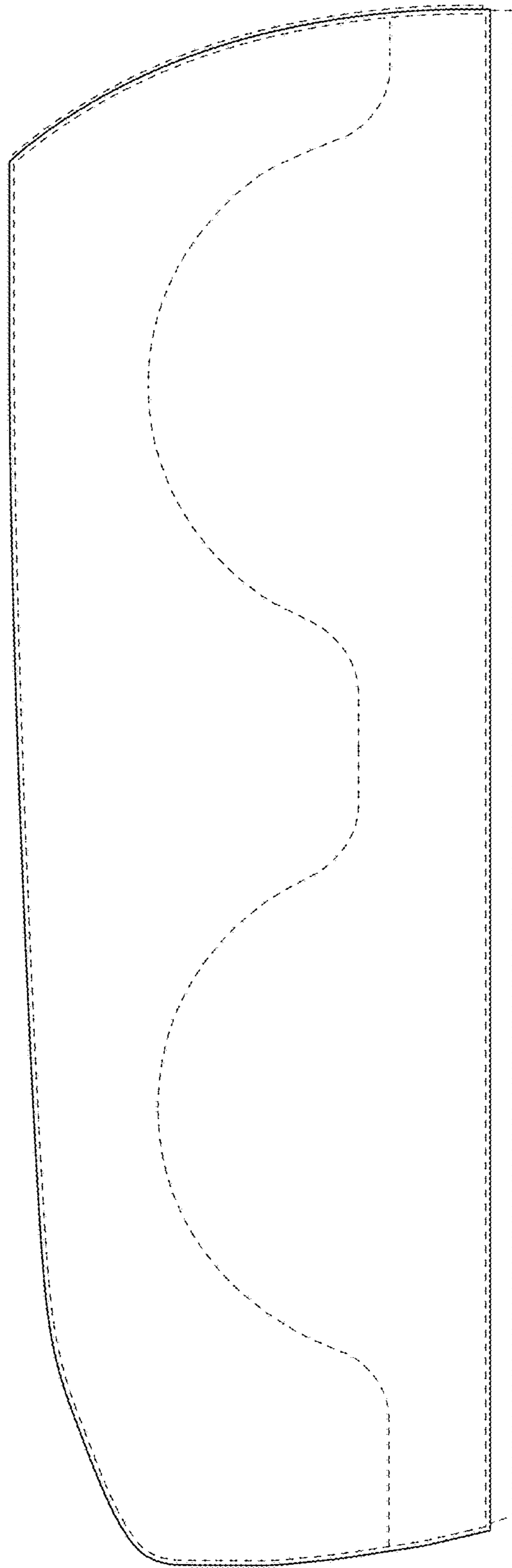


FIG. 3



FIG. 4

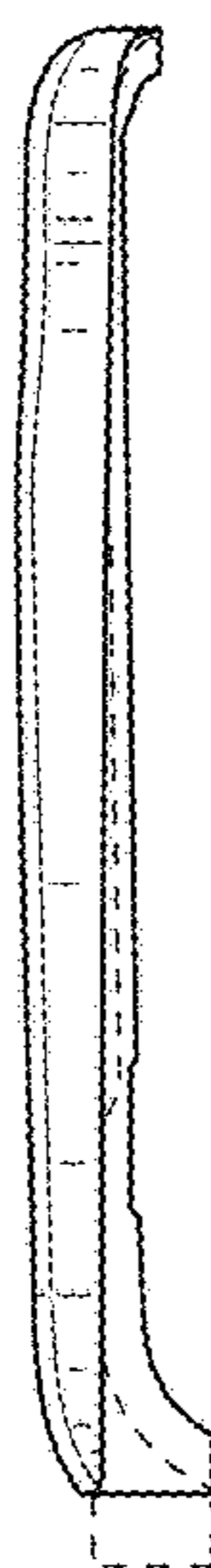


FIG. 5

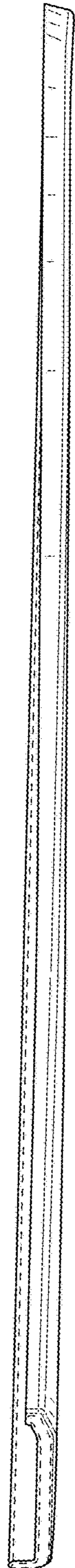


FIG. 6

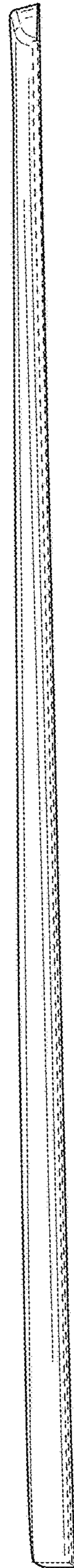


FIG. 7

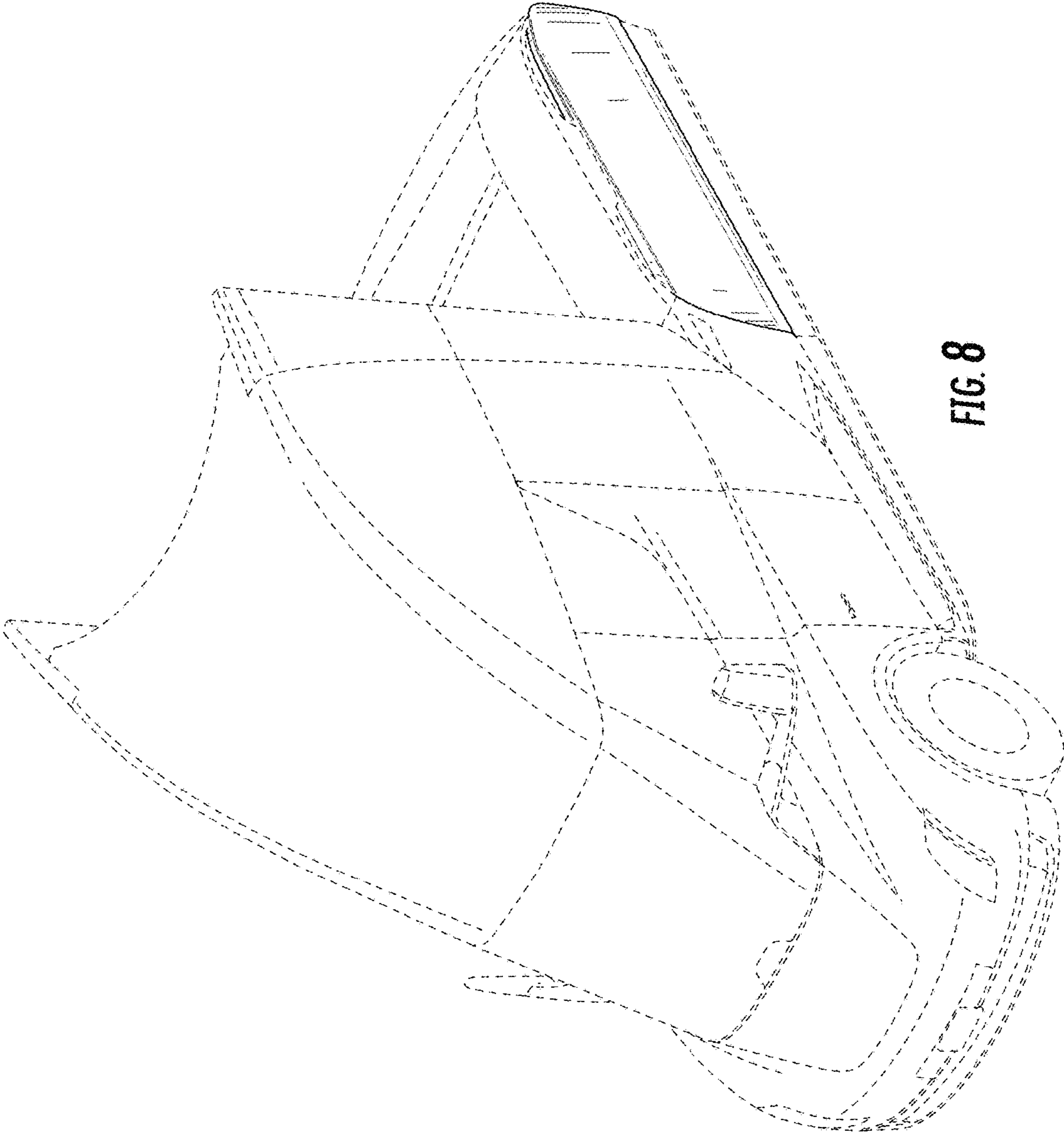


FIG. 8