



US00D858393S

(12) **United States Design Patent** (10) **Patent No.:** **US D858,393 S**
Kakuta (45) **Date of Patent:** **** Sep. 3, 2019**

(54) **DOOR TRIM PANEL FOR AN AUTOMOBILE**

(56) **References Cited**

(71) Applicant: **HINO MOTORS, LTD.**, Tokyo (JP)

U.S. PATENT DOCUMENTS

(72) Inventor: **Kazuhiro Kakuta**, Hino (JP)

D536,650 S * 2/2007 Young D12/195
D615,017 S * 5/2010 Smith D12/195
D616,348 S * 5/2010 Rosenbohm D12/195
D719,884 S * 12/2014 Peltola D12/195
D814,374 S * 4/2018 Patterson D12/195

(73) Assignee: **HINO MOTORS, LTD.**, Hino-Shi, Tokyo (JP)

* cited by examiner

(**) Term: **15 Years**

Primary Examiner — George D. Kirschbaum

(21) Appl. No.: **35/505,604**

Assistant Examiner — Joseph J Kukella

(22) Filed: **Mar. 2, 2018**

(74) *Attorney, Agent, or Firm* — Leydig Voit & Mayer

(80) **Hague Agreement Data**

(57) **CLAIM**

Int. Filing Date: **Mar. 2, 2018**

The ornamental design for a door trim panel for an automobile, as shown and described.

Int. Reg. No.: **DM/100110**

DESCRIPTION

Int. Reg. Date: **Mar. 2, 2018**

Int. Reg. Pub. Date: **Sep. 7, 2018**

(51) **LOC (12) Cl.** **12-16**

1. Door trim panel for an automobile

(52) **U.S. Cl.**

1.1 : Front

USPC **D12/195**

1.2 : Back

(58) **Field of Classification Search**

USPC D12/90, 91, 92, 190, 195, 196

1.3 : Top

CPC B60J 5/00; B60J 5/02; B60J 5/04; B60J

1.4 : Bottom

5/10; B62D 25/02; B62D 25/04

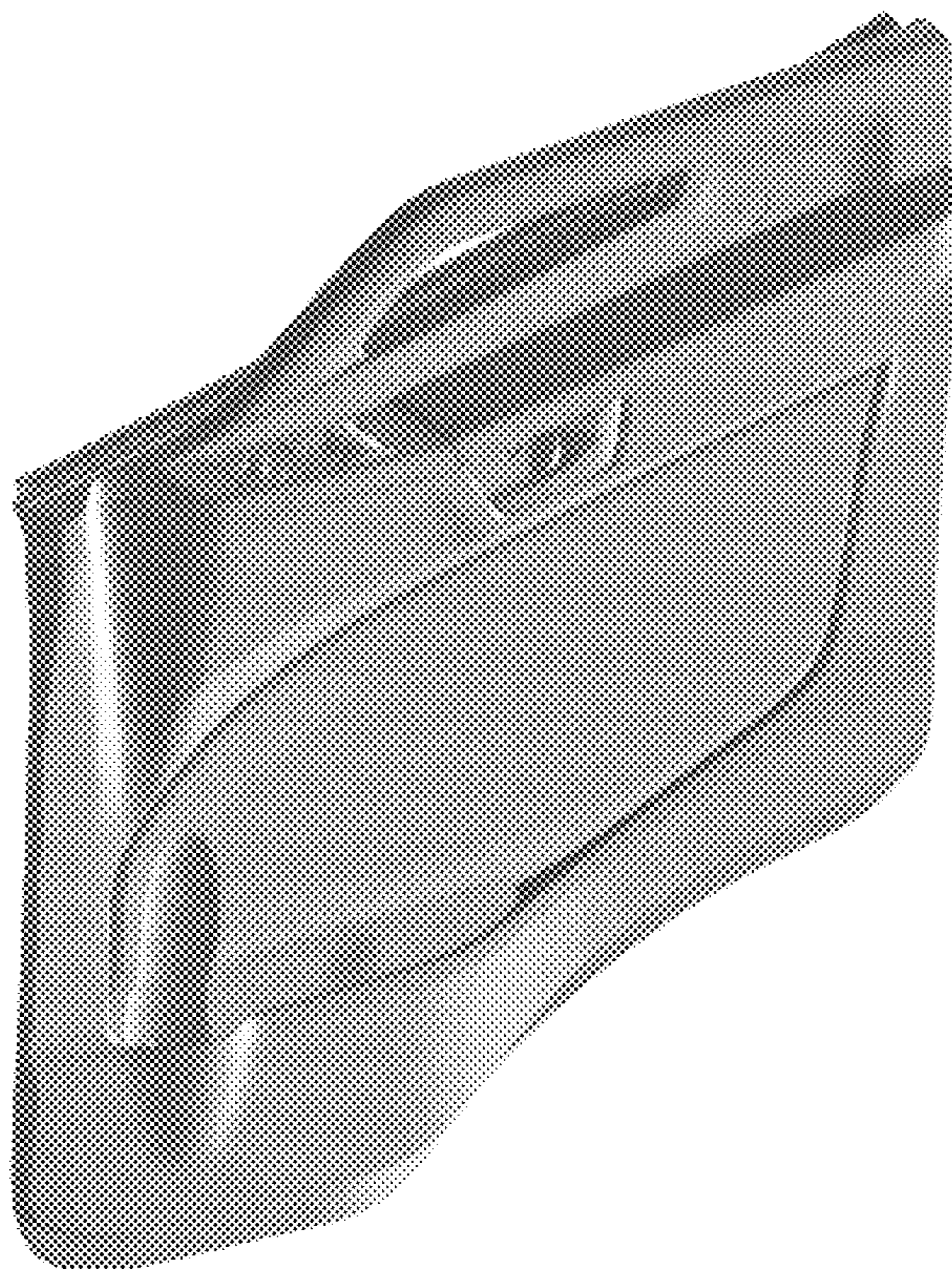
1.5 : Left

See application file for complete search history.

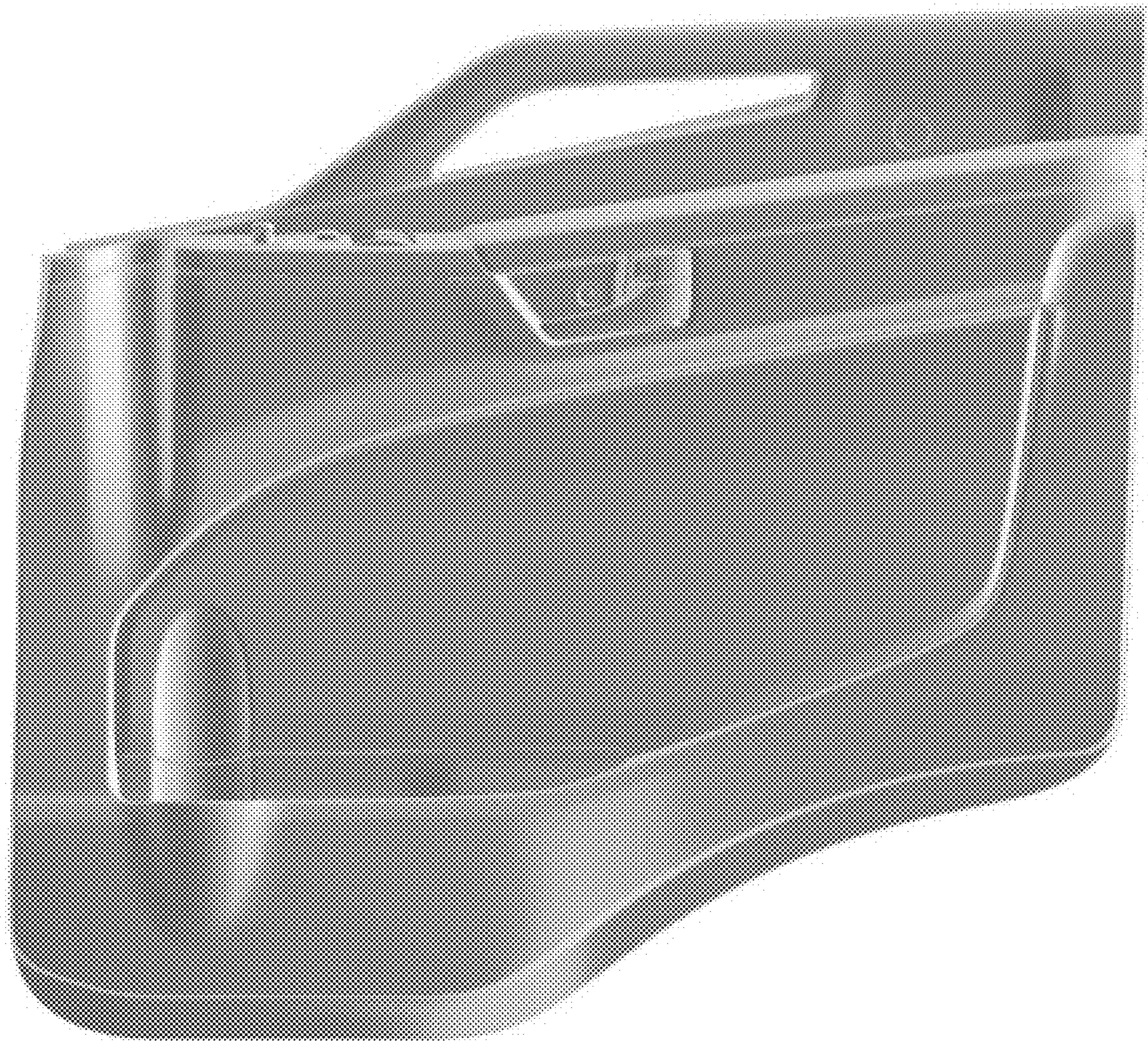
1.6 : Right

1.7 : Perspective

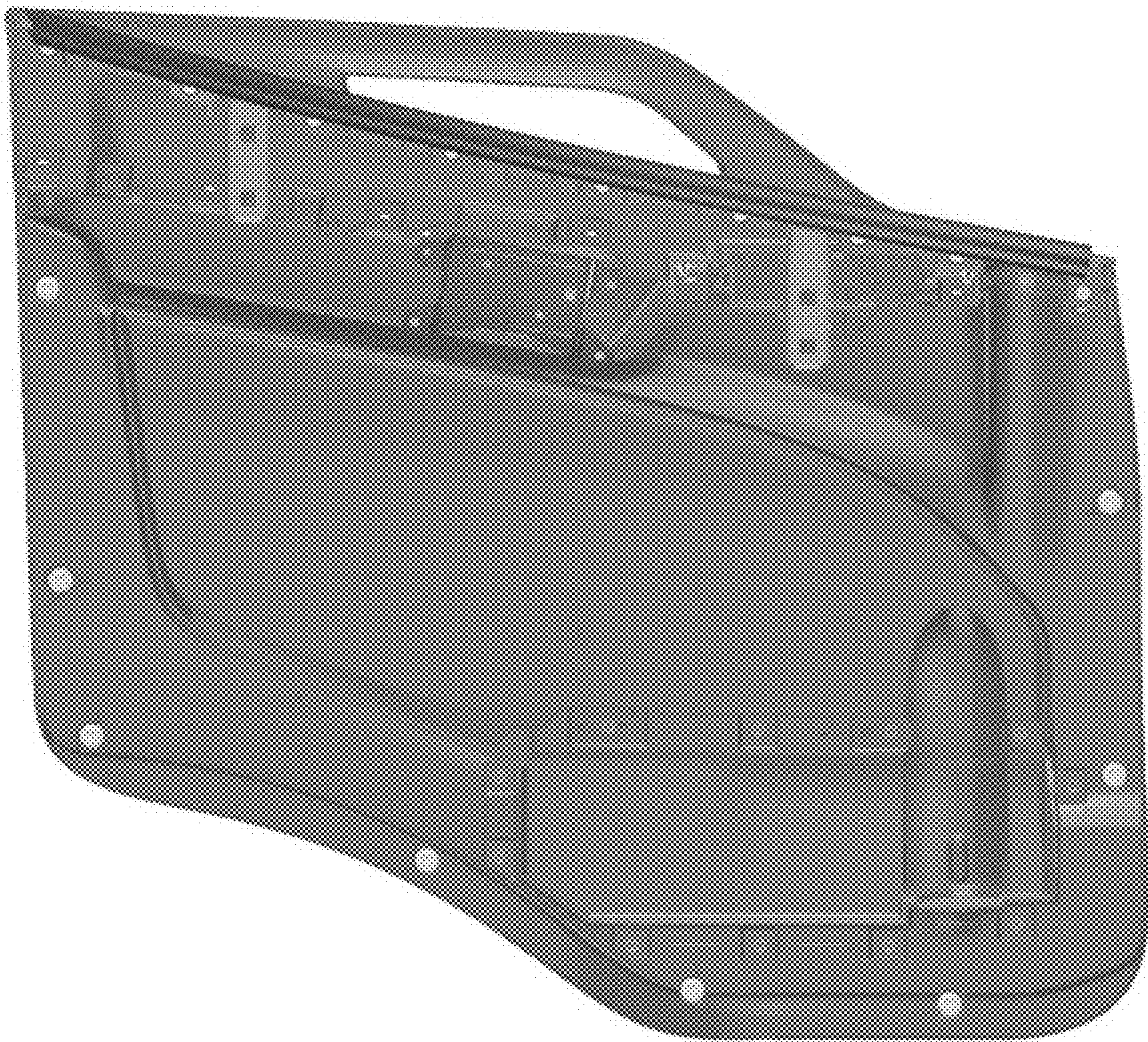
1 Claim, 7 Drawing Sheets



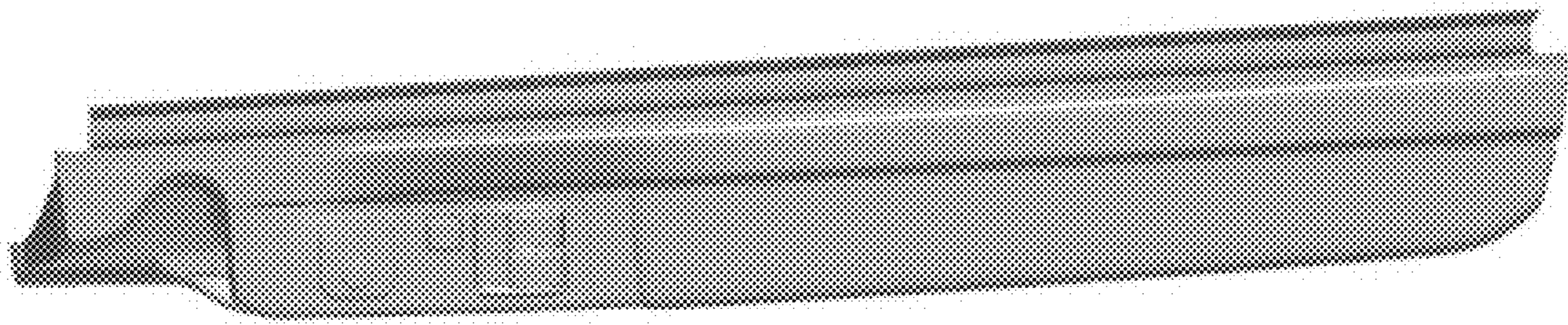
1.1



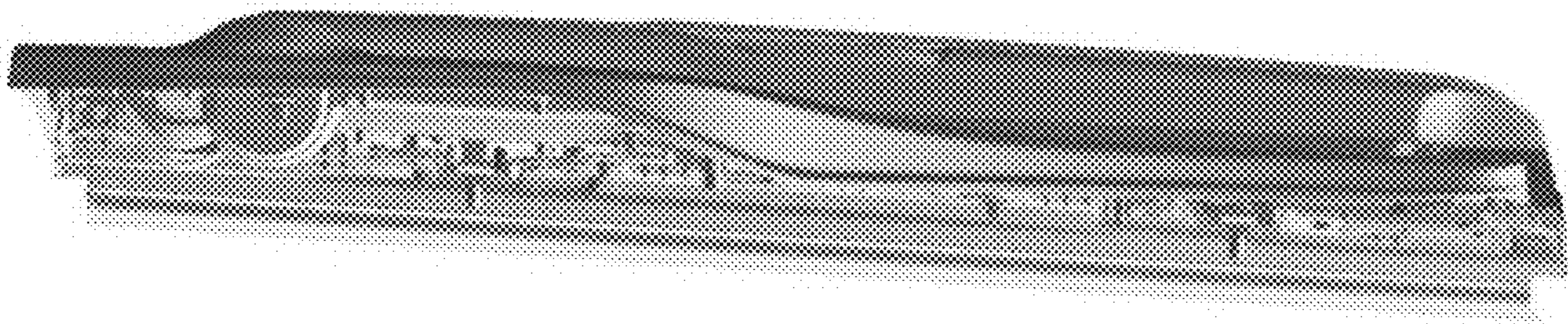
1.2



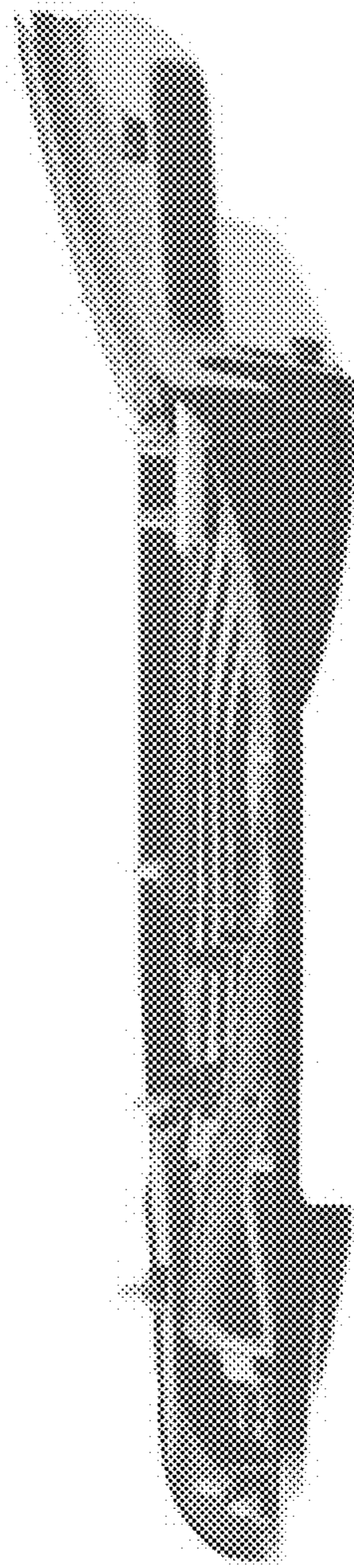
1.3



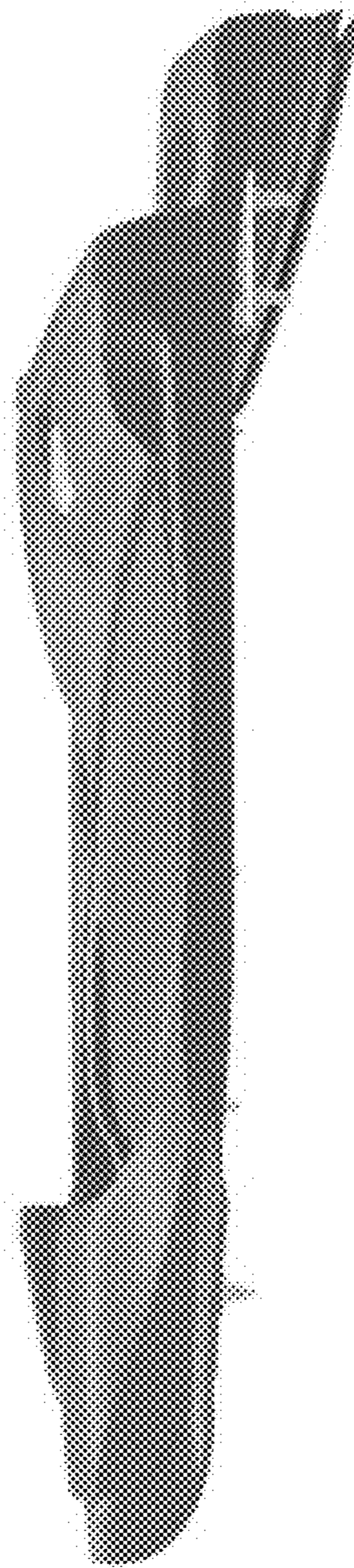
1.4



1.5



1.6



1.7

