



US00D858391S

(12) **United States Design Patent** (10) **Patent No.:** **US D858,391 S**  
**Joyeux** (45) **Date of Patent:** **\*\* Sep. 3, 2019**

(54) **OUTDOOR LIGHTING FIXTURE**  
(71) Applicant: **ECLAIRAGE ROGER PRADIER**,  
Saint Maur (FR)  
(72) Inventor: **Stéphane Joyeux**, Saint Maur sur Indre  
(FR)  
(\*\*) Term: **15 Years**  
(21) Appl. No.: **35/503,355**  
(22) Filed: **Jun. 28, 2017**

D265,001 S *	6/1982	Graham	.....	D26/104
D427,355 S *	6/2000	Miranda	.....	D26/87
D429,018 S *	8/2000	De'Armond	.....	D26/72
D467,380 S *	12/2002	Dolan	.....	D26/92
D500,161 S *	12/2004	Bucher	.....	D26/67
D511,393 S *	11/2005	Mandell	.....	D26/67
D542,965 S *	5/2007	Layne	.....	D26/128
D616,601 S *	5/2010	Gilbert	.....	D26/155
D678,589 S *	3/2013	Crosby	.....	D26/87
D694,932 S *	12/2013	Meyer	.....	D26/67
D754,908 S *	4/2016	Orozco	.....	D26/87
D766,489 S *	9/2016	Moon	.....	D26/87
D785,223 S *	4/2017	Patton	.....	D26/85
D807,551 S *	1/2018	Wiedemer	.....	D26/85

\* cited by examiner

(80) **Hague Agreement Data**  
Int. Filing Date: **Jun. 28, 2017**  
Int. Reg. No.: **DM/096674**  
Int. Reg. Date: **Jun. 28, 2017**  
Int. Reg. Pub. Date: **Jul. 14, 2017**

*Primary Examiner* — Natasha Vujcic

(51) **LOC (12) Cl.** ..... **12-16**  
(52) **U.S. Cl.**  
USPC ..... **D12/193**

(57) **CLAIM**

The ornamental design for an outdoor lighting fixture, as shown and described.

(58) **Field of Classification Search**  
USPC ..... D26/76, 78, 79, 80, 81, 82, 83, 85-90,  
D26/93, 111, 113, 118, 119, 120, 121,  
D26/122, 138, 139, 140, 141, 142, 152  
CPC ..... F21S 2/00; F21S 4/00; F21S 4/003; F21S  
4/005; F21S 4/006; F21S 4/007; F21S  
4/008; F21S 6/00; F21S 8/00; F21S  
8/024; F21S 8/026; F21S 8/031; F21S  
8/033; F21S 8/035-037; F21S 8/04; F21S  
8/043; F21S 8/063  
See application file for complete search history.

**DESCRIPTION**

Outdoor lighting fixture

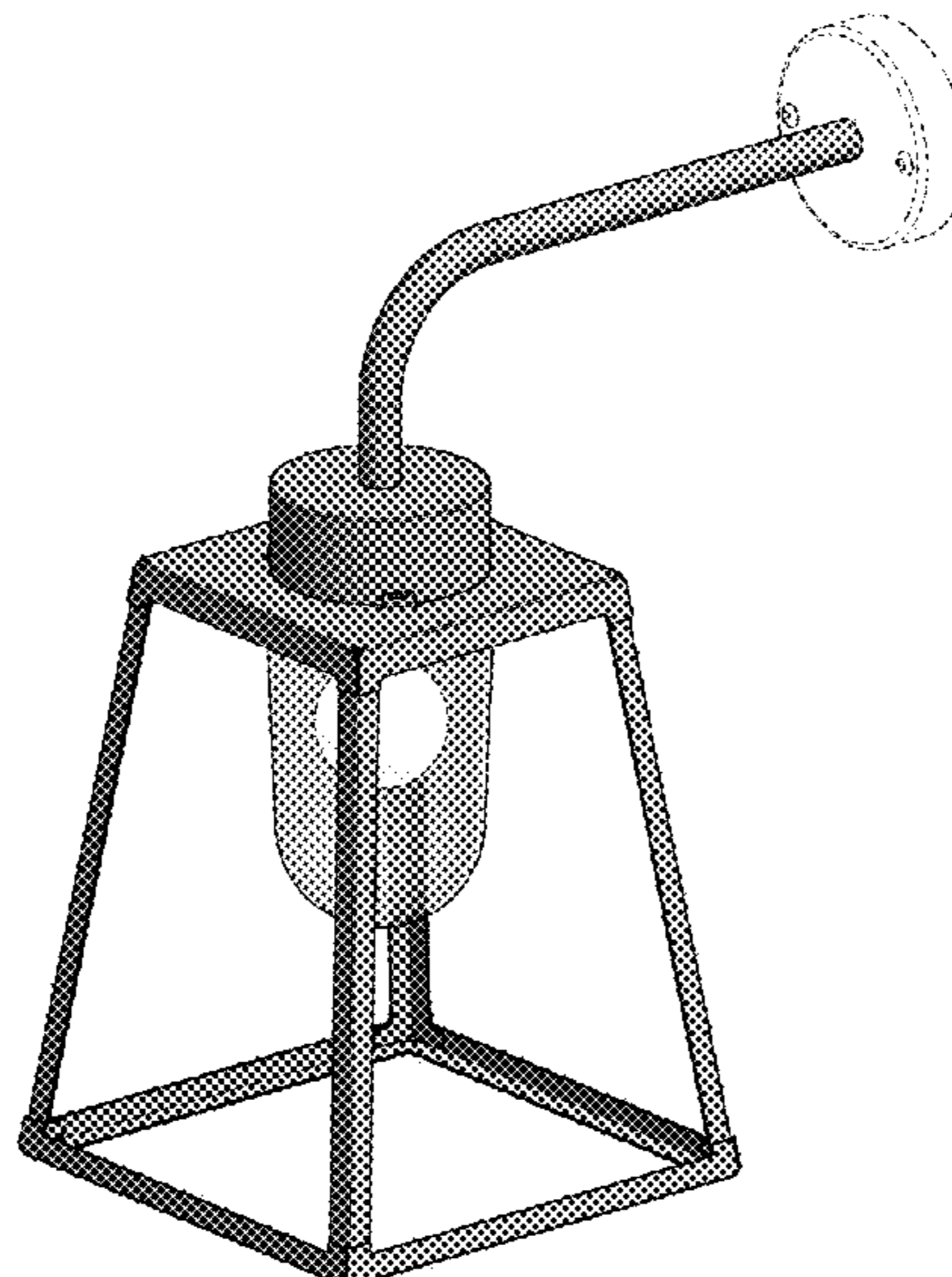
- Fig. 1 : Perspective
- Fig. 2 : Front
- Fig. 3 : Back
- Fig. 4 : Right
- Fig. 5 : Left
- Fig. 6 : Top
- Fig. 7 : Bottom

The broken lines in the drawings illustrate portions of the outdoor lighting fixture which form no part of the claimed design.

(56) **References Cited**  
U.S. PATENT DOCUMENTS

379,265 A *	3/1888	Best	.....	F21S 8/088
				362/367
D202,808 S *	11/1965	Dailey	.....	D26/67

**1 Claim, 7 Drawing Sheets**



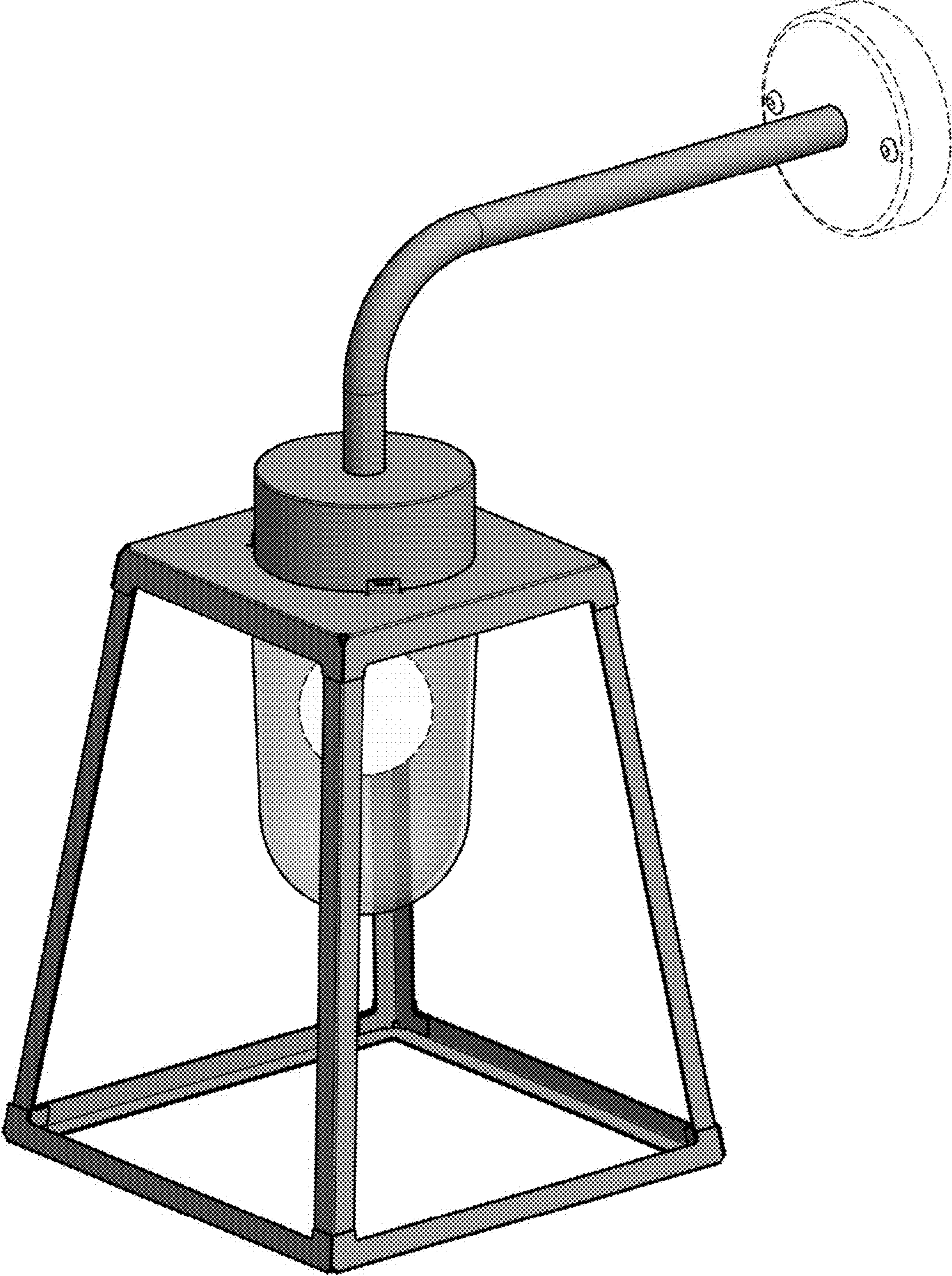


Fig. 1



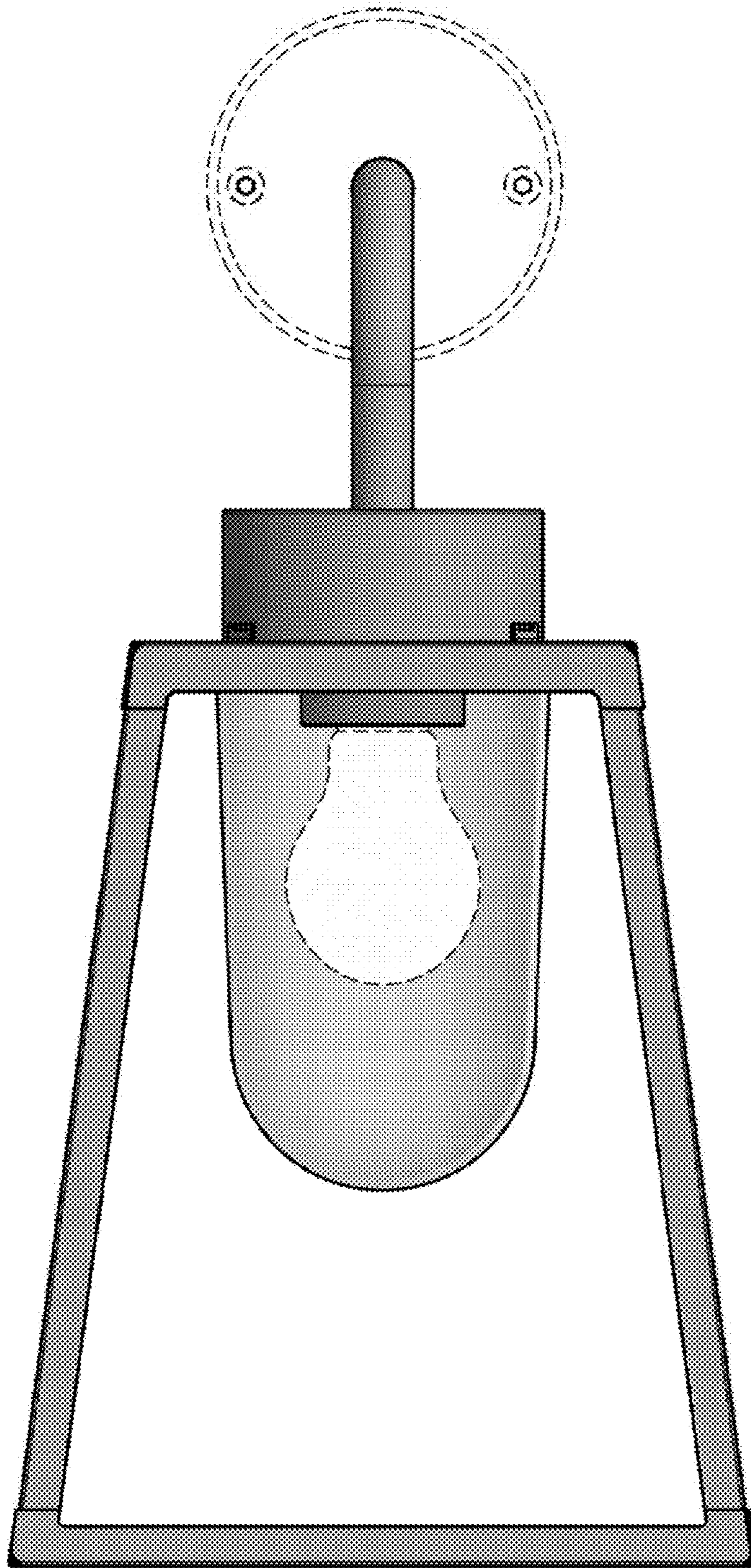


Fig. 2

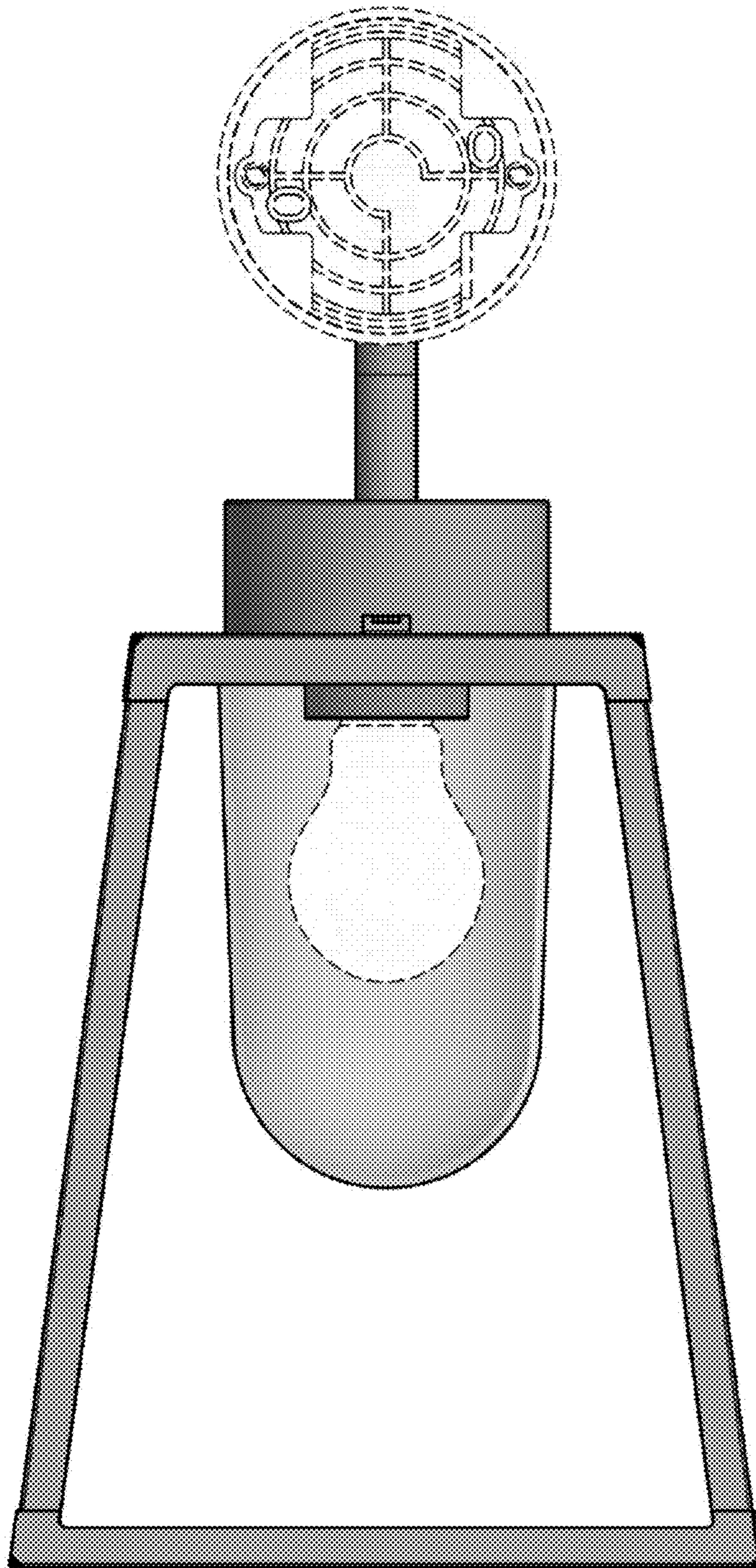


Fig. 3





Fig. 4



Fig. 5



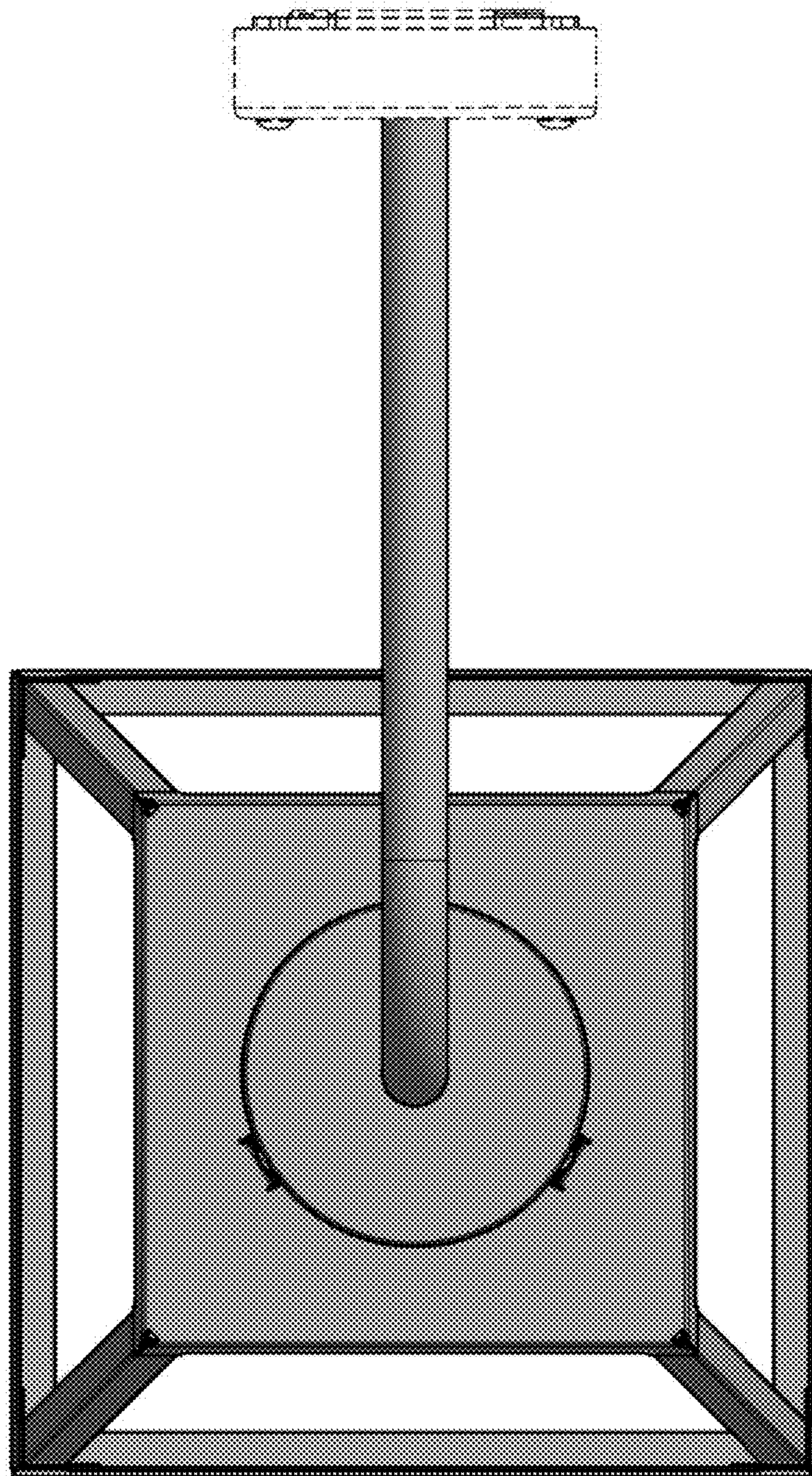
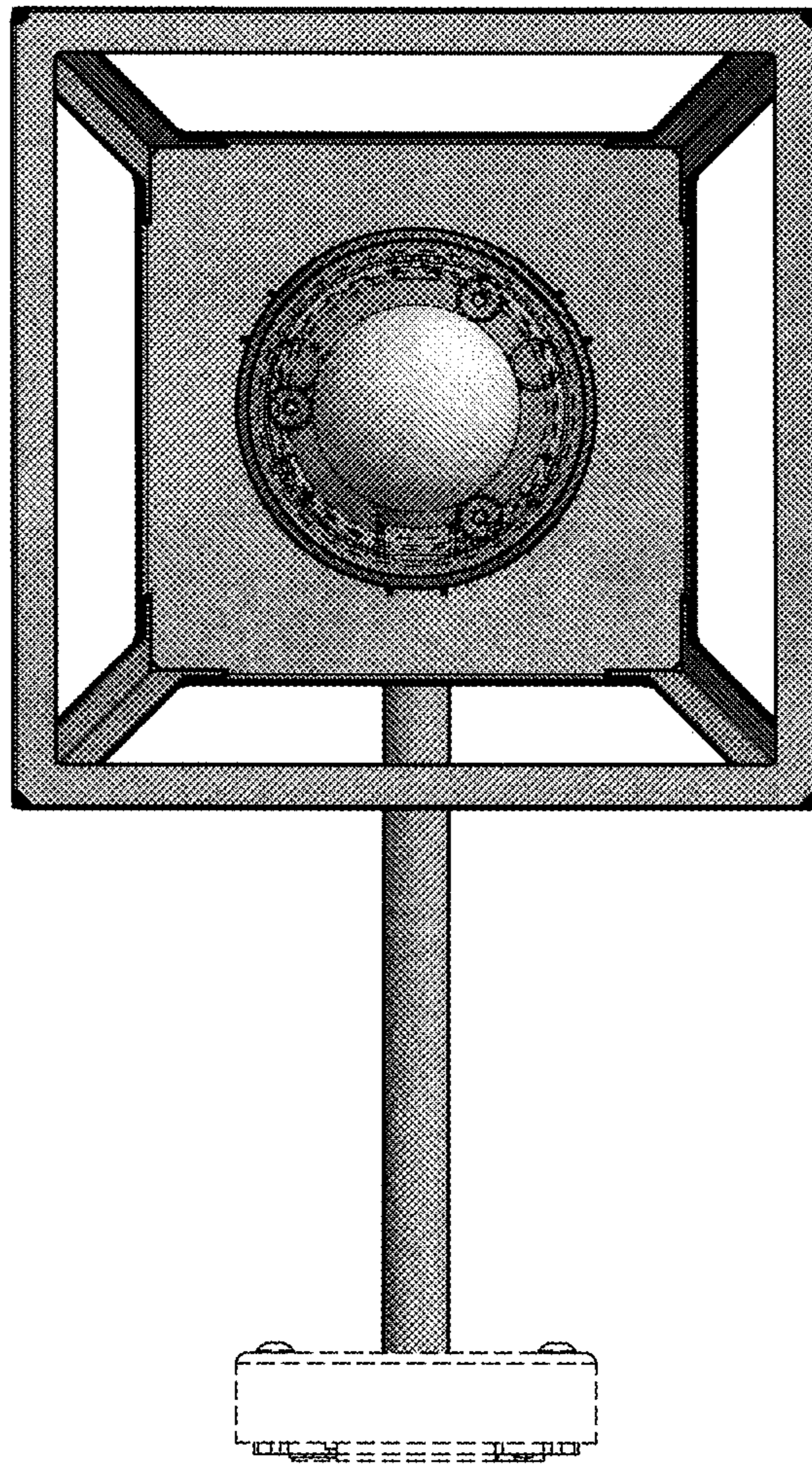


Fig. 6





**FIG. 7**