



US00D858390S

(12) **United States Design Patent** (10) **Patent No.:** **US D858,390 S**  
**Kato et al.** (45) **Date of Patent:** **\*\* Sep. 3, 2019**

(54) **INSTRUMENT PANEL FOR AN AUTOMOBILE**  
(71) Applicant: **HINO MOTORS, LTD.**, Tokyo (JP)  
(72) Inventors: **Makoto Kato**, Hino (JP); **Kazuhiro Kakuta**, Hino (JP)  
(73) Assignee: **HINO MOTORS, LTD.**, Hino-Shi, Tokyo (JP)  
(\*\*) Term: **15 Years**  
(21) Appl. No.: **35/505,598**  
(22) Filed: **Mar. 2, 2018**  
(80) **Hague Agreement Data**  
Int. Filing Date: **Mar. 2, 2018**  
Int. Reg. No.: **DM/100109**  
Int. Reg. Date: **Mar. 2, 2018**  
Int. Reg. Pub. Date: **Sep. 7, 2018**  
(51) **LOC (12) Cl.** ..... **12-16**  
(52) **U.S. Cl.**  
USPC ..... **D12/192**  
(58) **Field of Classification Search**  
USPC ..... D12/192; D14/126-129, 133, 373, 374, D14/388, 389  
CPC ..... B60R 2300/20; B60R 2300/205; B60R 2300/207; B60K 2350/2017; B60K 2350/206; B60K 35/00; B60K 37/04; B60K 37/06  
See application file for complete search history.

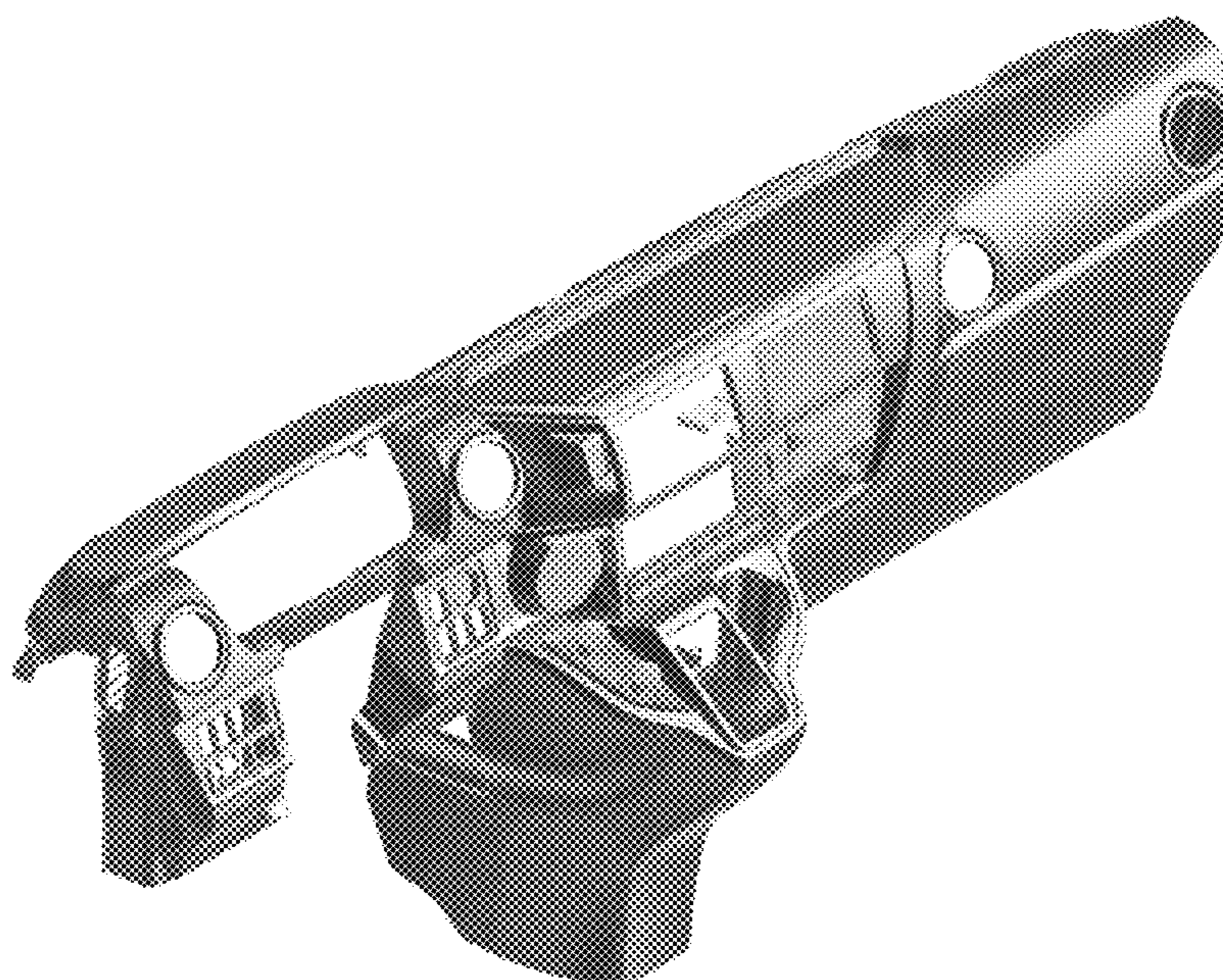
(56) **References Cited**  
U.S. PATENT DOCUMENTS  
D604,217 S \* 11/2009 Kabayama ..... D12/192  
D695,658 S \* 12/2013 Igarashi ..... D12/192  
D697,459 S \* 1/2014 Yamada ..... D12/192  
D697,460 S \* 1/2014 Matsuda ..... D12/192  
D791,664 S \* 7/2017 Igarashi ..... D12/192  
D812,536 S \* 3/2018 Matsuda ..... D12/192  
D824,306 S \* 7/2018 Joyce ..... D12/192

\* cited by examiner  
*Primary Examiner* — George D. Kirschbaum  
*Assistant Examiner* — Joseph J Kukella  
(74) *Attorney, Agent, or Firm* — Leydig Voit & Mayer

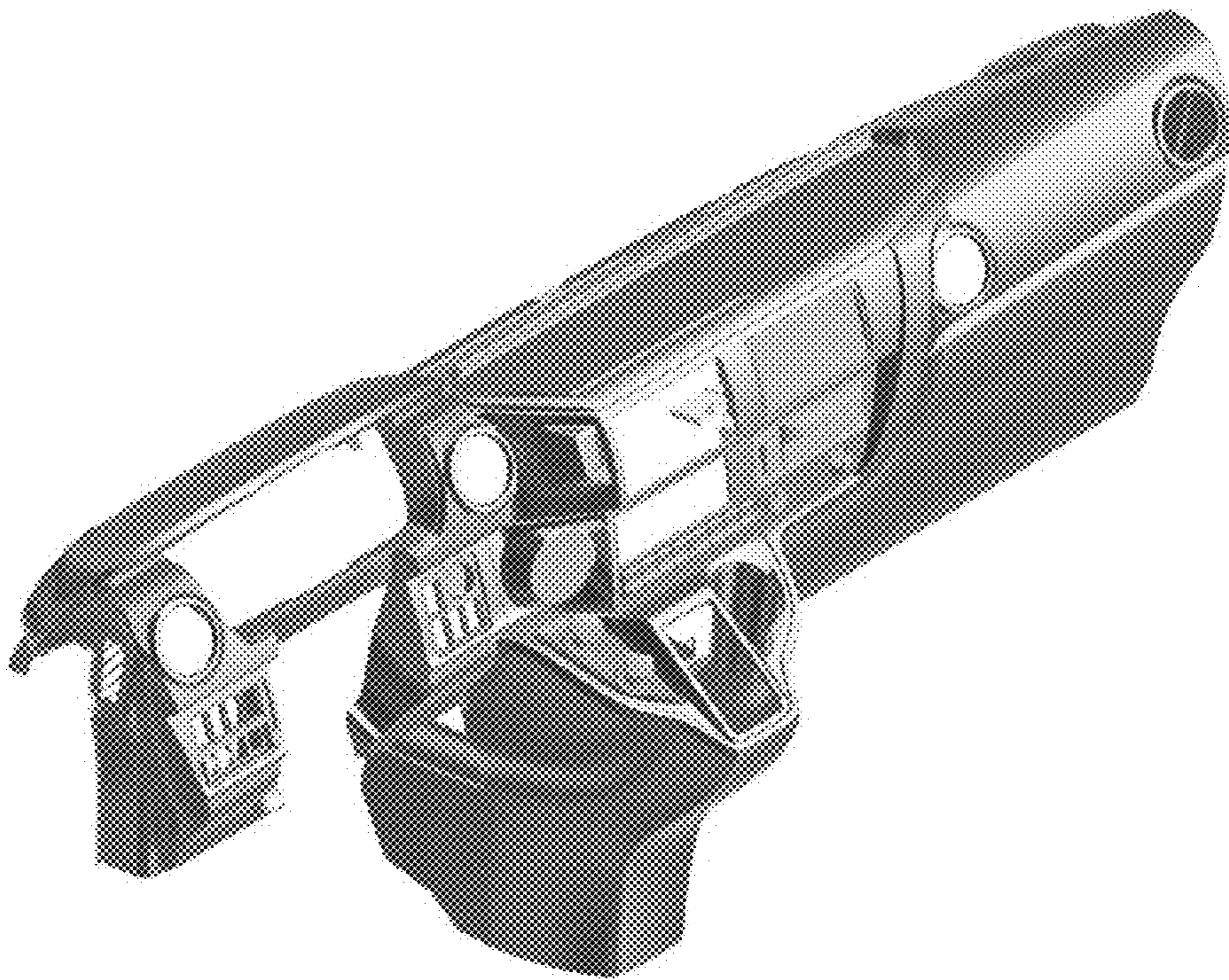
(57) **CLAIM**  
The ornamental design for an instrument panel for an automobile, as shown and described.

**DESCRIPTION**  
1. Instrument panel for an automobile  
1.1 : Perspective  
1.2 : Front  
1.3 : Back  
1.4 : Top  
1.5 : Bottom  
1.6 : Left  
1.7 : Right

**1 Claim, 7 Drawing Sheets**

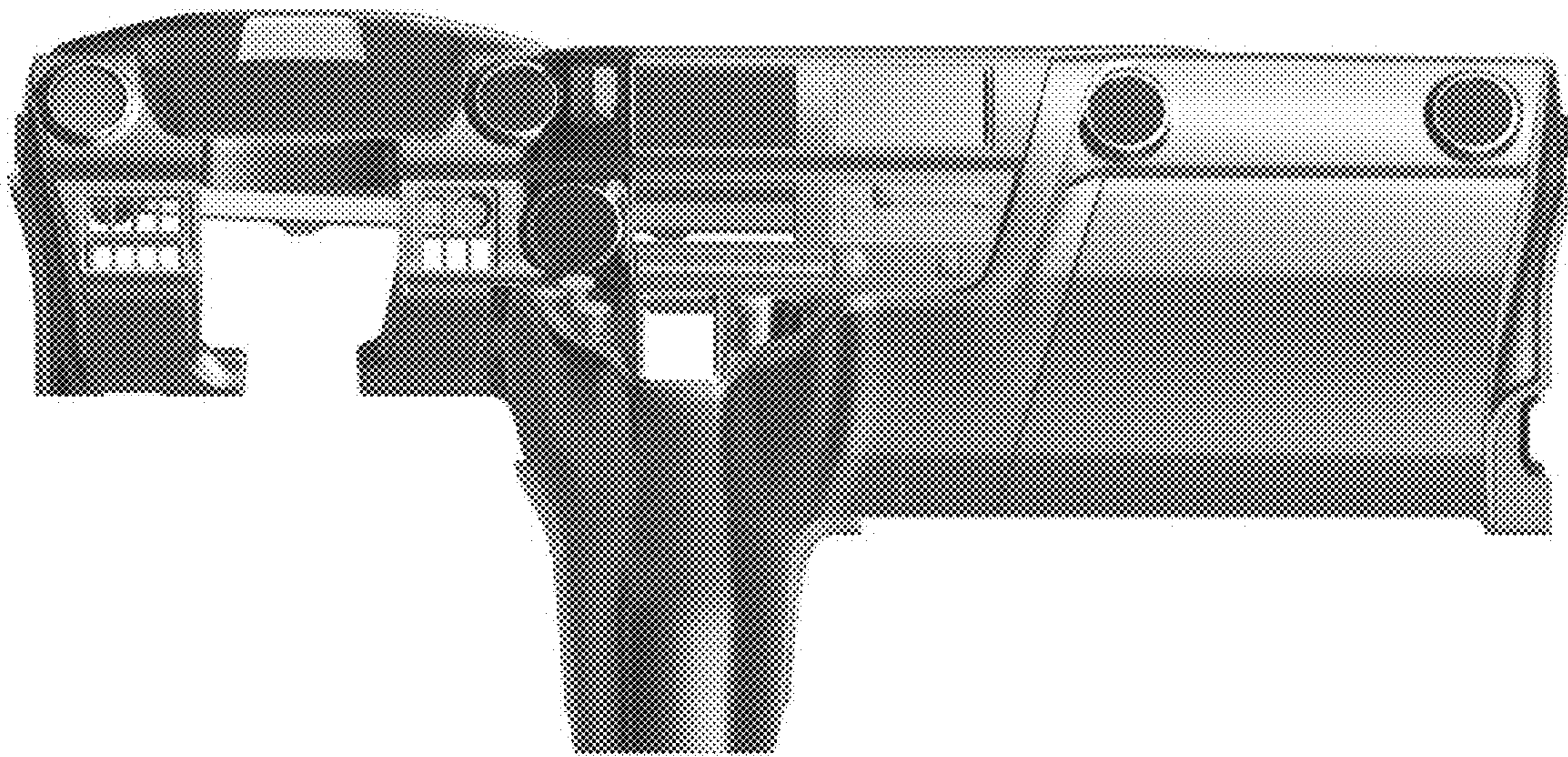


1.1

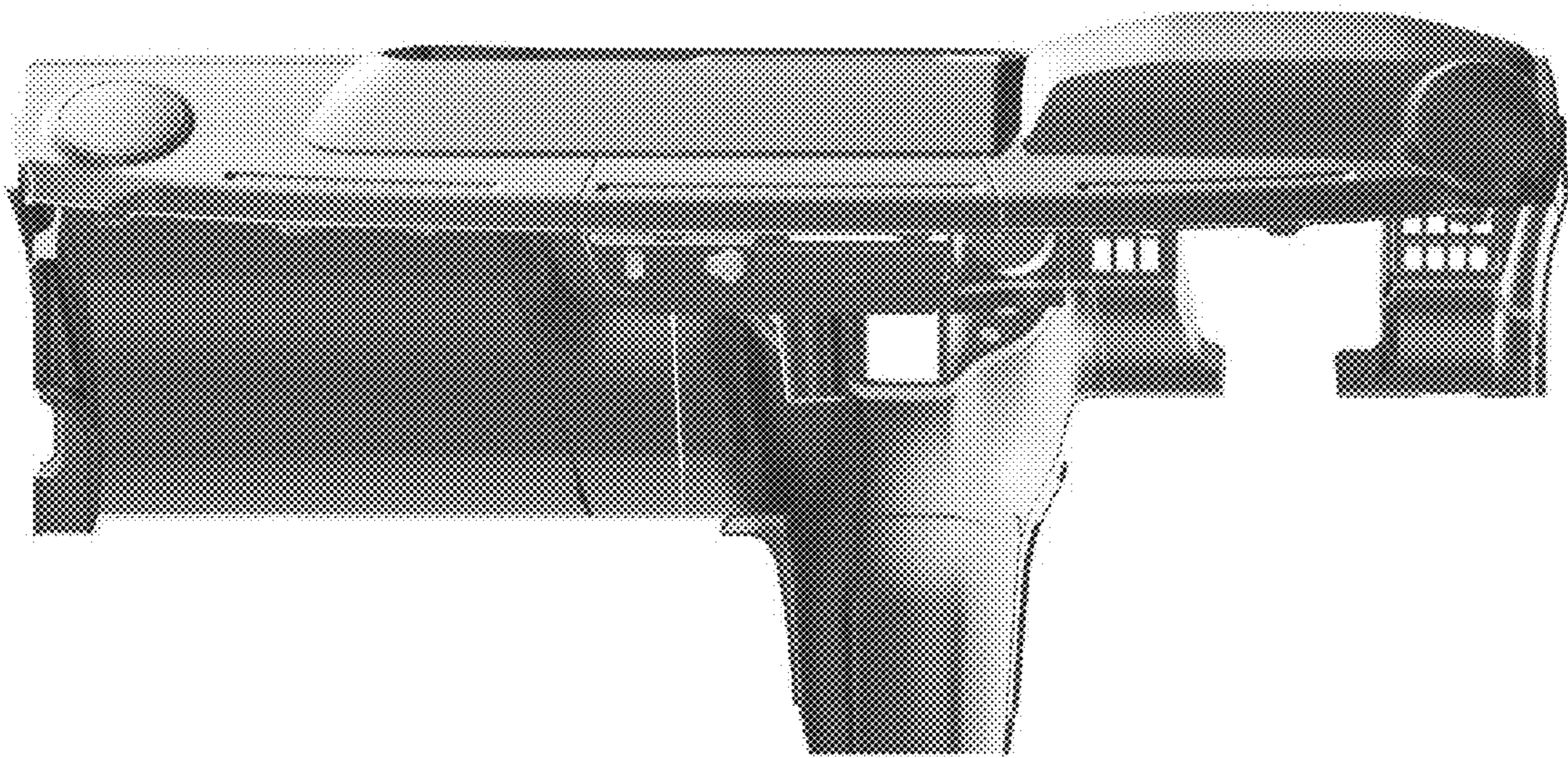




1.2

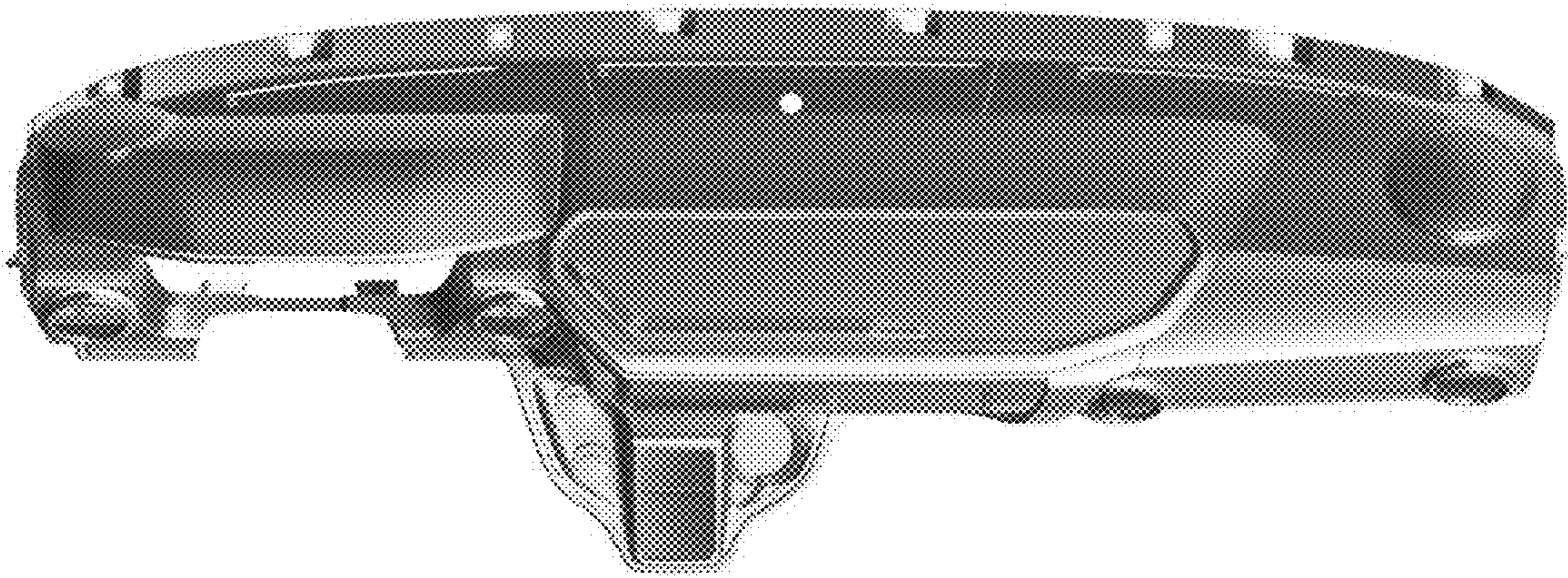


1.3

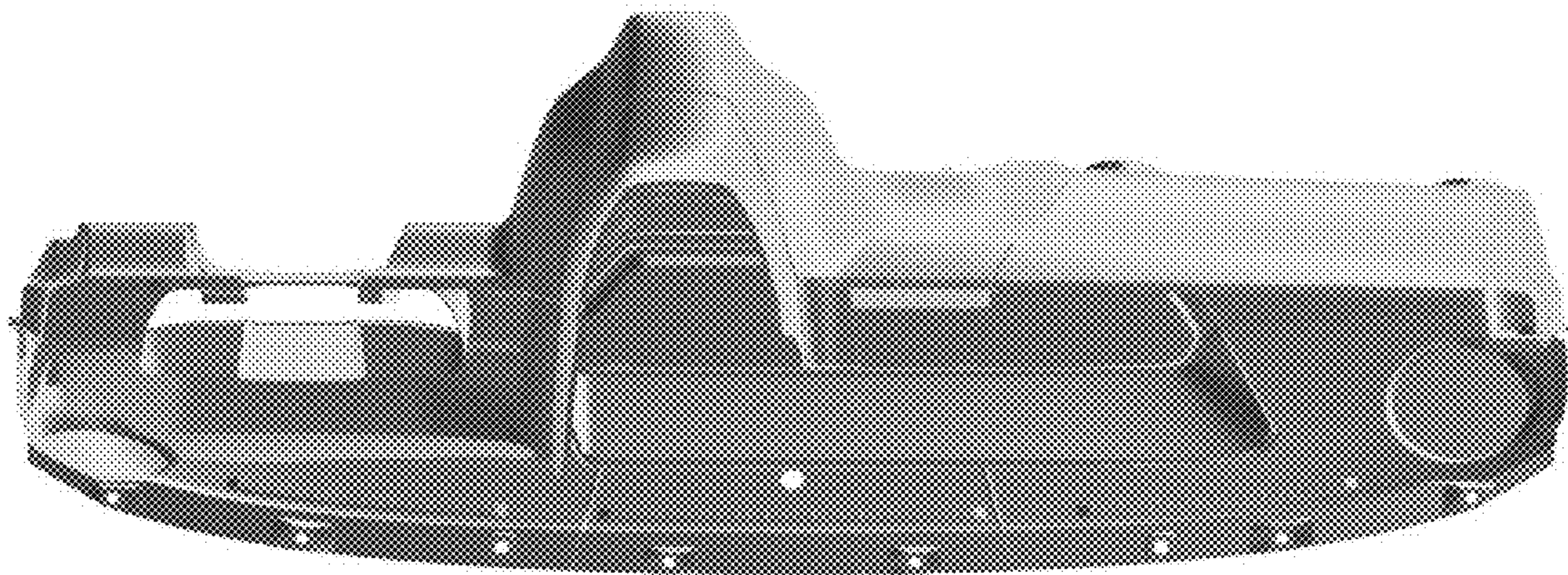




1.4



1.5



1.6





1.7

