



US00D858388S

(12) **United States Design Patent** (10) **Patent No.:** **US D858,388 S**
Song et al. (45) **Date of Patent:** **** Sep. 3, 2019**

(54) **SUN VISOR FOR VEHICLES**
(71) Applicant: **LG ELECTRONICS INC.**, Seoul (KR)
(72) Inventors: **Seunghwan Song**, Seoul (KR); **Seungmo Kang**, Seoul (KR); **Hansoo Kim**, Seoul (KR)
(73) Assignee: **LG ELECTRONICS INC.**, Seoul (KR)
(**) Term: **15 Years**
(21) Appl. No.: **35/505,379**
(22) Filed: **Jan. 25, 2018**
(80) **Hague Agreement Data**
Int. Filing Date: **Jan. 25, 2018**
Int. Reg. No.: **DM/099780**
Int. Reg. Date: **Jan. 25, 2018**
Int. Reg. Pub. Date: **Jul. 27, 2018**

(30) **Foreign Application Priority Data**
Jul. 26, 2017 (KR) 30-2017-0034425
(51) **LOC (12) Cl.** **12-16**
(52) **U.S. Cl.**
USPC **D12/191**
(58) **Field of Classification Search**
USPC D12/106, 181, 183-185, 191, 311-312, D12/417
CPC B60J 3/02; B60J 3/0208
See application file for complete search history.

(56) **References Cited**
U.S. PATENT DOCUMENTS
D371,532 S * 7/1996 Raevsky D12/191
D393,824 S * 4/1998 Satrustegui D12/191

D434,357 S * 11/2000 Raevsky D12/191
D474,433 S * 5/2003 Heckman D12/191
D501,655 S * 2/2005 Tuccinardi D12/191
D522,943 S * 6/2006 Opoku-Agyemang D12/191
D526,259 S * 8/2006 Votz D12/191
D536,739 S * 2/2007 Kenton D20/40
D628,532 S * 12/2010 Niu D12/417
D681,526 S * 5/2013 Santos D12/191
D710,277 S * 8/2014 Doyle D12/183
D740,189 S * 10/2015 Lopez-Ross D12/191
D740,190 S * 10/2015 Spencer D12/191
9,770,965 B2 * 9/2017 Huff B60J 3/023
D817,831 S * 5/2018 Bilodeau D12/191
D826,812 S * 8/2018 Von Holzhausen D12/191
D833,350 S * 11/2018 Windel D12/191
2018/0009295 A1 * 1/2018 Jalpa B60J 3/007
2018/0162202 A1 * 6/2018 Yoshimi B60J 3/0208

* cited by examiner

Primary Examiner — Darlington Ly
(74) *Attorney, Agent, or Firm* — Birch, Stewart, Kolasch & Birch, LLP

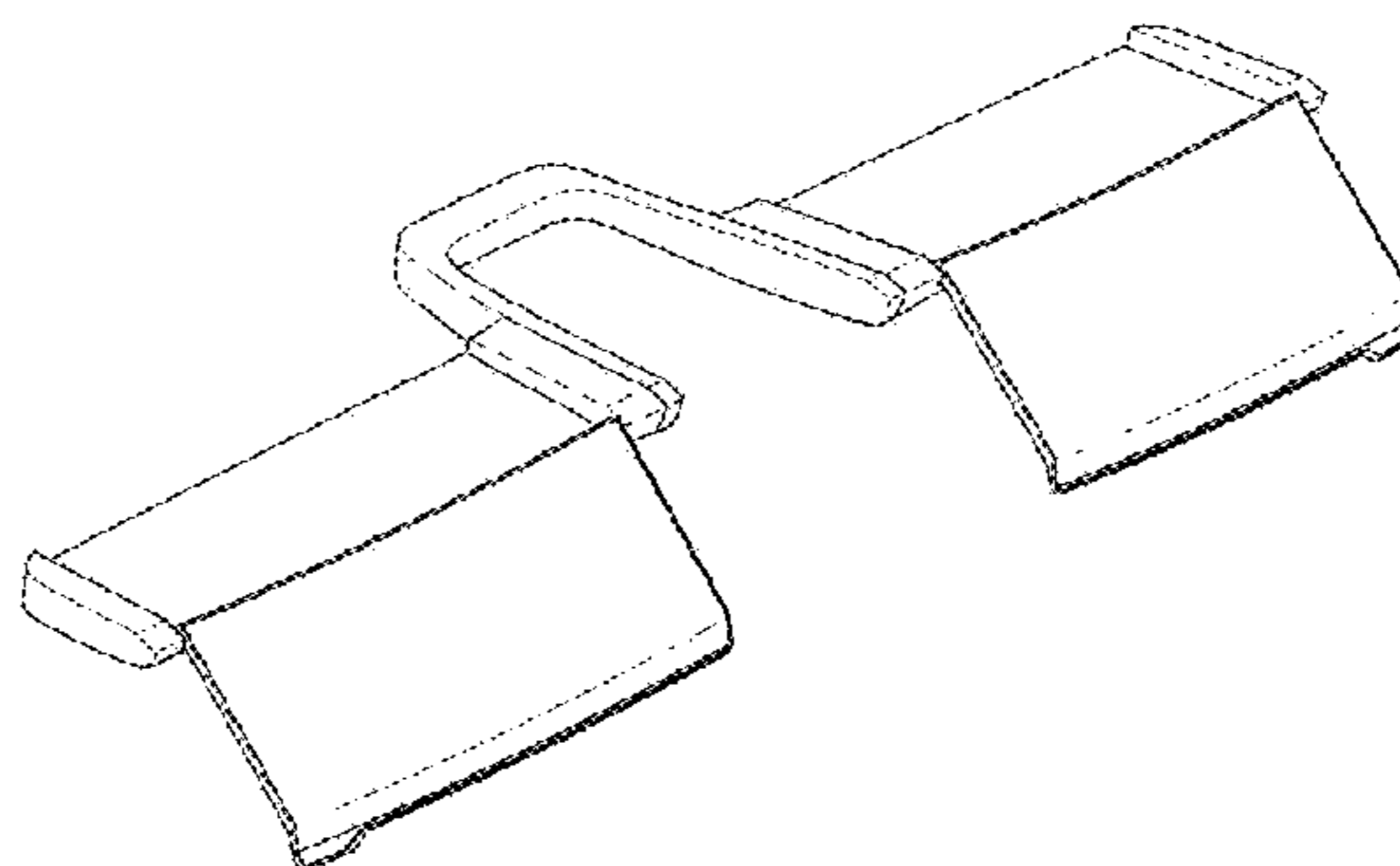
(57) **CLAIM**

The ornamental design for a sun visor for vehicles, as shown and described.

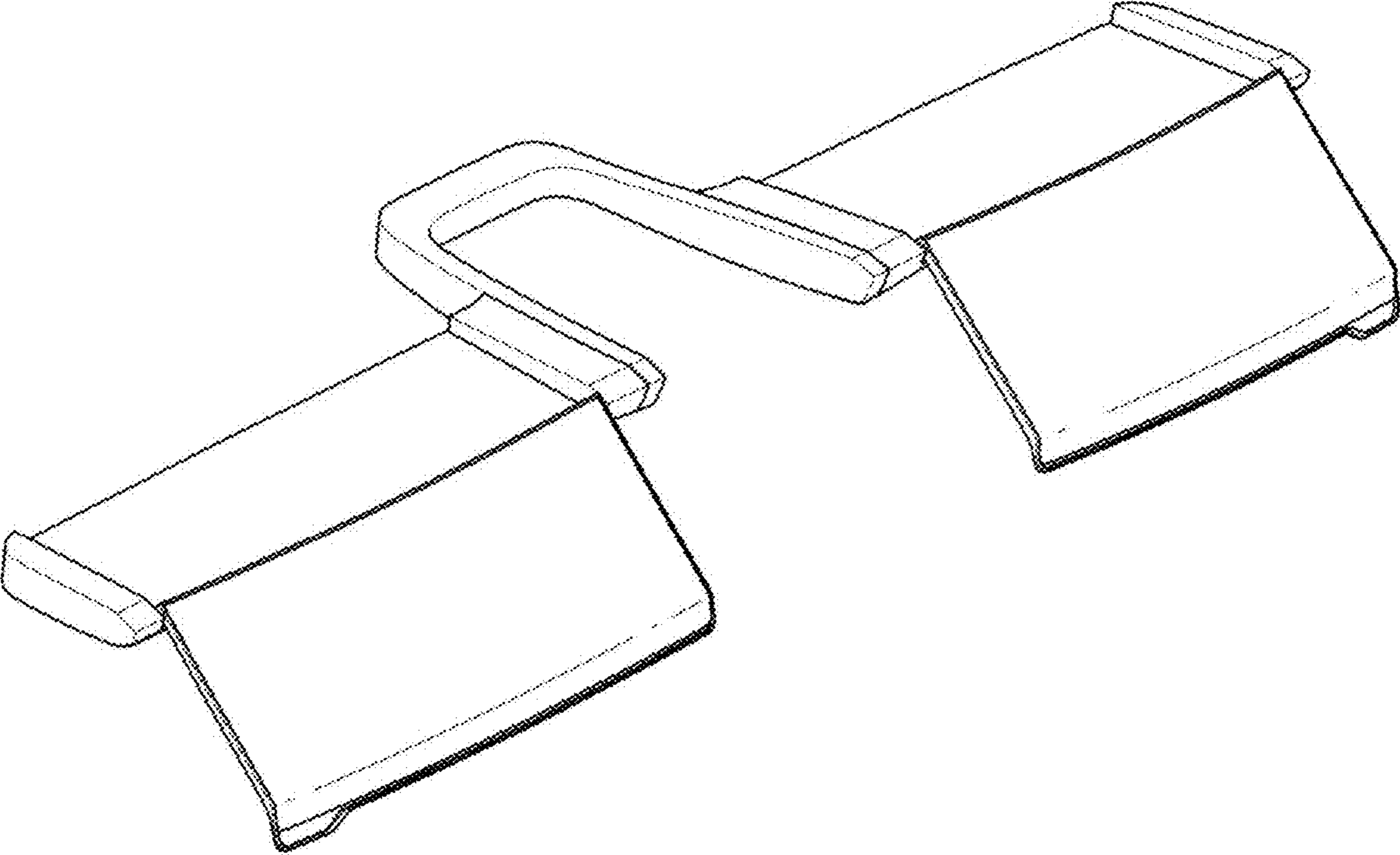
DESCRIPTION

1. Sun visor for vehicles
1.1 is a front perspective view of a sun visor for vehicles showing our new design;
1.2 is a rear perspective view thereof;
1.3 is a front elevation view thereof;
1.4 is a rear elevation view thereof;
1.5 is a left side elevation view thereof;
1.6 is a right side elevation view thereof;
1.7 is a top plan view thereof; and
1.8 is a bottom plan view thereof.

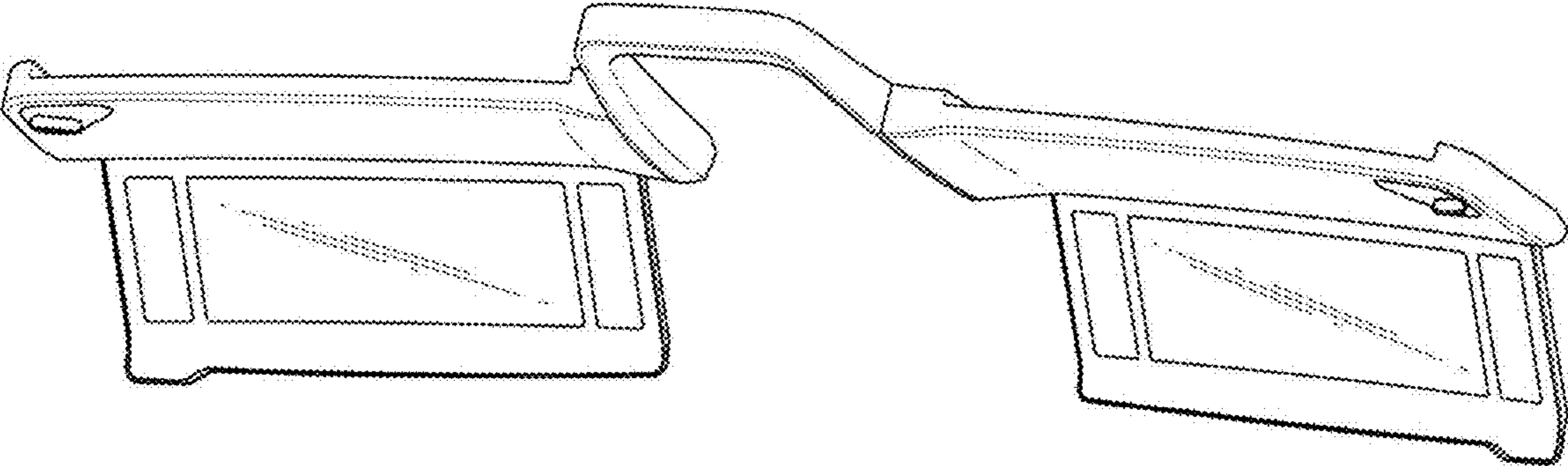
1 Claim, 8 Drawing Sheets



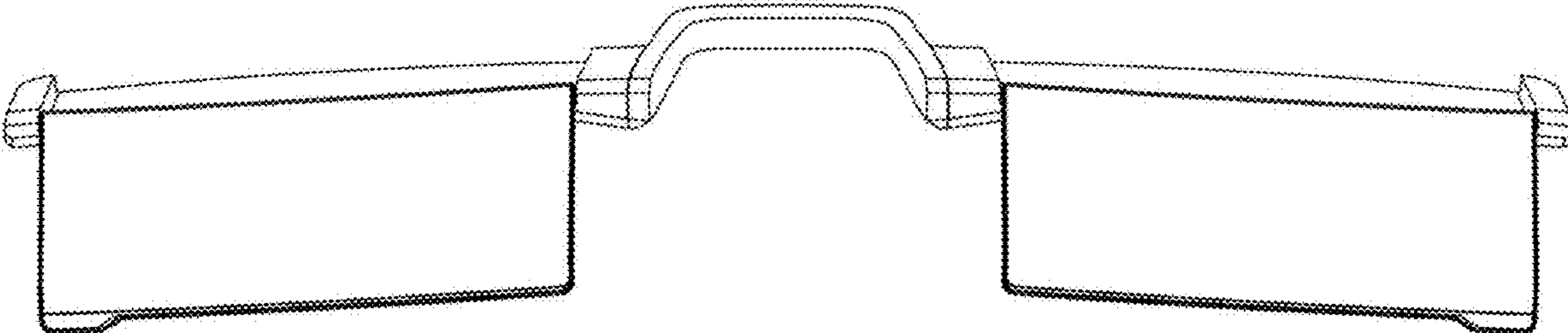
1.1



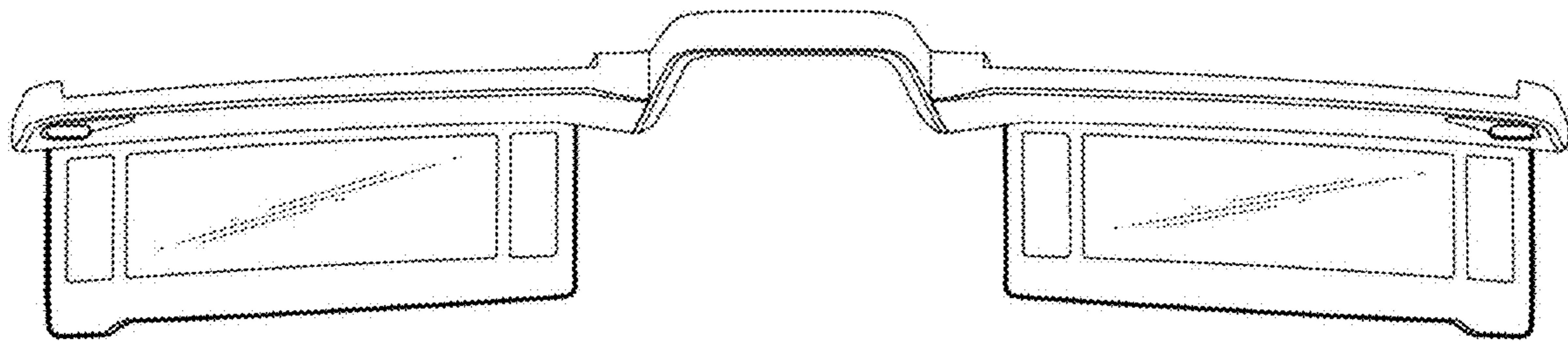
1.2

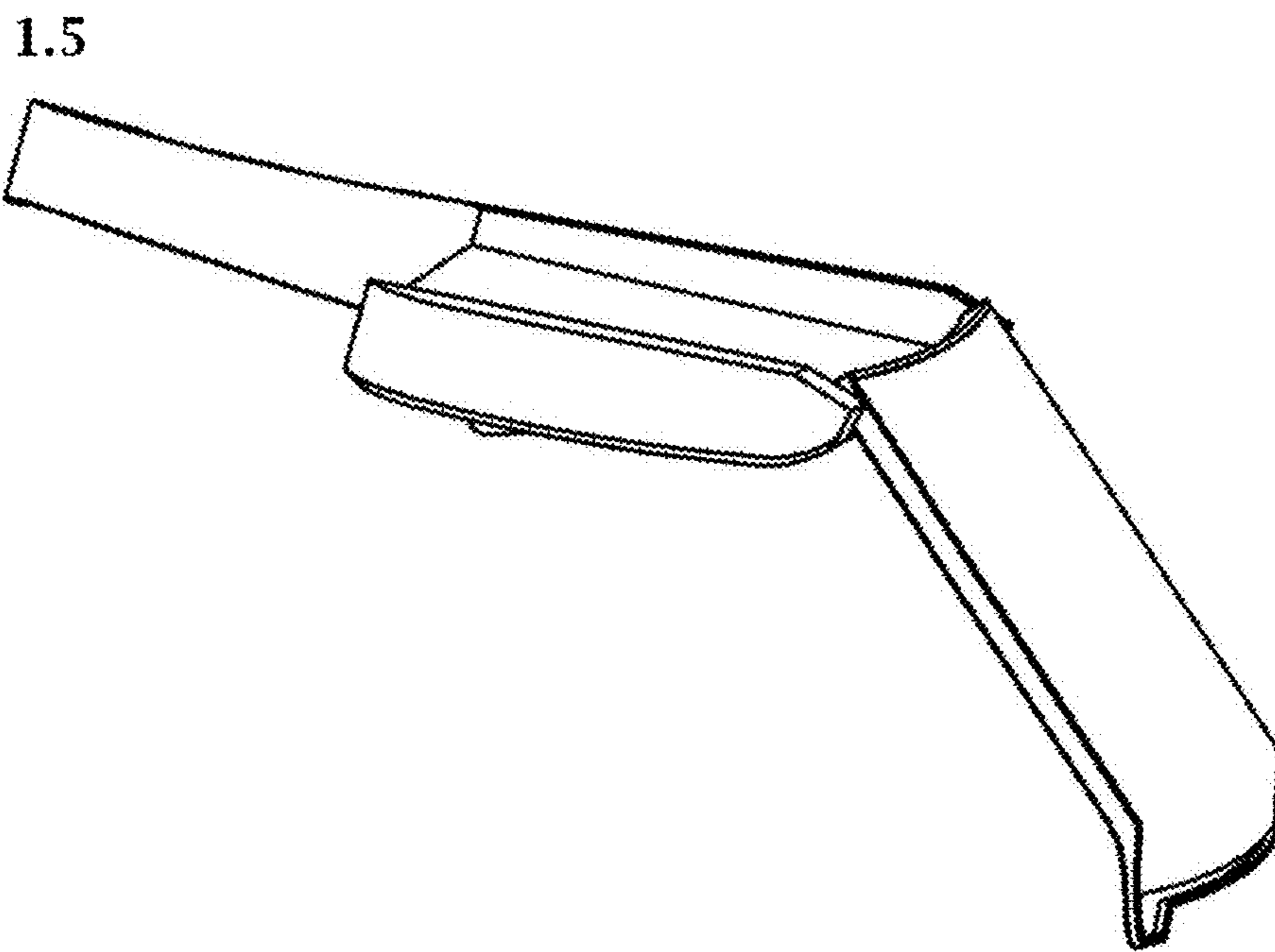


1.3

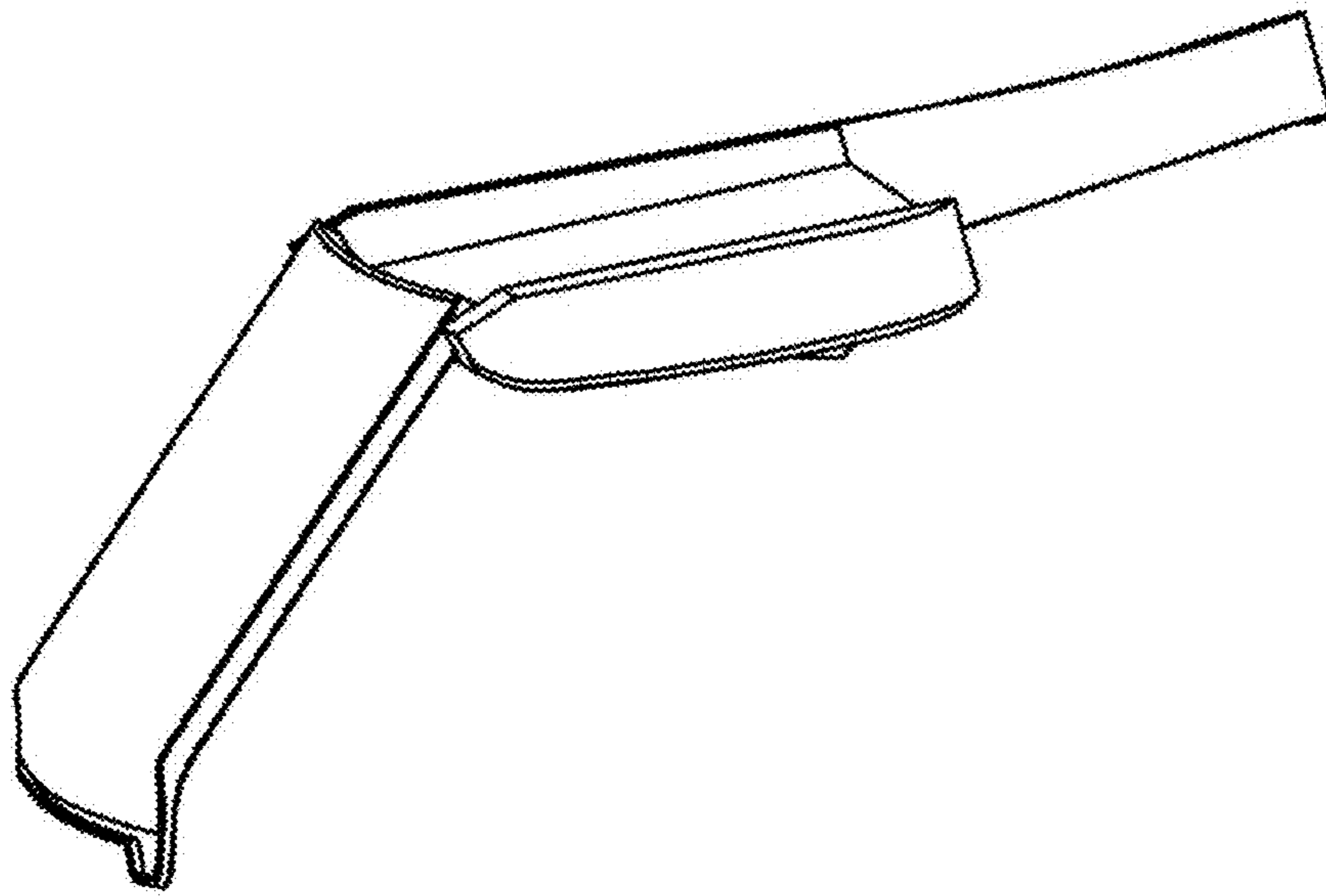


1.4

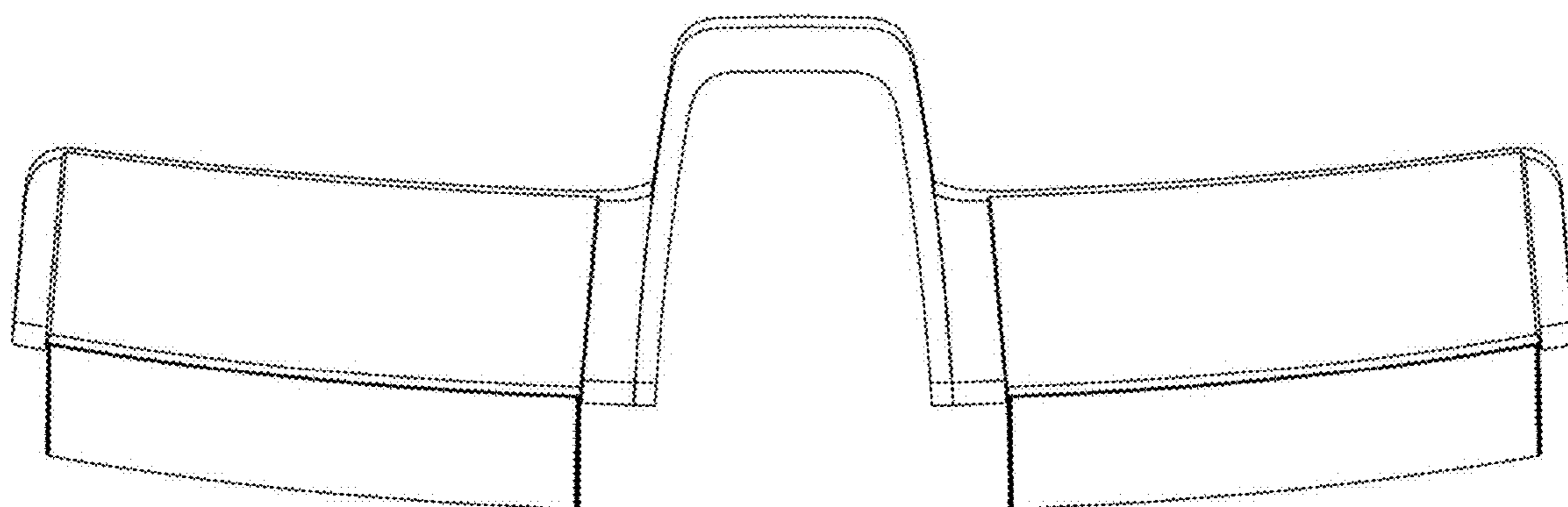




1.6



1.7



1.8

