



US00D858387S

(12) **United States Design Patent** (10) **Patent No.:** **US D858,387 S**
Castelmezzano (45) **Date of Patent:** **** Sep. 3, 2019**

(54) **TRIPLE LENS REMOTE CONTROLLED VEHICLE SIDE REAR VIEW MIRROR**

D702,610 S * 4/2014 Hall D12/187
D789,868 S * 6/2017 Enz D12/400
D815,001 S * 4/2018 Banceu D12/187

(71) Applicant: **Lucerix International Corporation,**
Oakville (CA)

* cited by examiner

(72) Inventor: **Pasquale Castelmezzano,** Mississauga
(CA)

Primary Examiner — Abraham Bahta

(74) *Attorney, Agent, or Firm* — Rideout & Maybee LLP

(**) Term: **15 Years**

(57) **CLAIM**

The ornamental design of the triple lens remote controlled vehicle side rear view mirror, as shown and described.

(21) Appl. No.: **29/646,488**

DESCRIPTION

(22) Filed: **May 4, 2018**

(51) **LOC (12) Cl.** **12-16**

(52) **U.S. Cl.**
USPC **D12/187**

(58) **Field of Classification Search**
USPC D12/114, 187-189, 191, 400, 404;
D6/300, 309; 359/843, 844, 881, 877,
359/604, 868, 838, 839, 841, 514;
248/466, 474
CPC B60R 1/076; B60R 1/074; B60R 1/078;
B60R 1/08; B60R 1/081; B60R 1/082;
B60R 1/025; G02B 7/182; G02B 7/18
See application file for complete search history.

FIG. 1 is a front side plan view of the present design triple lens remote controlled vehicle side rear view mirror;
FIG. 2 is a right side plan view of the design depicted in FIG. 1;
FIG. 3 is a back side plan view of the design depicted in FIG. 1;
FIG. 4 is a left side plan view of the design depicted in FIG. 1;
FIG. 5 is a top side plan view of the design depicted in FIG. 1;
FIG. 6 is a bottom side plan view of the design depicted in FIG. 1;
FIG. 7 is a top right side isometric view of the design depicted in FIG. 1;
FIG. 8 is a top left side isometric view of the design depicted in FIG. 1; and,
FIG. 9 is a bottom isometric view of the design depicted in FIG. 1.

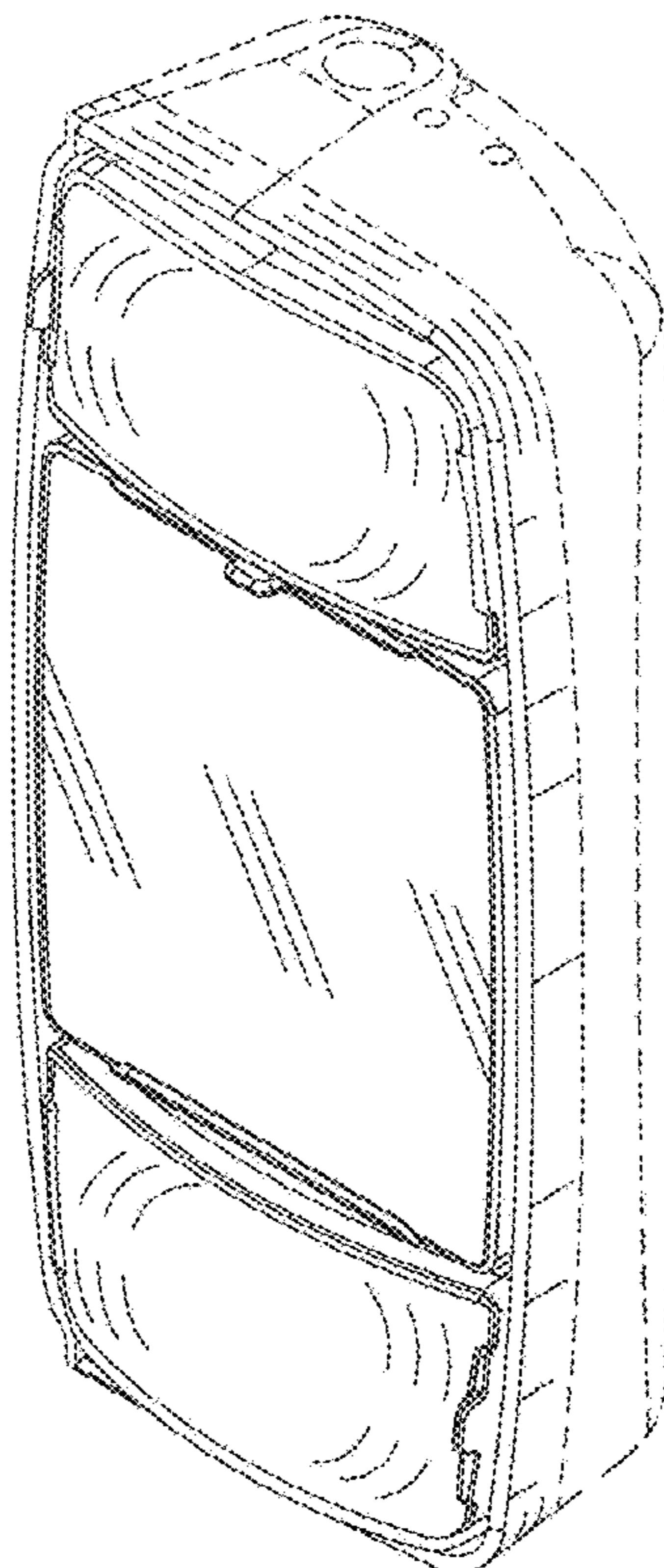
The dashed lines represent unclaimed subject matter.

(56) **References Cited**

U.S. PATENT DOCUMENTS

D457,114 S * 5/2002 Lang D12/187
D610,513 S * 2/2010 Meier D12/187

1 Claim, 9 Drawing Sheets



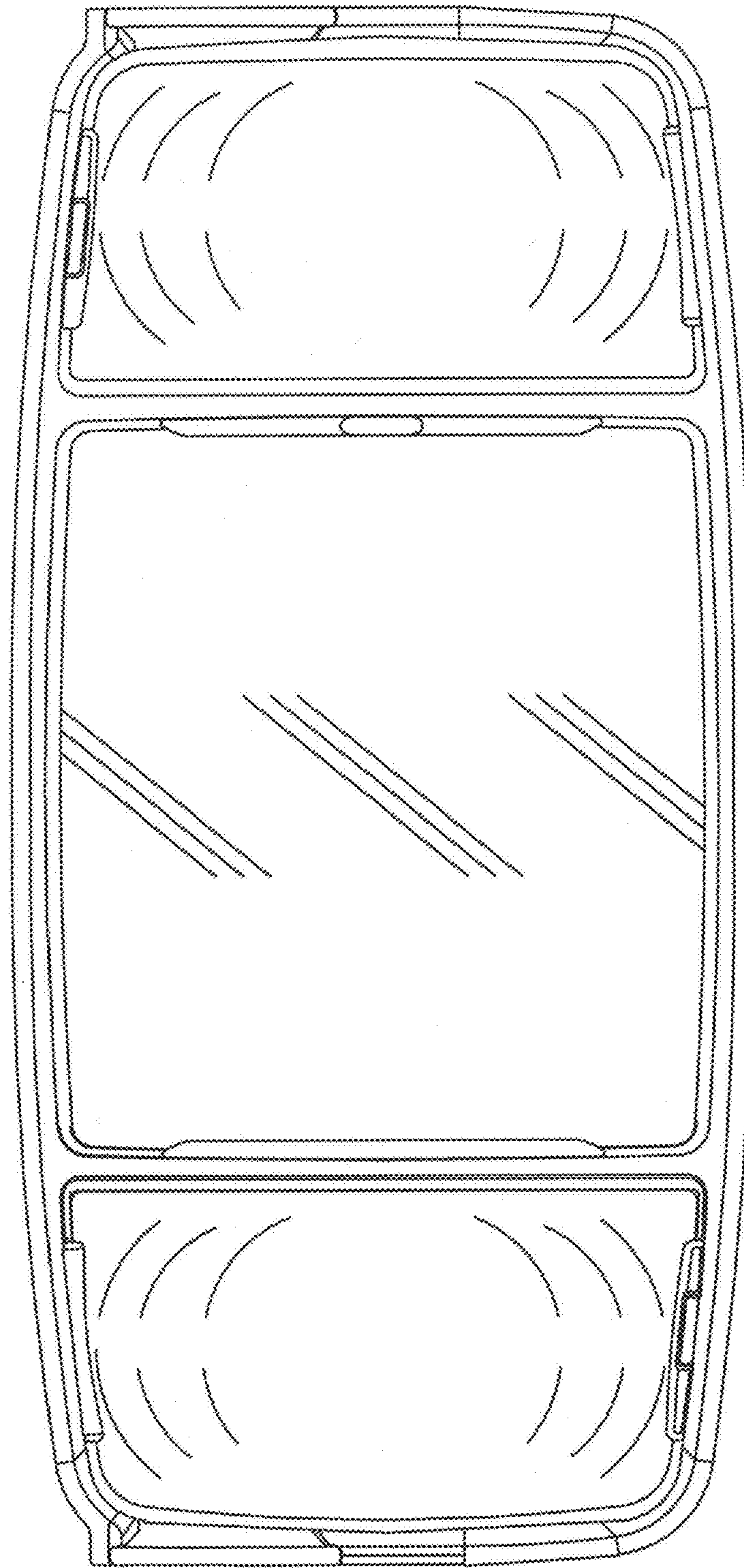


FIG. 1

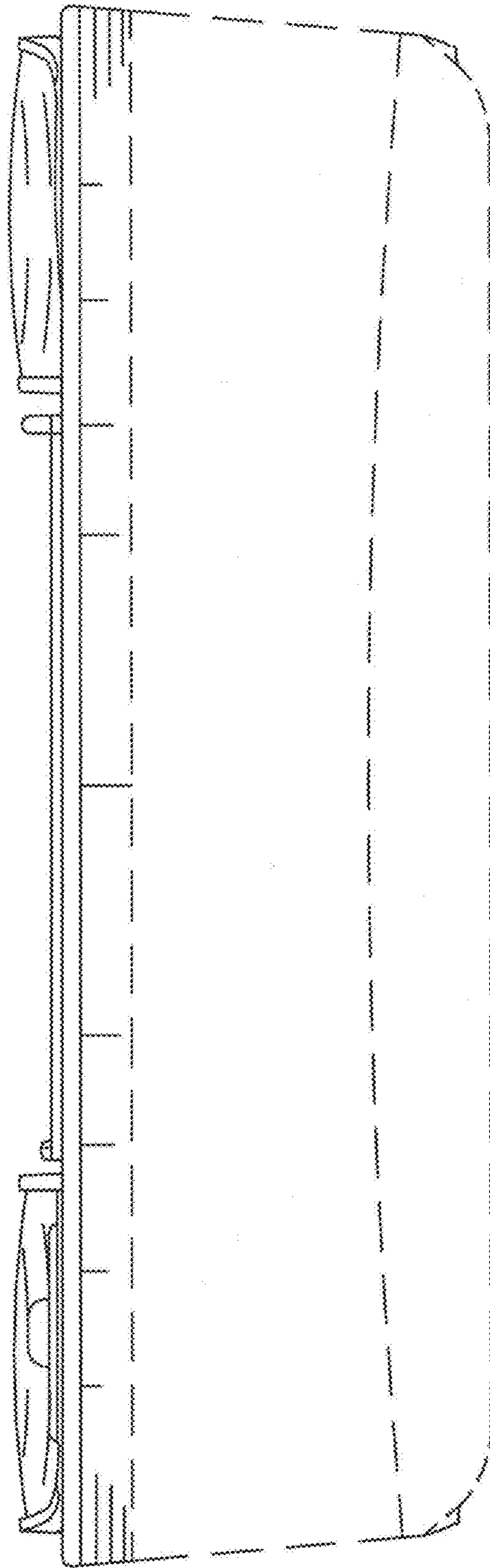


FIG. 2

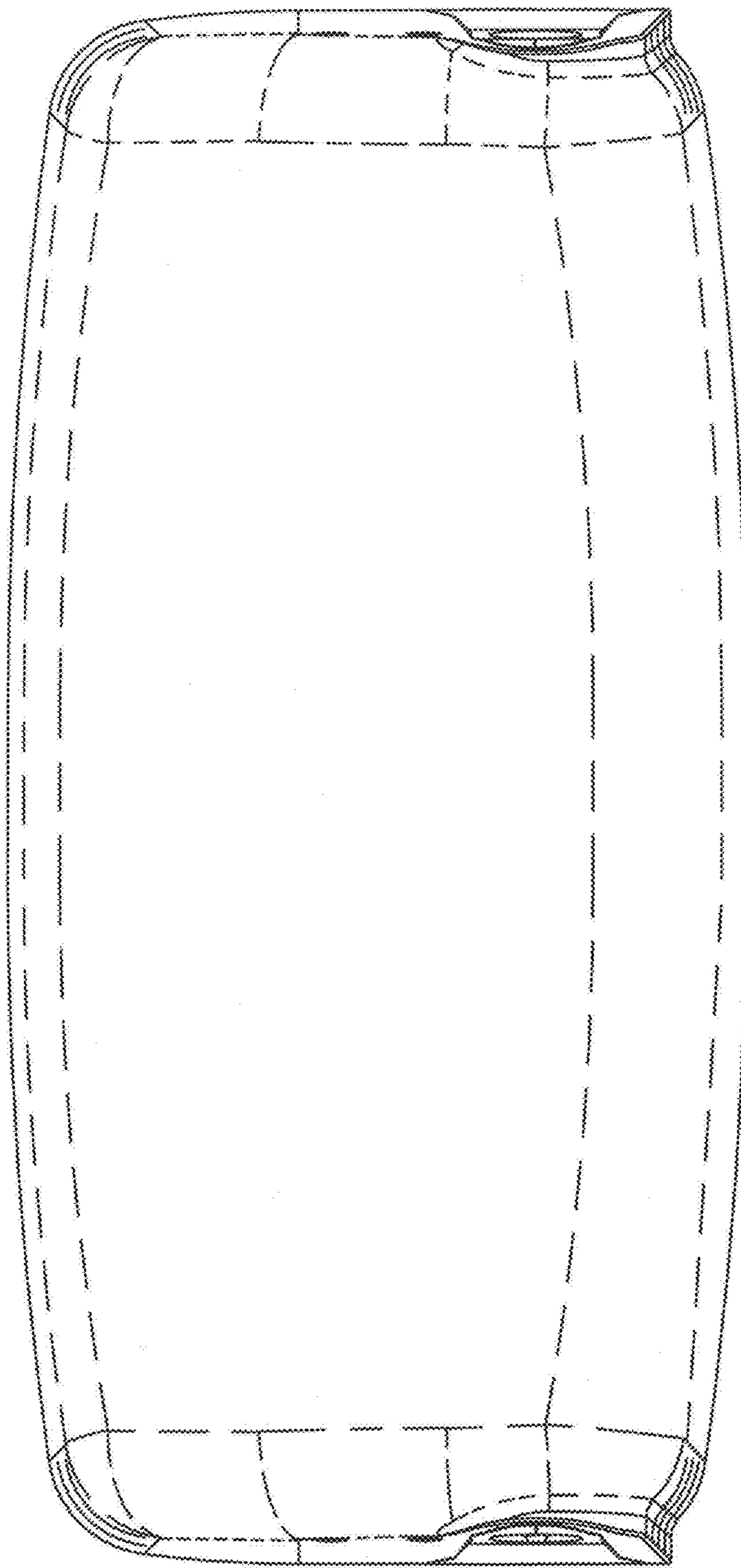


FIG. 3

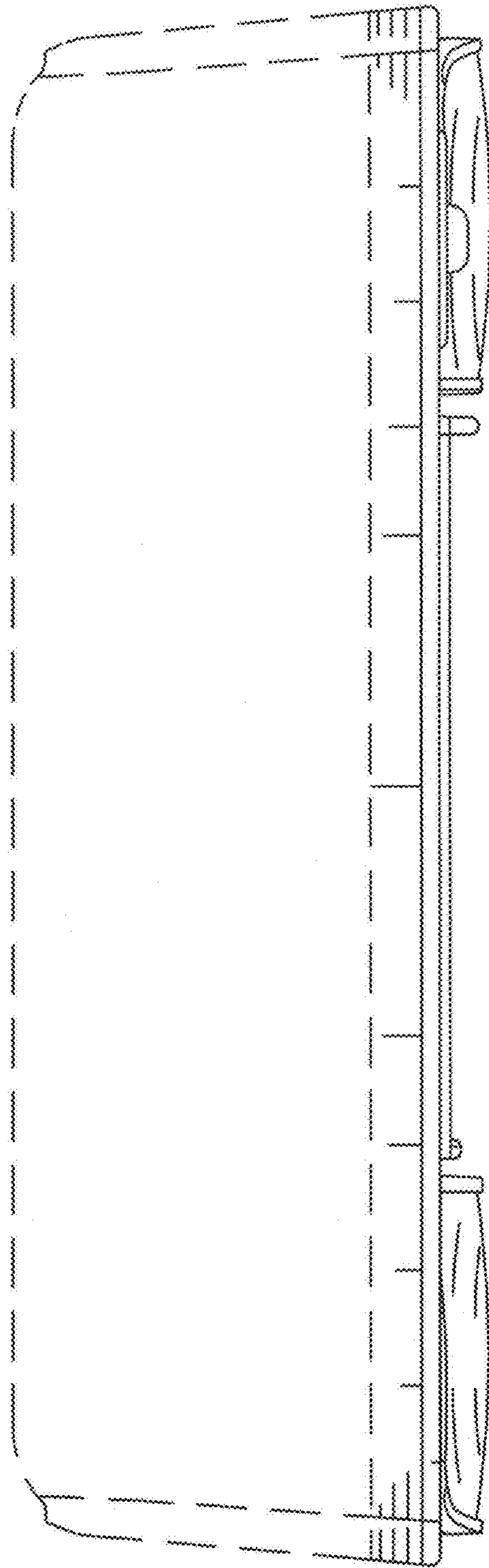


FIG. 4

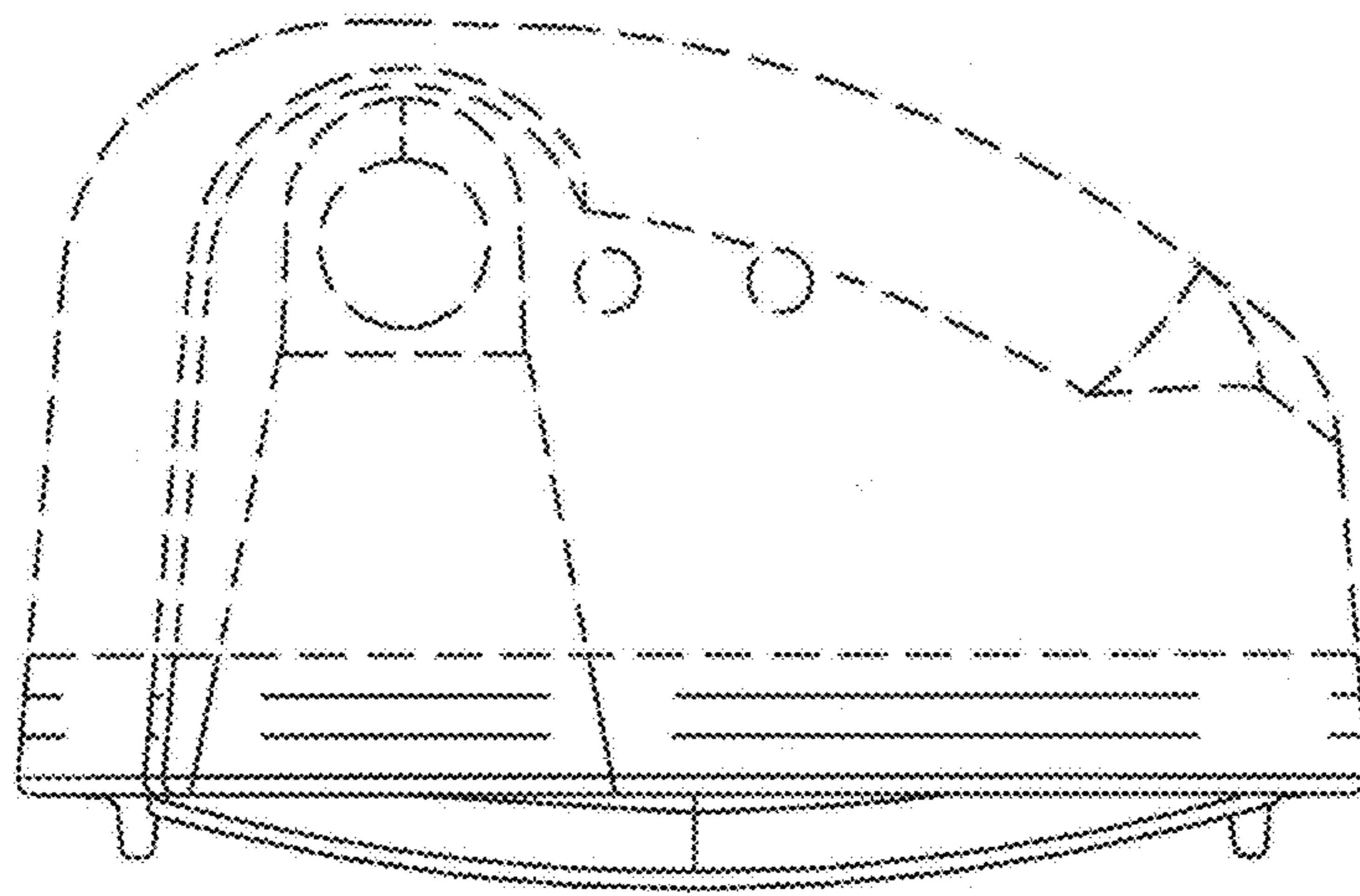


FIG. 5

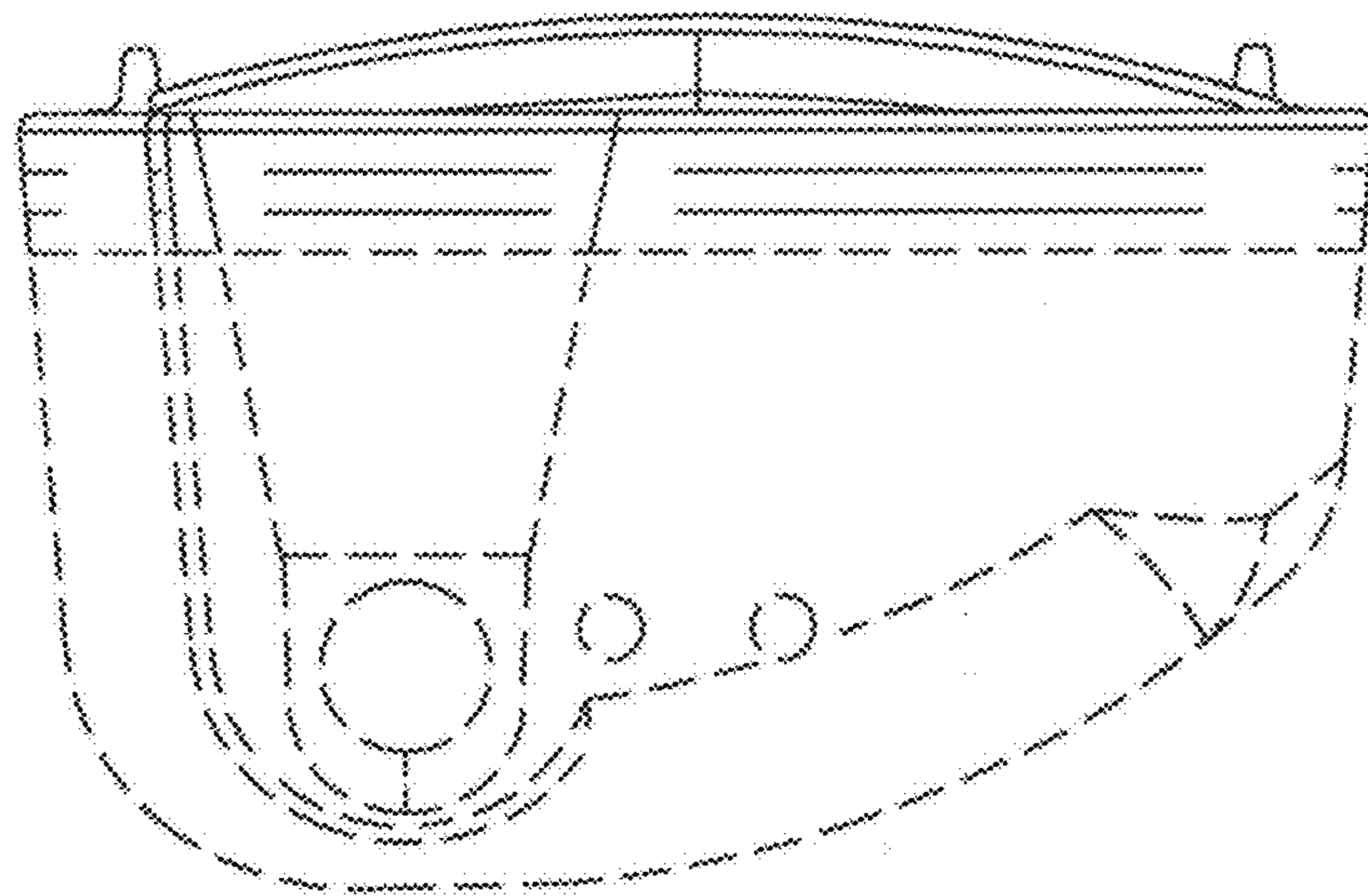


FIG. 6

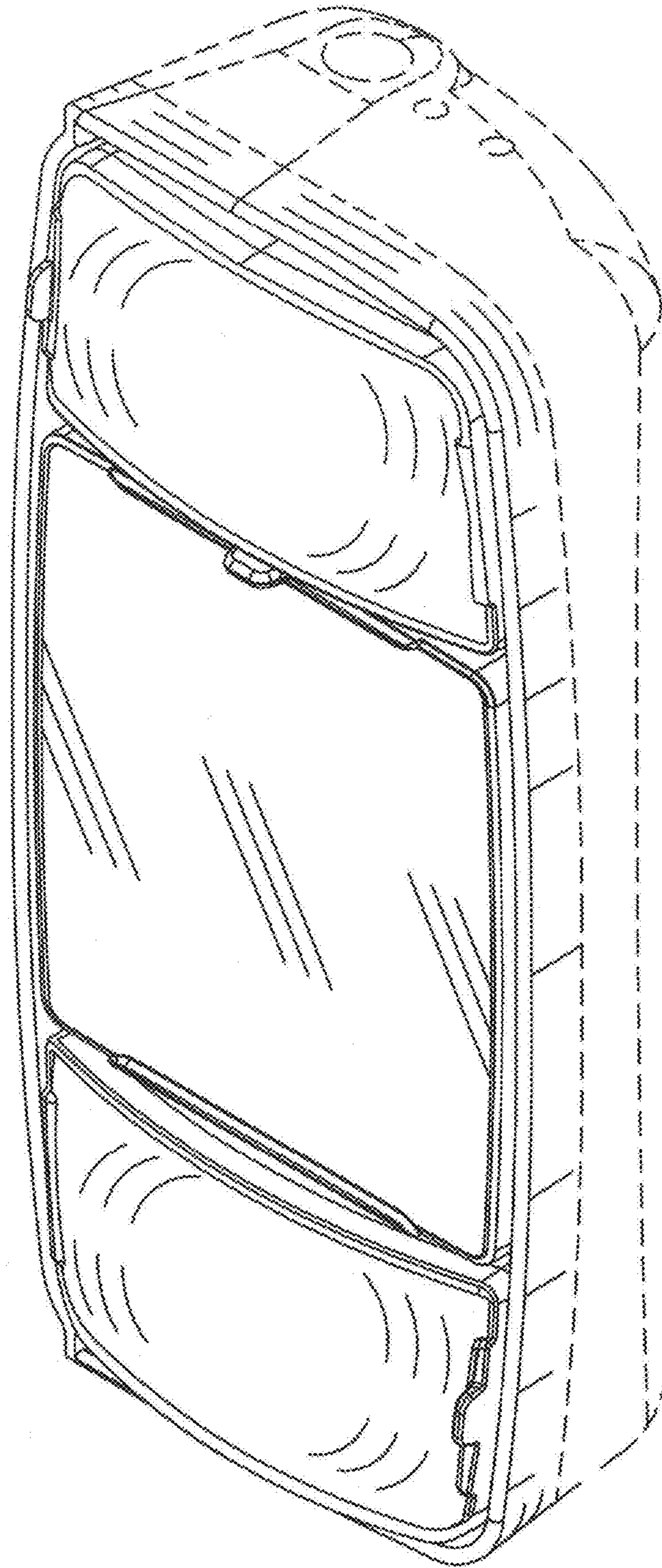


FIG. 7

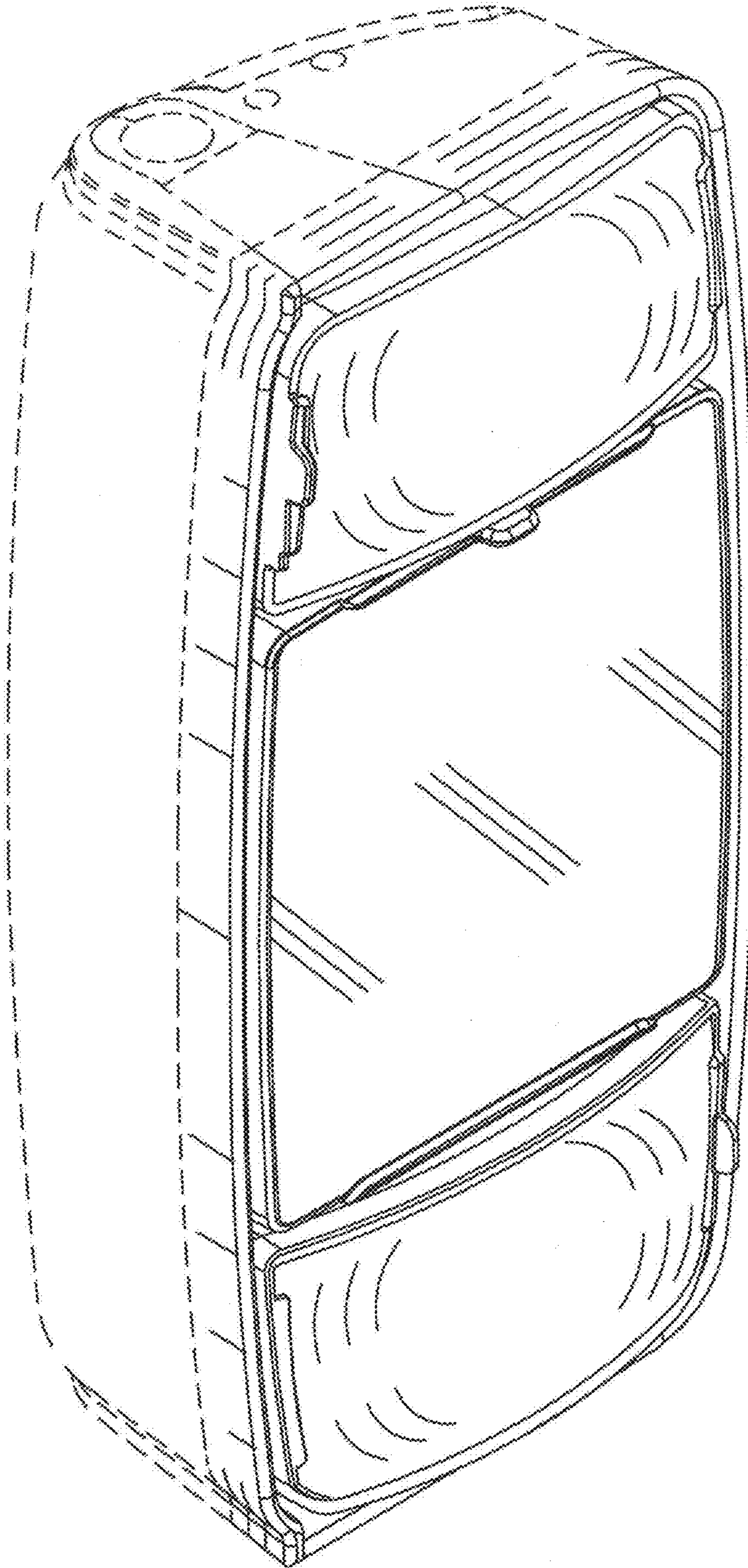


FIG. 8

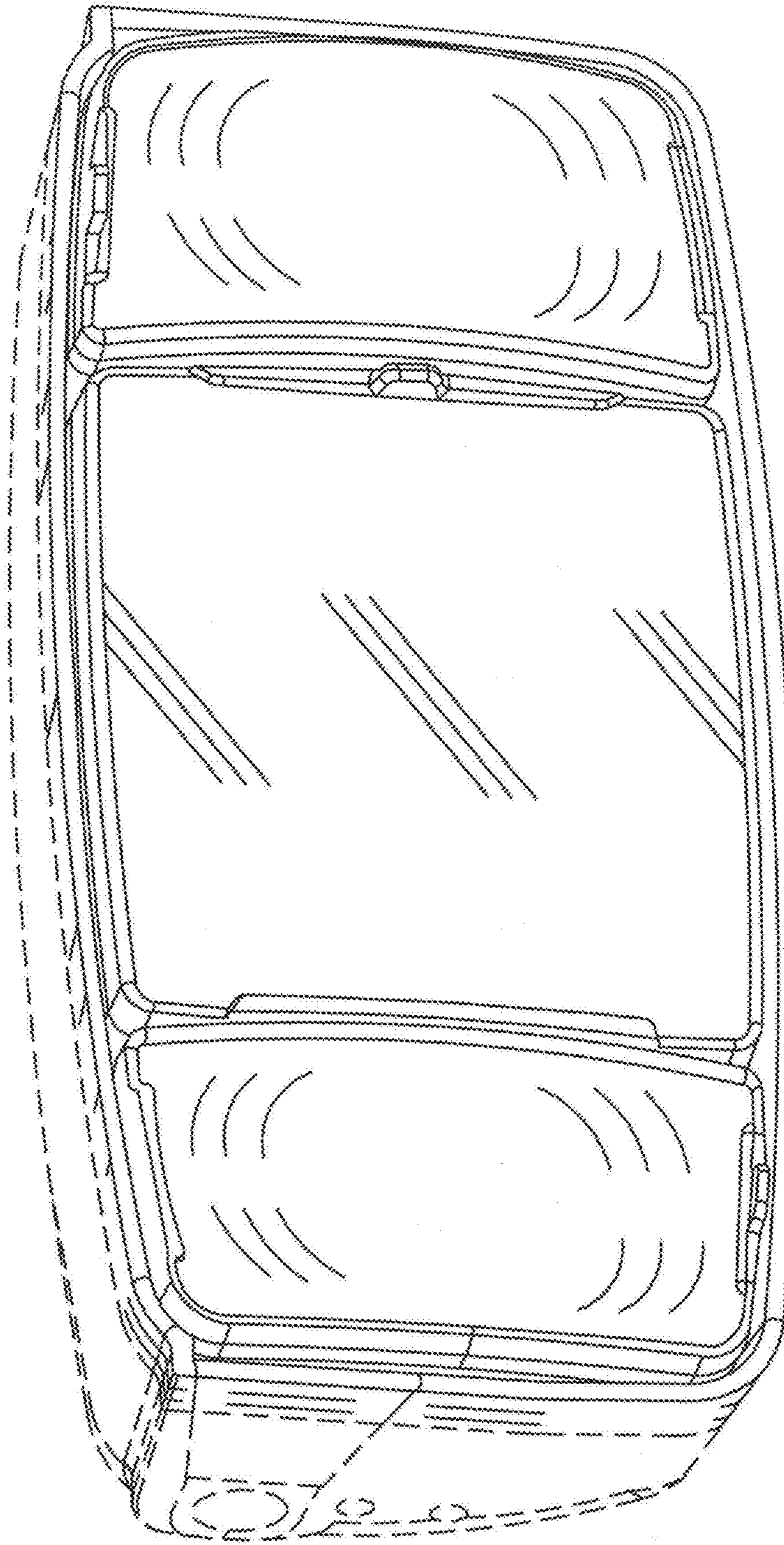


FIG. 9