



US00D858385S

(12) **United States Design Patent** (10) **Patent No.:** **US D858,385 S**  
**Phillips** (45) **Date of Patent:** **\*\* Sep. 3, 2019**

- (54) **SET OF FENDER FLARES**
- (71) Applicant: **Phillips Performance, Inc.**, Mission Viejo, CA (US)
- (72) Inventor: **William Phillips**, Mission Viejo, CA (US)
- (73) Assignee: **Phillips Performance, Inc.**, Mission Viejo, CA (US)
- (\*\*) Term: **15 Years**
- (21) Appl. No.: **29/621,153**
- (22) Filed: **Oct. 4, 2017**
- (51) **LOC (12) Cl.** ..... **12-16**
- (52) **U.S. Cl.**  
USPC ..... **D12/184**
- (58) **Field of Classification Search**  
USPC ..... D12/114, 181, 184; D15/28  
CPC ..... B62D 25/16; B62D 25/18  
See application file for complete search history.

(56) **References Cited**

**U.S. PATENT DOCUMENTS**

D546,253 S *	7/2007	Lee	.....	D12/106
8,172,246 B2 *	5/2012	Bybee	.....	B62J 15/02
				280/152.1
D684,908 S *	6/2013	Lee	.....	D12/181
D694,684 S *	12/2013	Lee	.....	D12/184
D694,685 S *	12/2013	Lee	.....	D12/184
D700,120 S *	2/2014	Lee	.....	D12/184
D707,164 S *	6/2014	Lee	.....	D12/184
D763,754 S *	8/2016	Sanders	.....	D12/184
D801,896 S *	11/2017	Ito	.....	D12/181
D818,406 S *	5/2018	McMahan	.....	D12/184
10,059,379 B2 *	8/2018	Mason	.....	B62D 25/182

\* cited by examiner

*Primary Examiner* — Susan Bennett Hattan  
*Assistant Examiner* — Suzanne E Tisdell  
(74) *Attorney, Agent, or Firm* — Knobbe, Martens, Olson & Bear, LLP

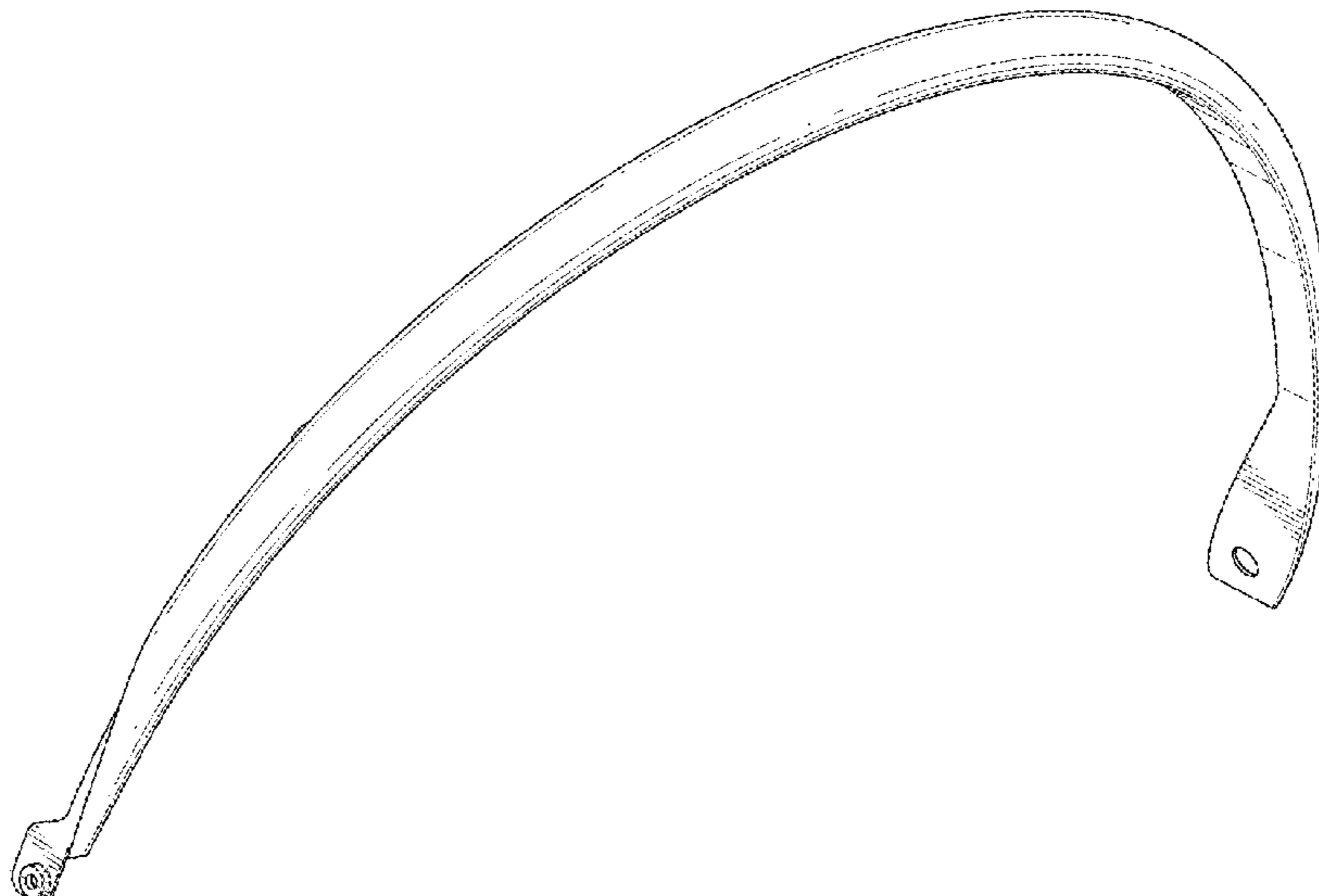
(57) **CLAIM**

The ornamental design for a set of fender flares, as shown and described.

**DESCRIPTION**

FIG. 1 is a perspective view of a set of fender flares installed on a vehicle.  
 FIG. 2 is a first perspective view of a front left flare of the set of fender flares of FIG. 1, the front right flare of the set of fender flares being a mirror image thereof.  
 FIG. 3 is a second perspective view thereof.  
 FIG. 4 is a front view thereof.  
 FIG. 5 is a rear view thereof.  
 FIG. 6 is a top view thereof.  
 FIG. 7 is a bottom view thereof.  
 FIG. 8 is a left side view thereof.  
 FIG. 9 is a right side view thereof.  
 FIG. 10 is a first perspective view of a rear left flare of the set of fender flares of FIG. 1, the rear right flare of the set of fender flares being a mirror image thereof.  
 FIG. 11 is a second perspective view thereof.  
 FIG. 12 is a front view thereof.  
 FIG. 13 is a rear view thereof.  
 FIG. 14 is a top view thereof.  
 FIG. 15 is a bottom view thereof.  
 FIG. 16 is a left side view thereof; and,  
 FIG. 17 is a right side view thereof.  
 The broken lines in the drawings illustrate environment of the set of fender flares, which forms no part of the claimed design.

**1 Claim, 13 Drawing Sheets**



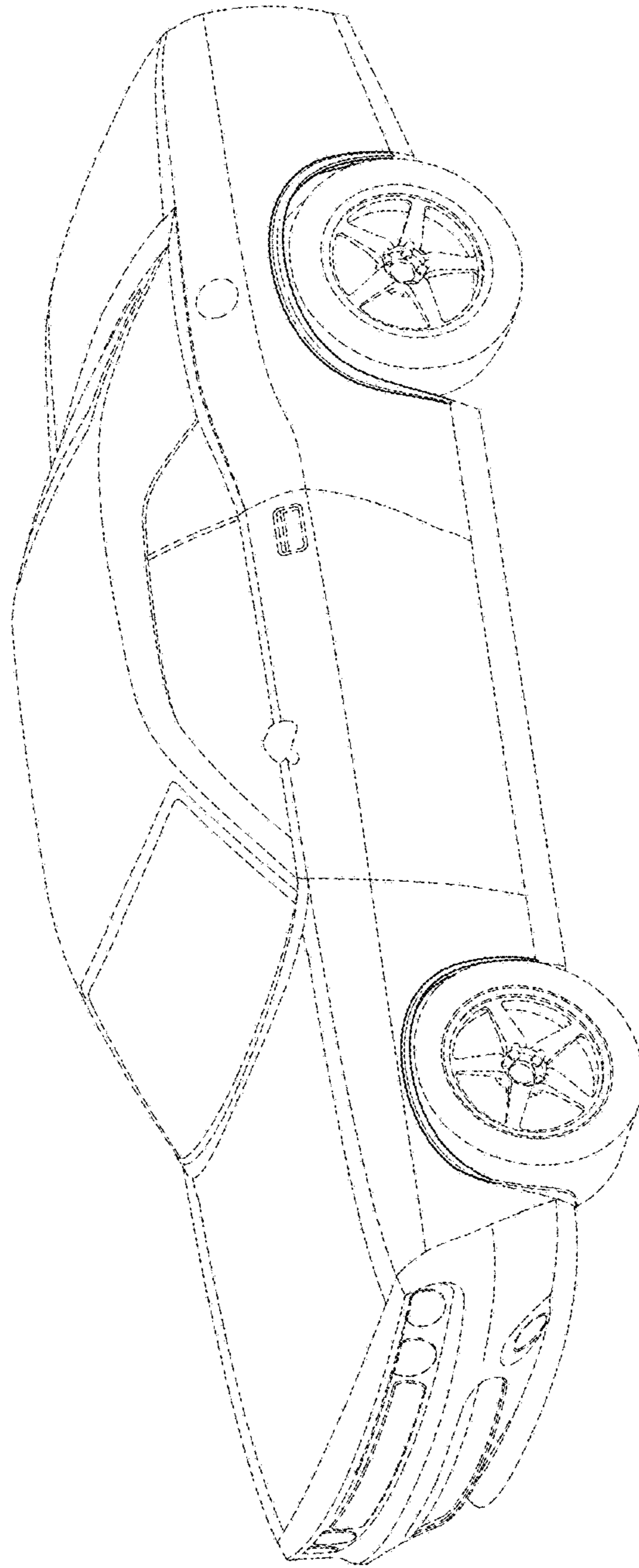


FIG. 1

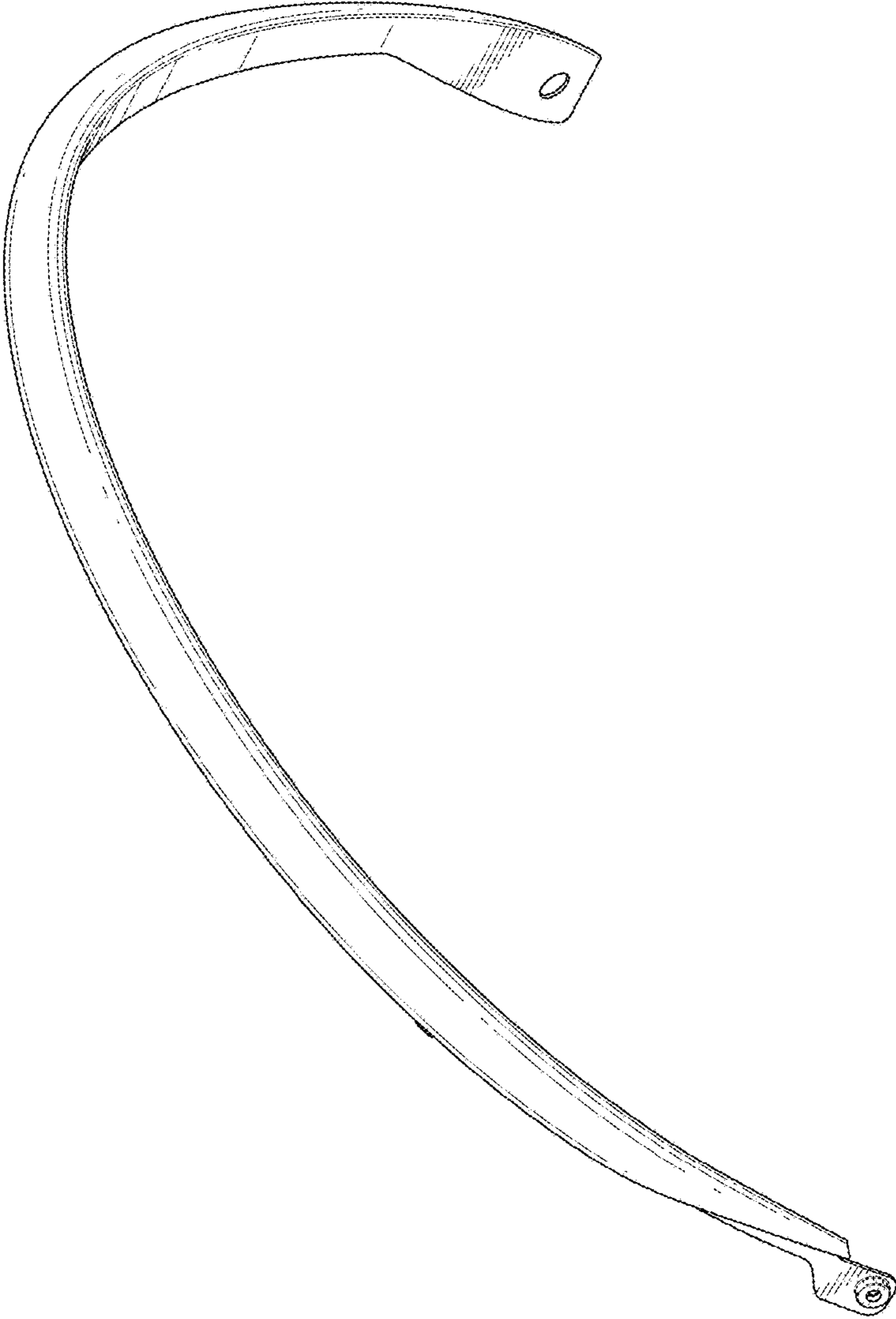


FIG. 2

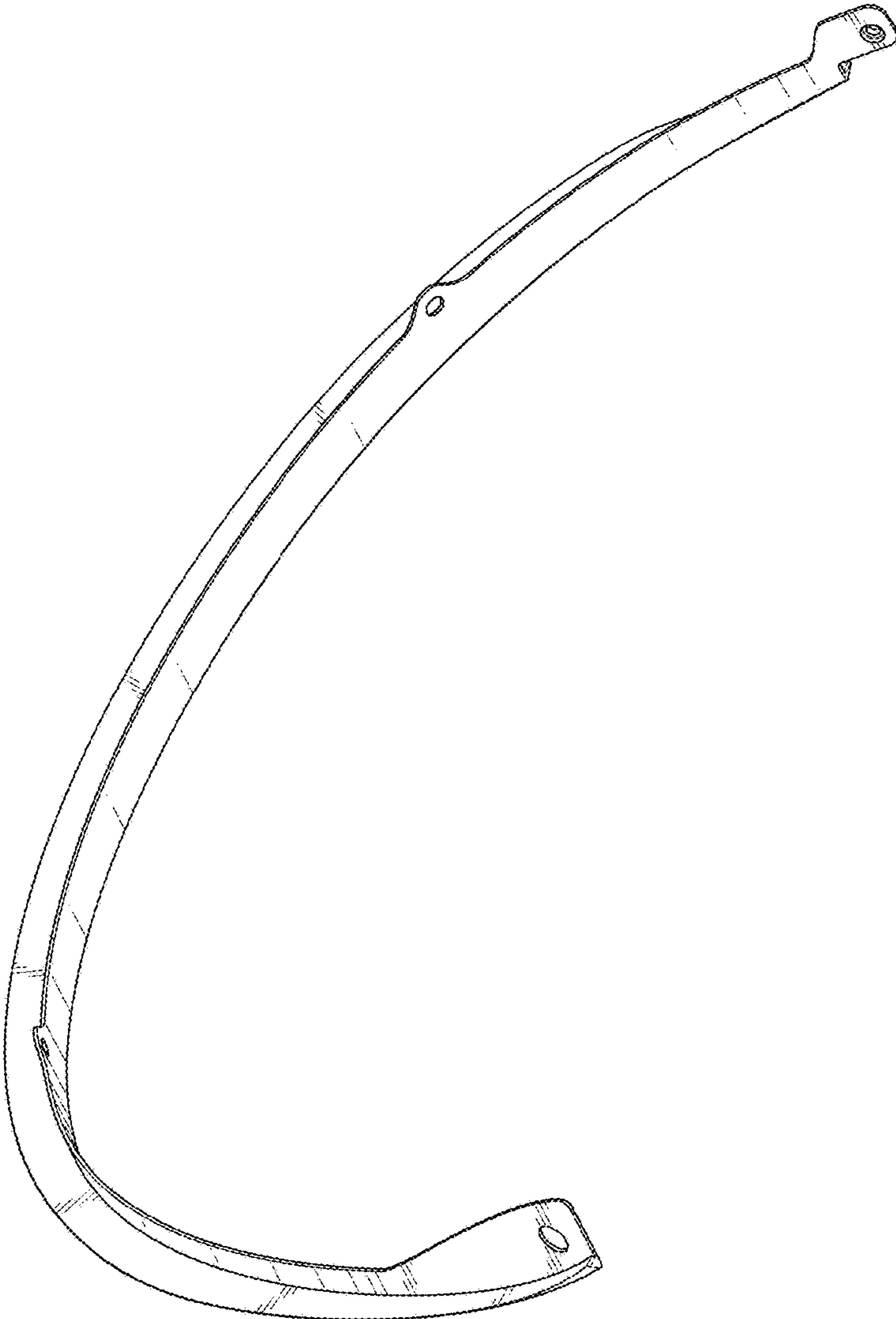


FIG. 3

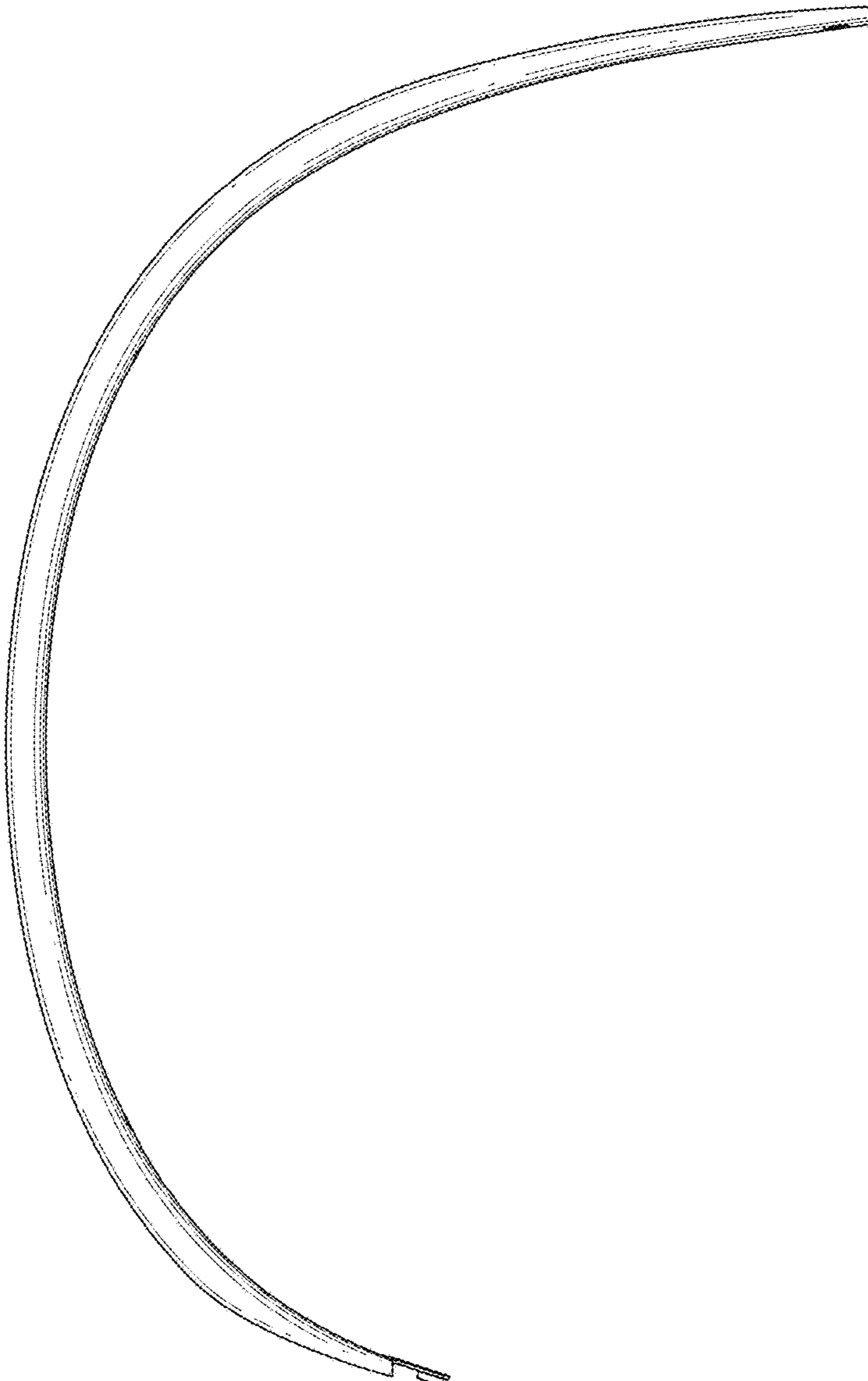


FIG. 4

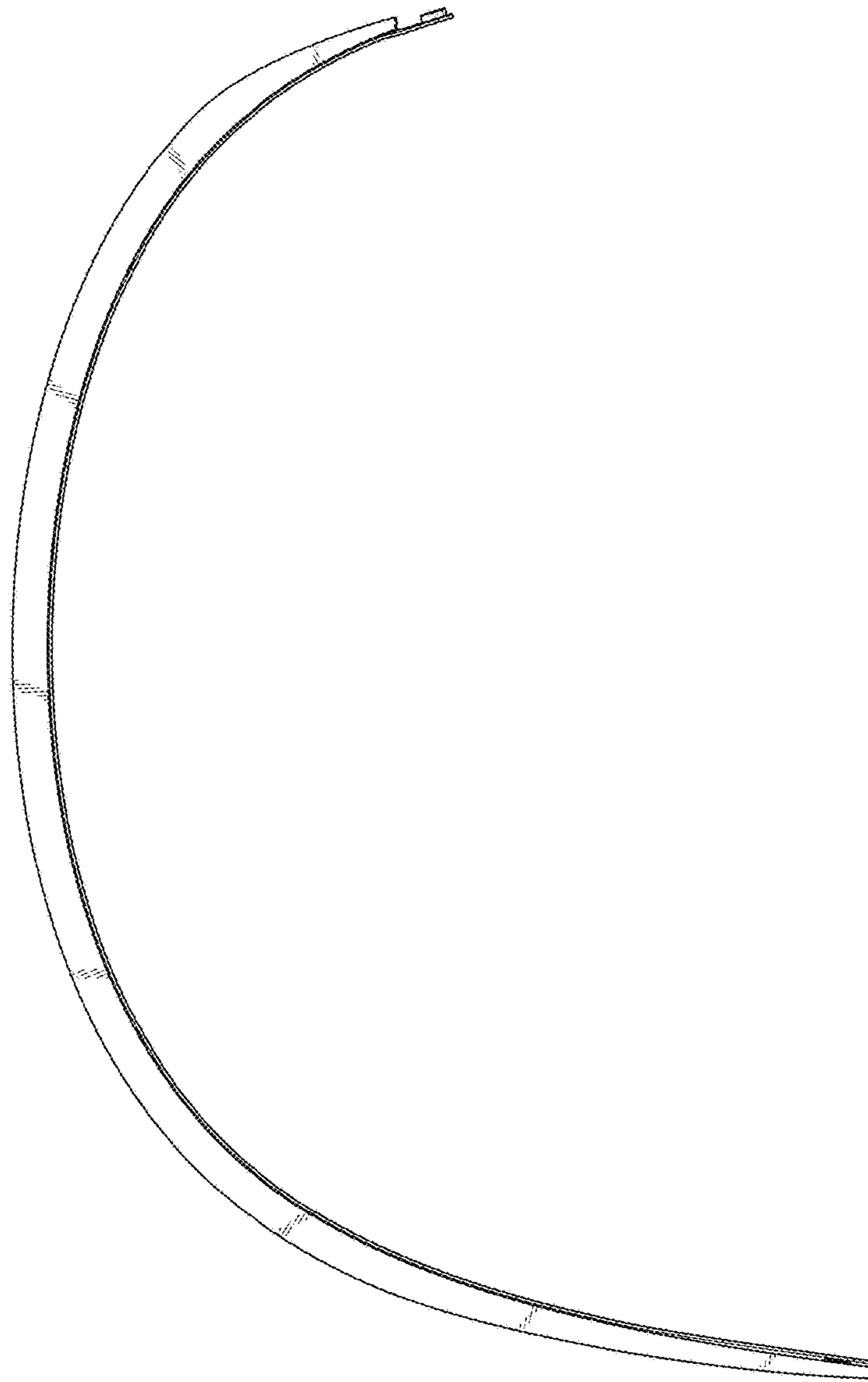


FIG. 5

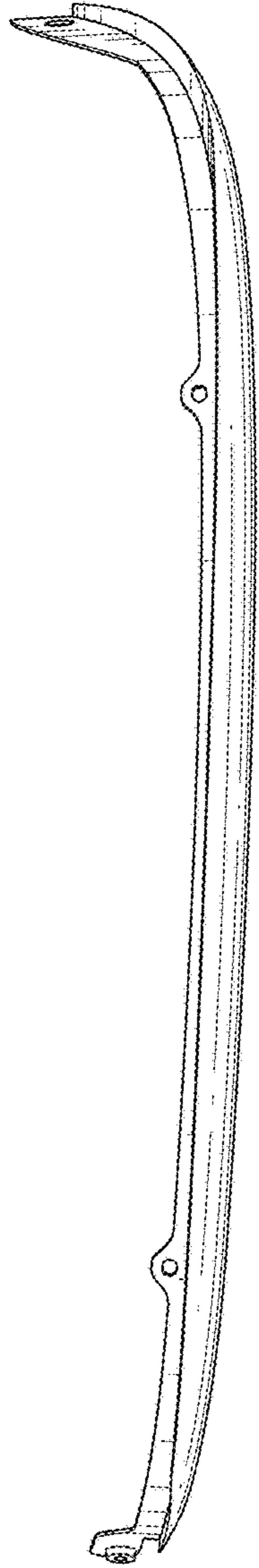


FIG. 6

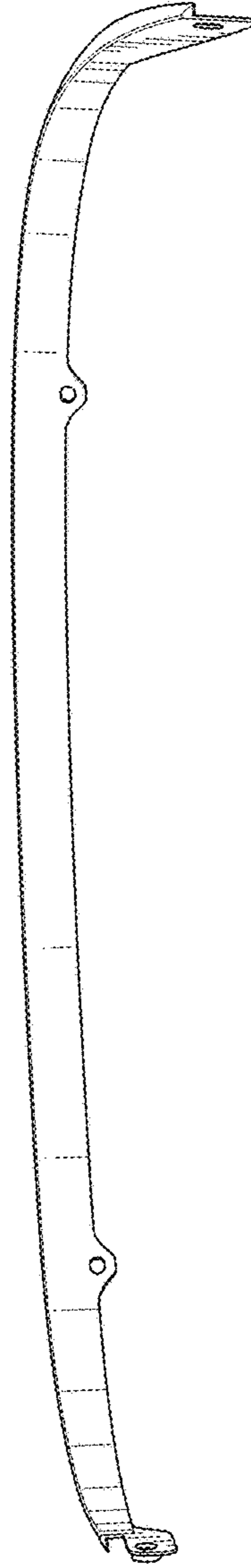


FIG. 7



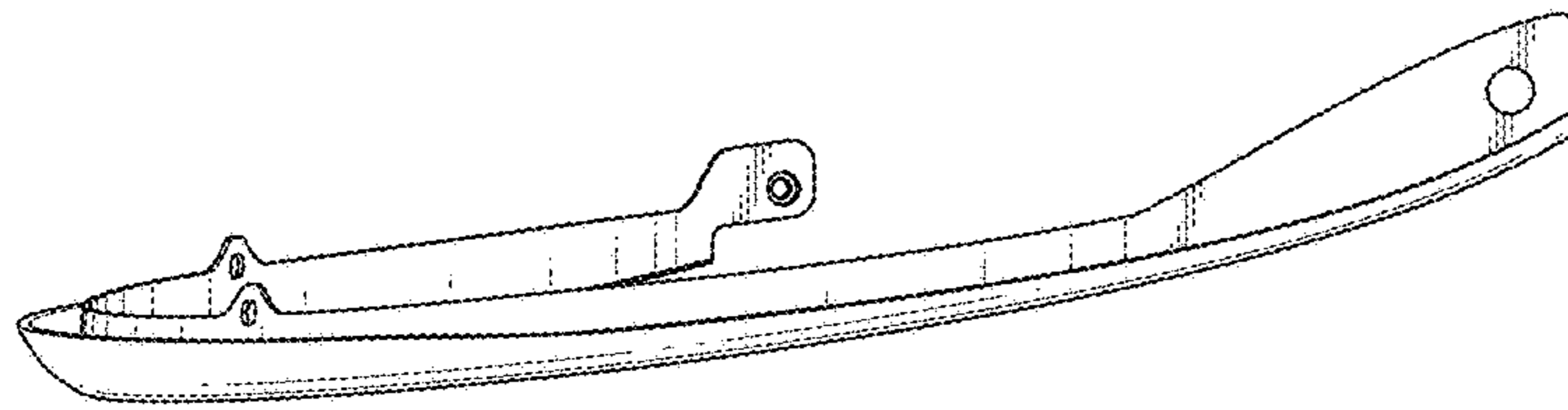


FIG. 9

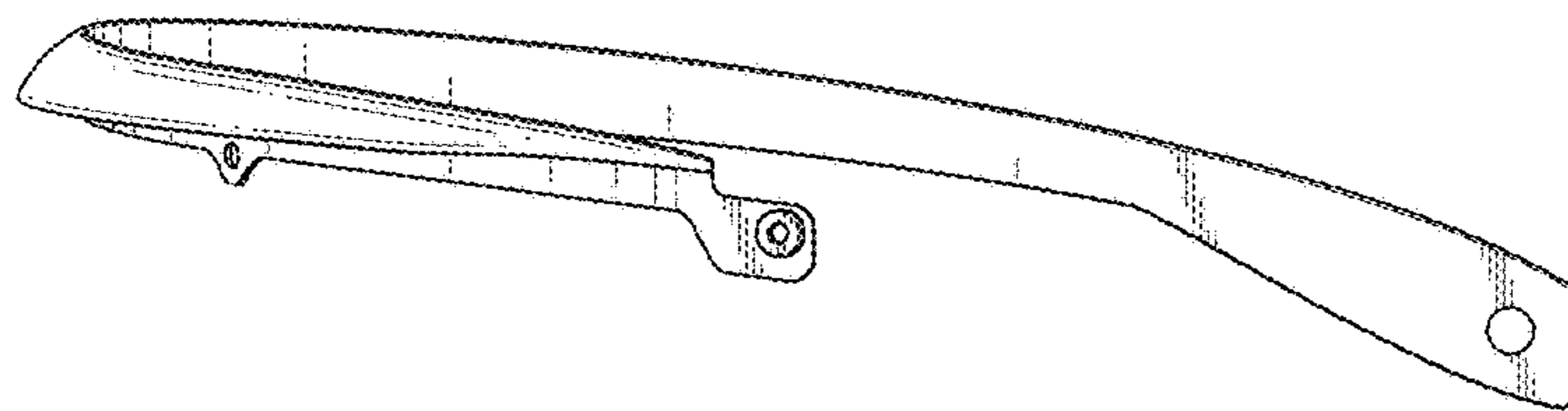


FIG. 8



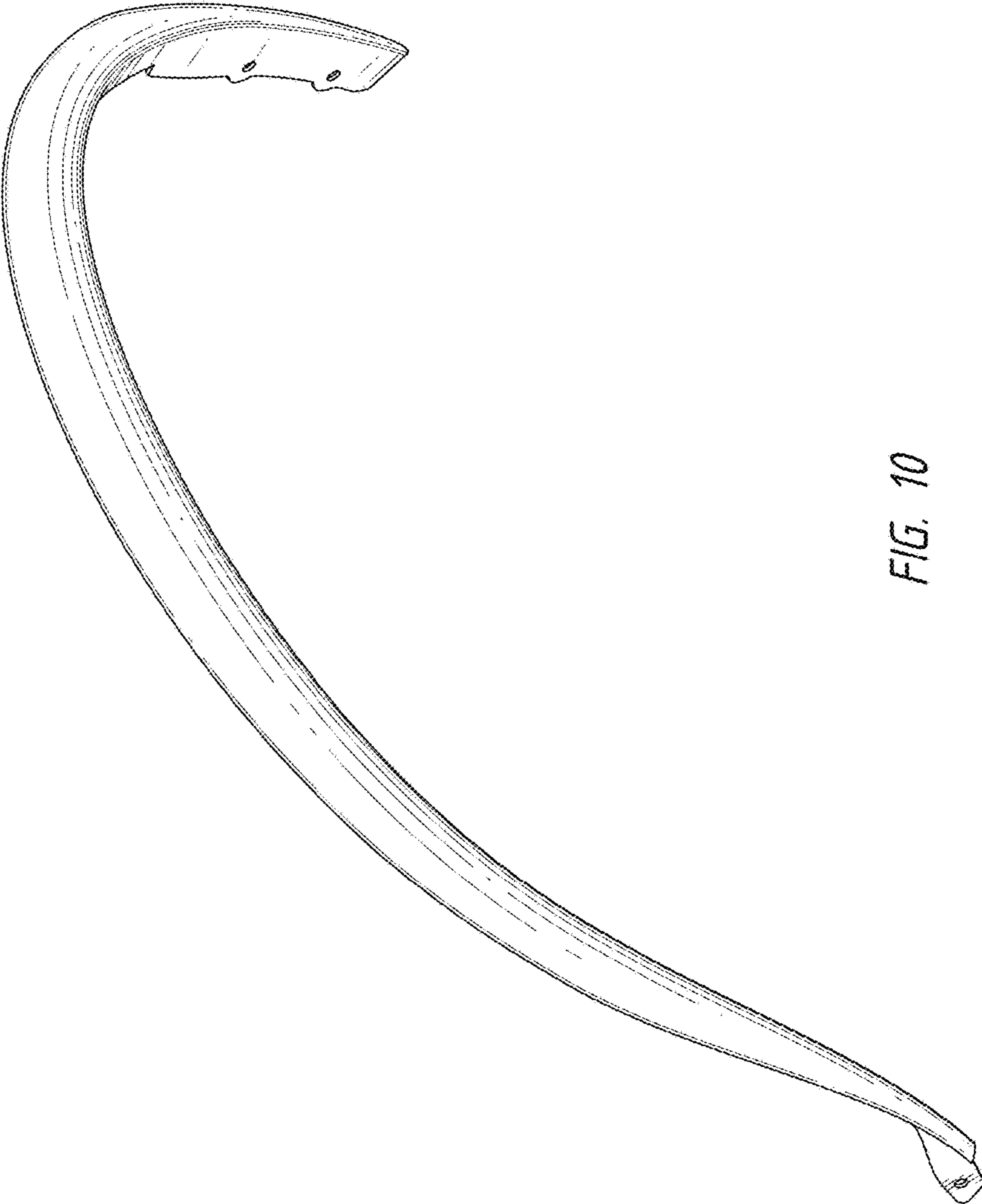


FIG. 10

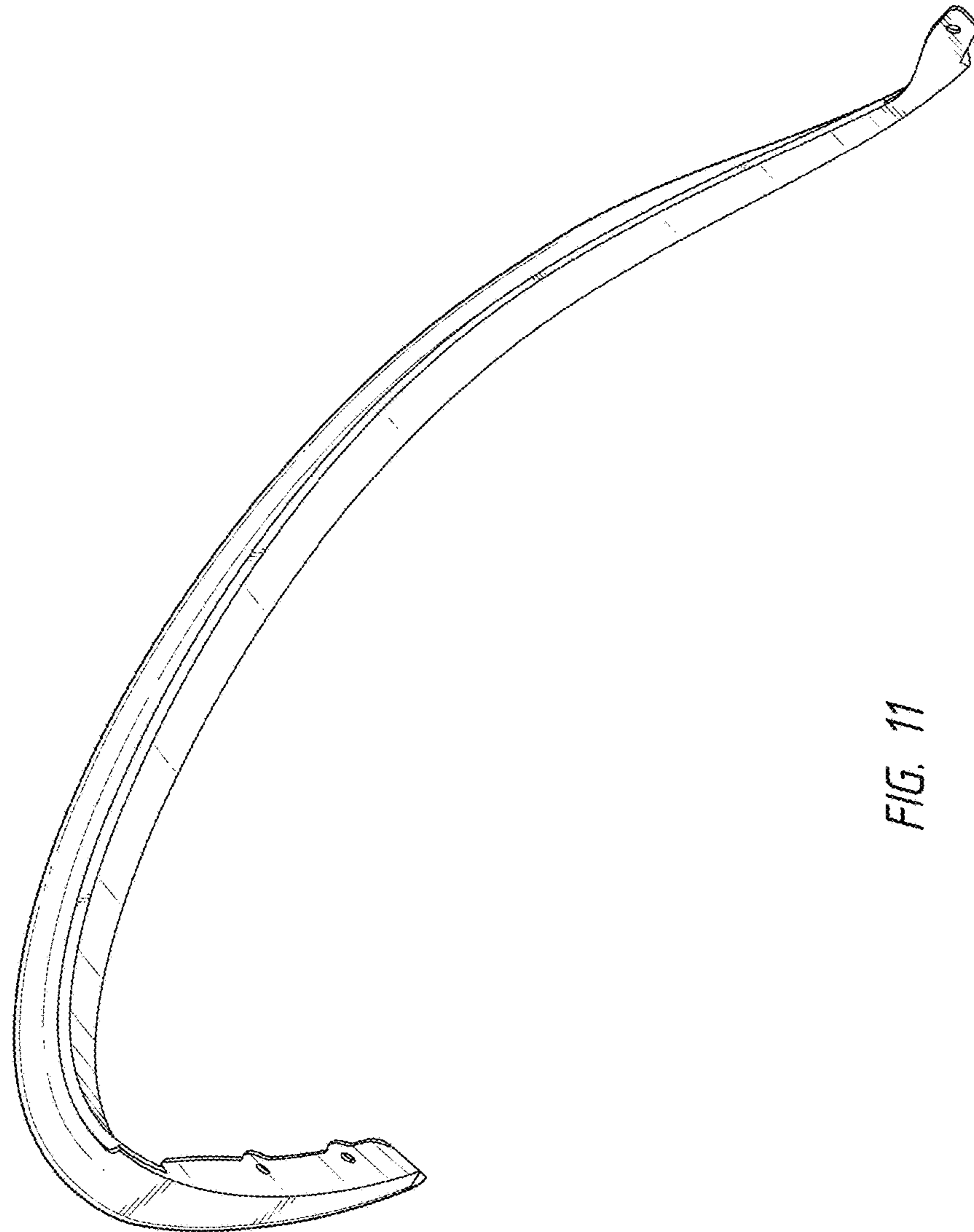


FIG. 11

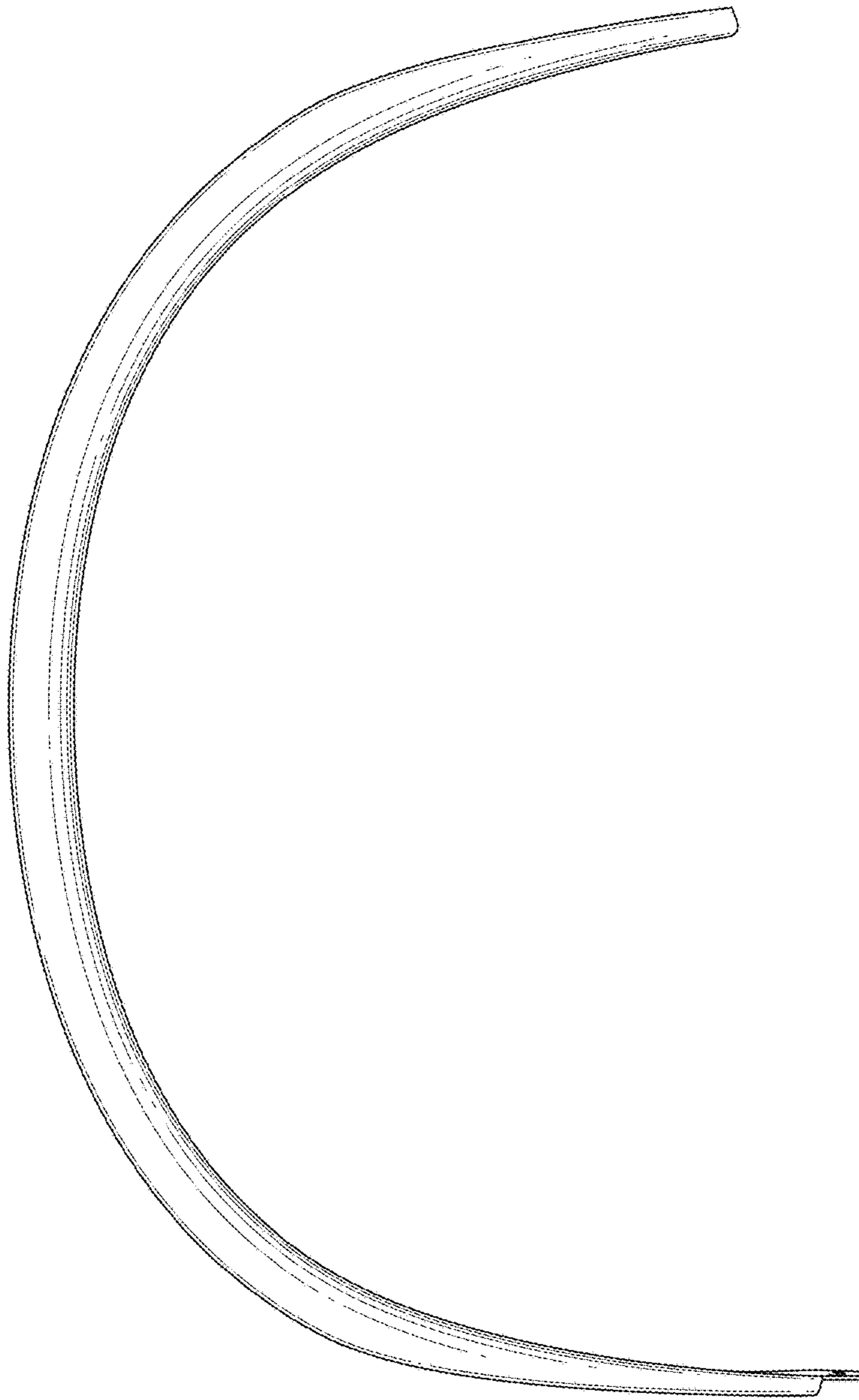


FIG. 12

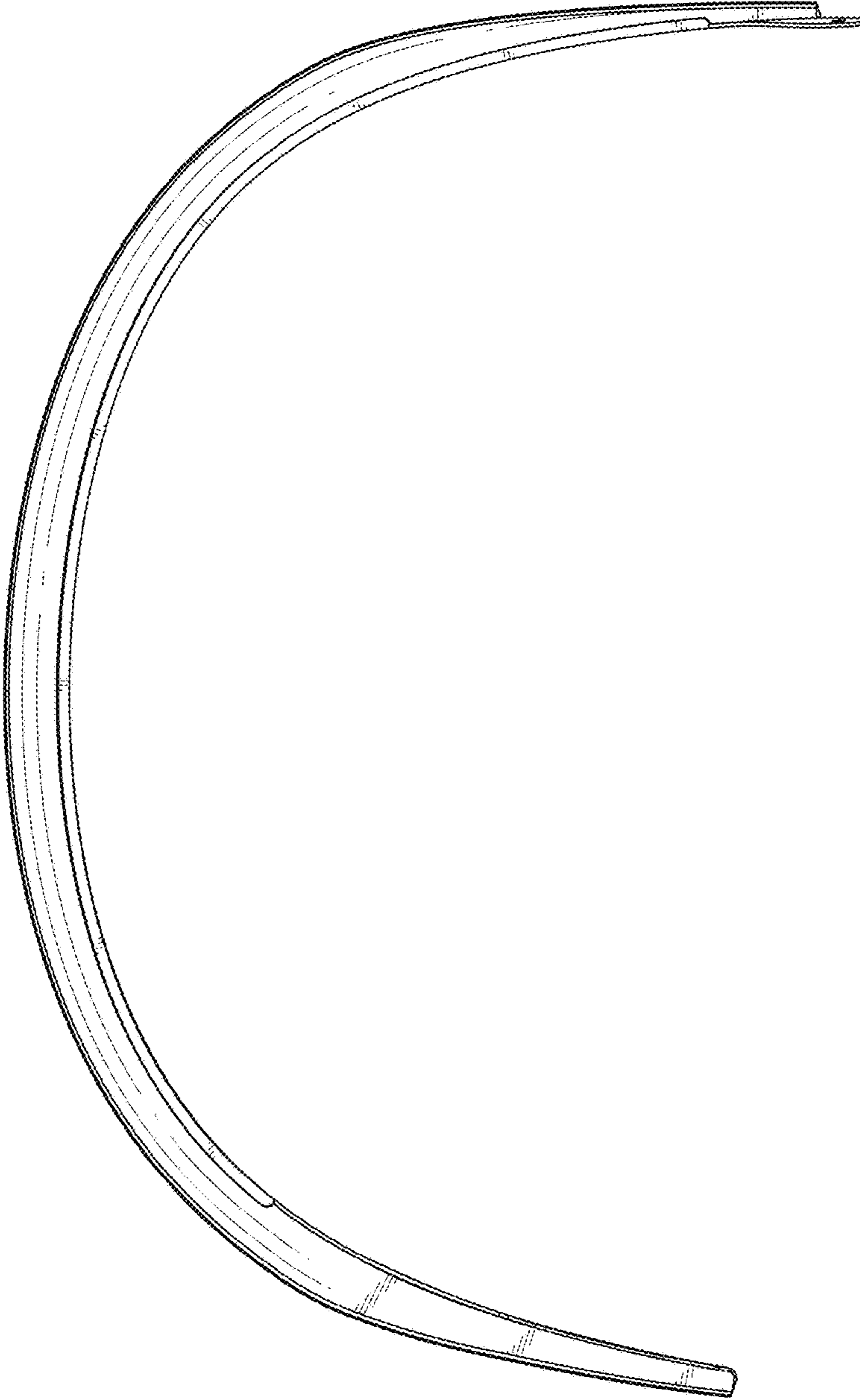


FIG. 13

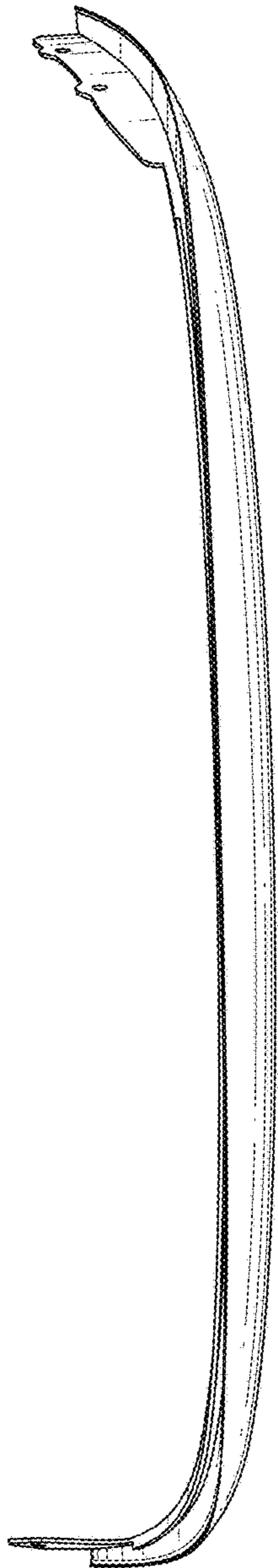


FIG. 14

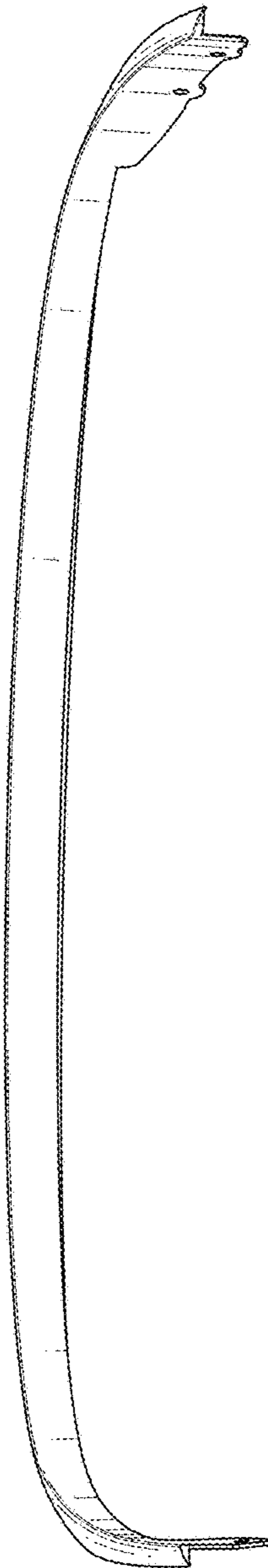


FIG. 15

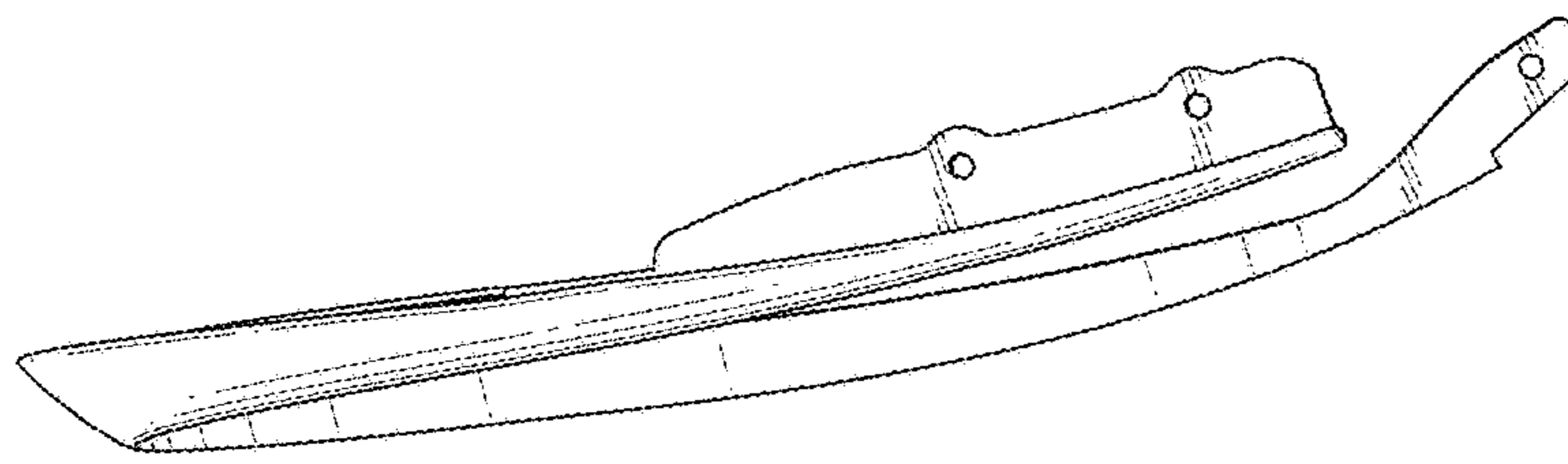


FIG. 17

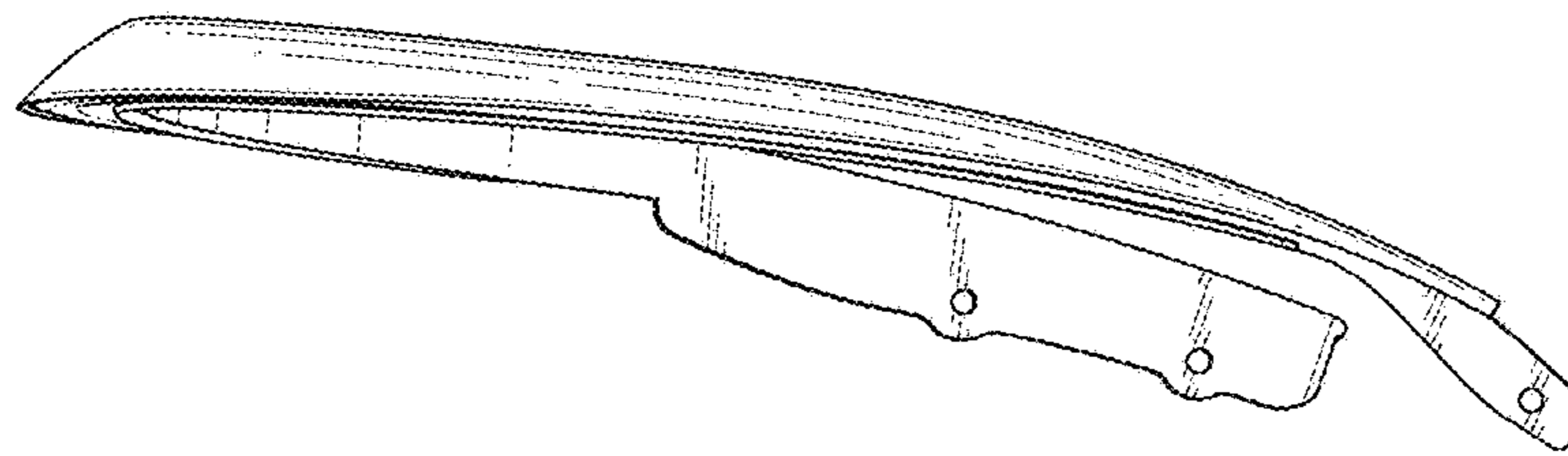


FIG. 16