



US00D858382S

(12) **United States Design Patent**
Rysin

(10) **Patent No.:** **US D858,382 S**

(45) **Date of Patent:** **** Sep. 3, 2019**

(54) **VEHICLE HOOD**

(71) Applicant: **Allan Rysin**, Denver, CO (US)

(72) Inventor: **Allan Rysin**, Denver, CO (US)

(**) Term: **15 Years**

(21) Appl. No.: **29/692,786**

(22) Filed: **May 29, 2019**

(51) **LOC (12) Cl.** **12-16**

(52) **U.S. Cl.**
USPC **D12/173**

(58) **Field of Classification Search**
USPC D12/173, 196, 86, 90-92, 181;
180/69.21, 69.2, 69.22; 296/190.1-190.5,
296/190.8, 193.11, 37.6

CPC B62D 25/10; B62D 25/06; B62D 65/02;
B62D 25/12; B60Q 1/00

See application file for complete search history.

(56) **References Cited**

U.S. PATENT DOCUMENTS

D580,323 S	11/2008	Gueler	
D692,812 S *	11/2013	Harriton	D12/173
D718,682 S *	12/2014	McFarlin et al.	D12/173
D718,683 S	12/2014	Thole	
D765,568 S	9/2016	Frascella	
D778,215 S	2/2017	Kozub	
D786,750 S	5/2017	Lee	
D810,626 S *	2/2018	Macey	D12/91

D811,270 S *	2/2018	Zhang	D12/91
D813,757 S *	3/2018	Kozub	D12/173
D815,574 S *	4/2018	Mainville	D12/173
D818,906 S *	5/2018	McMahan	D12/173
D823,754 S *	7/2018	Dionisopoulos	D12/173
D823,755 S *	7/2018	Rolfs	D12/173
D828,223 S *	9/2018	Piscitelli	D12/91
D840,271 S *	2/2019	Goodrich	D12/91
D850,335 S *	6/2019	Smith	D12/173

* cited by examiner

Primary Examiner — Melody N Brown

(74) *Attorney, Agent, or Firm* — Mitchell Law PLLC;
Matthew W. Mitchell

(57) **CLAIM**

The ornamental design for a vehicle hood, as shown and described.

DESCRIPTION

FIG. 1 is a front perspective view of a vehicle hood showing my new design;

FIG. 2 is a rear perspective view thereof;

FIG. 3 is a front elevational view thereof;

FIG. 4 is a rear elevational view thereof;

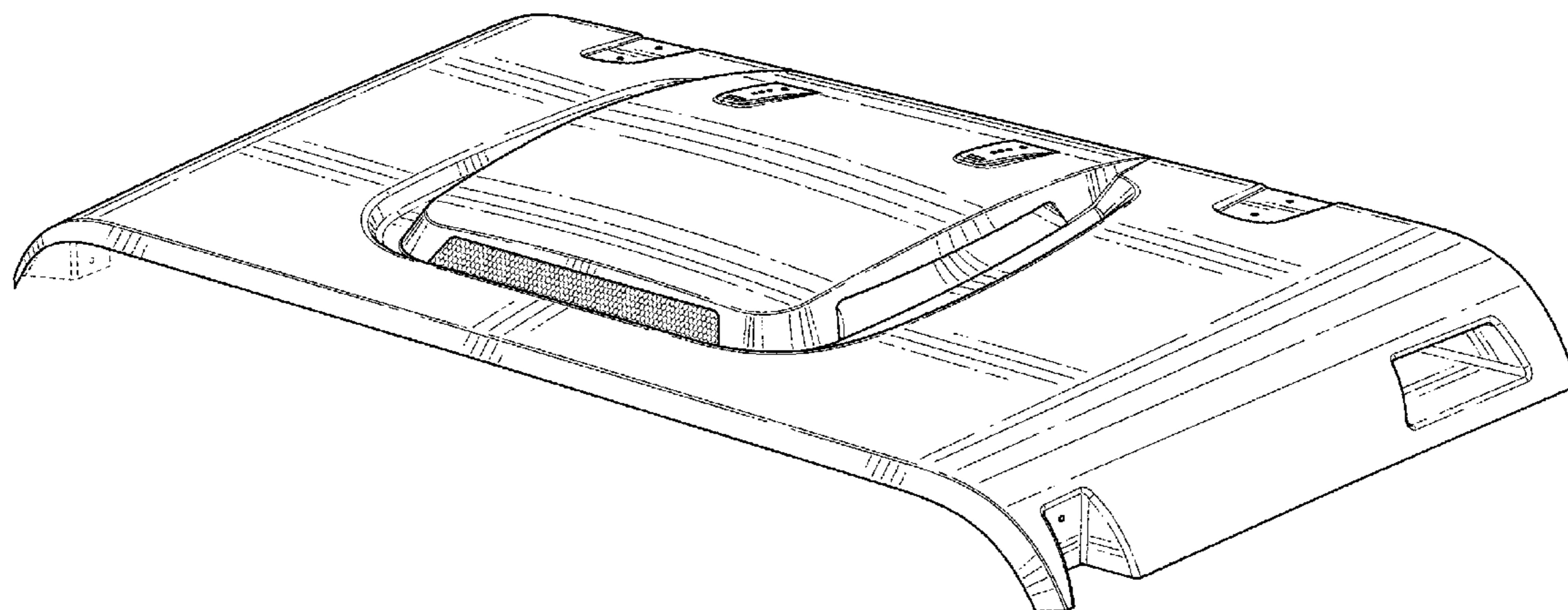
FIG. 5 is a left side elevational view thereof;

FIG. 6 is a right side elevational view thereof; and,

FIG. 7 is a top plan view thereof.

The broken lines showing portions of the underside of the vehicle hood form no part of the claimed design.

1 Claim, 7 Drawing Sheets



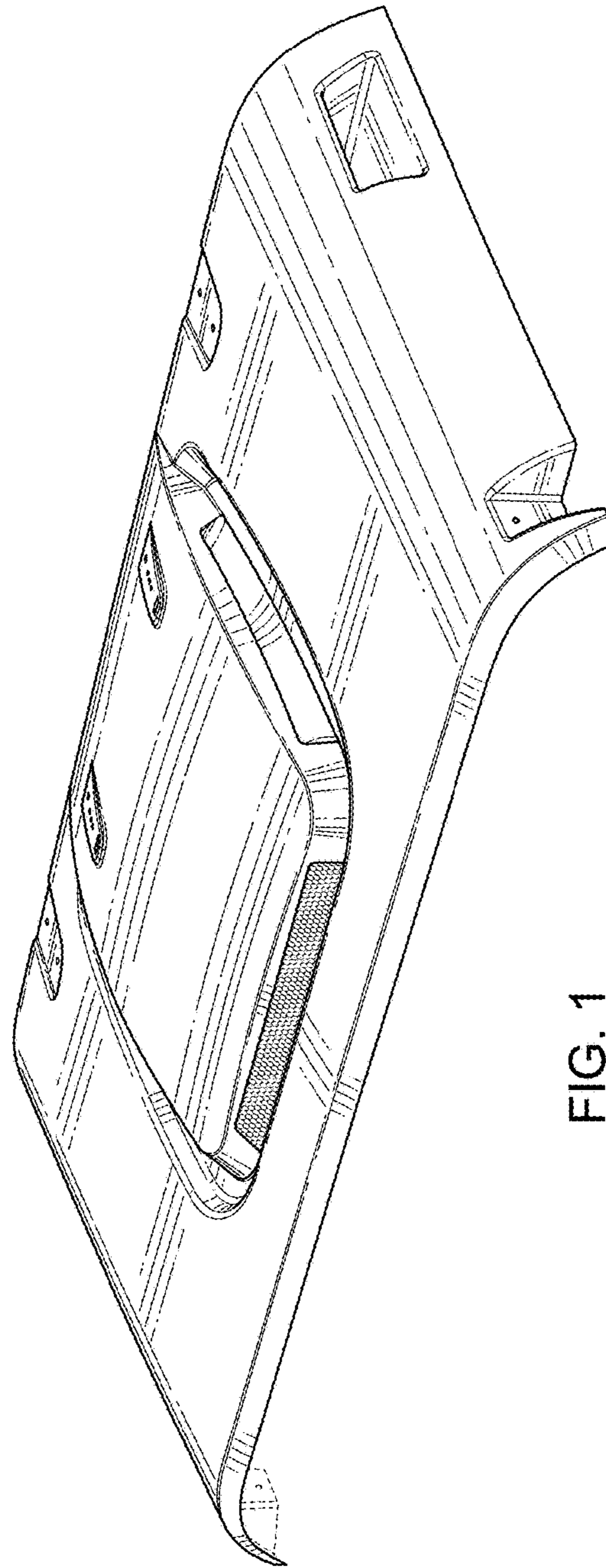


FIG. 1

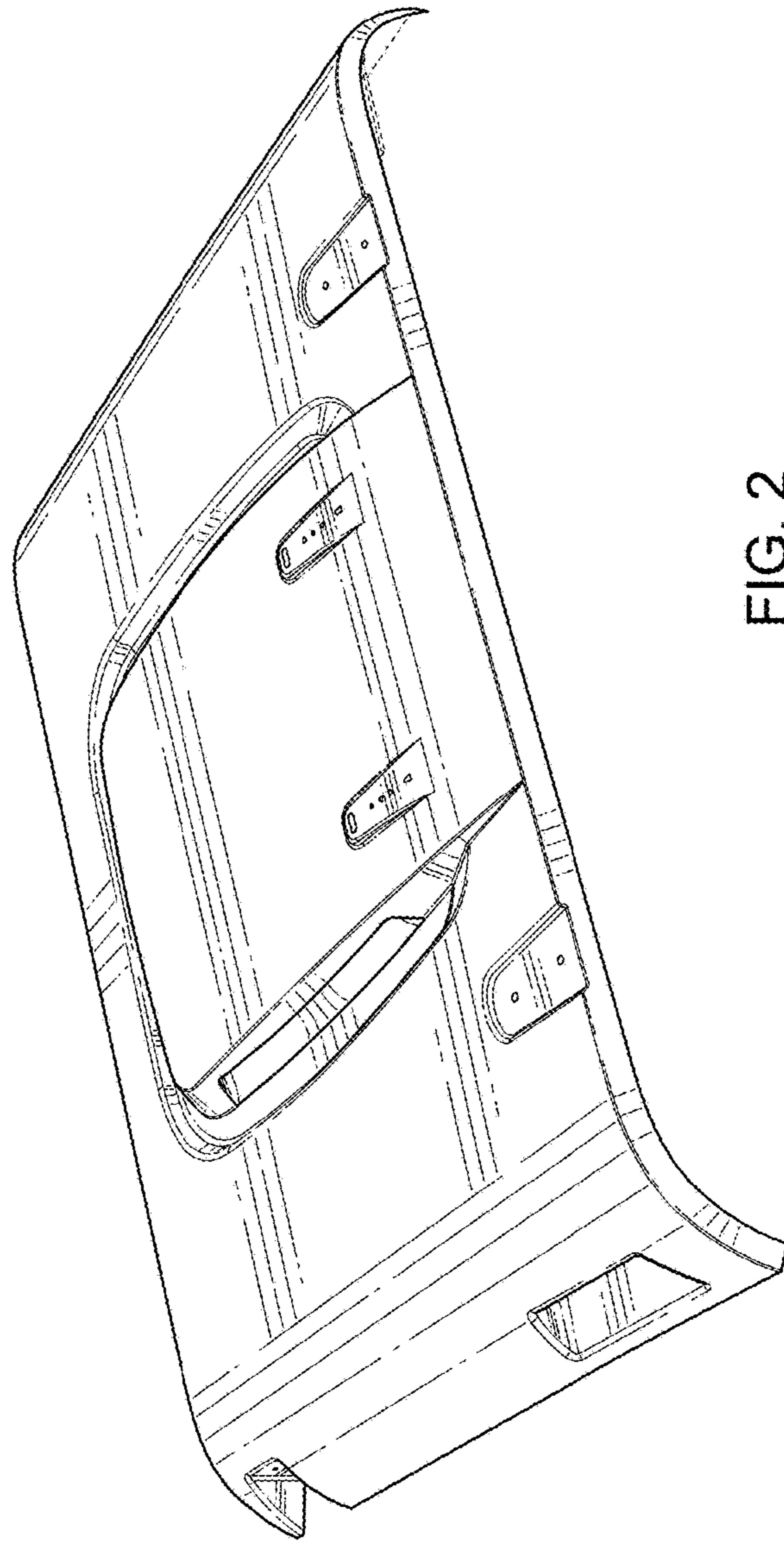


FIG. 2

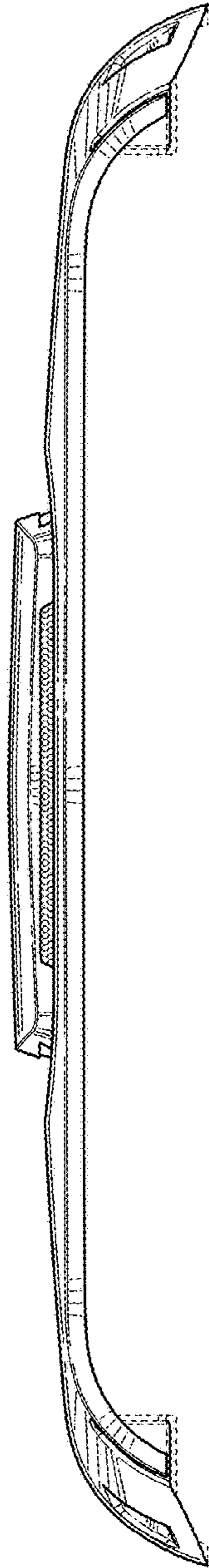


FIG. 3

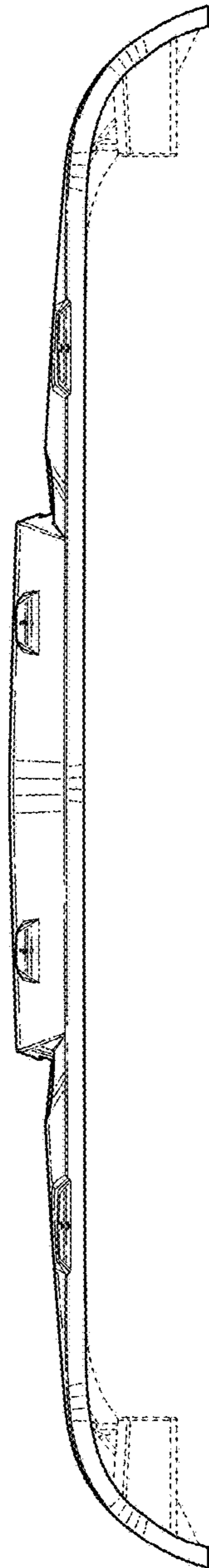


FIG. 4

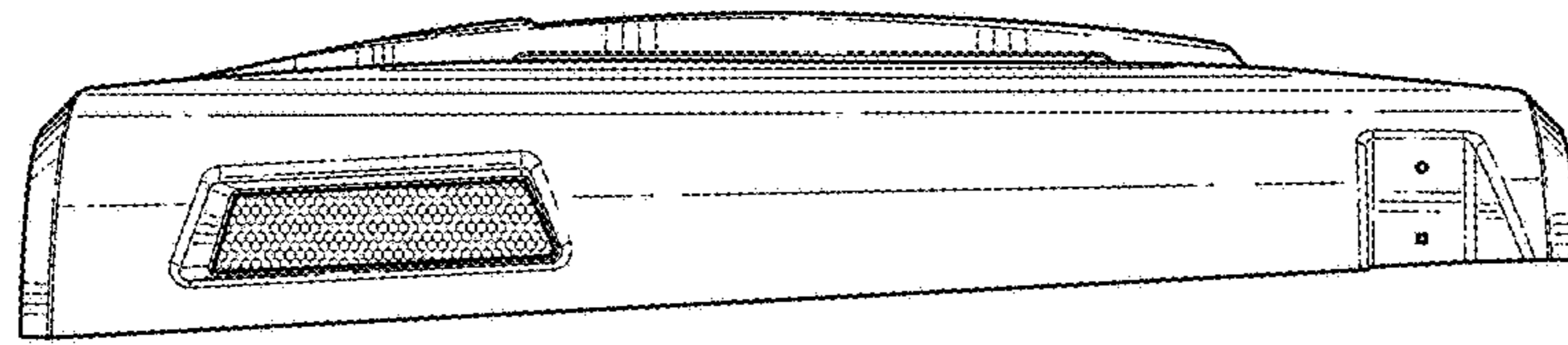


FIG. 5

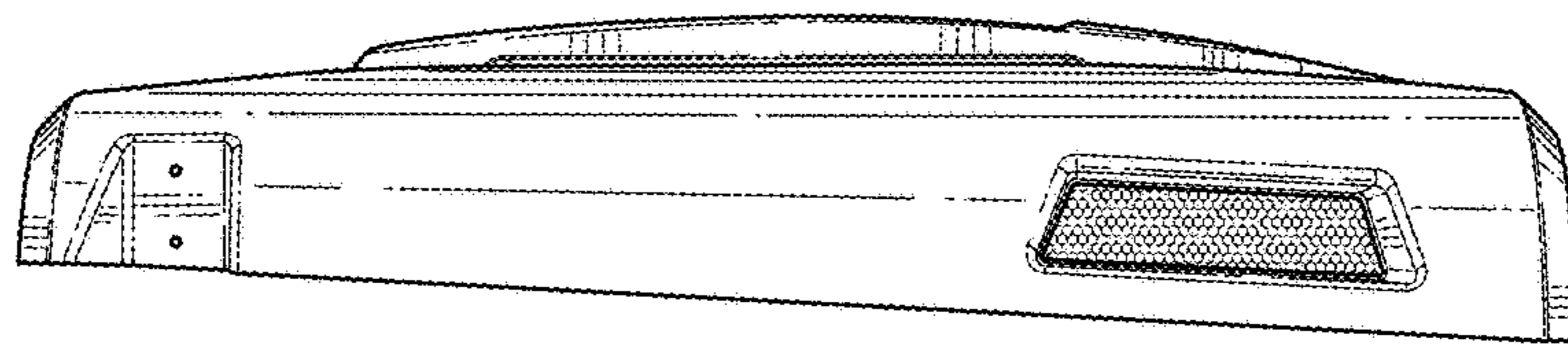


FIG. 6

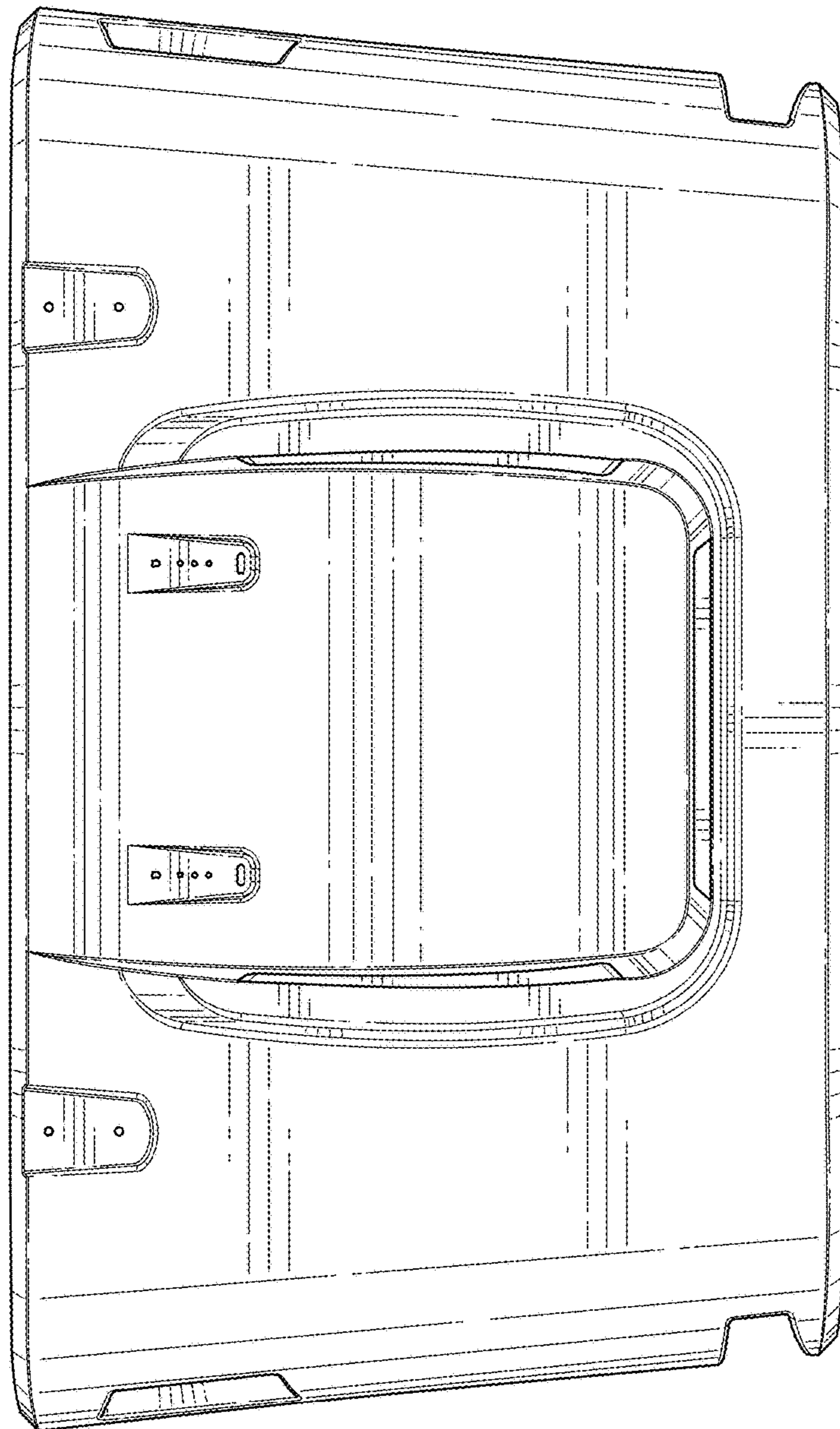


FIG. 7