



US00D858381S

(12) **United States Design Patent** (10) **Patent No.:** **US D858,381 S**
Ahn et al. (45) **Date of Patent:** **** Sep. 3, 2019**

(54) **FENDER SENSOR HOUSING**

(74) *Attorney, Agent, or Firm* — Botos Churchill IP Law

(71) Applicant: **Waymo LLC**, Mountain View, CA (US)

(57) **CLAIM**

The ornamental design for a fender sensor housing, as shown and described.

(72) Inventors: **YooJung Ahn**, Mountain View, CA (US); **Joshua Newby**, San Francisco, CA (US); **Robert Veitch**, San Francisco, CA (US)

DESCRIPTION

The present application is related to copending application Ser. No. 29/602,101, entitled Roof Sensor Housing, to application Ser. No. 29/602,110, entitled Rear Sensor Housing, and to application Ser. No. 29/602,112, entitled Front and Rear Sensor Housings, each of which is filed concurrently herewith, the entire disclosures of which are incorporated by reference herein.

(73) Assignee: **Waymo LLC**, Mountain View, CA (US)

FIG. 1 is a front perspective view of a fender sensor housing according to our design;

(**) Term: **15 Years**

FIG. 2 is a front elevation view thereof;

(21) Appl. No.: **29/602,117**

FIG. 3 is a back elevation view thereof;

(22) Filed: **Apr. 28, 2017**

FIG. 4 is a right side elevation view thereof;

(51) **LOC (12) Cl.** **12-16**

FIG. 5 is a left side elevation view thereof;

(52) **U.S. Cl.**

FIG. 6 is a top plan view thereof;

USPC **D12/173**

FIG. 7 is a bottom plan view thereof;

(58) **Field of Classification Search**

FIG. 8 is a front perspective view of a pair of fender sensor housings positioned on a first exemplary vehicle; and, FIG. 9 is a front perspective view of a pair of fender sensor housings positioned on a second exemplary vehicle.

USPC D10/70, 106.8; D15/28; D16/202; D12/172, 173, 187, 188

CPC G06M 7/00; G08B 23/00

See application file for complete search history.

The broken lines shown in FIGS. 1-7 illustrate portions of the fender sensor housing that form no part of the claimed design. The broken lines shown in FIGS. 8-9 illustrate portions of the fender sensor housing and the exemplary vehicles that form no part of the claimed design.

(56) **References Cited**

U.S. PATENT DOCUMENTS

D328,436 S	8/1992	Fuerst et al.	
D335,467 S *	5/1993	Cheng	D10/106.7
D395,408 S *	6/1998	Wiesemann	D10/106.8
D413,277 S *	8/1999	Scheibe	D10/106.7
5,945,907 A	8/1999	Yaron et al.	
D427,101 S *	6/2000	Leen	D10/106.7

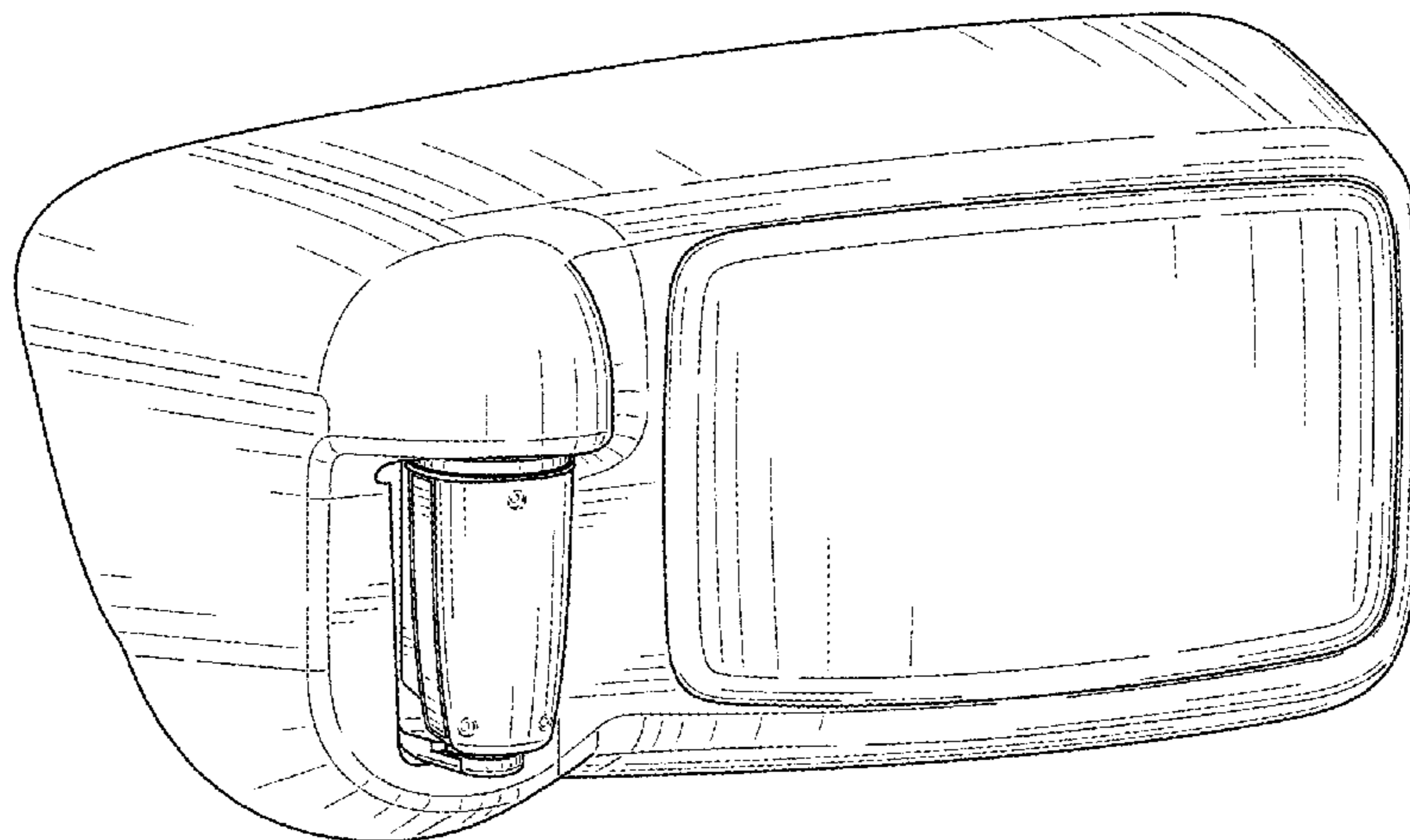
(Continued)

FIGS. 1-7 illustrate the fender sensor housing for use on a first side of a vehicle in a first embodiment. A second embodiment of the fender sensor housing is a mirror image of the first embodiment shown in FIGS. 1-7. The second embodiment is arranged for use on a second, opposite side of the vehicle. These mirror image arrangements are presented in the exemplary perspective views of FIGS. 8 and 9. The specific placement of the fender sensor housing in FIGS. 8-9 on the exemplary vehicles is for illustrative purposes only.

Primary Examiner — Susan Bennett Hattan

Assistant Examiner — Suzanne E Tisdell

1 Claim, 6 Drawing Sheets



(56)

References Cited

U.S. PATENT DOCUMENTS

D434,992 S *	12/2000	Hiller	D10/106.7	D788,607 S *	6/2017	Ji	D10/70
D445,386 S *	7/2001	Sacco	D12/187	D788,625 S *	6/2017	Hsieh	D10/106.6
D478,518 S	8/2003	Porter			D789,427 S *	6/2017	Jackson	D15/28
D525,888 S	8/2006	Porter			D791,994 S *	7/2017	Liu	D10/106.8
7,109,880 B2 *	9/2006	Sibalich	F21S 8/02	D795,108 S *	8/2017	Kondo	D10/106.6
				340/693.5	9,725,060 B1	8/2017	Daniel et al.		
D547,222 S *	7/2007	Wilson	D10/106.7	9,862,311 B2	1/2018	Kiriyama et al.		
7,459,672 B2 *	12/2008	Jensen	G08B 13/193	D818,915 S *	5/2018	Kozub	D12/187
				250/221	D821,232 S *	6/2018	Ewringmann	D10/70
7,517,099 B2	4/2009	Hannah			D822,580 S	7/2018	Eriksson et al.		
D651,532 S *	1/2012	Li	D10/70	D825,357 S *	8/2018	Ahn	D10/70
D689,385 S *	9/2013	Haws	D10/106.8	D828,257 S *	9/2018	Akrapovic	D12/187
D717,720 S	11/2014	Marino			2016/0011594 A1	1/2016	Chung et al.		
D726,560 S *	4/2015	Gaw	D10/70	2017/0151933 A1	6/2017	Doorley et al.		
D727,181 S *	4/2015	Papadourakis	D10/65	2017/0293016 A1	10/2017	McCloskey et al.		
D731,905 S *	6/2015	Olivieri	D10/65	2017/0300060 A1	10/2017	Crawley		
D739,336 S	9/2015	Berrey			2017/0343654 A1	11/2017	Valois et al.		
D775,978 S *	1/2017	Christianson	D10/106.8	2018/0011173 A1	1/2018	Newman		
D782,349 S *	3/2017	Konotopskyi	D10/106.6	2018/0015886 A1	1/2018	Frank et al.		
					2018/0017680 A1	1/2018	Pennecot et al.		
					2018/0037268 A1	2/2018	Moore et al.		
					2018/0086280 A1	3/2018	Nguyen		

* cited by examiner

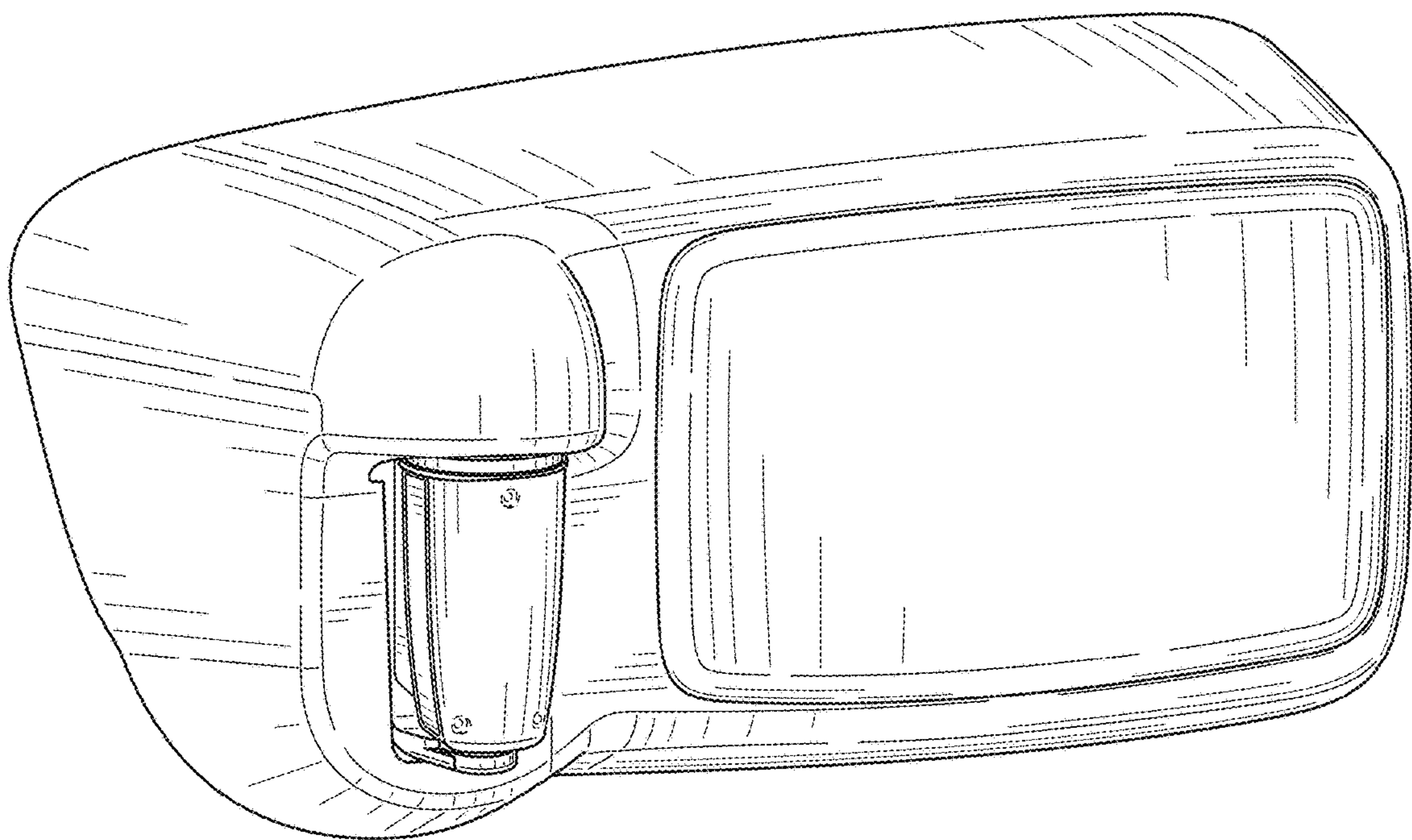


FIG. 1

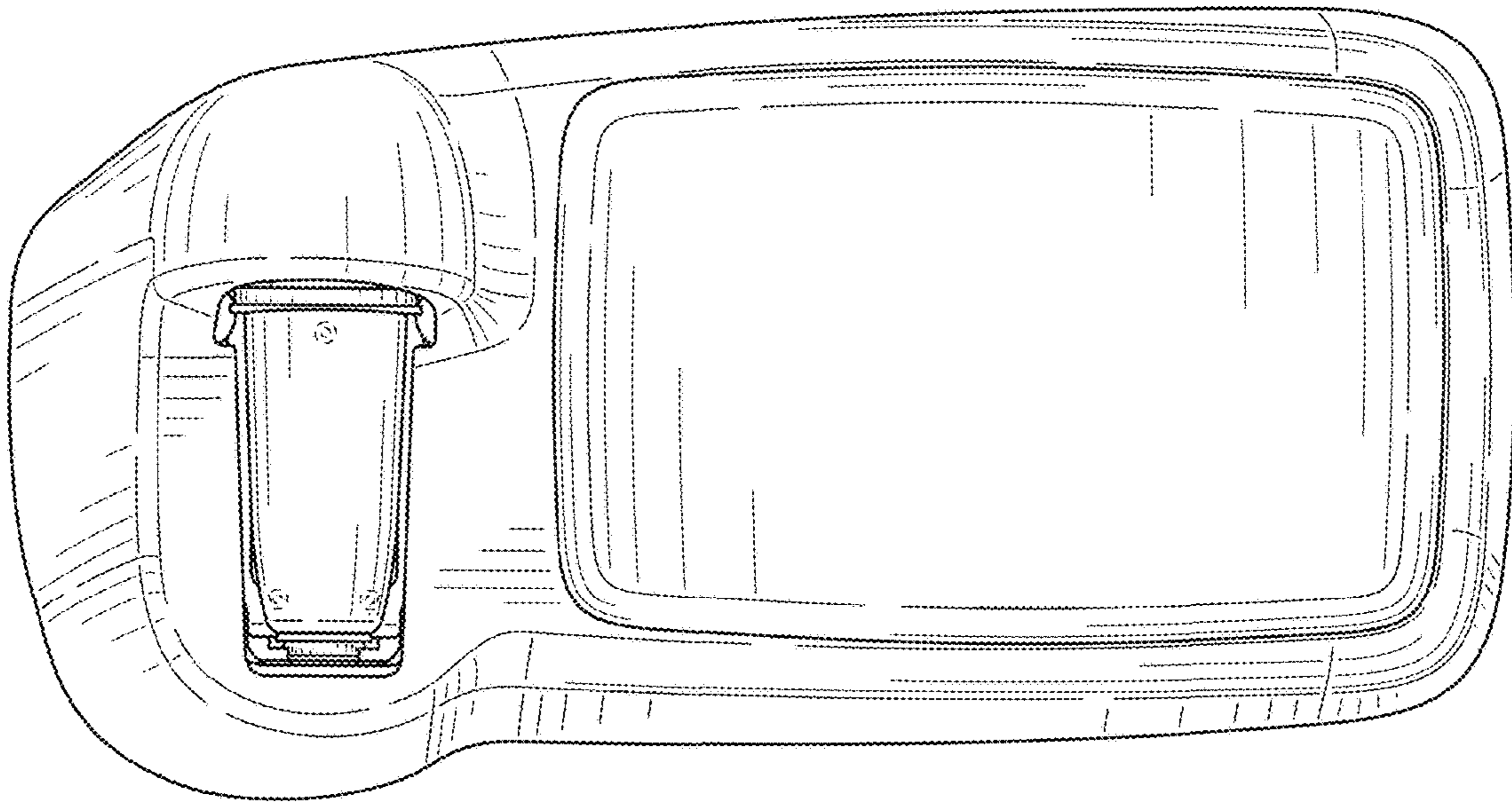


FIG. 2

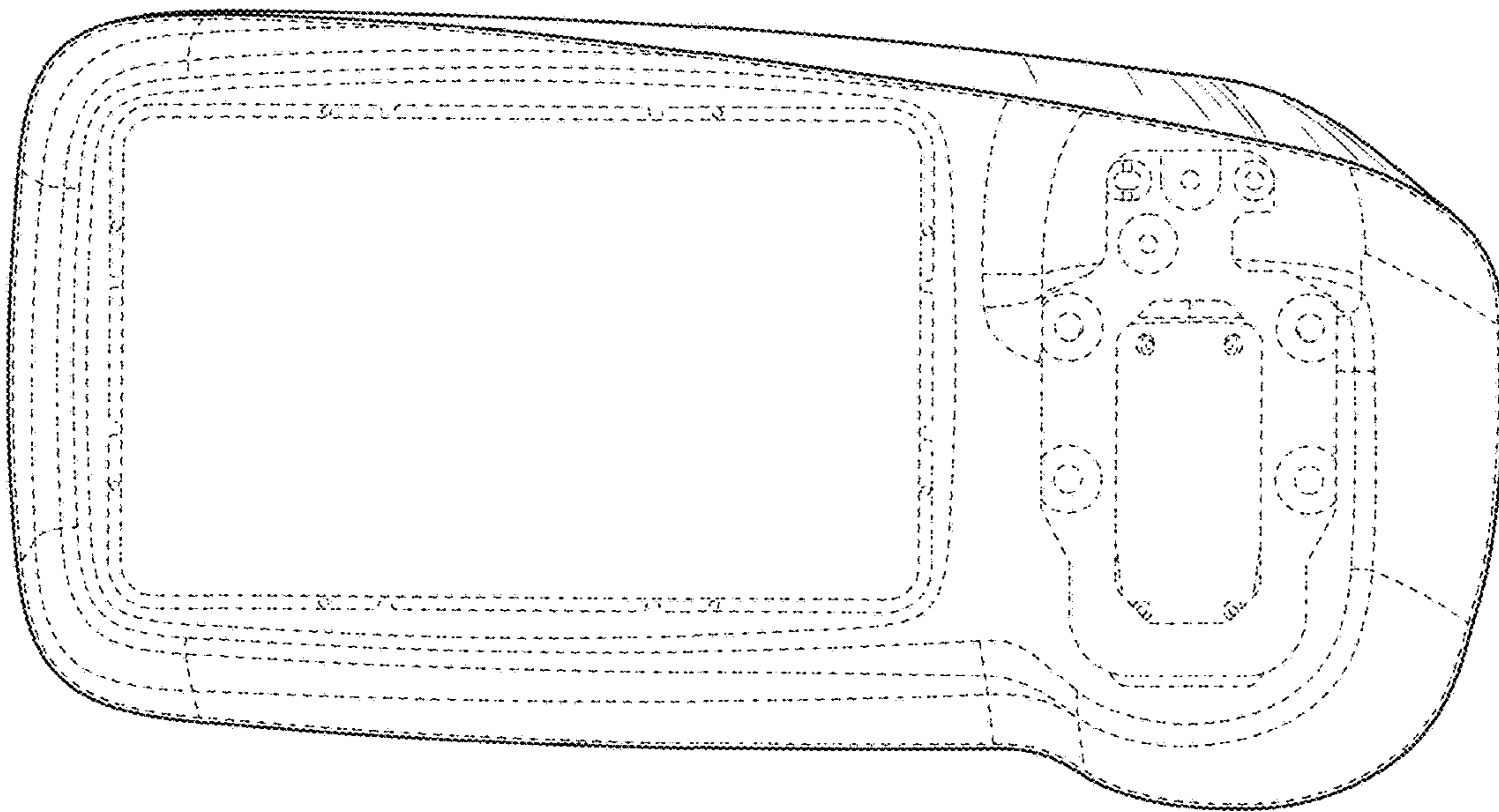


FIG. 3

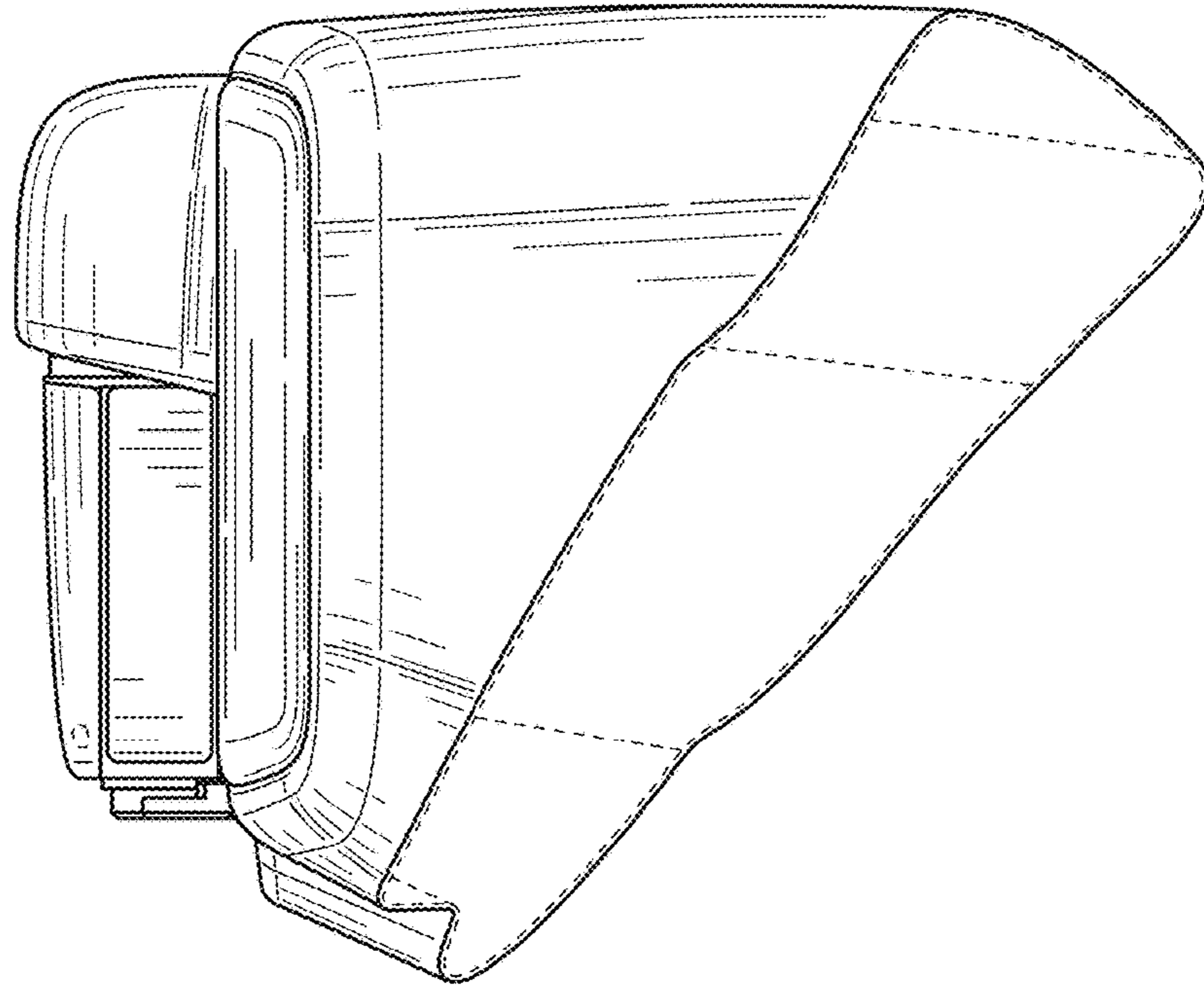


FIG. 4

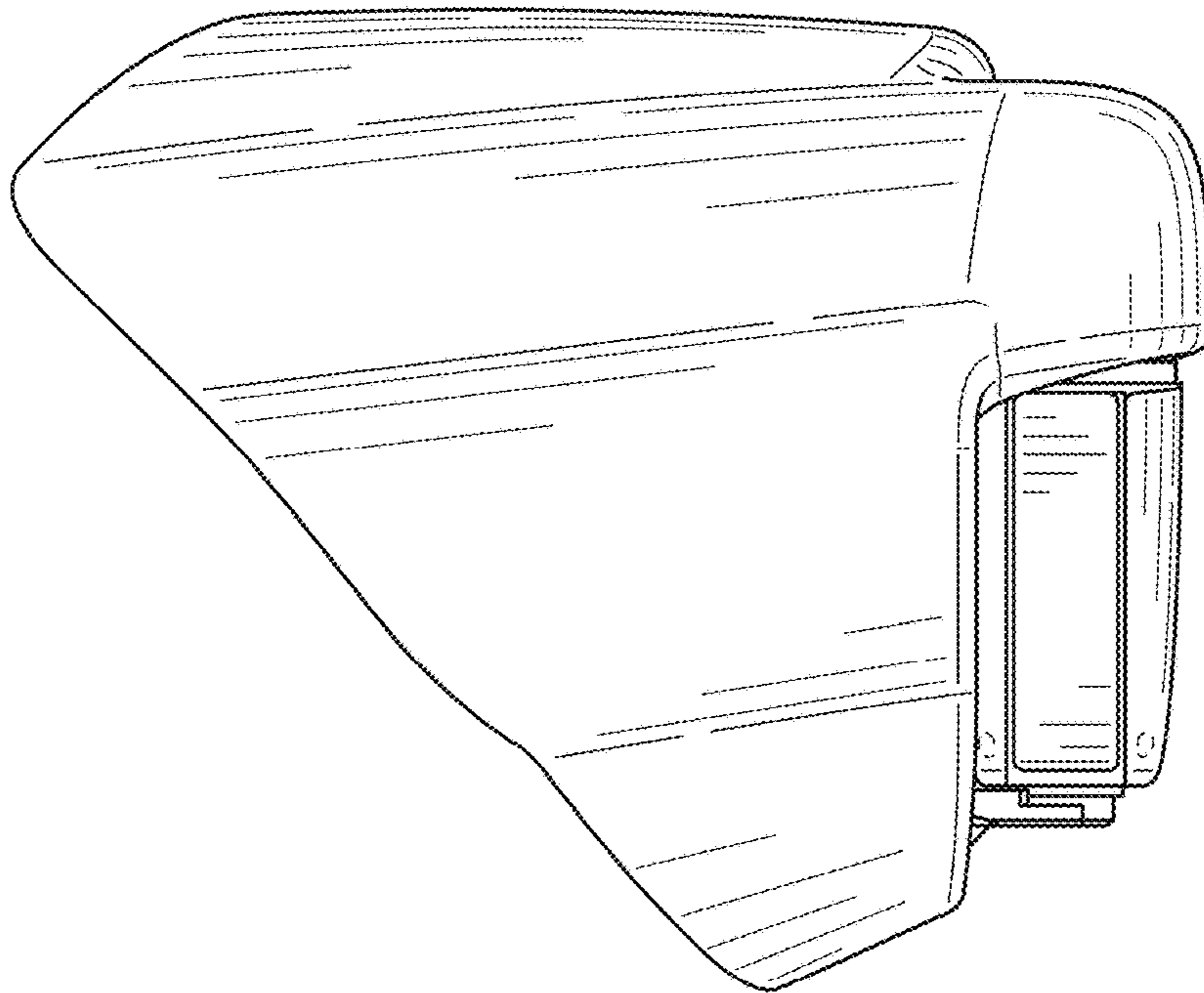


FIG. 5

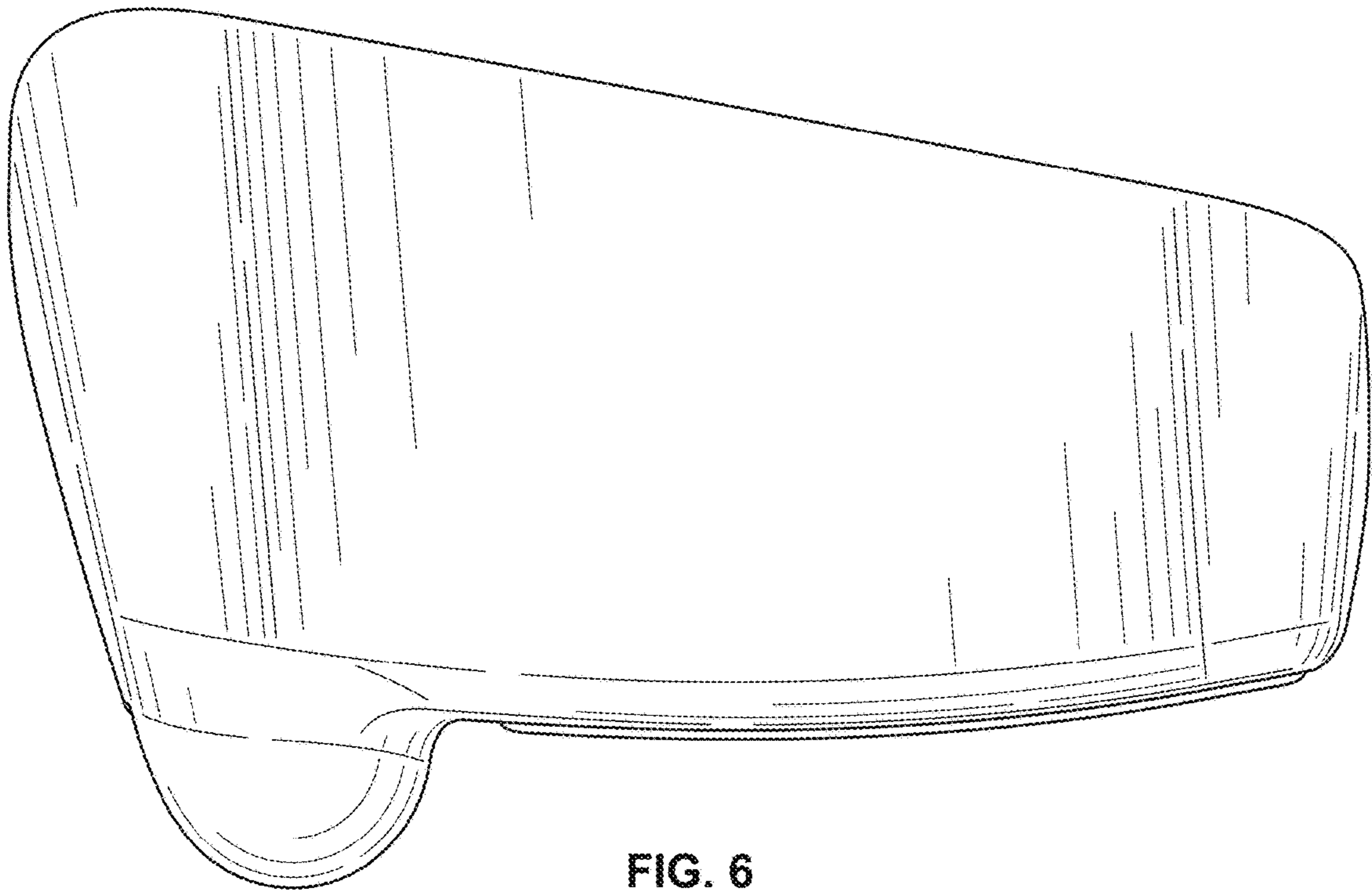


FIG. 6

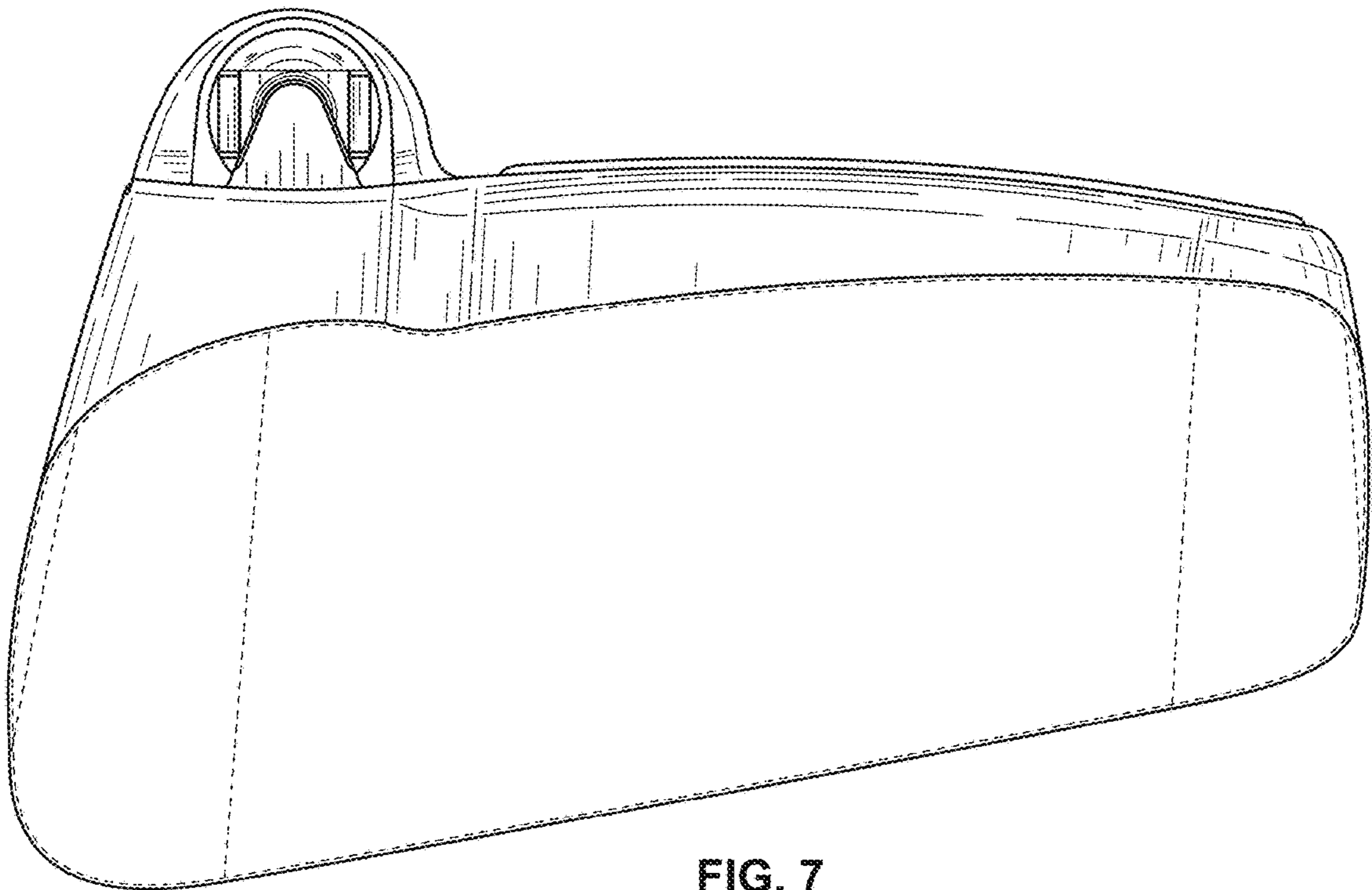


FIG. 7

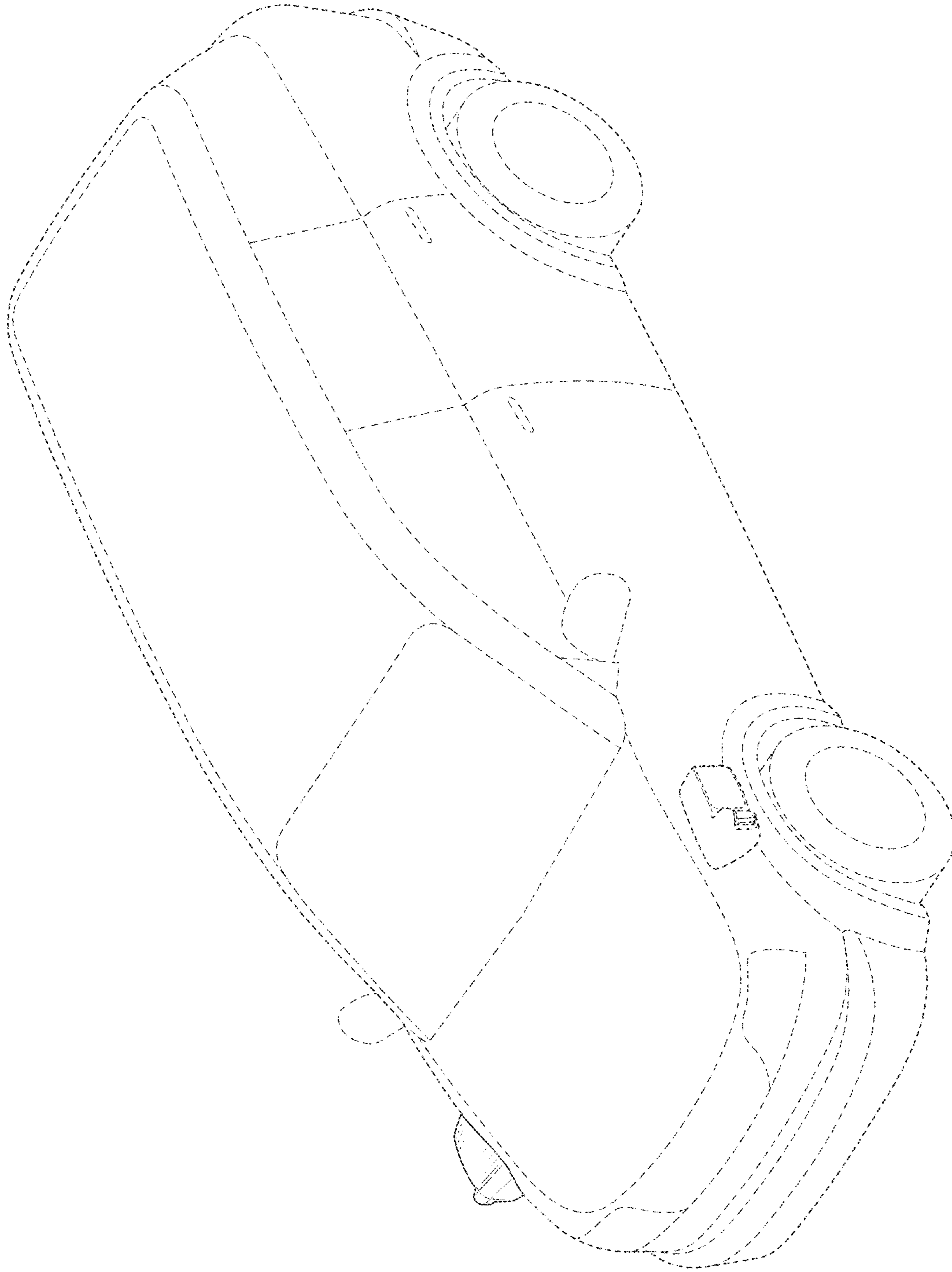


FIG. 8

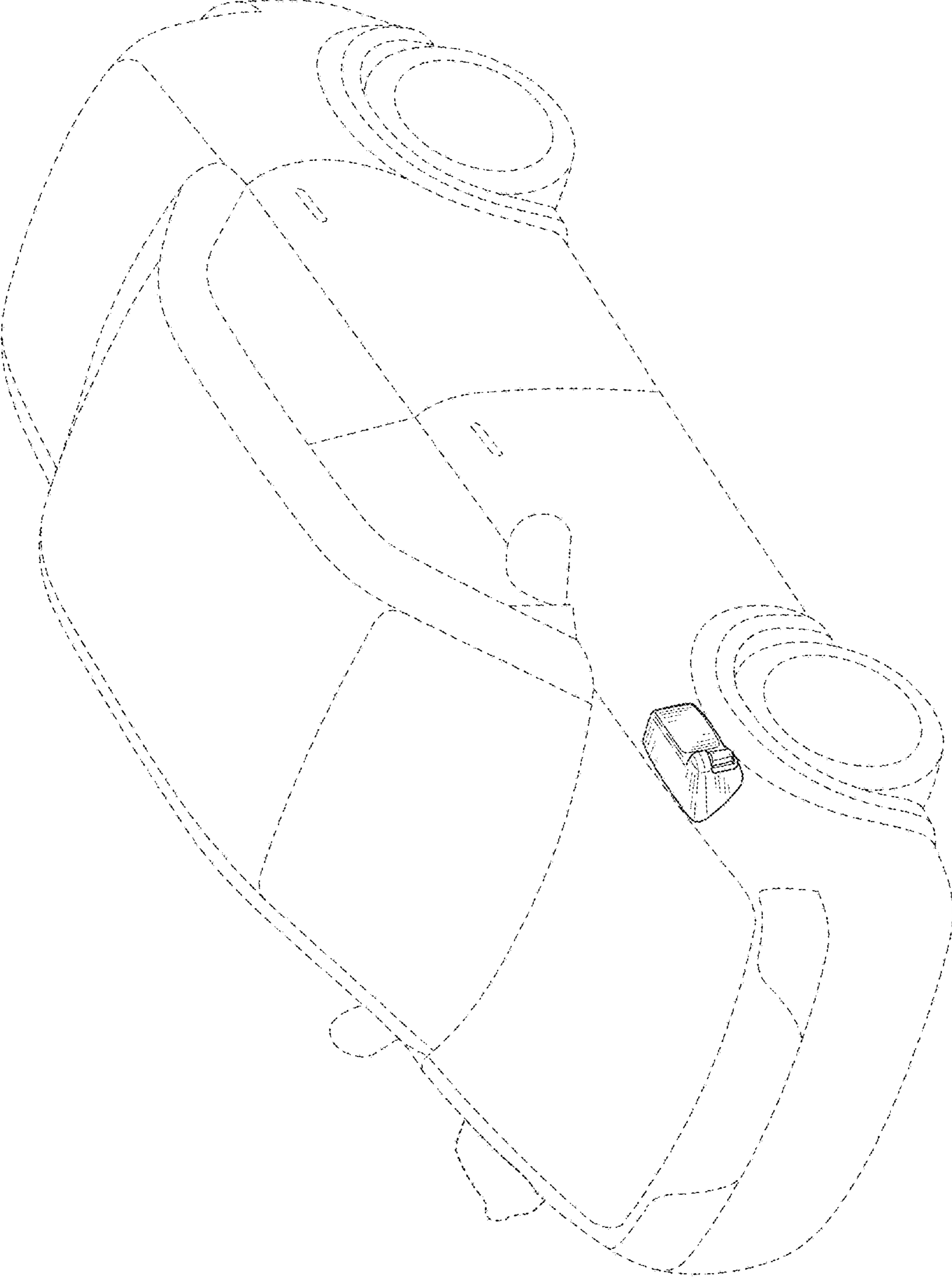


FIG. 9