



US00D858376S

(12) **United States Design Patent** (10) **Patent No.:** **US D858,376 S**  
**Scheinhütte** (45) **Date of Patent:** **\*\* Sep. 3, 2019**

(54) **REAR BUMPER FOR MOTOR VEHICLE**

(71) Applicant: **Dr. Ing. h.c. F. Porsche**  
**Aktiengesellschaft, Stuttgart (DE)**

(72) Inventor: **Ingo Scheinhütte, Eberdingen (DE)**

(73) Assignee: **Dr. Ing. h.c. F. Porsche**  
**Aktiengesellschaft (DE)**

(\*\*) Term: **15 Years**

(21) Appl. No.: **29/621,738**

(22) Filed: **Oct. 11, 2017**

(30) **Foreign Application Priority Data**

Apr. 12, 2017 (DE) ..... 40 2017 100 504

(51) **LOC (12) Cl.** ..... **12-16**

(52) **U.S. Cl.**  
USPC ..... **D12/169**

(58) **Field of Classification Search**  
USPC ..... D12/169, 196, 86, 90-92, 163, 190, 98,  
D12/164; 293/102, 113, 115, 117, 120,  
293/193.11; 296/180.1, 180.2; 180/68.1,  
180/68.6

CPC ..... B60R 19/52; B60K 11/08; B62D 25/08;  
B62B 9/16

See application file for complete search history.

(56) **References Cited**

**U.S. PATENT DOCUMENTS**

D580,833 S *	11/2008	Ebel	.....	D12/169
D598,829 S *	8/2009	Mattin	.....	D12/169
D600,604 S *	9/2009	Lamm	.....	D12/169
D600,605 S *	9/2009	Lamm	.....	D12/169
D619,513 S *	7/2010	Miyazawa	.....	D12/169
D678,147 S *	3/2013	Behmer	.....	D12/169

D678,826 S *	3/2013	Akamine	.....	D12/169
D685,302 S *	7/2013	Futschik	.....	D12/169
D688,993 S *	9/2013	Campbell	.....	D12/169
D688,994 S *	9/2013	Campbell	.....	D12/169
D692,809 S *	11/2013	Uchino	.....	D12/169
D701,805 S *	4/2014	Campbell	.....	D12/169
D703,591 S *	4/2014	Kwon	.....	D12/169
D705,139 S *	5/2014	Jevremovic	.....	D12/169
D713,766 S *	9/2014	Katou	.....	D12/169
D721,625 S *	1/2015	George	.....	D12/169
D721,993 S *	2/2015	Nordmann	.....	D12/169
D746,739 S *	1/2016	Wolff	.....	D12/169
D766,786 S	9/2016	Varga		
D792,294 S *	7/2017	McCabe	.....	D12/169
D795,141 S *	8/2017	Ikeda	.....	D12/169
D797,019 S	9/2017	Yamashita et al.		
D798,779 S	10/2017	Varga		
D807,801 S *	1/2018	Piscitelli	.....	D12/169
D814,994 S *	4/2018	Varga	.....	D12/169
D847,045 S *	4/2019	Whitla	.....	D12/169

\* cited by examiner

*Primary Examiner* — Melody N Brown

(74) *Attorney, Agent, or Firm* — RatnerPrestia

(57) **CLAIM**

The ornamental design for a rear bumper for motor vehicle, as shown and described.

**DESCRIPTION**

FIG. 1 is a left perspective view of a rear bumper for motor vehicle;

FIG. 2 is a front elevation view thereof;

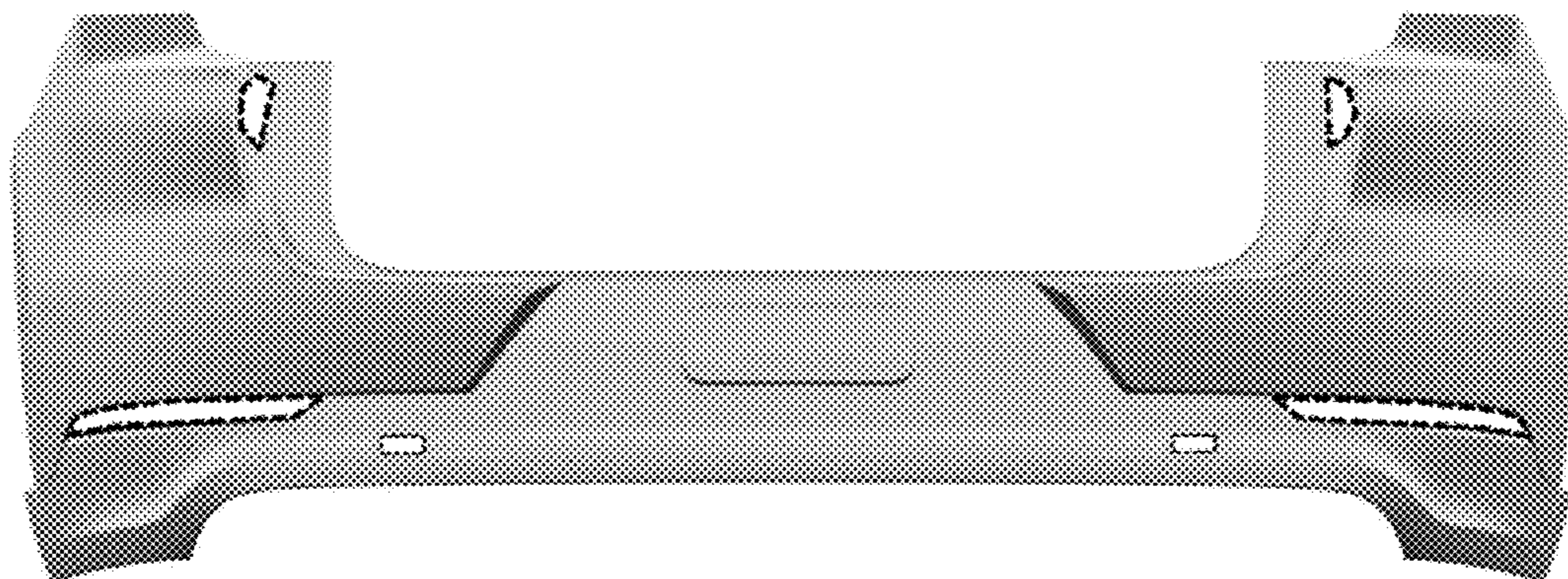
FIG. 3 is an elevation view thereof from the left side;

FIG. 4 is an elevation view thereof from the right side; and,

FIG. 5 is a top plan view thereof.

The portions of the bumper shown in broken lines are for illustrative and environmental purposes and form no part of the claimed design.

**1 Claim, 3 Drawing Sheets**



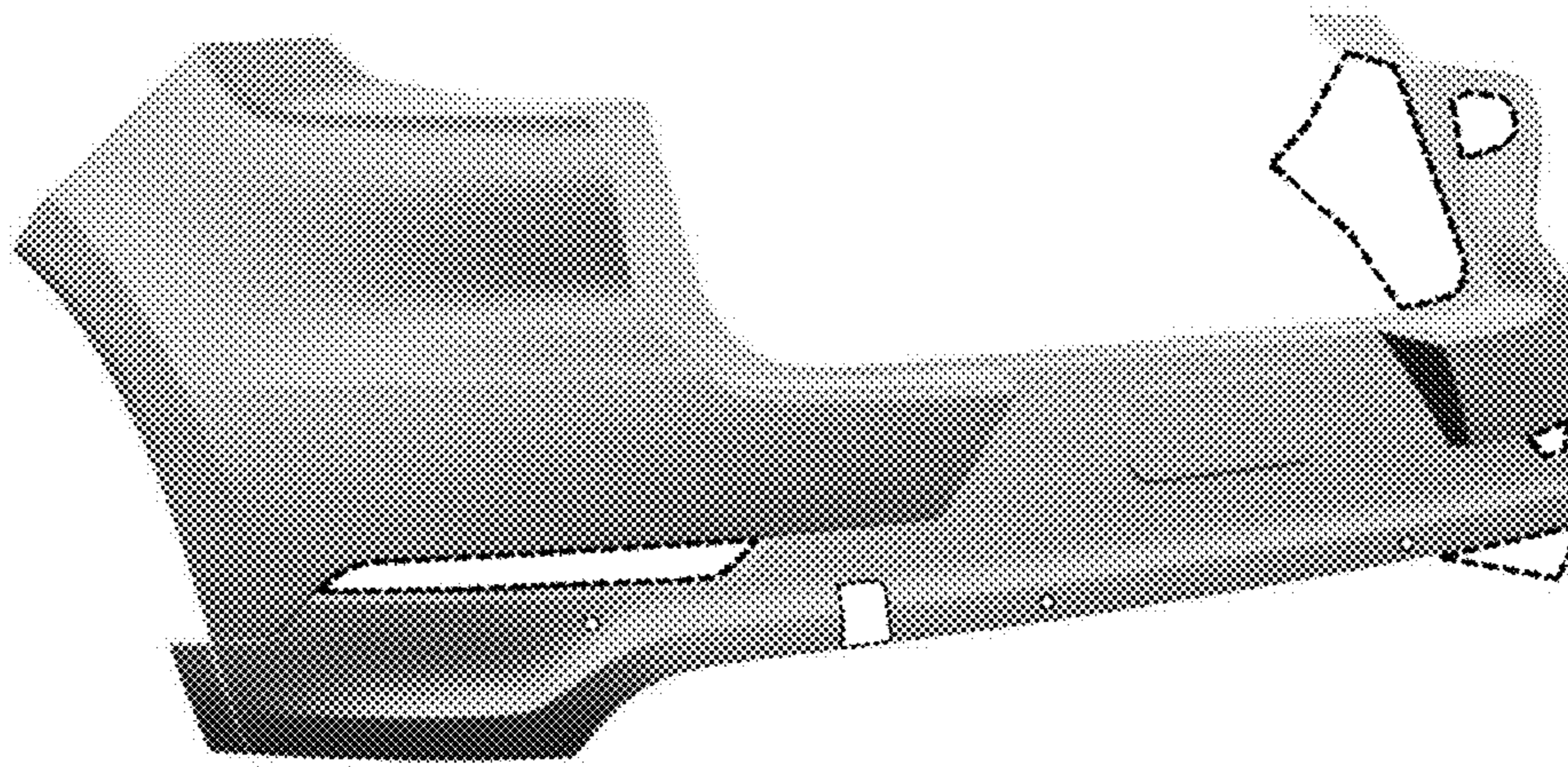


FIG. 1

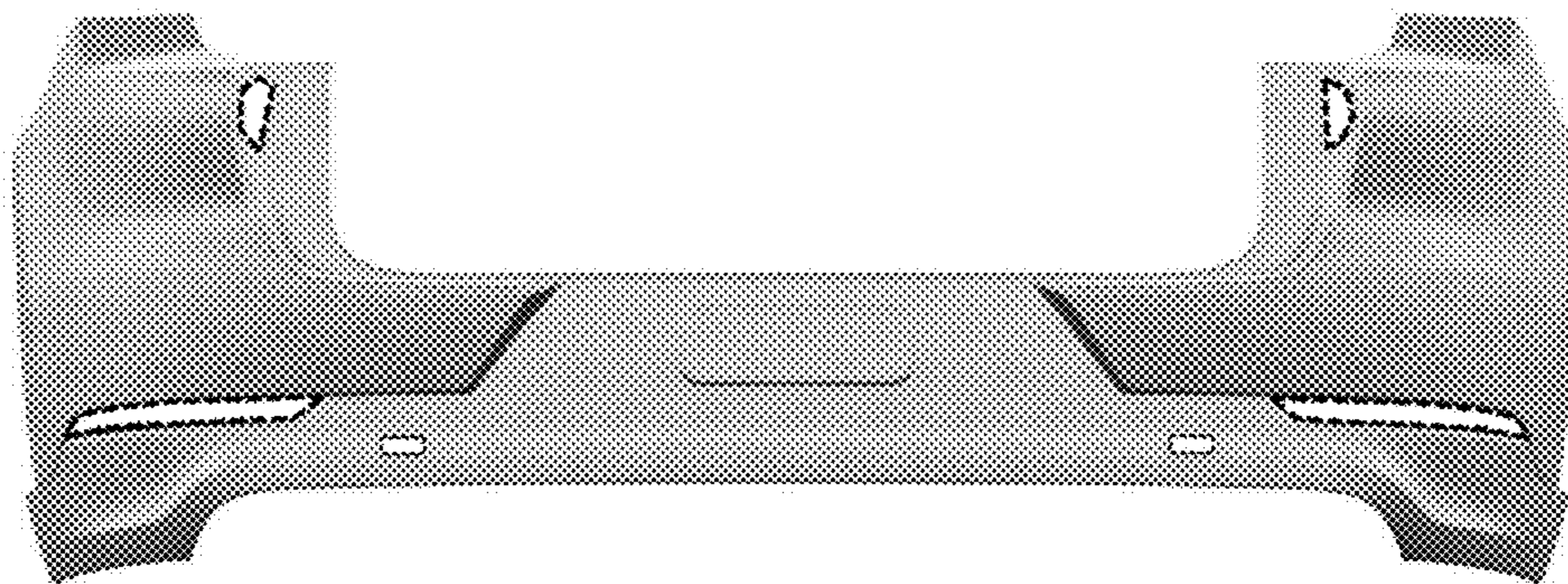


FIG. 2

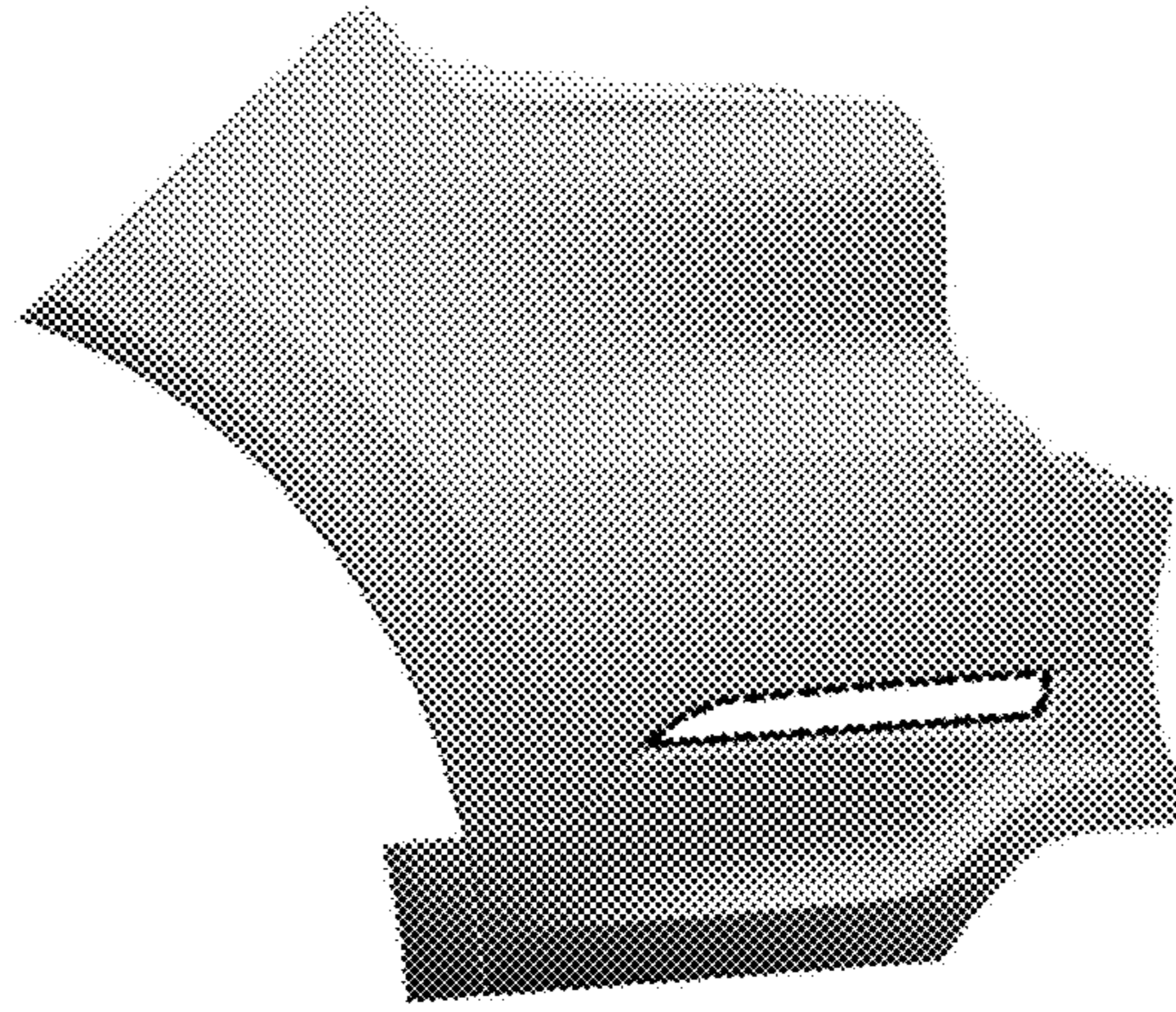


FIG. 3

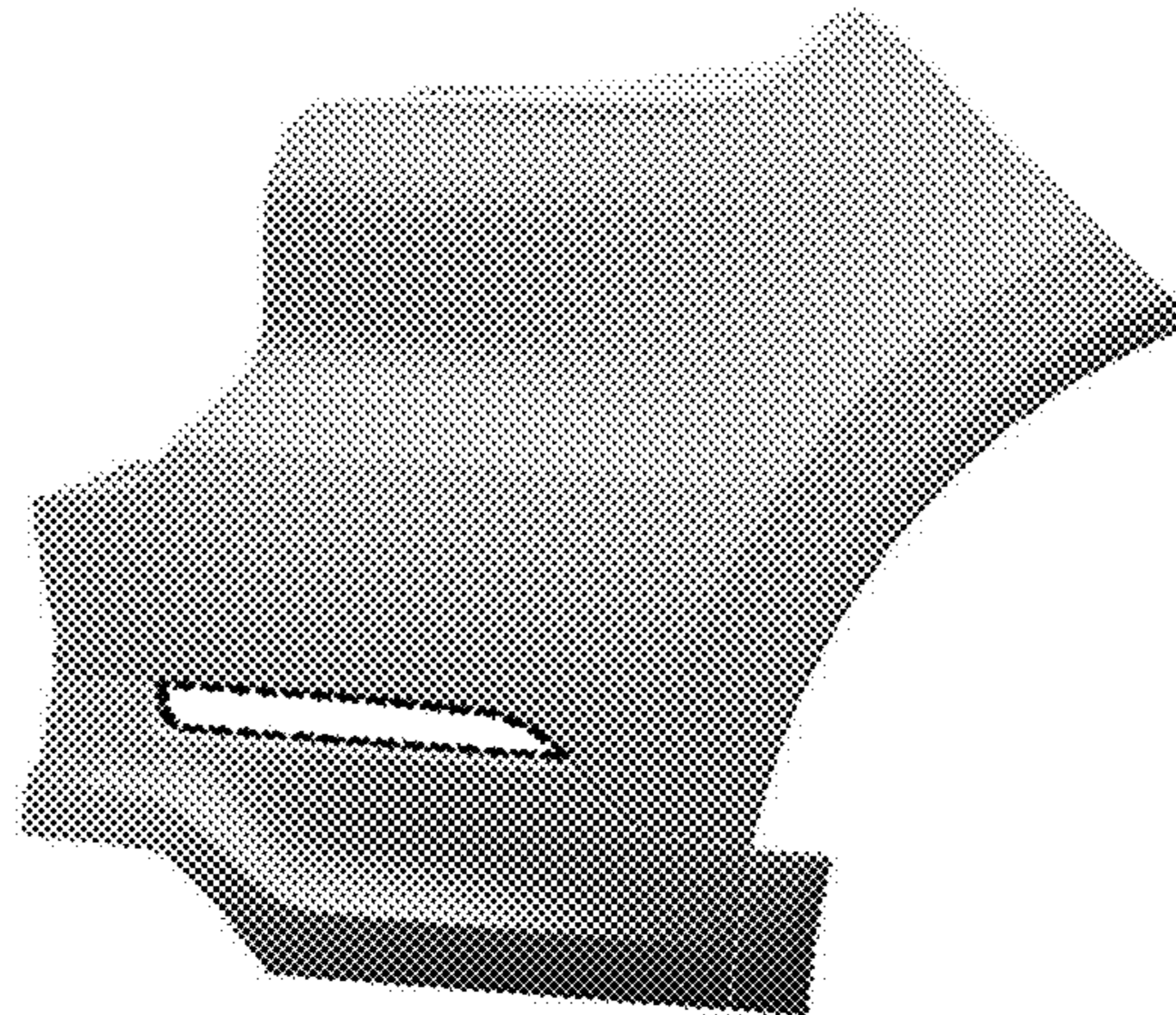


FIG. 4

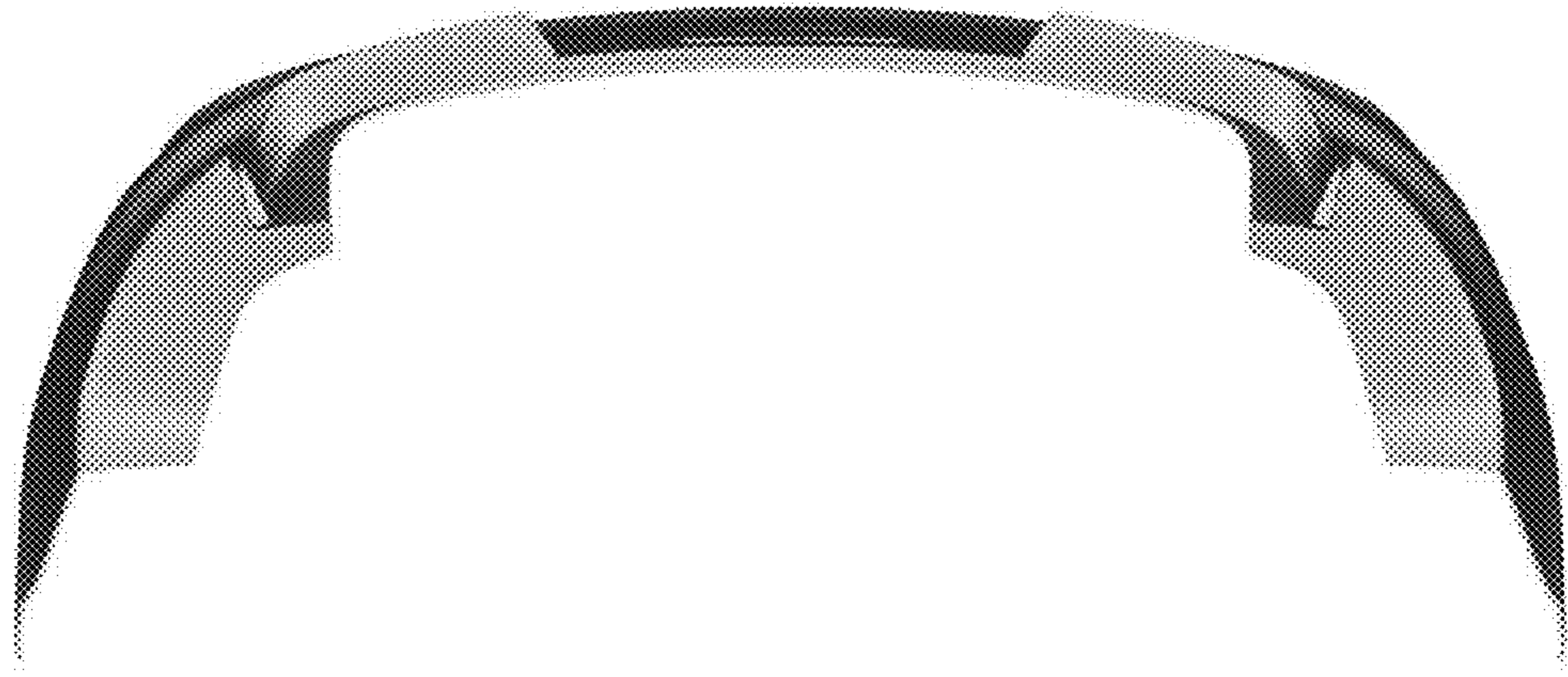


FIG. 5