



US00D858375S

(12) **United States Design Patent** (10) **Patent No.:** **US D858,375 S**
Fang (45) **Date of Patent:** **** Sep. 3, 2019**

(54) **BUMPER GUARD**

(71) Applicant: **Huyan Fang**, Secaucus, NJ (US)

(72) Inventor: **Huyan Fang**, Secaucus, NJ (US)

(**) Term: **15 Years**

(21) Appl. No.: **29/633,574**

(22) Filed: **Jan. 15, 2018**

(51) **LOC (12) Cl.** **12-16**

(52) **U.S. Cl.**
USPC **D12/167; D12/171**

(58) **Field of Classification Search**
USPC D12/90-92, 98, 163, 167, 171
CPC B60R 19/44; B60R 19/02; B60R 19/18;
B60R 19/24; B60R 19/56; B60R
2019/007; B62D 25/0845
See application file for complete search history.

(56) **References Cited**

U.S. PATENT DOCUMENTS

D308,504 S *	6/1990	Hensley	D12/167
D421,586 S *	3/2000	Toms	D12/167
D496,322 S *	9/2004	Farney	D12/401
D508,222 S *	8/2005	Tekavec	D12/167
D617,259 S *	6/2010	Malina	D12/401
7,740,294 B2 *	6/2010	Malina	B60R 19/44 293/128
7,866,715 B2 *	1/2011	Malina	B60R 19/44 293/117
D748,540 S *	2/2016	Elder, Jr.	D12/167
D756,858 S *	5/2016	Malina	D12/167

D756,859 S *	5/2016	Malina	D12/167
9,358,942 B1 *	6/2016	Tekavec	B60R 19/023
D775,017 S *	12/2016	Tekavec	D12/171
D776,034 S *	1/2017	Henry	D12/196
D799,387 S *	10/2017	Malina	D12/167
D814,997 S *	4/2018	Dagrossa	D12/171
D819,528 S *	6/2018	Dagrossa	D12/171
2010/0276951 A1 *	11/2010	Malina	B60R 19/44 293/142

* cited by examiner

Primary Examiner — Darlington Ly

(74) *Attorney, Agent, or Firm* — Dunlap Bennett & Ludwig PLLC

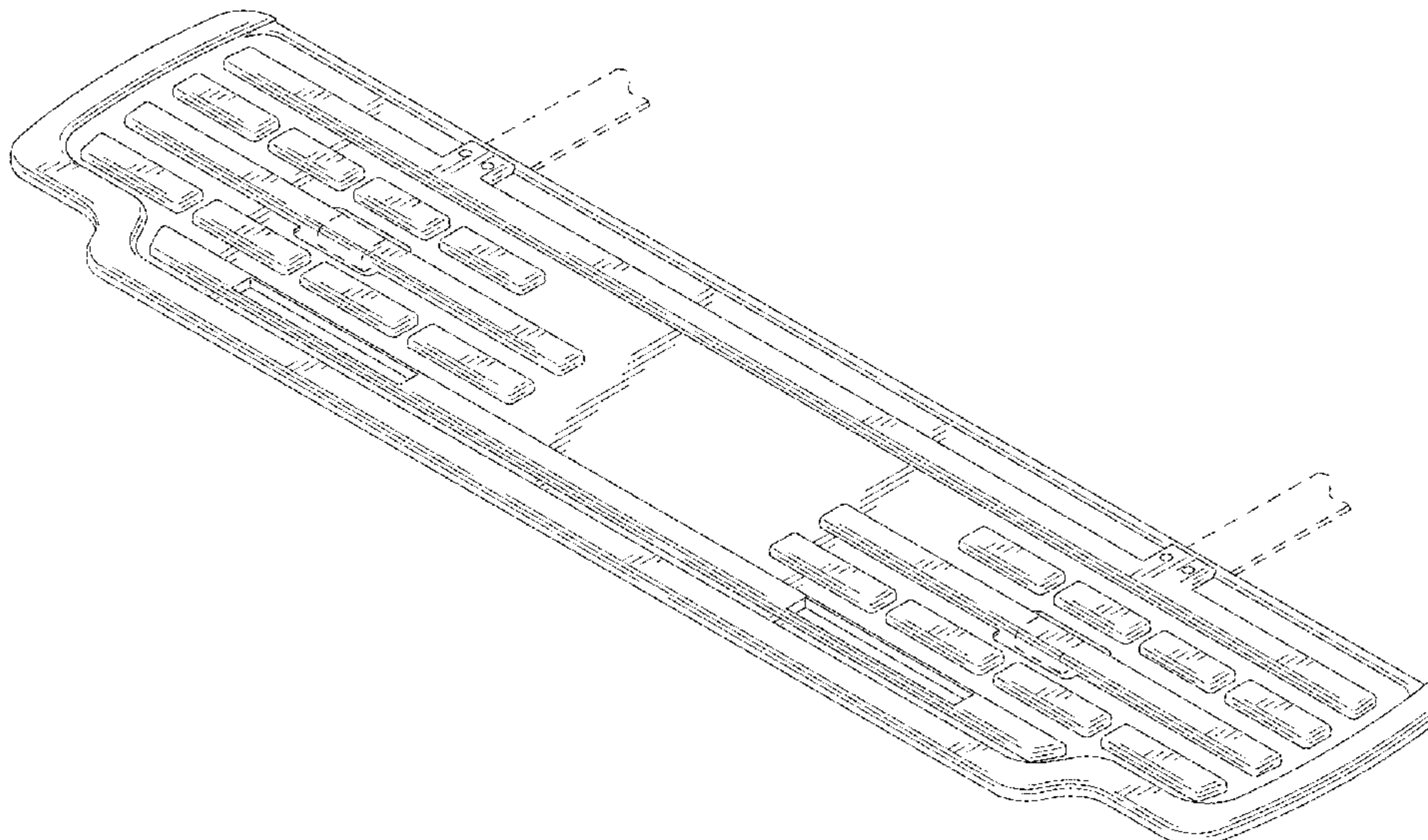
(57) **CLAIM**

The ornamental design for a bumper guard, as shown and described.

DESCRIPTION

FIG. 1 is a top and front perspective view of a bumper guard showing my new design;
FIG. 2 is a top plan view thereof;
FIG. 3 is a bottom plan view thereof;
FIG. 4 is a front elevation view thereof;
FIG. 5 is a rear elevation view thereof; and,
FIG. 6 is a right side elevation view thereof, to which the left side elevation view is a mirror image thereof.
The broken lines in the drawings illustrate portions of the bumper guard that form no part of the claimed design.

1 Claim, 4 Drawing Sheets



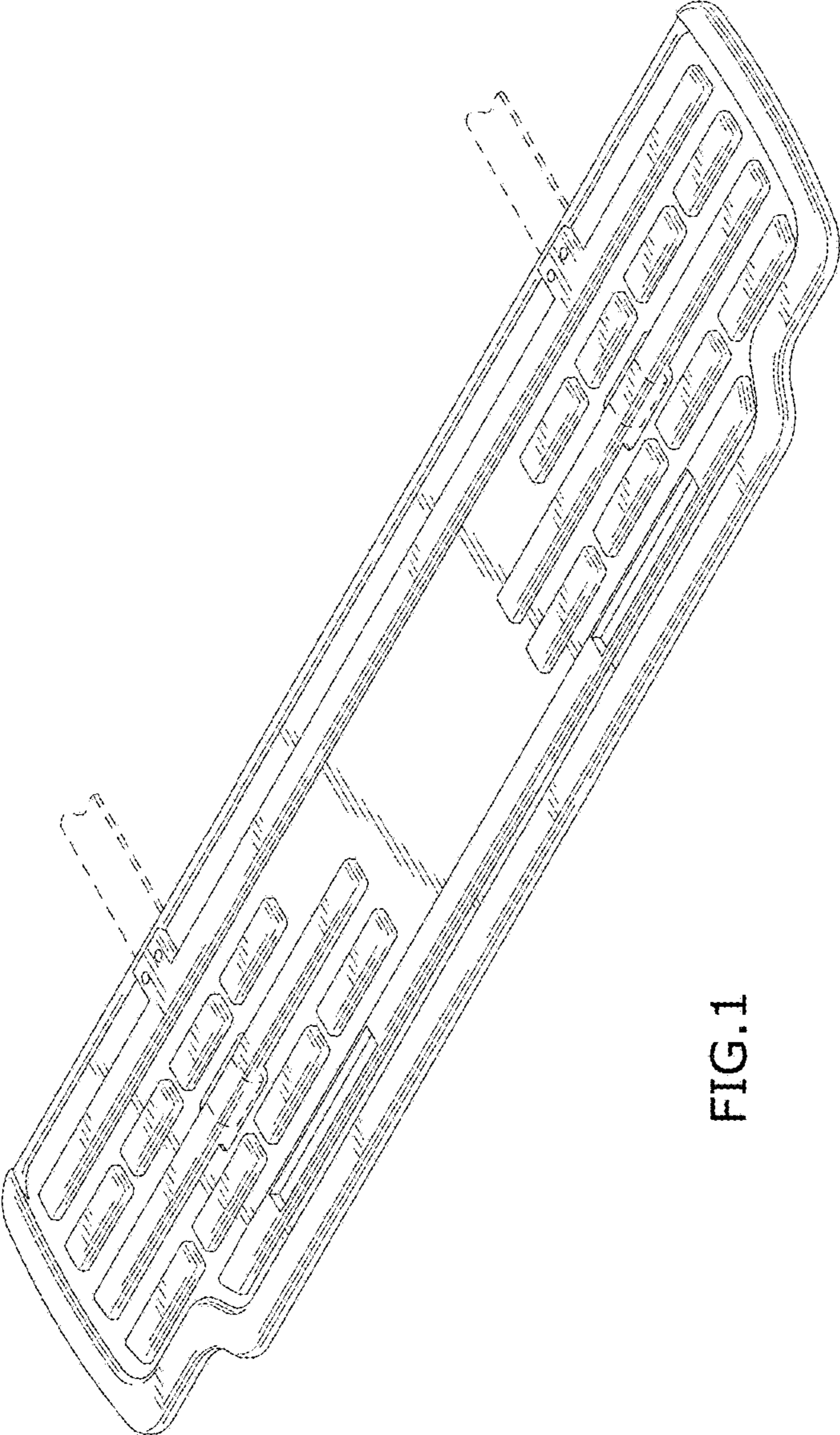


FIG.1

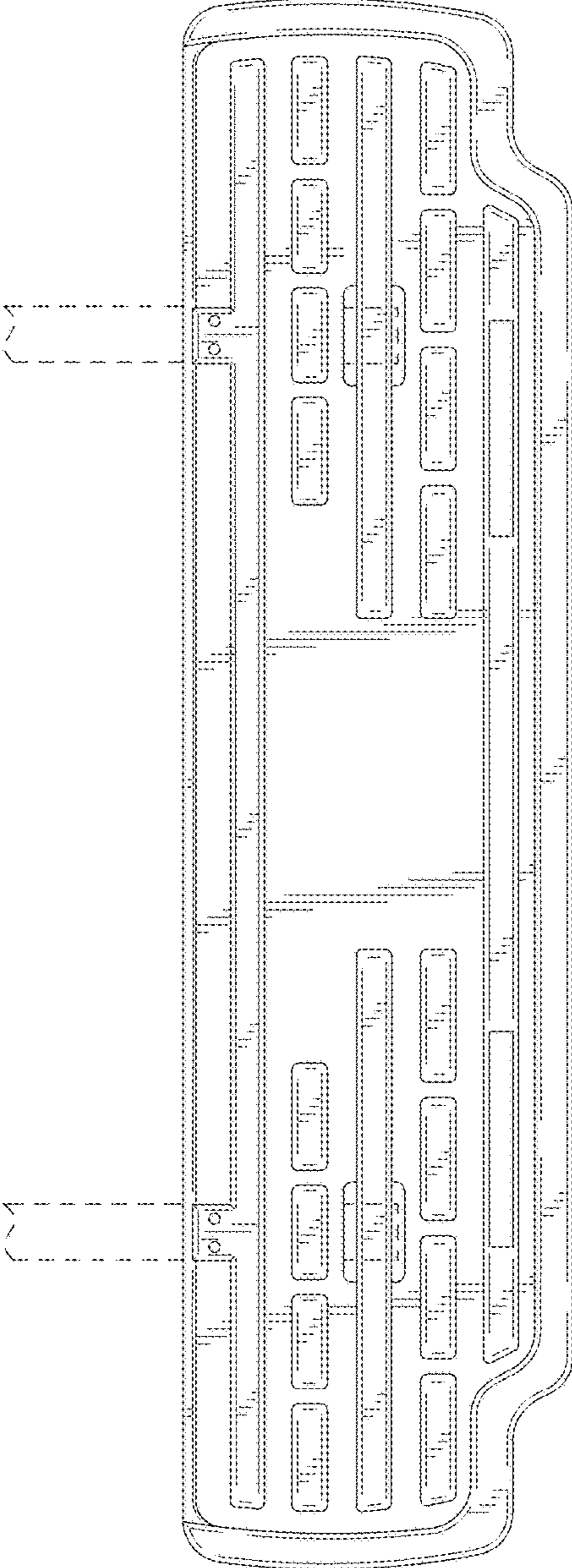


FIG. 2

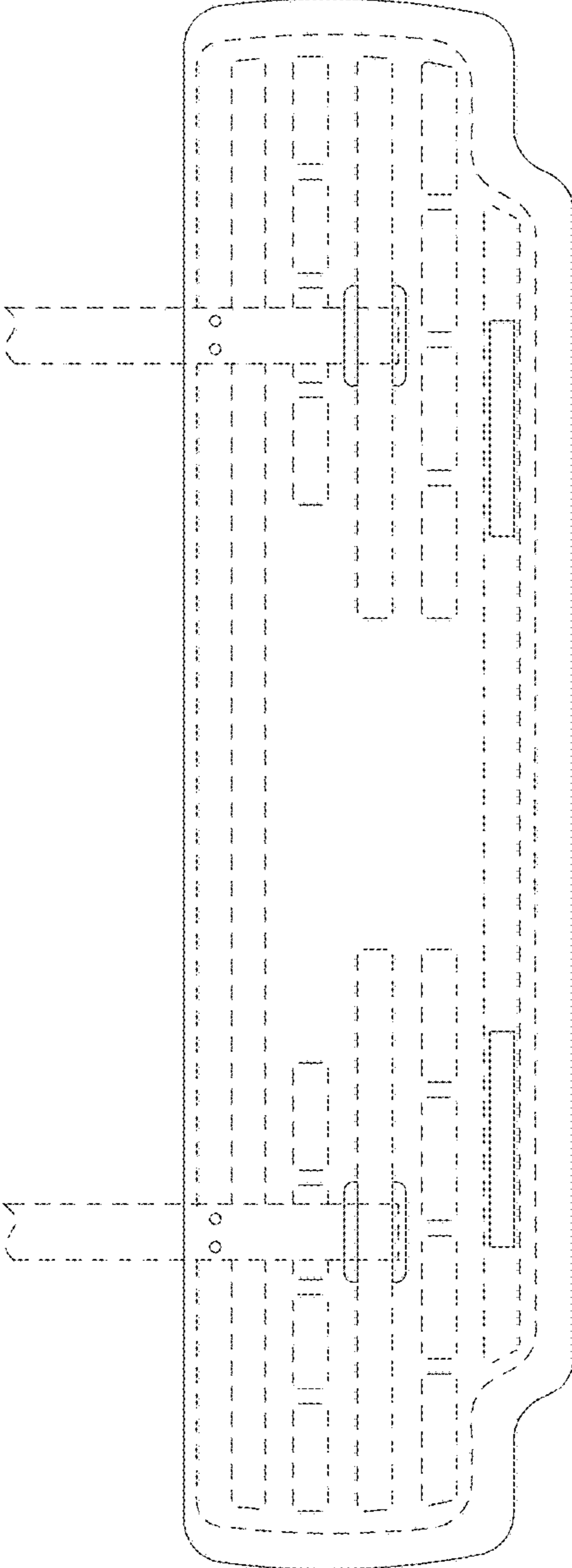


FIG.3

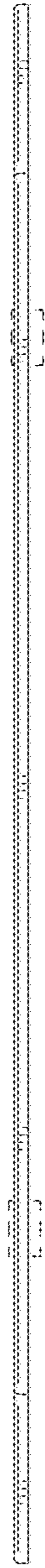


FIG. 4

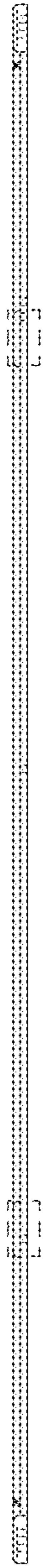


FIG. 5

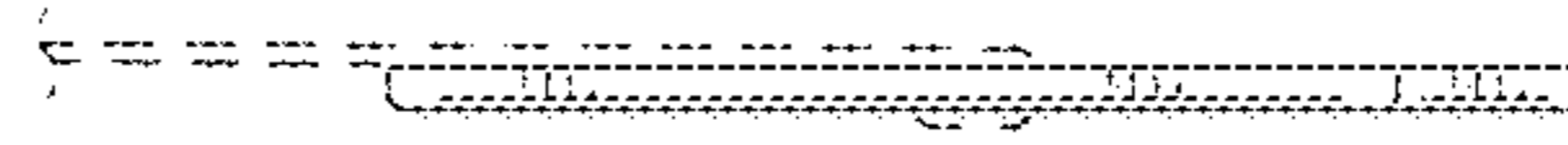


FIG. 6