



US00D858374S

(12) **United States Design Patent**
Lucas et al.

(10) **Patent No.:** **US D858,374 S**

(45) **Date of Patent:** **** Sep. 3, 2019**

(54) **VEHICLE FRONT UPPER BUMPER COVER**

D701,474 S * 3/2014 Fetherston D12/164
D701,798 S * 4/2014 Futschik D12/164
D711,790 S * 8/2014 Futschik D12/164
D815,996 S * 4/2018 Badstuebner D12/164

(71) Applicant: **Ford Global Technologies, LLC**,
Dearborn, MI (US)

(72) Inventors: **Earl C. Lucas**, Southfield, MI (US);
Keith Rogman, Fenton, MI (US);
Hojoon Kang, Novi, MI (US); **David Woodhouse**, Troy, MI (US)

OTHER PUBLICATIONS

https://www.youtube.com/watch?v=4O_aCviPOjo Nov. 28, 2017
(Year: 2017).*

(73) Assignee: **Ford Global Technologies, LLC**,
Dearborn, MI (US)

* cited by examiner

Primary Examiner — Leanne Was-Englehart

(**) Term: **15 Years**

(74) *Attorney, Agent, or Firm* — Vichit Chea

(21) Appl. No.: **29/624,493**

(57) **CLAIM**

(22) Filed: **Nov. 1, 2017**

The ornamental design for a vehicle front upper bumper cover, as shown and described.

(51) **LOC (12) Cl.** **12-16**

(52) **U.S. Cl.**
USPC **D12/164**

DESCRIPTION

(58) **Field of Classification Search**
USPC D12/86, 163, 164, 167, 169–172, 216;
D21/424, 427, 433, 483, 533, 548
CPC B60R 19/02; B60R 19/04; B60R 19/18;
B60R 19/24; B60R 19/26; B60R 19/52;
B62D 25/08; B60K 11/08
See application file for complete search history.

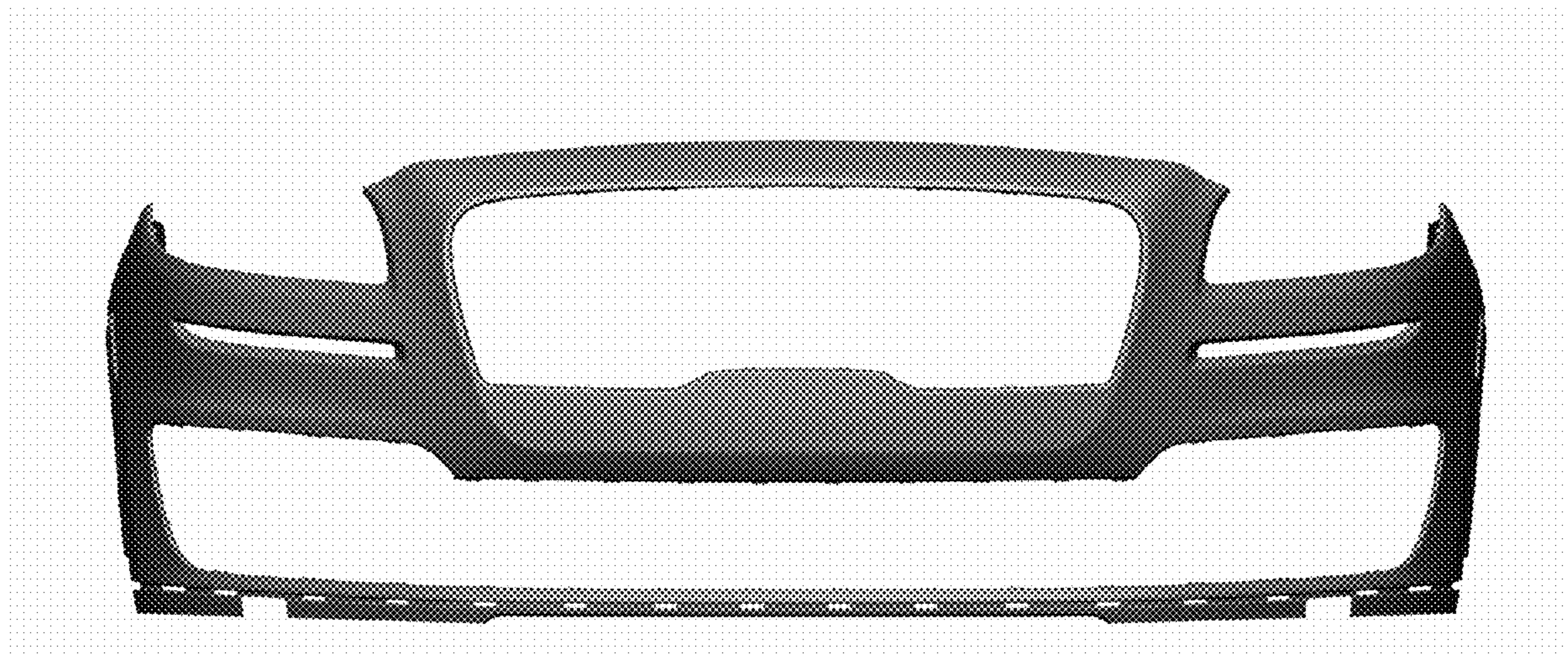
FIG. 1 is a top, front, and left side perspective view of a vehicle front upper bumper cover, showing our new design; FIG. 2 is a bottom, front, and left side perspective view thereof; FIG. 3 is a top, rear, and left side perspective view thereof; FIG. 4 is a front elevational view thereof; FIG. 5 is a rear elevational view thereof; FIG. 6 is a left side elevational view thereof; FIG. 7 is a right side elevational view thereof; FIG. 8 is a top plan view thereof; and, FIG. 9 is a bottom plan view thereof.

(56) **References Cited**

U.S. PATENT DOCUMENTS

D664,078 S * 7/2012 Futschik D12/164
D674,730 S * 1/2013 Nagafuchi D12/164

1 Claim, 9 Drawing Sheets



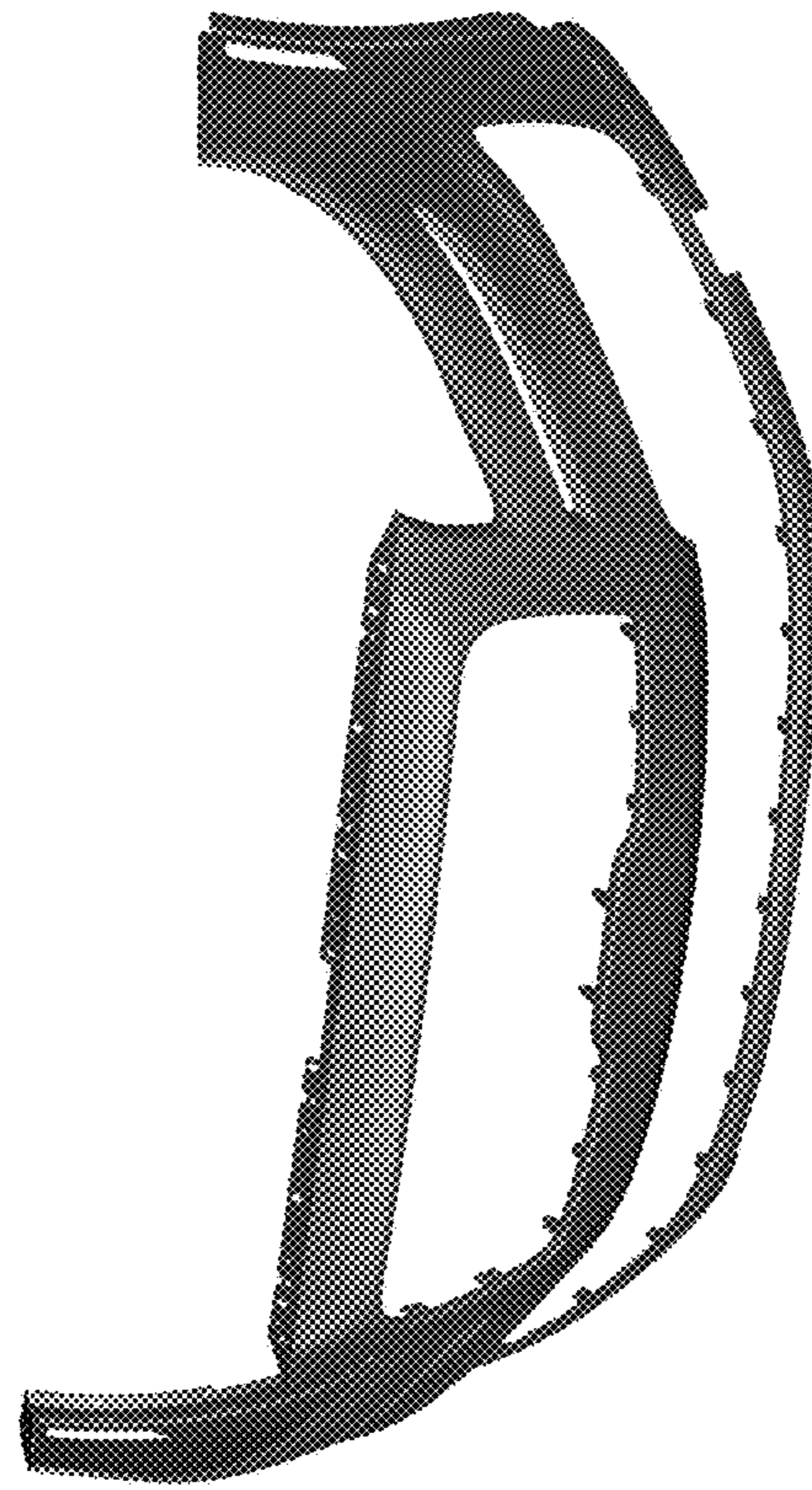


FIG. 1

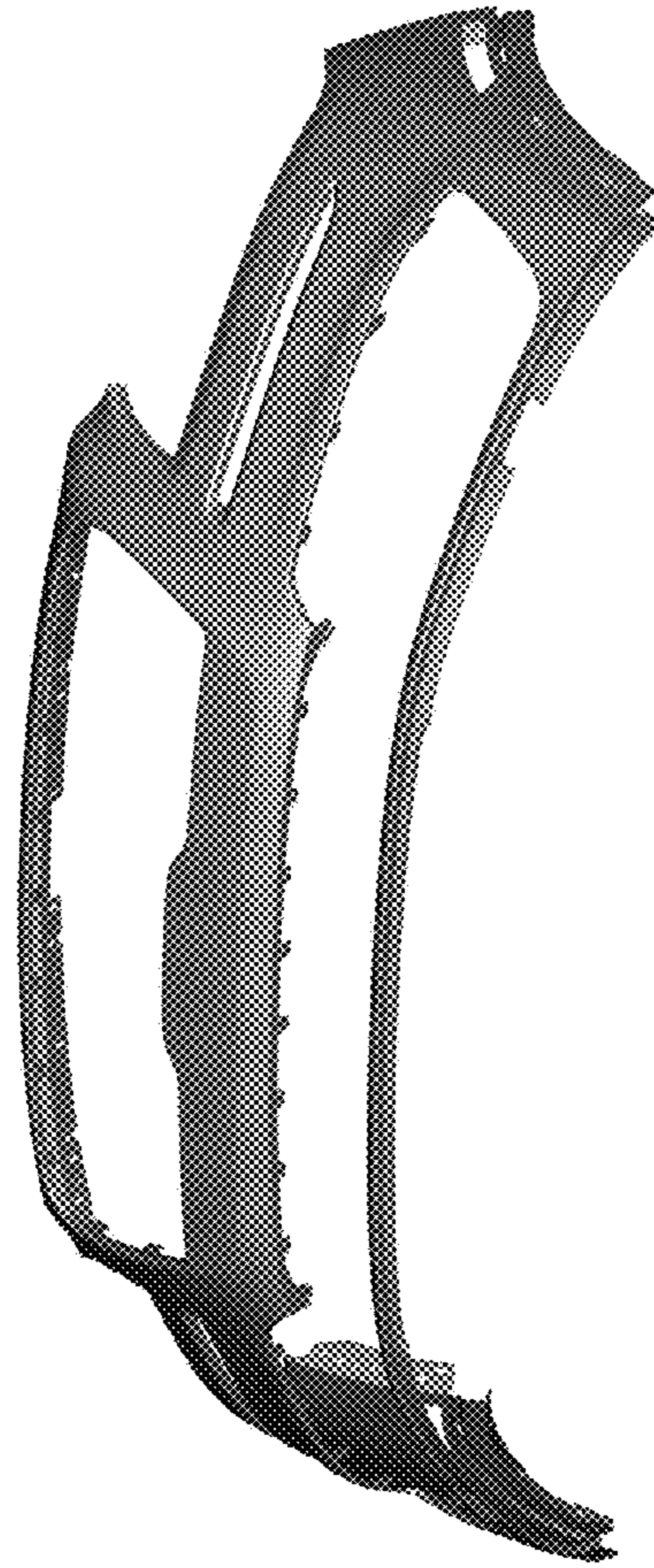


FIG. 2



FIG. 3

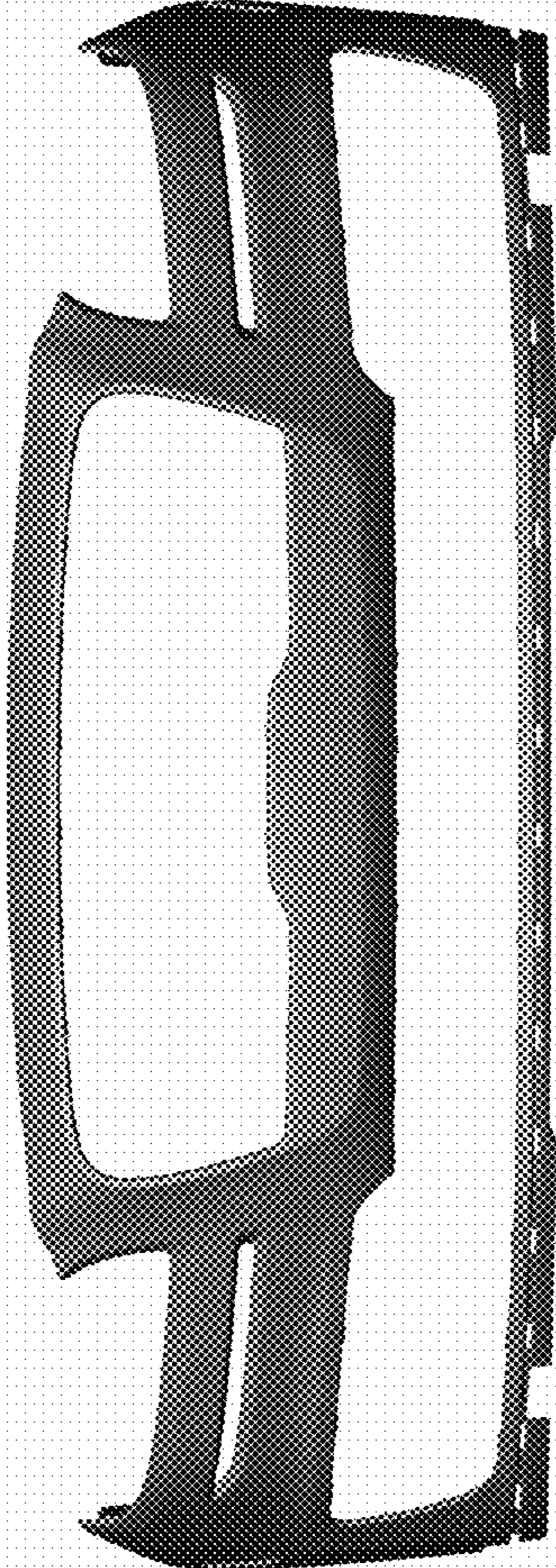


FIG. 4

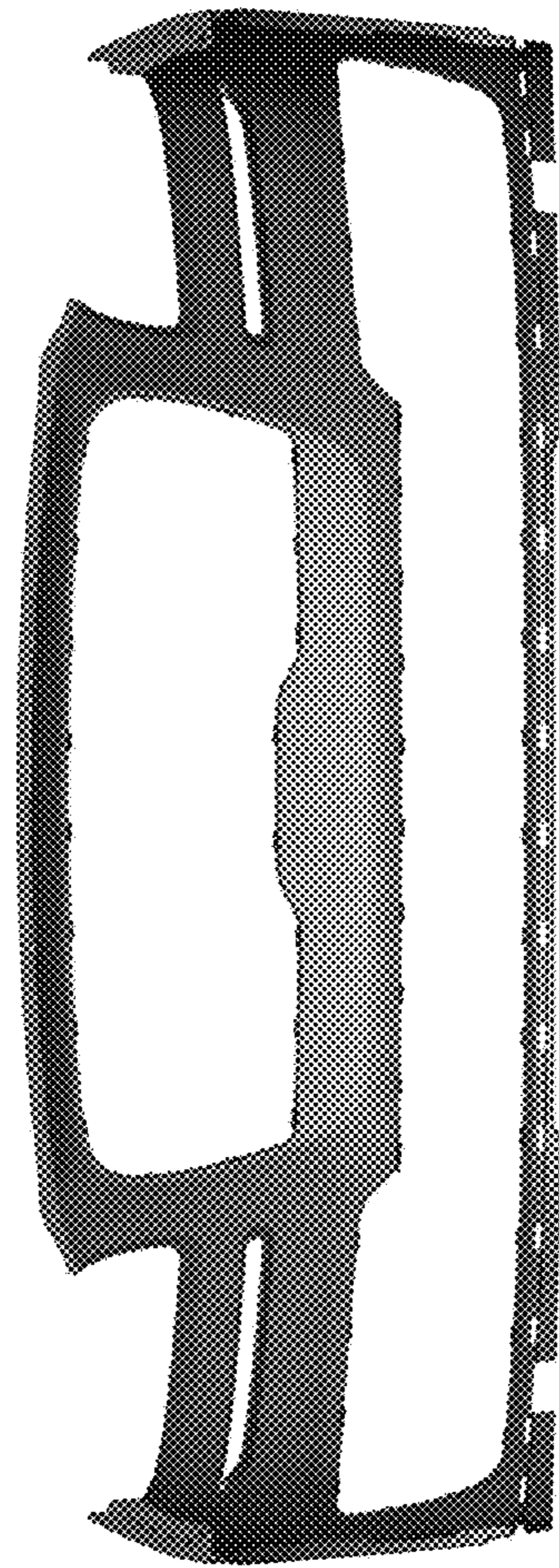


FIG. 5

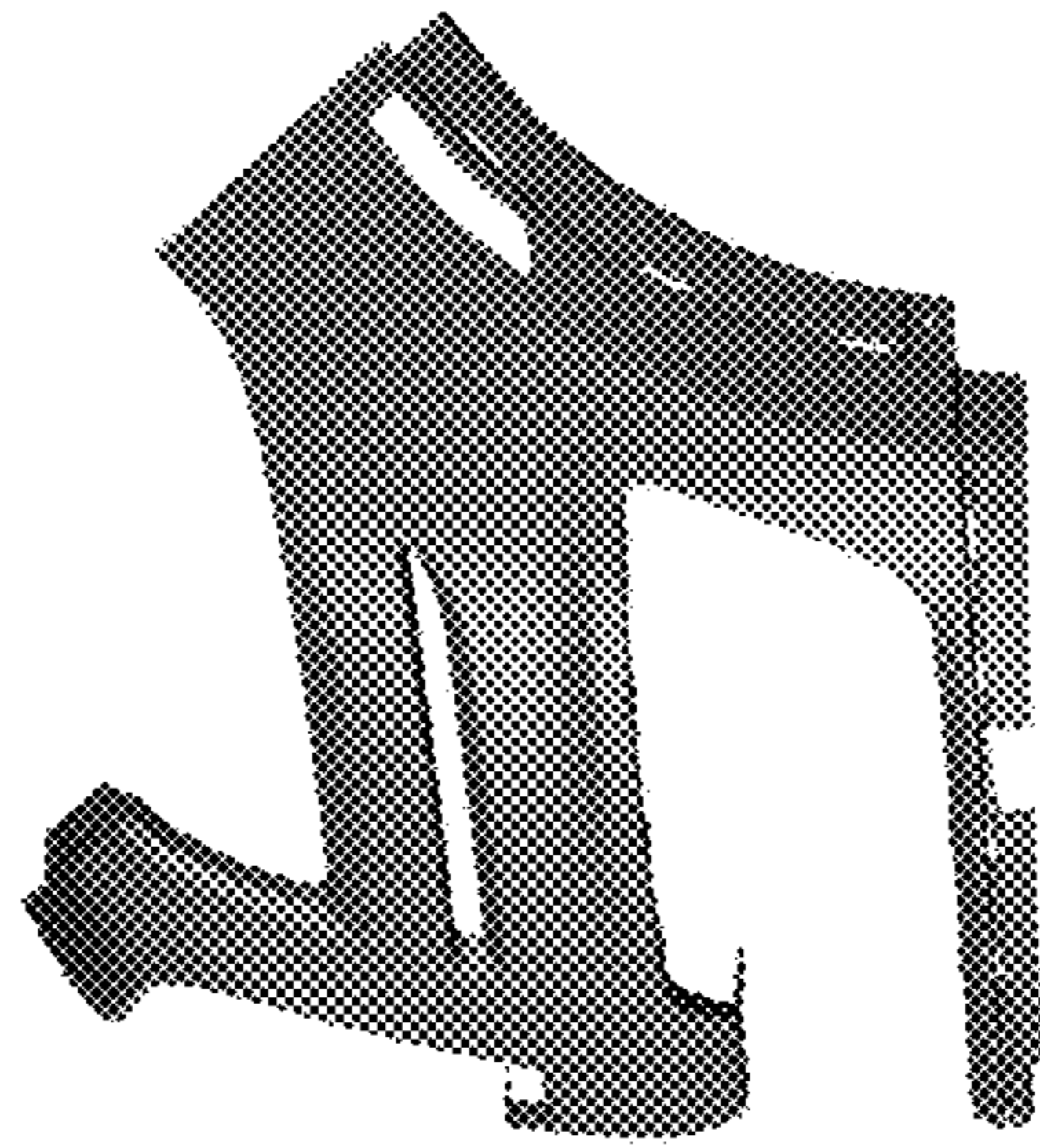


FIG. 6

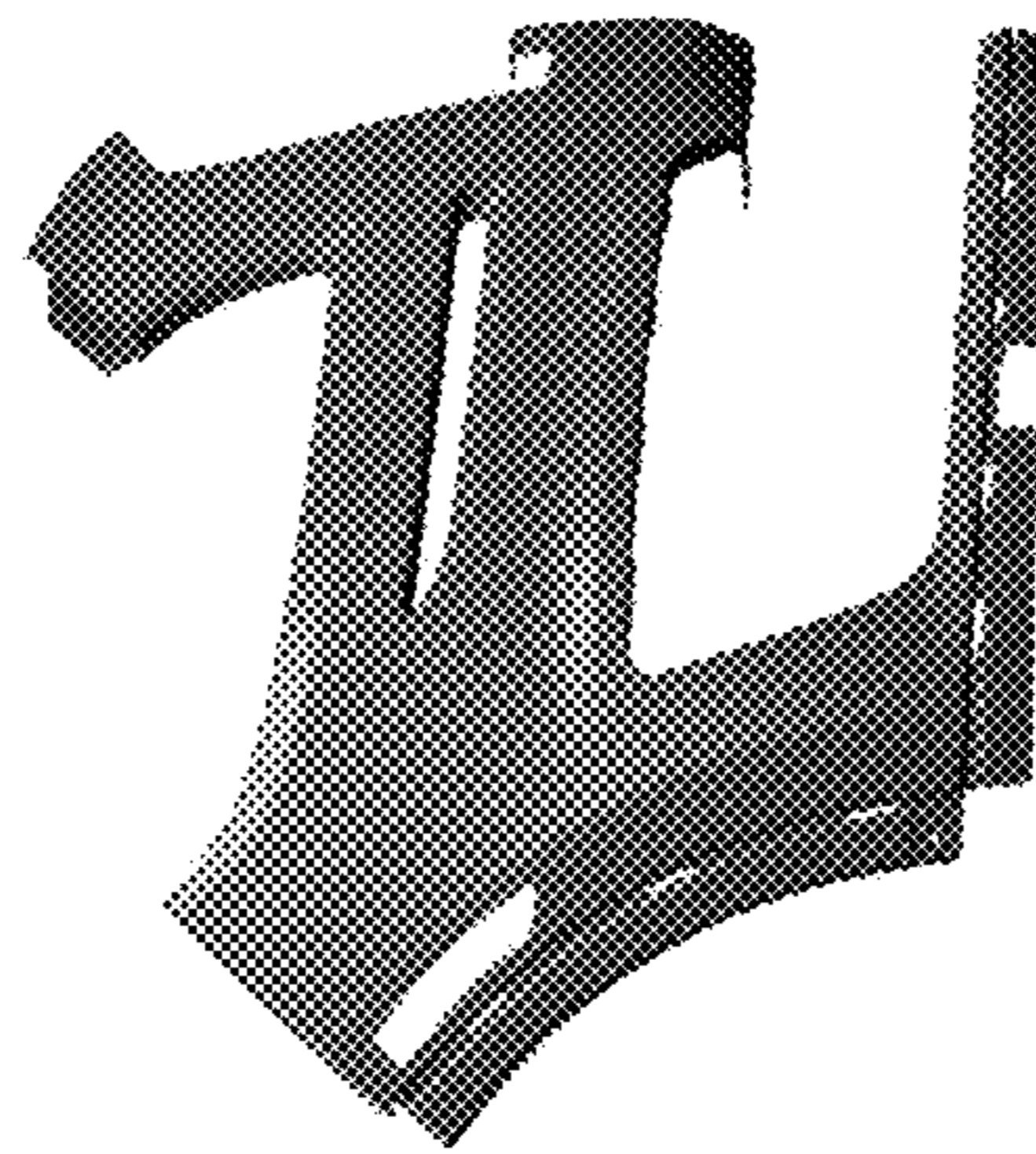


FIG. 7

FIG. 8

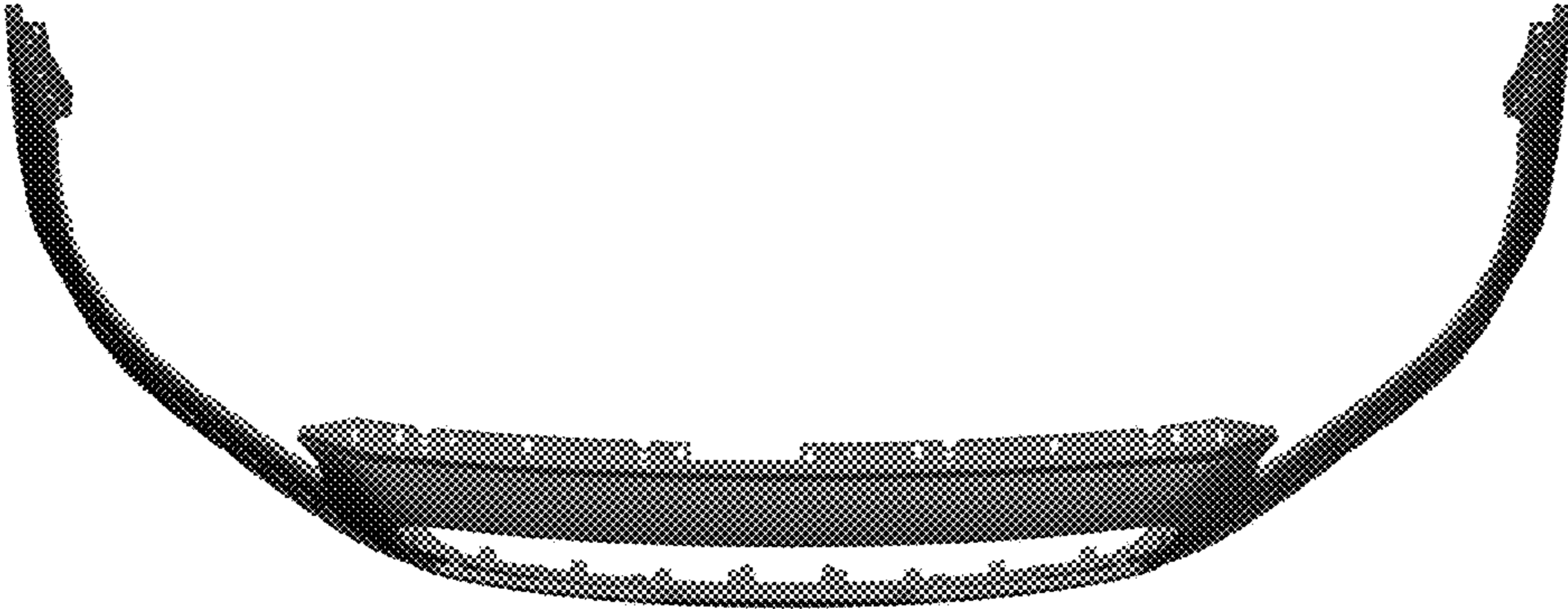


FIG. 9

