



US00D858370S

(12) **United States Design Patent** (10) **Patent No.:** **US D858,370 S**
Gittin (45) **Date of Patent:** **** Sep. 3, 2019**

(54) **AUTOMOBILE FRONT GRILLE**
(71) Applicant: **Vaughn Gittin**, Huntersville, NC (US)
(72) Inventor: **Vaughn Gittin**, Huntersville, NC (US)
(**) Term: **15 Years**

D740,725 S * 10/2015 Payne D12/163
D746,731 S * 1/2016 Quezada D12/163
D749,995 S * 2/2016 Azadi D12/163
2006/0225934 A1 * 10/2006 Fobean B62D 25/10
180/69.21

(21) Appl. No.: **29/629,593**
(22) Filed: **Dec. 14, 2017**

OTHER PUBLICATIONS

<http://www.roushperformance.com/parts/2015-Mustang-ROUSH-front-fascia-upper-grille.html> (mid 2014).
Torque News, <http://www.torquenews.com/106/ford-puts-2015-mustang-ecoboost-12s-new-supercharged-gt-runs-10s-video> (Sep. 9, 2014).
Torque News, <http://www.torguenews.com/106/similarities-across-2015-ford-mustang-lineup-could-equal-big-sales-gains> (Dec. 31, 2013).
Motortrend, <http://www.motortrend.com/news/2015-ford-mustang-configurator-is-live-fully-loaded-gt-costs-50475/> (Jun. 13, 2014).

Related U.S. Application Data

(63) Continuation of application No. 29/545,008, filed on Nov. 9, 2015, now abandoned.
(51) **LOC (12) Cl.** **12-16**
(52) **U.S. Cl.**
USPC **D12/163**
(58) **Field of Classification Search**
USPC D12/86, 90, 91, 92, 163, 169, 196, 171,
D12/216; D15/31
CPC . B60R 19/52; B60R 2019/525; B60K 11/085;
B62D 25/084; H01Q 1/32
See application file for complete search history.

* cited by examiner

Primary Examiner — Darlington Ly
(74) *Attorney, Agent, or Firm* — Pitts & Lake, P.C.

(57) **CLAIM**

The ornamental design for an automobile front grille, as shown and described.

(56) **References Cited**

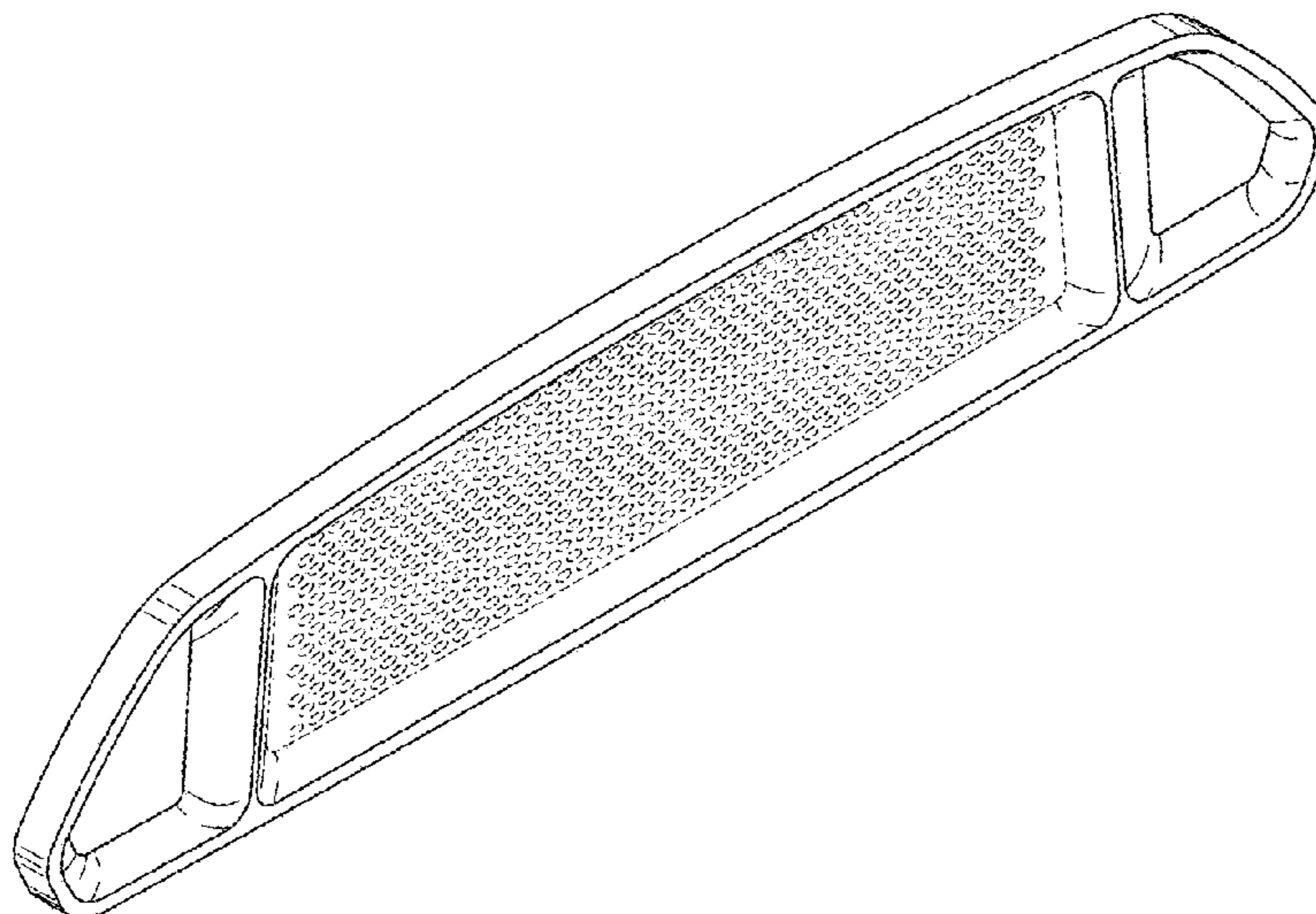
U.S. PATENT DOCUMENTS

D324,018 S * 2/1992 Ueno D12/170
D519,066 S * 4/2006 Ney D12/163
D577,636 S * 9/2008 Saridakis D12/163
D586,267 S * 2/2009 Ebel D12/163
D593,461 S * 6/2009 Kouzai D12/163
D605,566 S * 12/2009 Wong D12/163
D613,648 S * 4/2010 Wong D12/163
D613,649 S * 4/2010 Wong D12/163
D624,468 S * 9/2010 Wong D12/163
D733,619 S * 7/2015 Glover D12/163
D736,123 S * 8/2015 Hammoud D12/163

DESCRIPTION

FIG. 1 is a perspective view of an automotive front grille showing my new design;
FIG. 2 is a front elevational view thereof;
FIG. 3 is a top plan view thereof;
FIG. 4 is a bottom plan view thereof; and,
FIG. 5 is a right-side elevation view thereof, of which the left-side elevation view is a mirror image.
The broken line in the drawings illustrate portions of the automobile front grille that form no part of the claimed design.

1 Claim, 3 Drawing Sheets



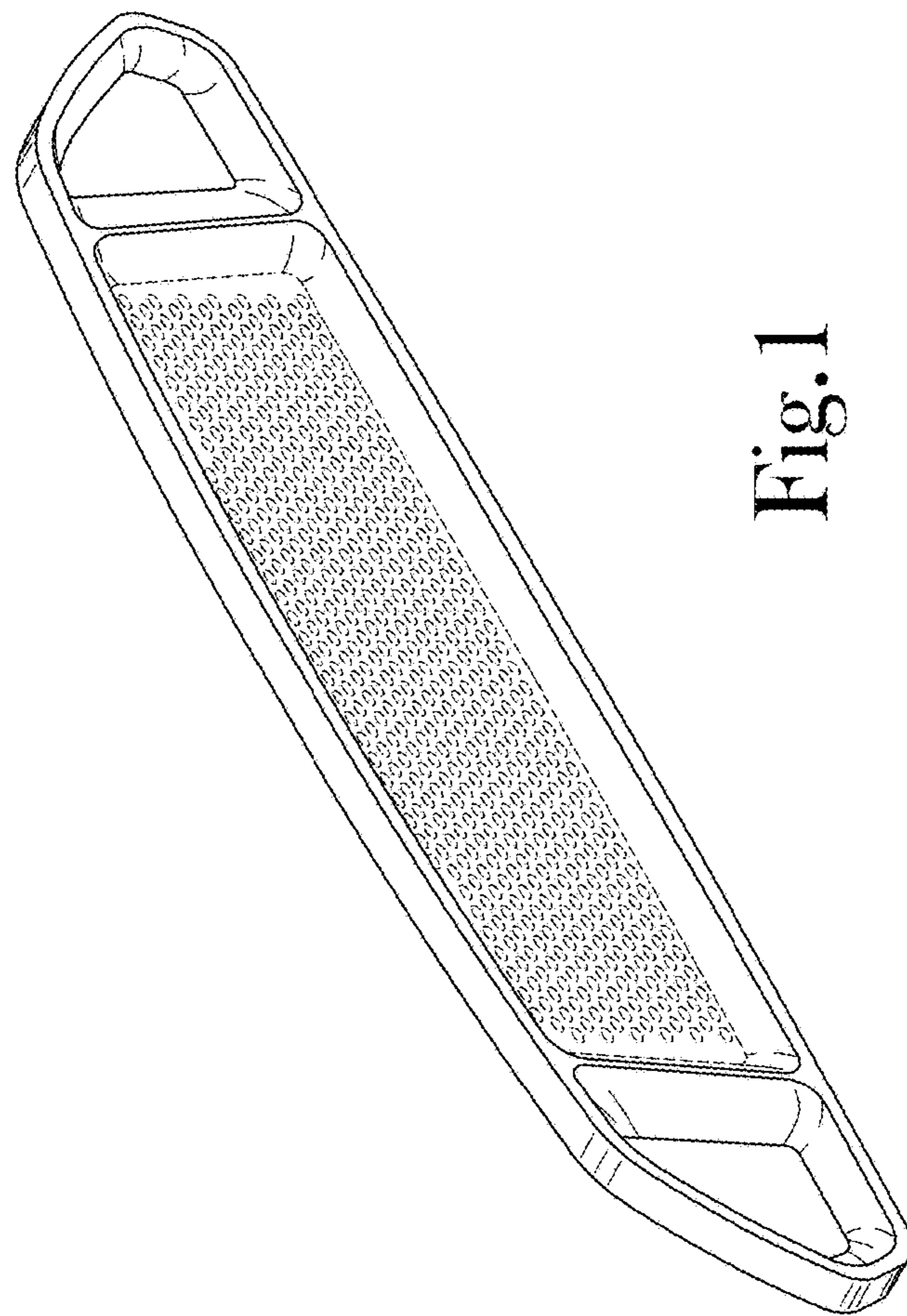


Fig. 1

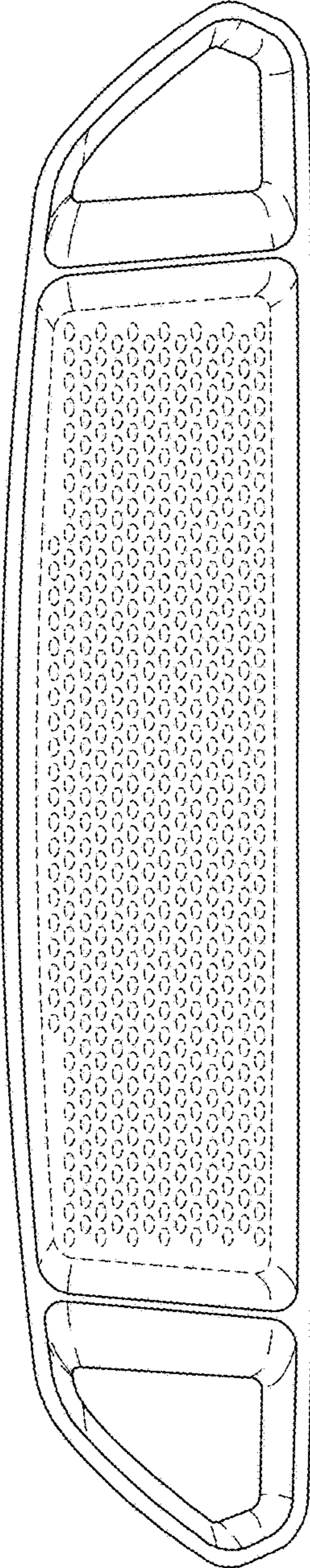


Fig. 2



Fig. 3



Fig. 4



Fig. 5