



US00D858368S

(12) **United States Design Patent**
Siegel et al.

(10) **Patent No.:** **US D858,368 S**

(45) **Date of Patent:** **** Sep. 3, 2019**

- (54) **ROTATING HITCH ASSEMBLY**
- (71) Applicant: **HORIZON GLOBAL AMERICAS INC.**, Plymouth, MI (US)
- (72) Inventors: **Theodore J. Siegel**, Mayfield Heights, OH (US); **Eric Yukich**, Stow, OH (US); **Michael Maurer**, Euclid, OH (US); **Doug Soulsby**, Stow, OH (US); **Alex Burrows**, Euclid, OH (US); **Alex Meyer**, Cleveland, OH (US)
- (73) Assignee: **HORIZON GLOBAL AMERICAS INC.**, Plymouth, MI (US)

D803,108 S *	11/2017	Liu	D12/162
D809,053 S *	1/2018	Carnevali	D16/242
D814,549 S *	4/2018	Carnevali	D16/242
D825,401 S *	8/2018	Stickles	D12/162
D828,240 S *	9/2018	Williams	D12/162
D832,155 S *	10/2018	Siegel	D12/162
D832,156 S *	10/2018	Johns	D12/162
D834,464 S *	11/2018	Cincunegui	D12/162
D837,698 S *	1/2019	Song	D12/162

* cited by examiner

Primary Examiner — Katrina A Betton

(74) *Attorney, Agent, or Firm* — McDonald Hopkins LLC

(**) Term: **15 Years**

(21) Appl. No.: **29/614,522**

(22) Filed: **Aug. 21, 2017**

(51) **LOC (12) Cl.** **12-16**

(52) **U.S. Cl.**
USPC **D12/162**

(58) **Field of Classification Search**
USPC D12/162, 160, 161, 159
CPC . B60D 1/60; B60D 1/065; B60D 1/00; B60D
1/06
See application file for complete search history.

(56) **References Cited**

U.S. PATENT DOCUMENTS

D797,010 S *	9/2017	Verboeket	D12/162
D800,611 S *	10/2017	Ramirez, Jr.	D12/162

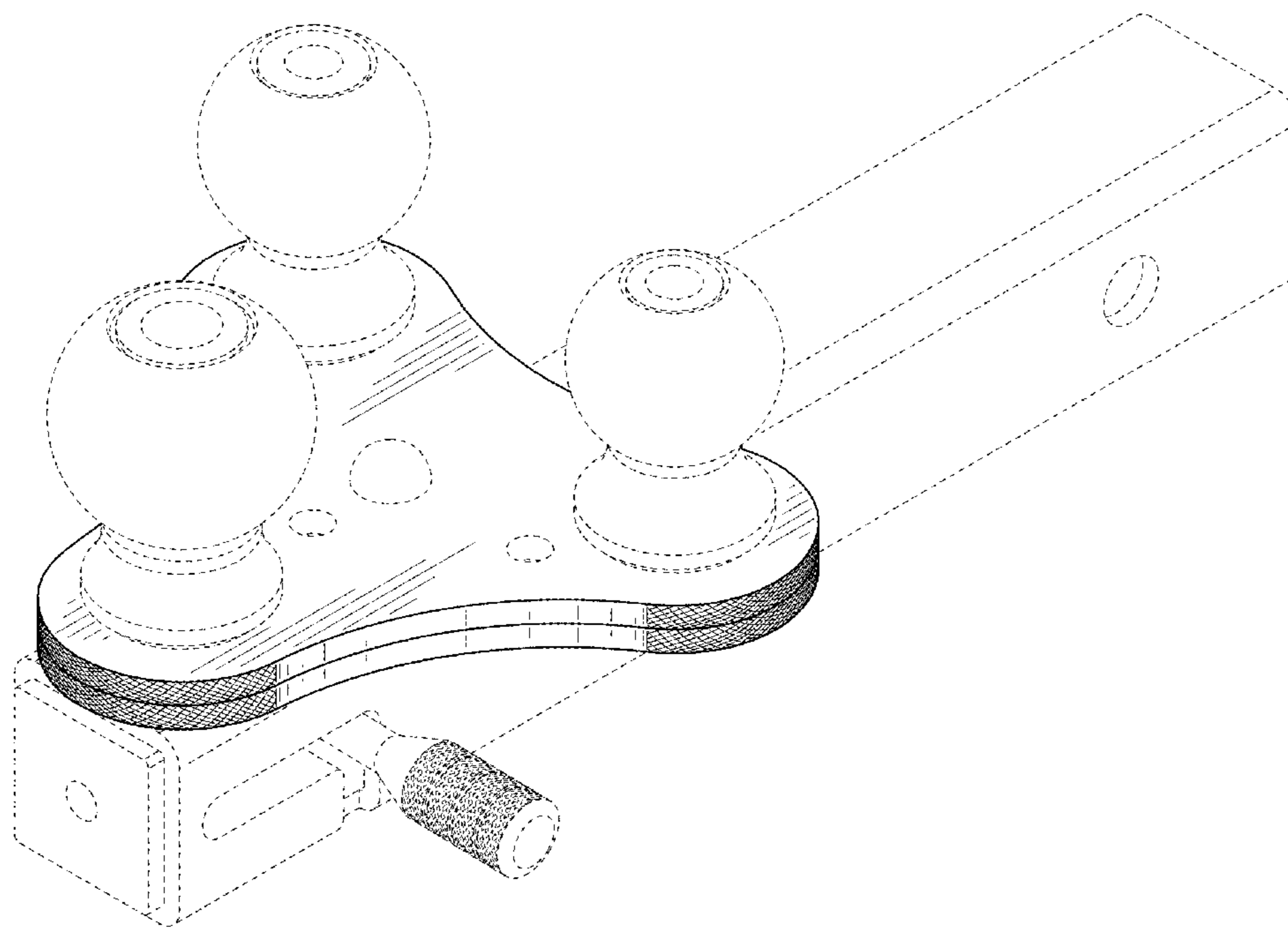
(57) **CLAIM**

The ornamental design for a rotating hitch assembly, as shown and described.

DESCRIPTION

FIG. 1 is a perspective view of a rotating hitch assembly showing our new design; FIG. 2 is a first side view of FIG. 1 thereof; FIG. 3 is a second side view of FIG. 1 thereof; FIG. 4 is a rear side view of FIG. 1 thereof; FIG. 5 is a front side view of FIG. 1 thereof; FIG. 6 is a top view of FIG. 1 thereof; and, FIG. 7 is a bottom view of FIG. 1 thereof. The broken lines in the figures are included for the purpose of illustrating portions of a rotating hitch assembly and form no part of the claimed design.

1 Claim, 6 Drawing Sheets



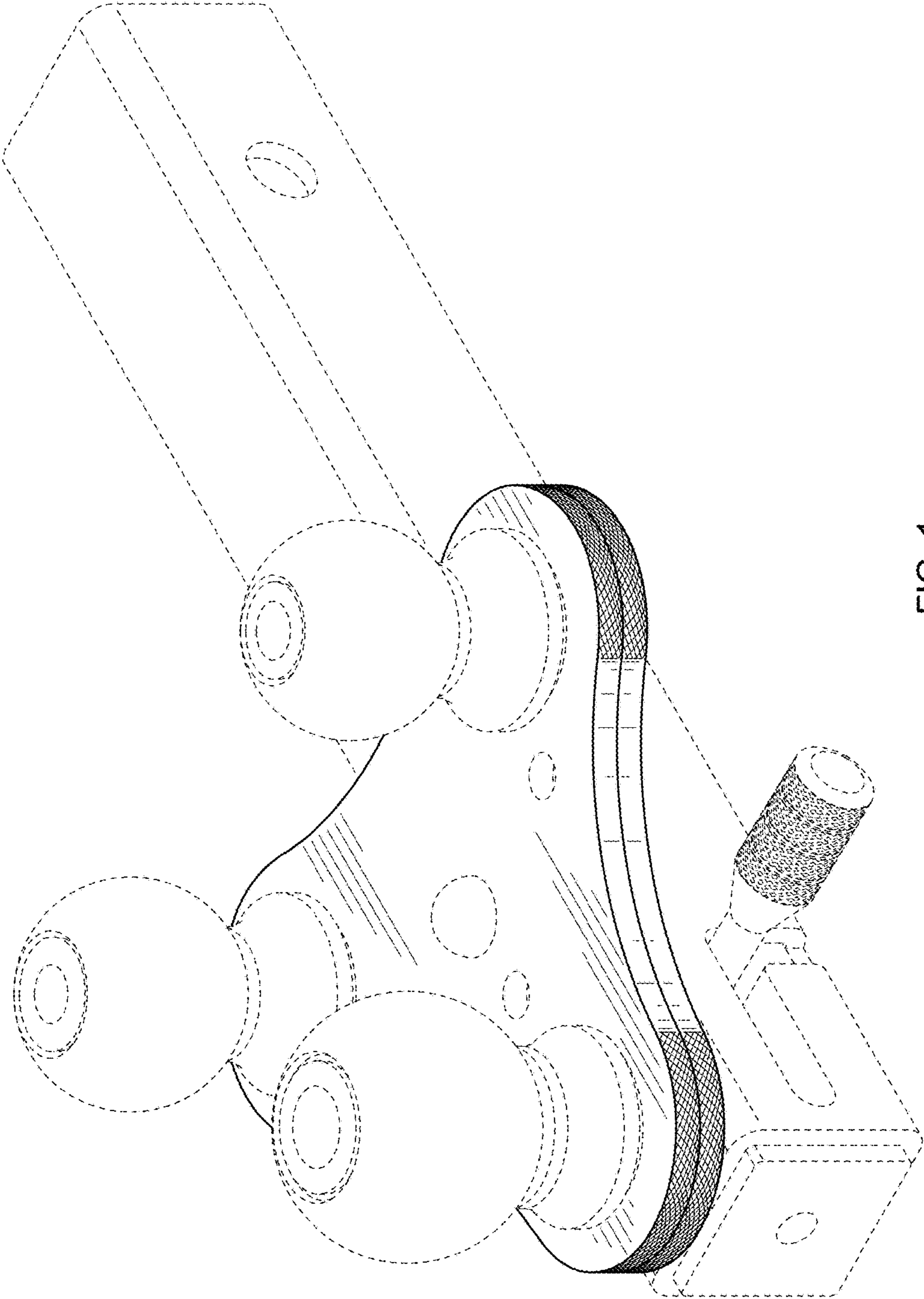


FIG. 1

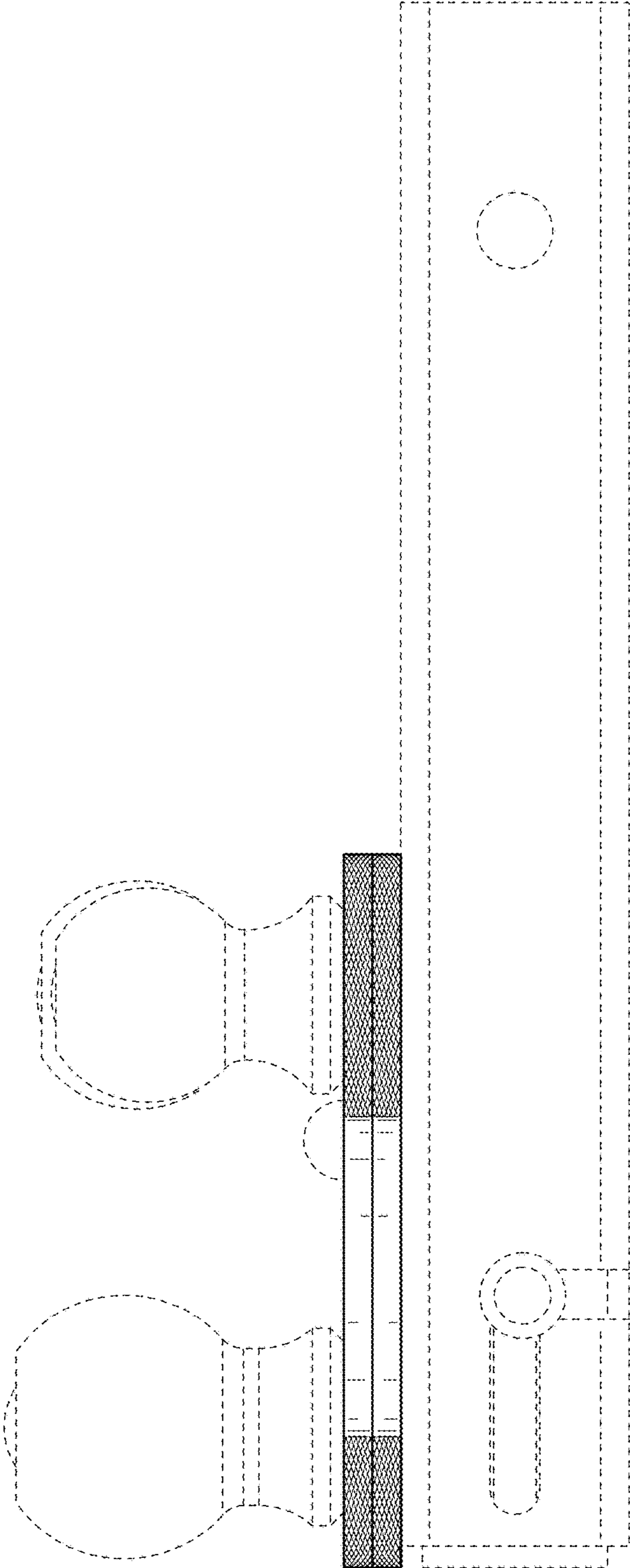


FIG. 2

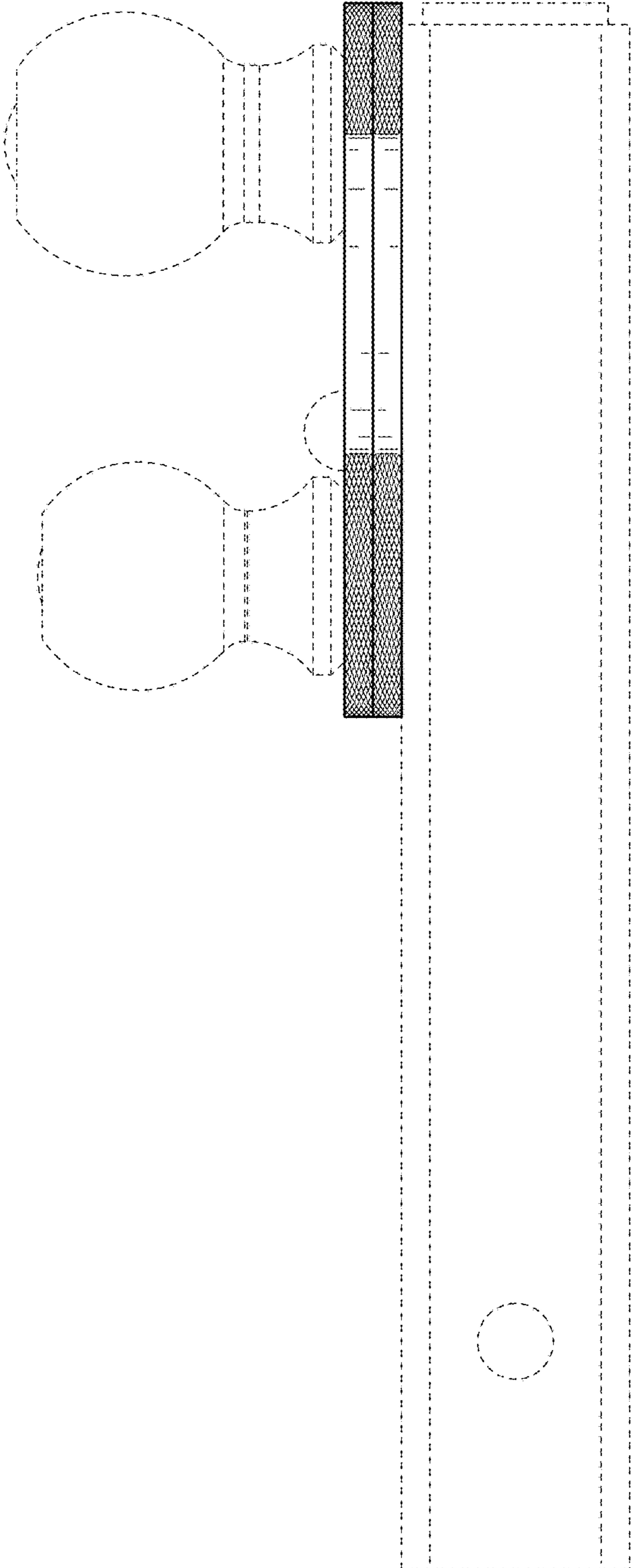


FIG. 3

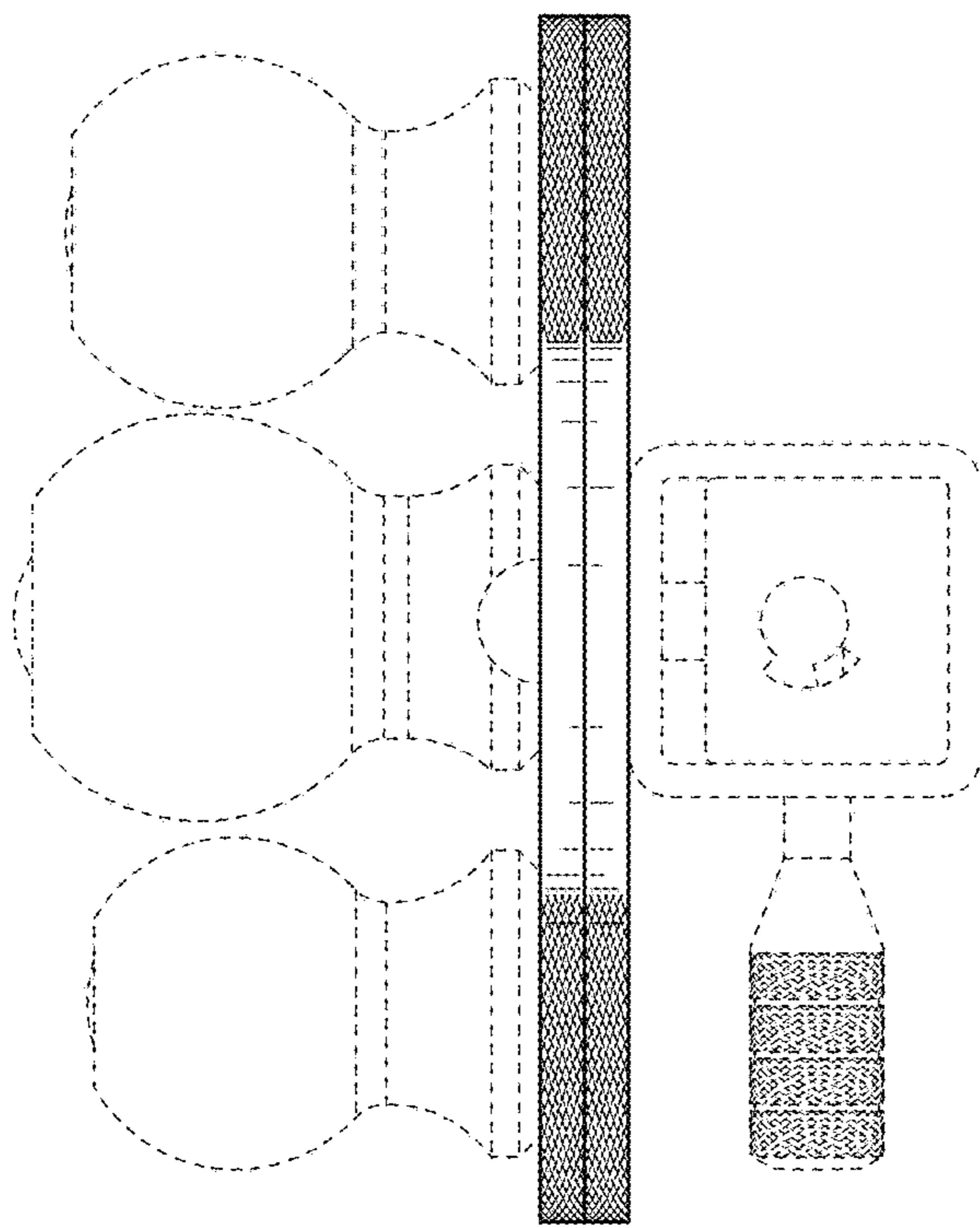


FIG. 4

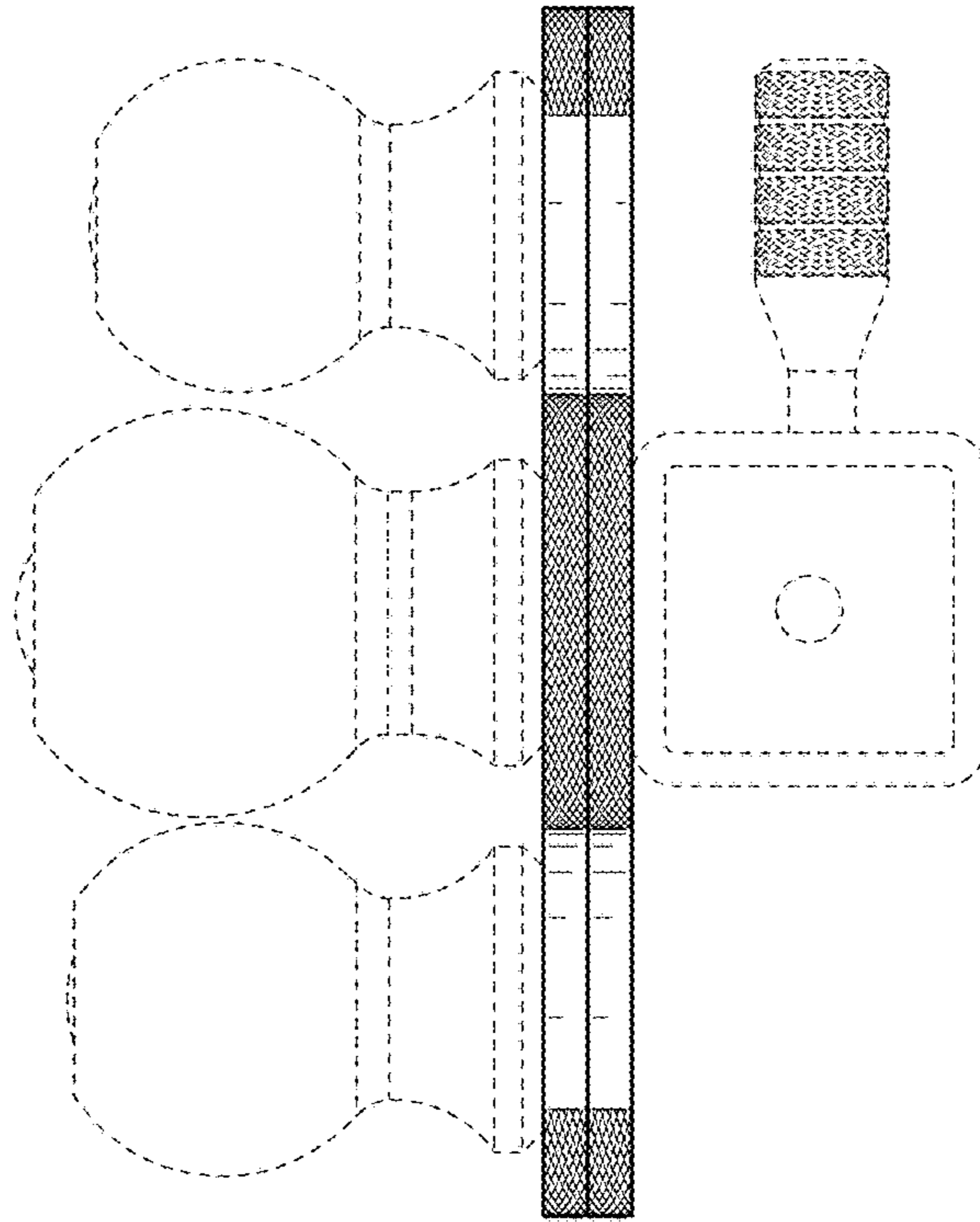


FIG. 5

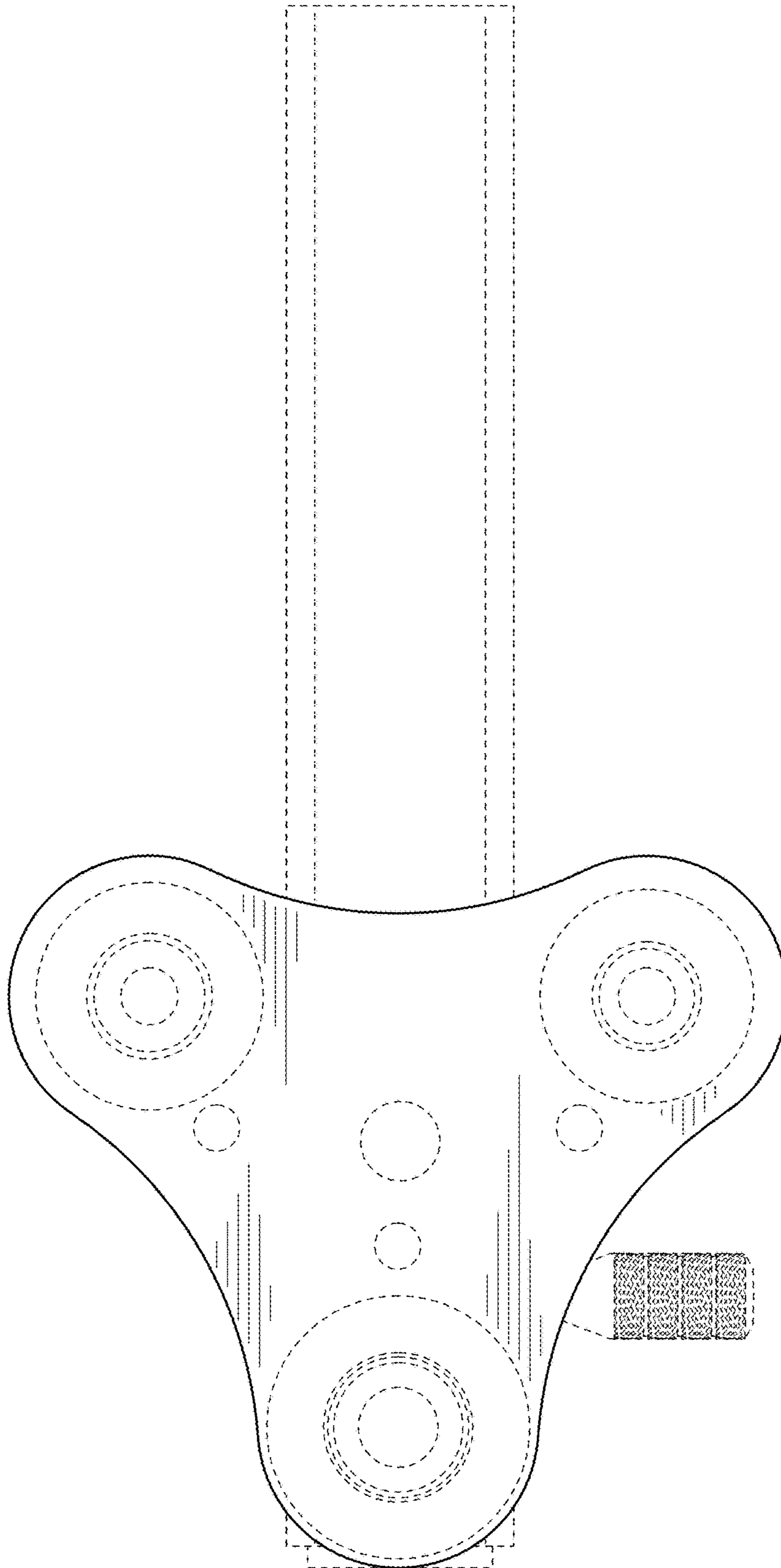


FIG. 6

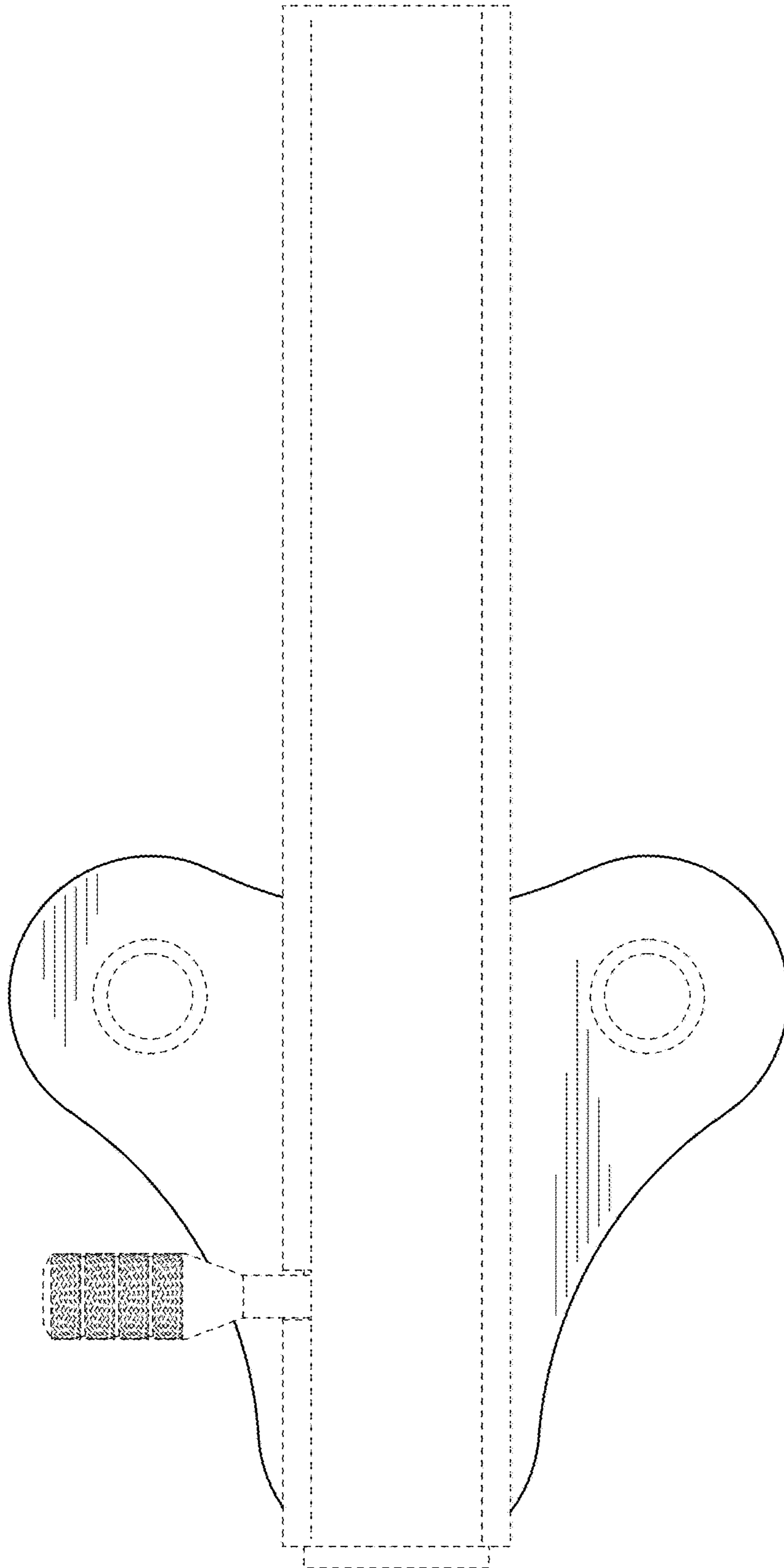


FIG. 7