



US00D858366S

(12) **United States Design Patent** (10) **Patent No.:** **US D858,366 S**  
**VanAusdall** (45) **Date of Patent:** **\*\* Sep. 3, 2019**

- (54) **WRAP AROUND WALKING AID**
- (71) Applicant: **A Better Walker, LLC**, Loveland, CO (US)
- (72) Inventor: **Jack Paul VanAusdall**, Loveland, CO (US)
- (73) Assignee: **A Better Walker, LLC**, Loveland, CO (US)
- (\*\*) Term: **15 Years**
- (21) Appl. No.: **29/642,442**
- (22) Filed: **Mar. 29, 2018**
- (51) **LOC (12) Cl.** ..... **12-12**
- (52) **U.S. Cl.**  
USPC ..... **D12/130**
- (58) **Field of Classification Search**  
USPC ..... D12/128-133  
CPC ..... A61H 3/00; A61H 3/04; A61H 2003/001-007; A61H 2003/043; A61H 2003/046  
See application file for complete search history.

(56) **References Cited**

**U.S. PATENT DOCUMENTS**

- 2,362,466 A 11/1944 Carter
  - 4,748,994 A 6/1988 Schultz
  - 5,020,560 A 6/1991 Turbeville
- (Continued)

**FOREIGN PATENT DOCUMENTS**

- WO WO 2016/073066 A1 5/2016

**OTHER PUBLICATIONS**

International Search Report and Written Opinion, PCT/US2015/048073, dated Dec. 22, 2015.

(Continued)

*Primary Examiner* — Charles D Hanson  
(74) *Attorney, Agent, or Firm* — Polsinelli PC

(57) **CLAIM**

The ornamental design for a wrap around walking aid, as shown and described.

**DESCRIPTION**

FIG. 1 is a front isometric view of a wrap around walking aid in a first orientation.  
 FIG. 2 is a back isometric view of the wrap around walking aid in the first orientation.  
 FIG. 3 is a front view of the wrap around walking aid in the first orientation.  
 FIG. 4 is a back view of the wrap around walking aid in the first orientation.  
 FIG. 5 is a right side view of the wrap around walking aid in the first orientation.  
 FIG. 6 is a left side view of the wrap around walking aid in the first orientation.  
 FIG. 7 is a top view of the wrap around walking aid in the first orientation.  
 FIG. 8 is a bottom view of the wrap around walking aid in the first orientation.  
 FIG. 9 is a front isometric view of a wrap around walking aid in a second orientation.  
 FIG. 10 is a back isometric view of the wrap around walking aid in the second orientation.  
 FIG. 11 is a front view of the wrap around walking aid in the second orientation.  
 FIG. 12 is a back view of the wrap around walking aid in the second orientation.  
 FIG. 13 is a right side view of the wrap around walking aid in the second orientation.  
 FIG. 14 is a left side view of the wrap around walking aid in the second orientation.  
 FIG. 15 is a top view of the wrap around walking aid in the second orientation; and,  
 FIG. 16 is a bottom view of the wrap around walking aid in the second orientation.

**1 Claim, 14 Drawing Sheets**



(56)

References Cited

U.S. PATENT DOCUMENTS

5,224,717 A 7/1993 Lowen  
 5,499,856 A 3/1996 Sorrell  
 5,605,169 A 2/1997 Light  
 5,702,326 A 12/1997 Renteria  
 5,741,020 A 4/1998 Harroun  
 6,733,018 B2 5/2004 Razon  
 7,669,863 B2 3/2010 Steiner  
 8,061,376 B2 11/2011 Ryan  
 8,251,079 B1 8/2012 Lutz  
 8,468,622 B2 6/2013 Purwar  
 8,584,689 B2 11/2013 Catton  
 8,708,363 B1 4/2014 Chang  
 8,851,502 B2 10/2014 Gaudiano  
 8,936,262 B2 1/2015 Nabeta  
 8,998,223 B2 4/2015 Chang  
 D739,314 S \* 9/2015 Wang ..... D12/130  
 9,149,408 B2 10/2015 Karlovich  
 9,173,802 B2 11/2015 Willis  
 9,180,066 B2 11/2015 Izard et al.  
 9,226,868 B2 \* 1/2016 Andersen ..... A61H 3/04  
 D754,034 S \* 4/2016 Wang ..... D12/130  
 D754,568 S \* 4/2016 Wang ..... D12/130  
 9,314,395 B1 4/2016 VanAusdall  
 9,381,132 B2 \* 7/2016 Chen ..... A61H 3/04  
 9,585,807 B2 3/2017 Fellingham et al.

9,687,411 B2 \* 6/2017 Chen ..... A61H 3/04  
 9,763,849 B2 \* 9/2017 Paterson ..... A61H 3/04  
 9,839,571 B2 \* 12/2017 Pan ..... A47C 4/04  
 D807,793 S \* 1/2018 Paterson ..... D12/130  
 9,877,889 B2 \* 1/2018 Chen ..... A61H 3/04  
 9,907,723 B2 \* 3/2018 Bisceglia ..... A61H 3/04  
 D814,363 S 4/2018 VanAusdall  
 9,968,509 B2 \* 5/2018 Andersen ..... A61H 3/04  
 9,974,708 B1 \* 5/2018 Janeczek ..... A61H 3/04  
 2002/0153684 A1 10/2002 Sung  
 2004/0079405 A1 4/2004 Sanders  
 2004/0104559 A1 6/2004 Chen  
 2005/0001398 A1 1/2005 Serhan  
 2005/0156395 A1 7/2005 Bohn  
 2007/0170699 A1 7/2007 Li  
 2007/0267054 A1 11/2007 Meyers  
 2008/0111349 A1 5/2008 Willis  
 2009/0033052 A1 2/2009 Bradshaw  
 2017/0065479 A1 3/2017 Fellingham et al.  
 2017/0231857 A1 8/2017 VanAusdall  
 2017/0258664 A1 9/2017 Purcell

OTHER PUBLICATIONS

Notice of Allowance, U.S. Appl. No. 29/602,235, dated Jan. 23, 2018.

\* cited by examiner



FIG. 1



FIG. 2

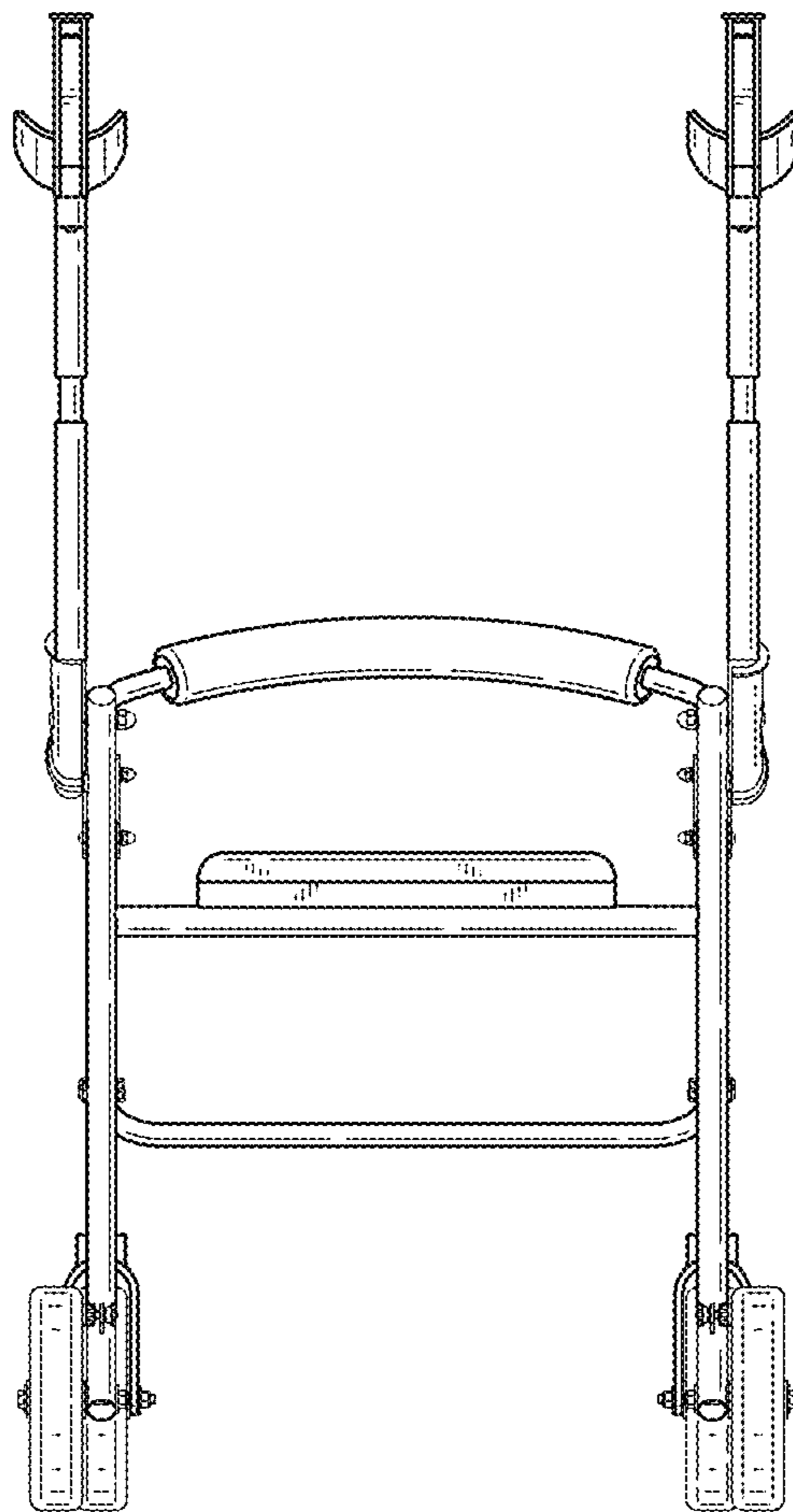


FIG. 3

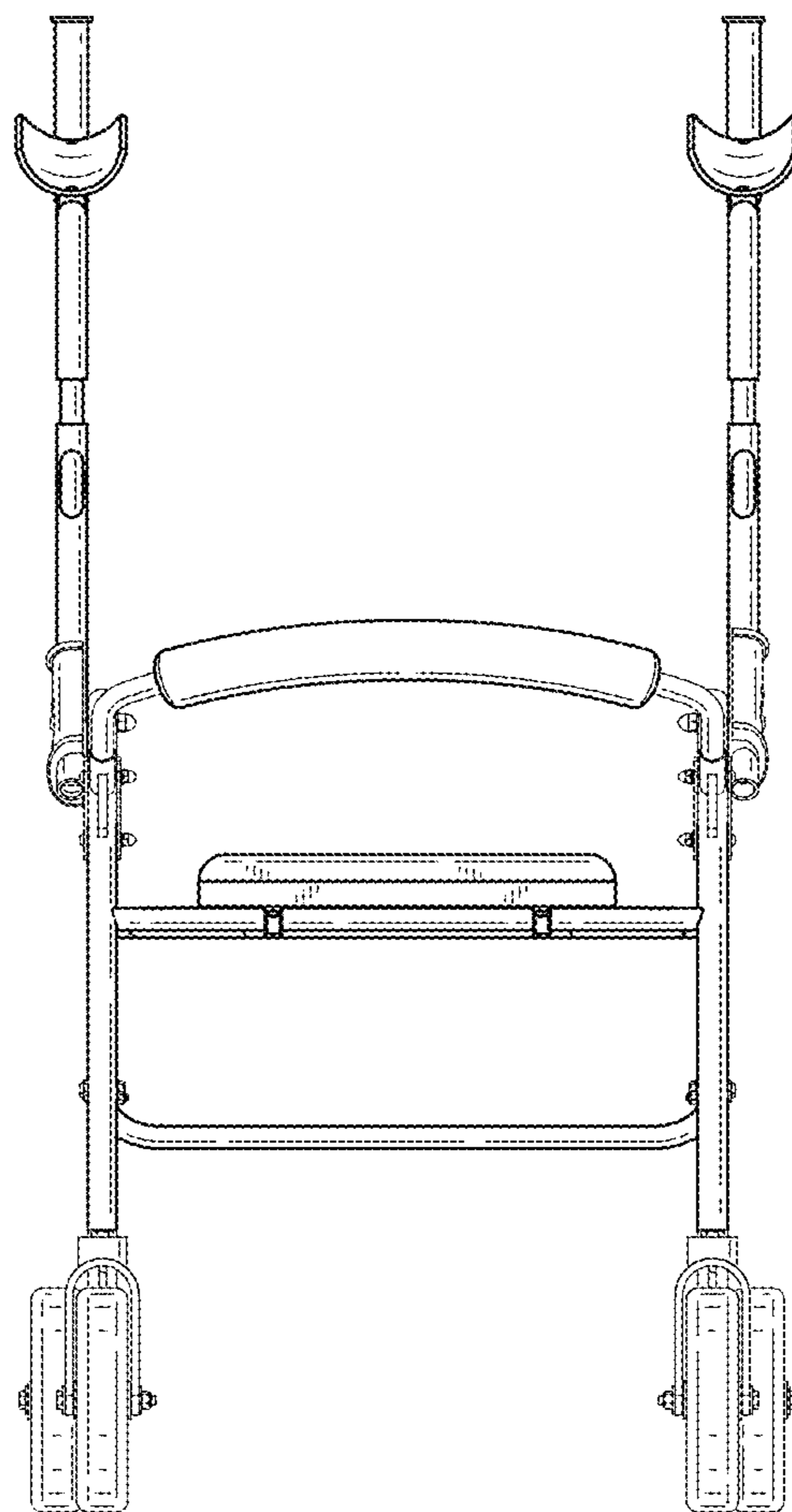


FIG. 4

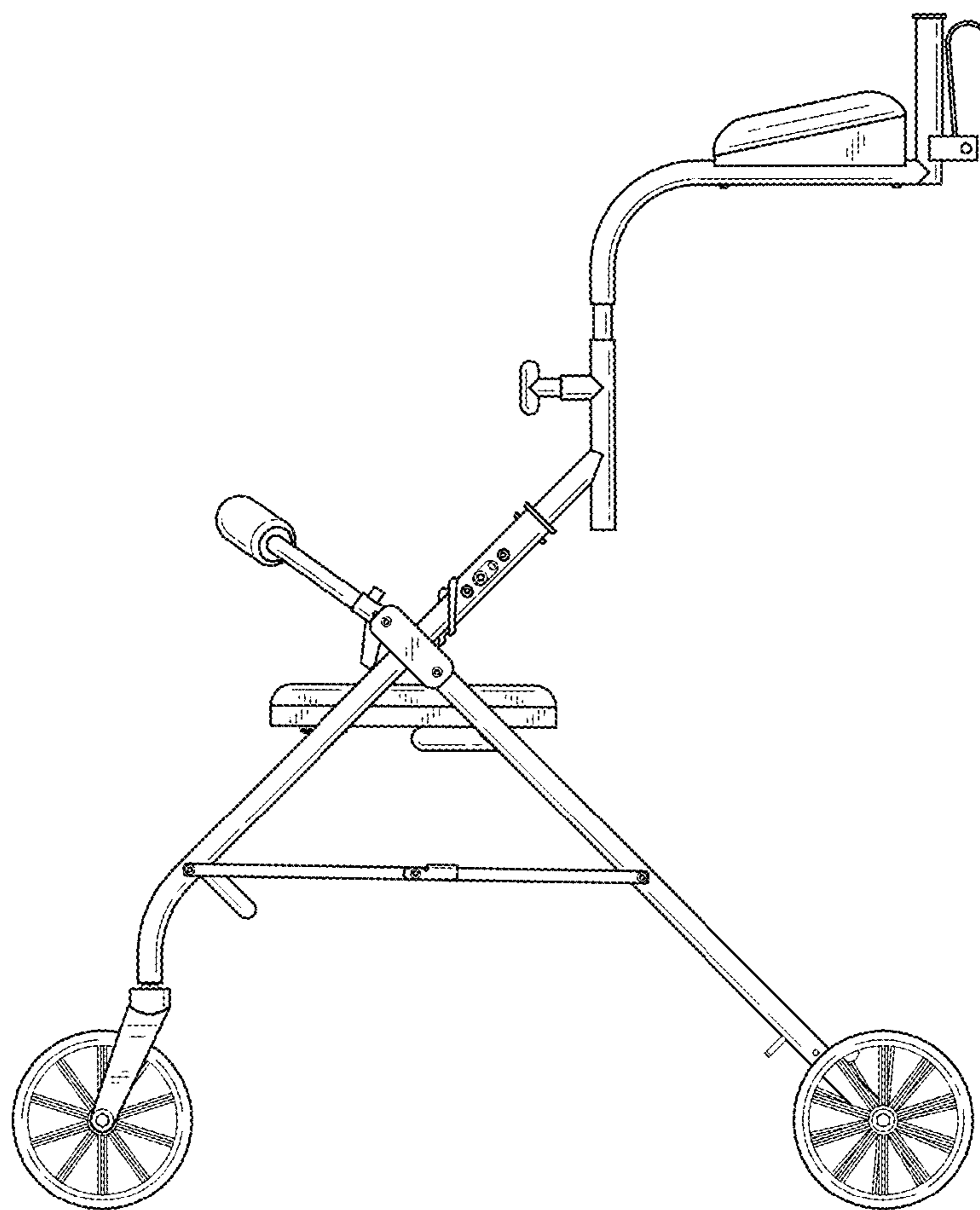


FIG. 5

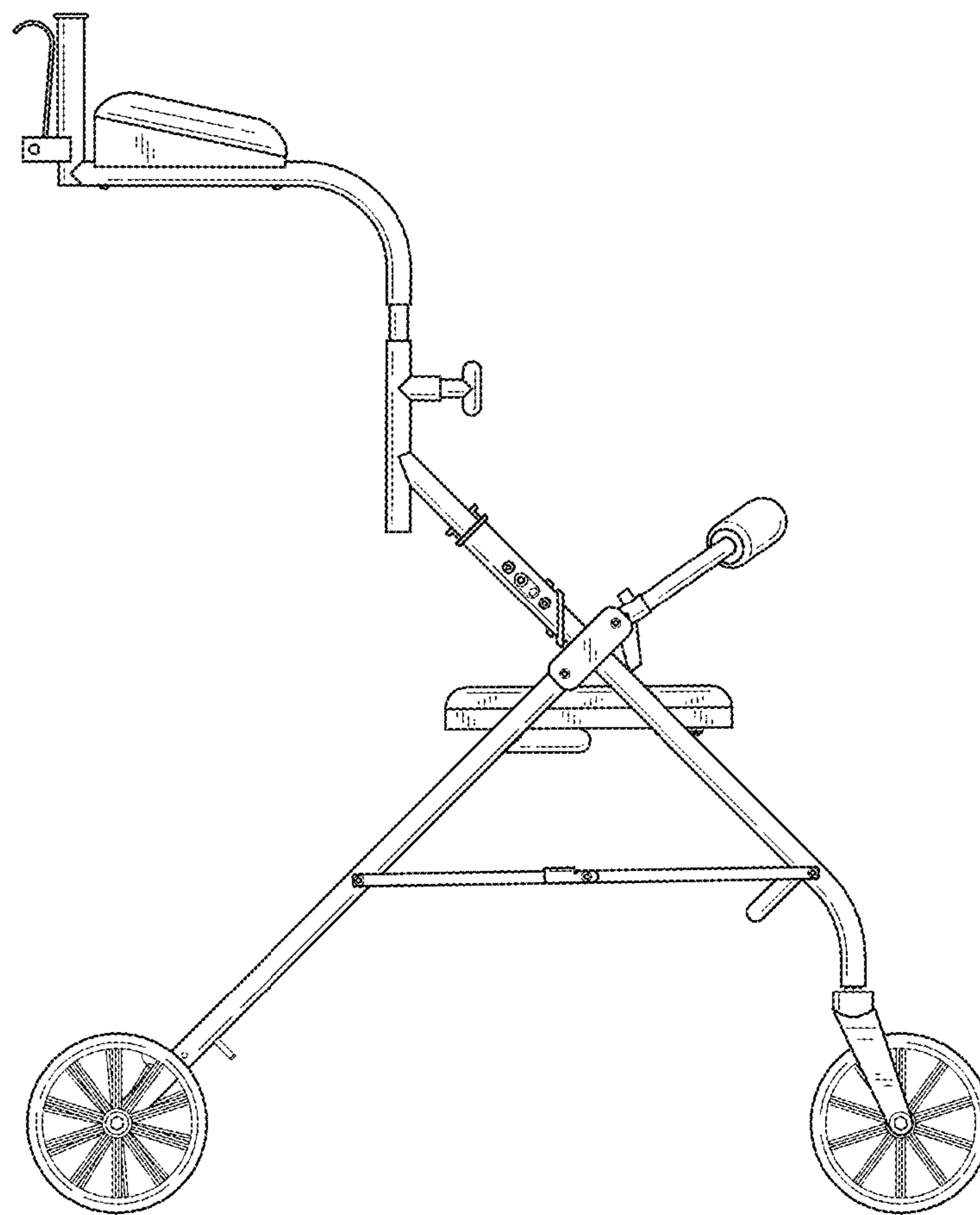


FIG. 6



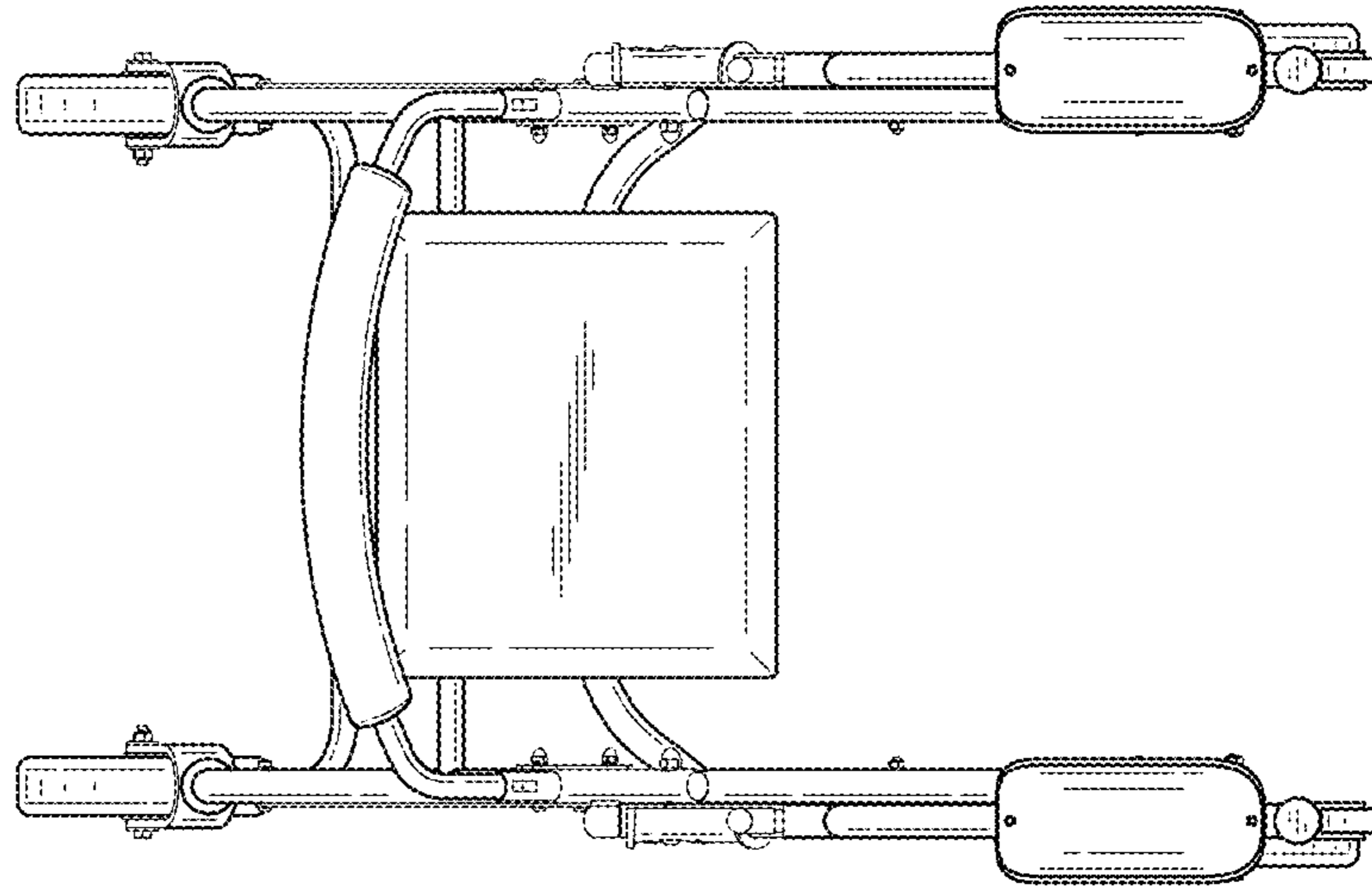


FIG. 7

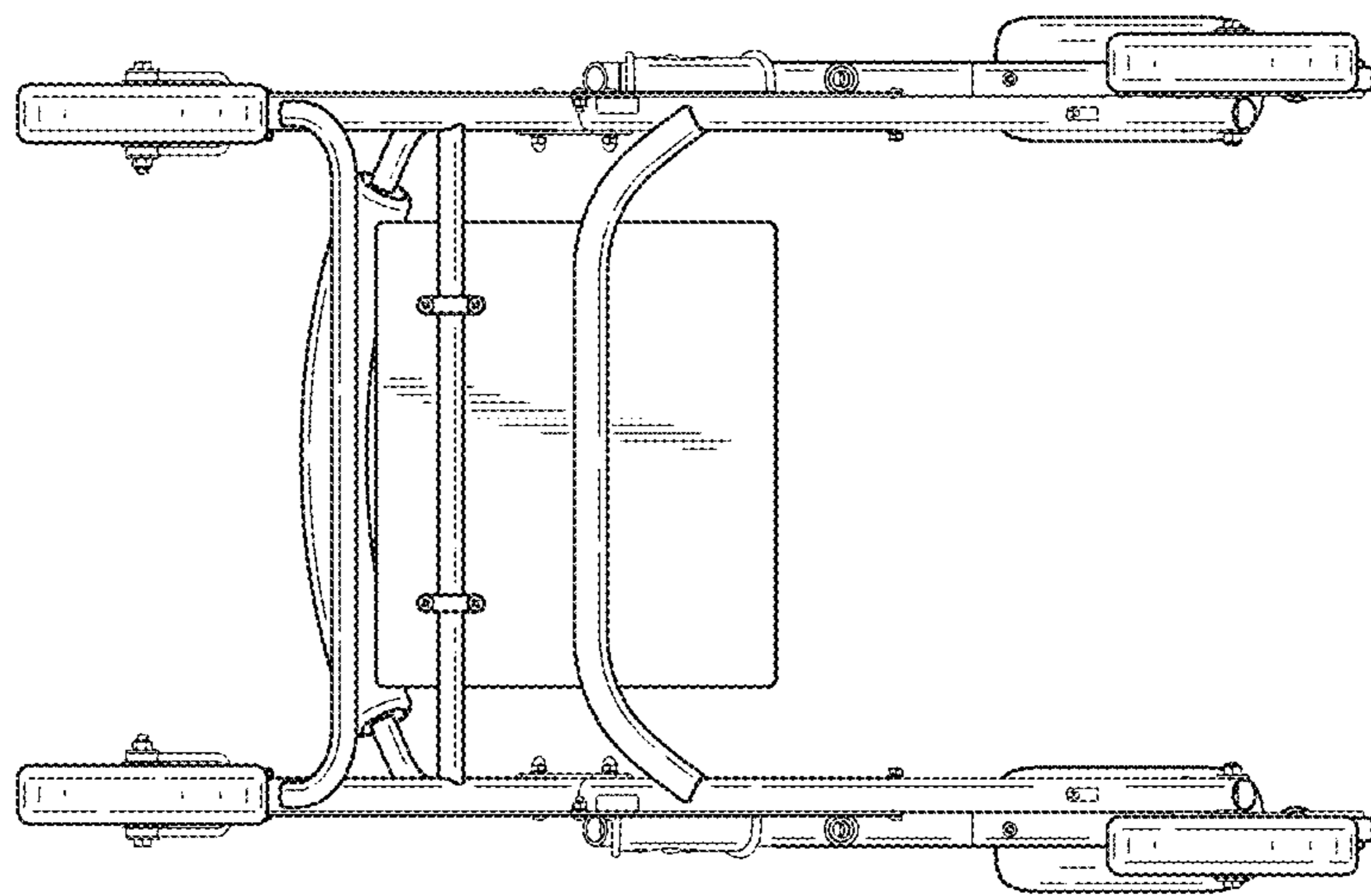


FIG. 8

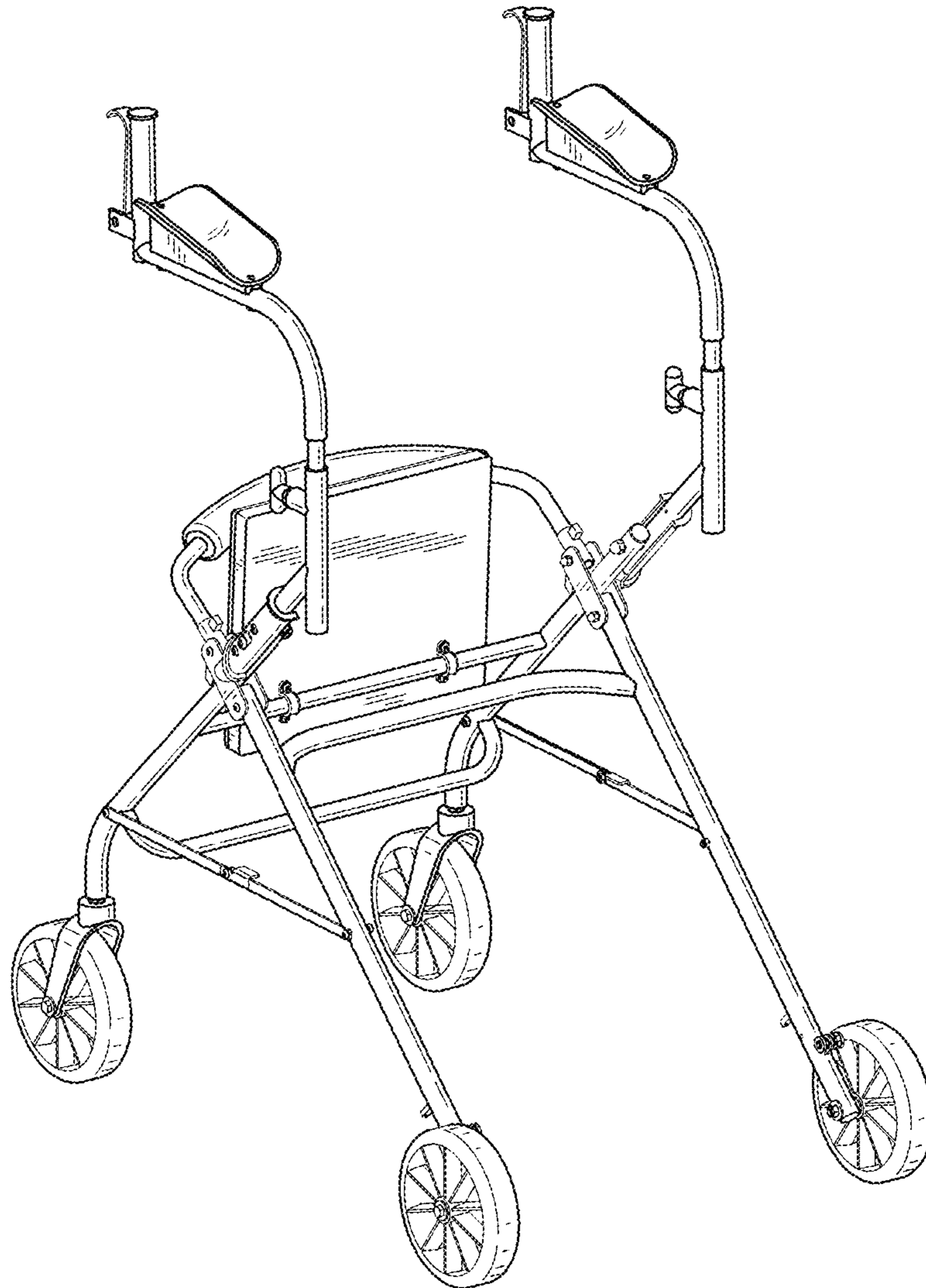


FIG. 9

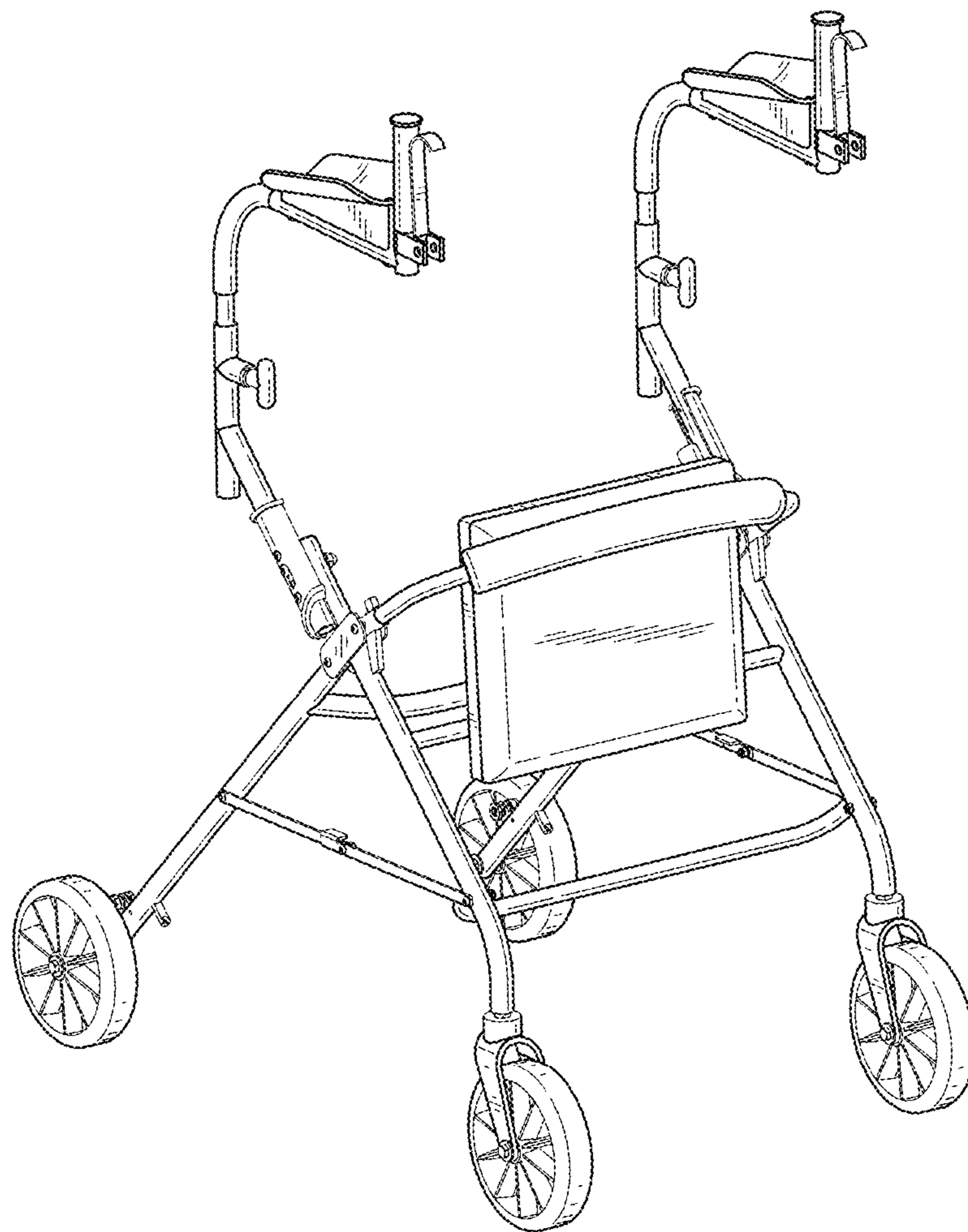


FIG. 10

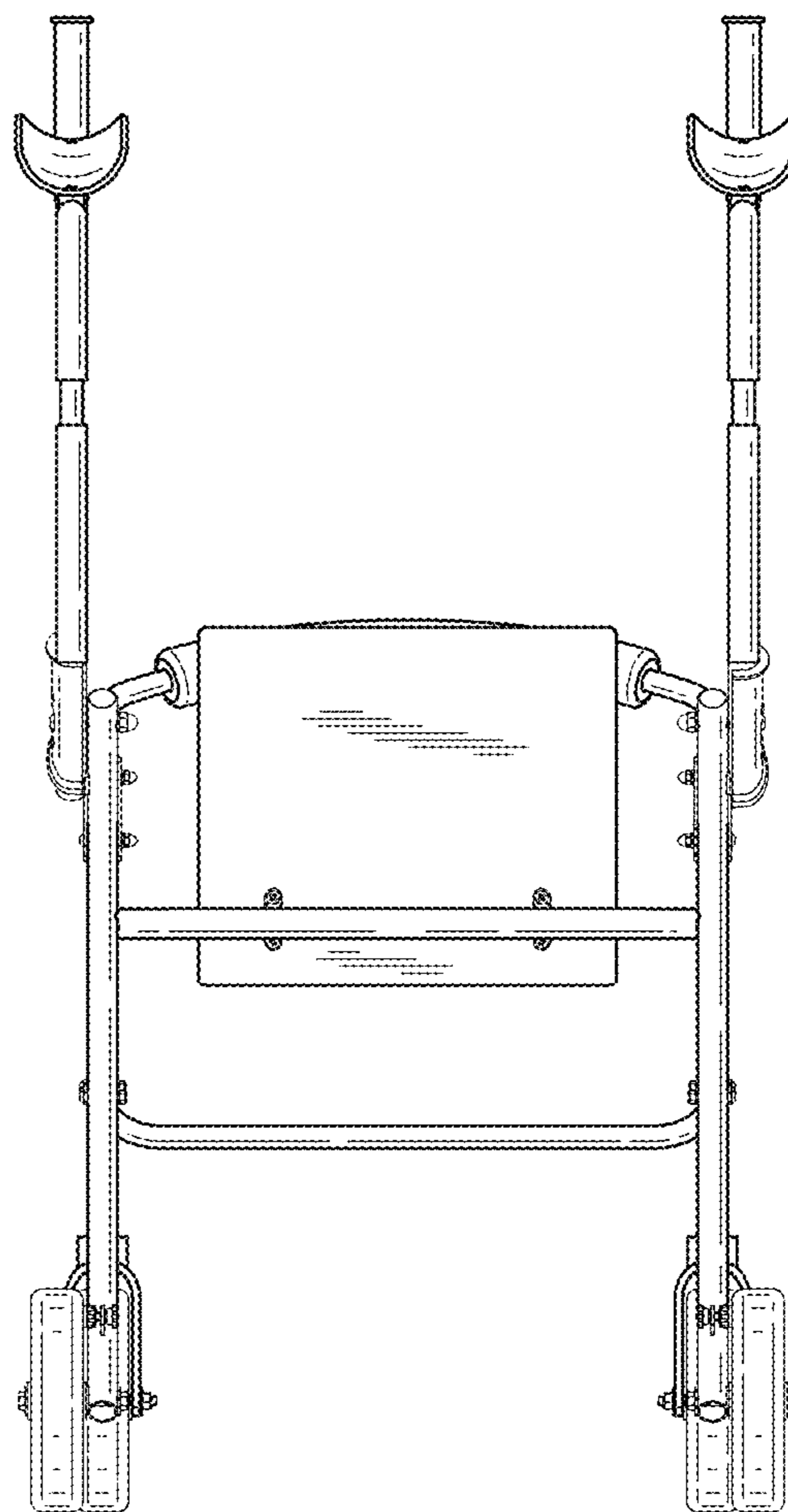


FIG. 11

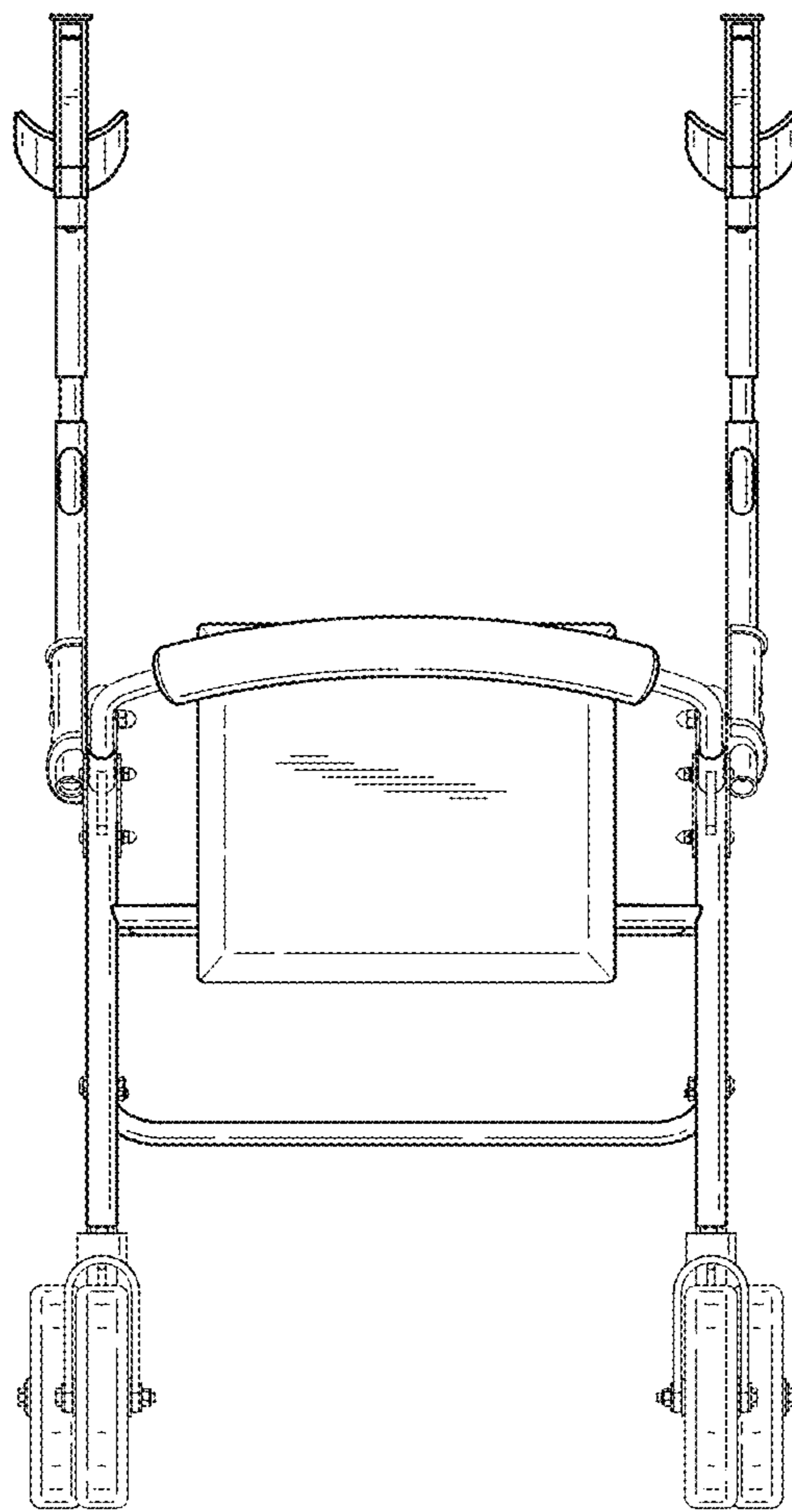


FIG. 12

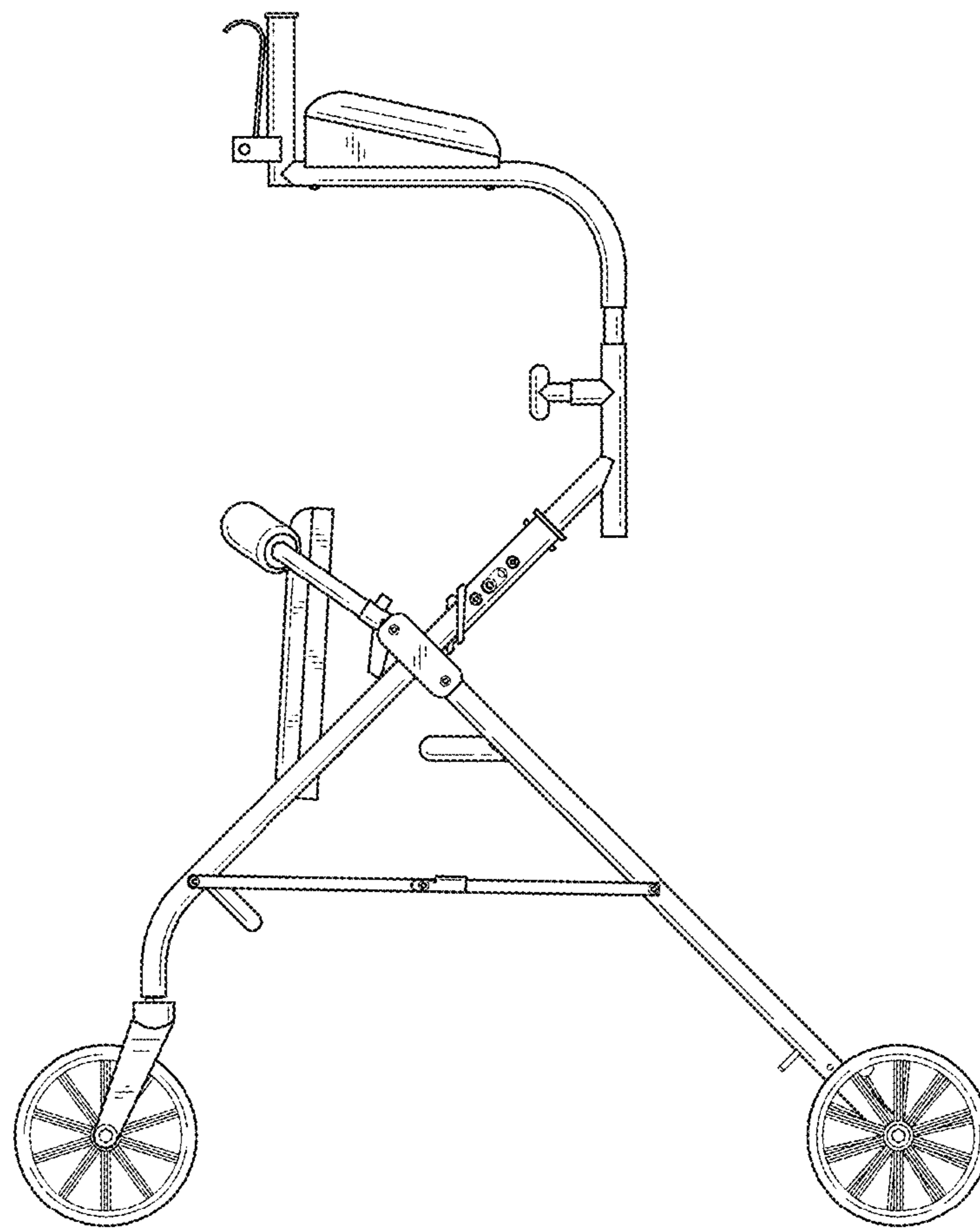


FIG. 13

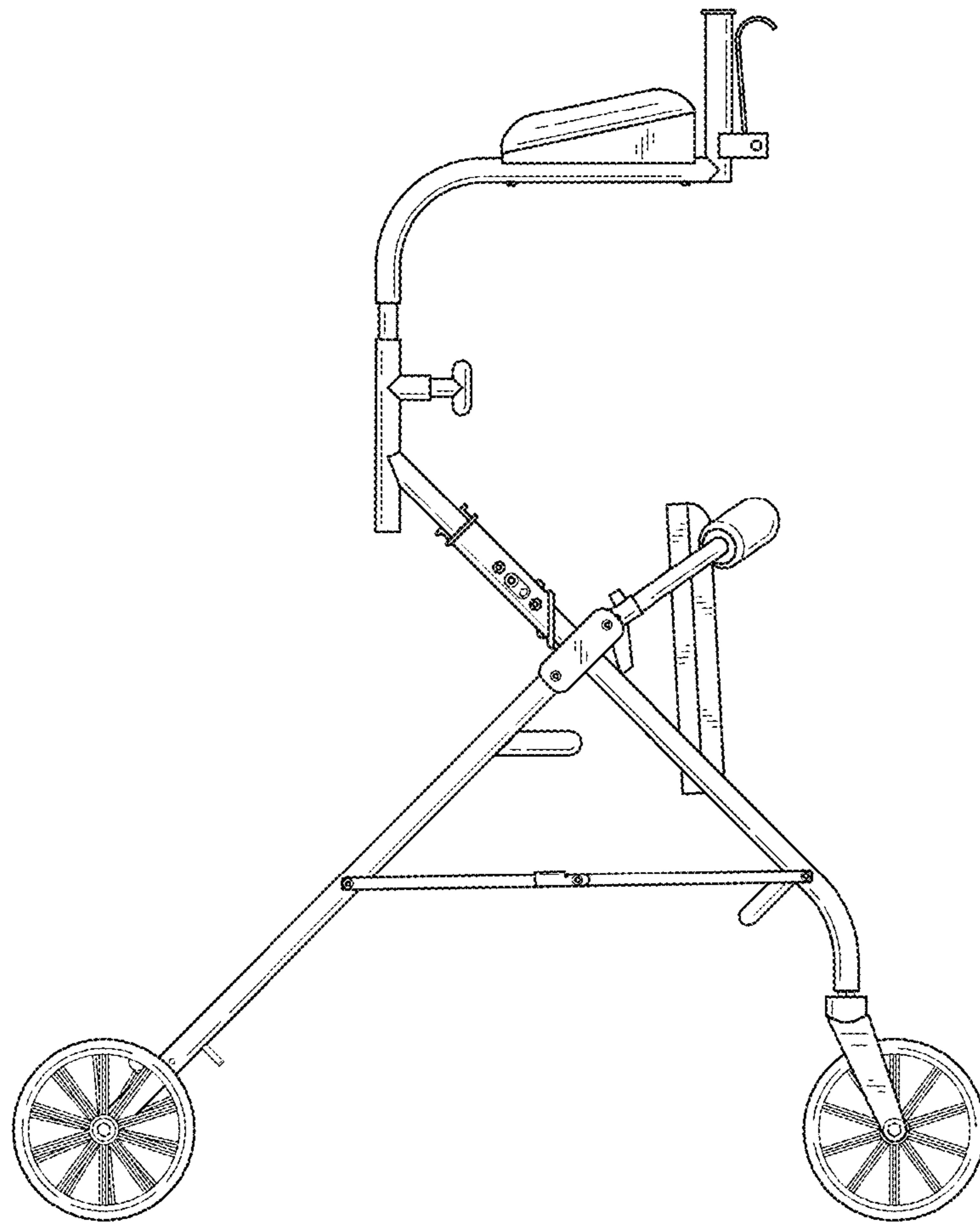


FIG. 14

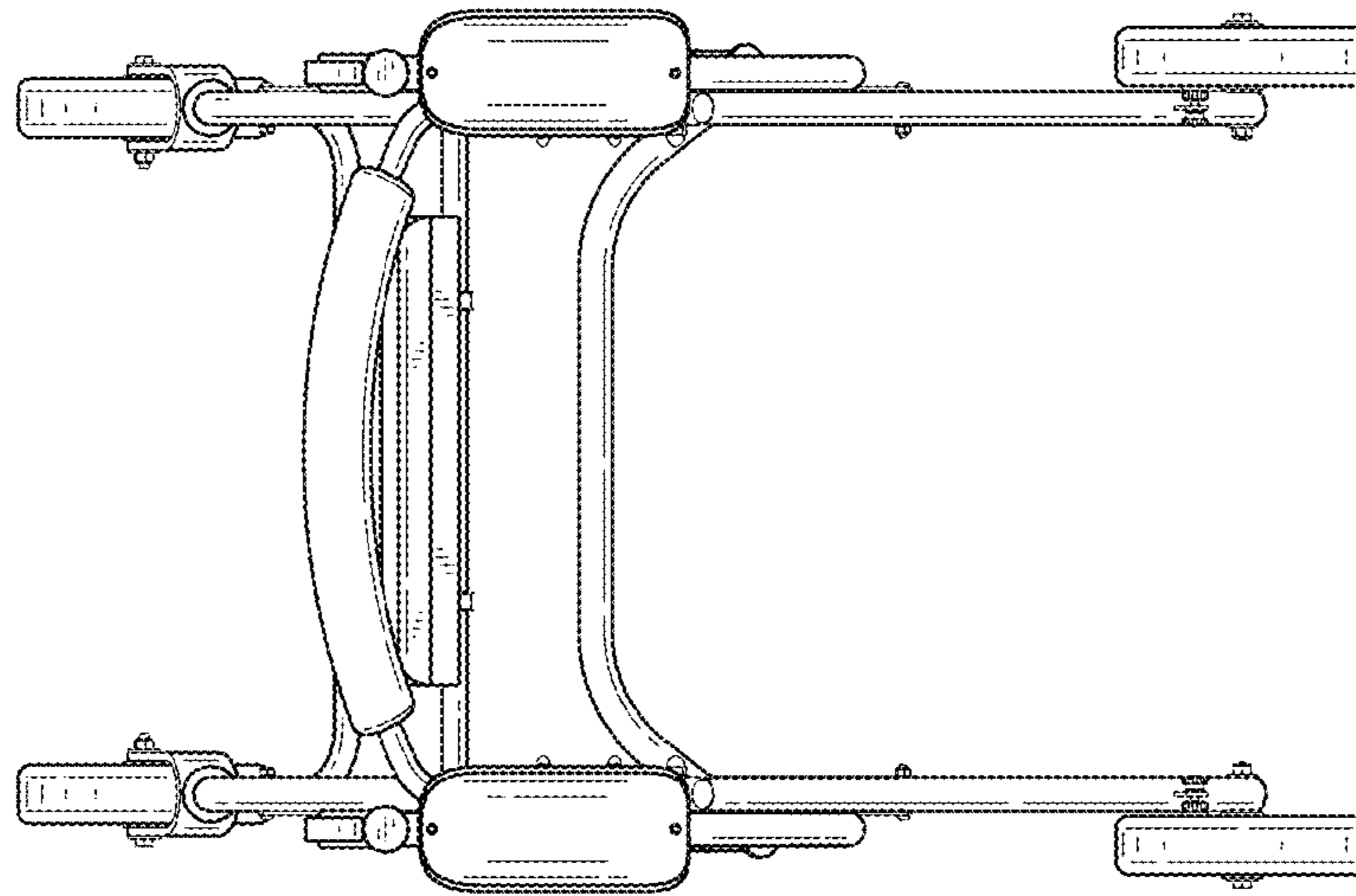


FIG. 15

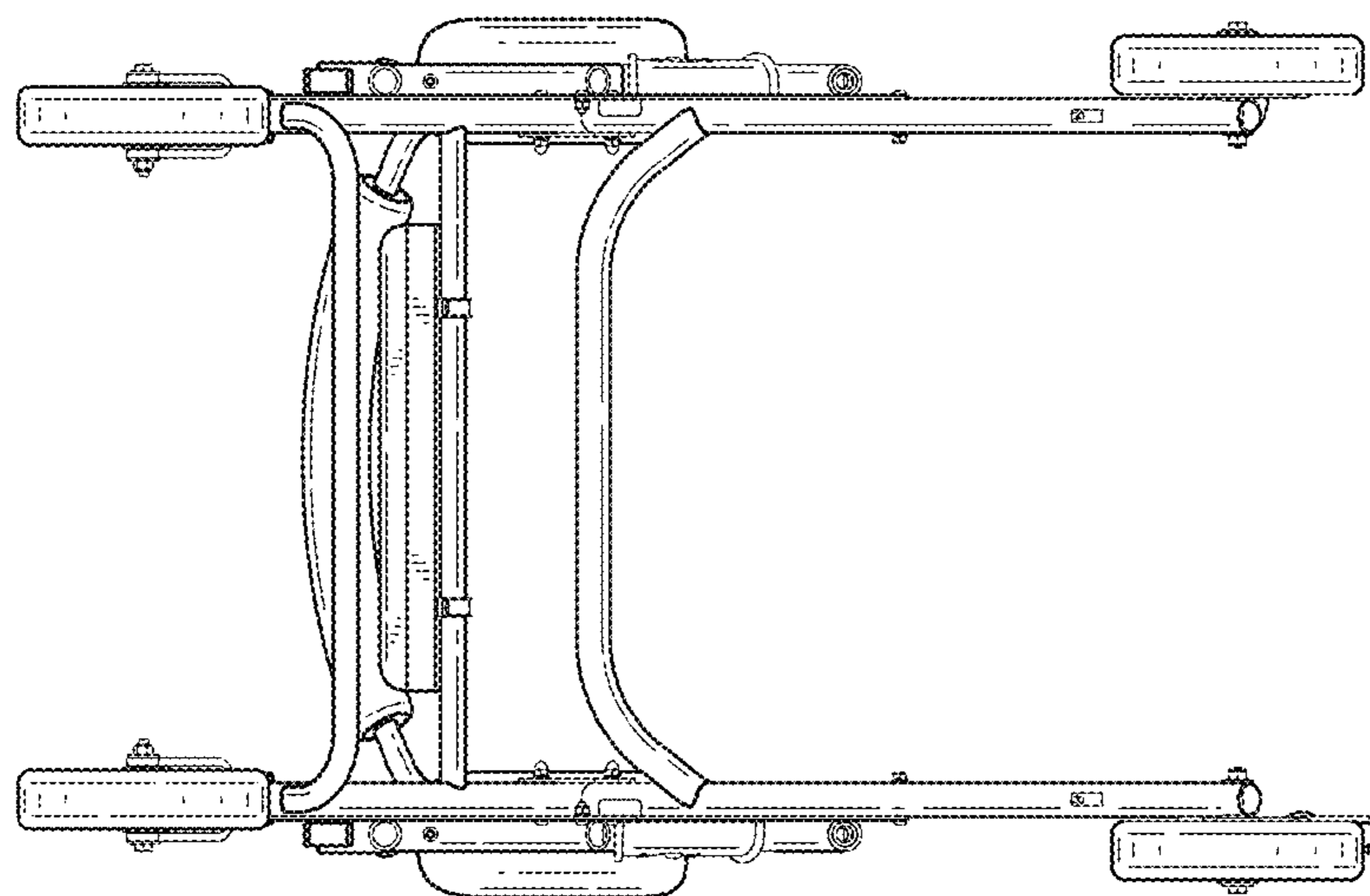


FIG. 16