



US00D858364S

(12) **United States Design Patent**
Barenbrug et al.

(10) **Patent No.:** **US D858,364 S**

(45) **Date of Patent:** **** Sep. 3, 2019**

(54) **STROLLER**

(71) Applicant: **Royalty Bugaboo GmbH**, Zug (CH)

(72) Inventors: **Max Barenbrug**, Amsterdam (NL);
Aernout Dijkstra, Utrecht (NL);
Stephanie Wirth, Amsterdam (NL);
Marco Nieuwenhuizen, Bussum (NL)

(73) Assignee: **Royalty Bugaboo GmbH**, Zug (CH)

(**) Term: **15 Years**

(21) Appl. No.: **29/602,122**

(22) Filed: **Apr. 28, 2017**

(51) **LOC (12) Cl.** **12-12**

(52) **U.S. Cl.**
USPC **D12/129**

(58) **Field of Classification Search**
USPC D12/128–133
CPC B62B 7/00–04; B62B 9/00–28
See application file for complete search history.

(56) **References Cited**

U.S. PATENT DOCUMENTS

D375,707 S *	11/1996	Yang	D12/129
D519,422 S *	4/2006	Huang	D12/129
7,267,359 B1 *	9/2007	Yang	B62B 7/08 280/47.34
7,364,171 B2 *	4/2008	Hu	B60B 1/006 280/47.38
D578,044 S *	10/2008	Chen	D12/129
D596,996 S *	7/2009	Yang	D12/129
D621,306 S *	8/2010	Liao	D12/129
D643,343 S *	8/2011	Song	D12/129
D661,624 S *	6/2012	Stopp	D12/129
D672,692 S *	12/2012	Jane Santamaria	D12/129

D677,605 S *	3/2013	Ide	D12/129
2003/0111825 A1 *	6/2003	Lo	B62B 7/145 280/642
2005/0098982 A1 *	5/2005	Huang	B62B 7/08 280/642

OTHER PUBLICATIONS

Royalty Bugaboo GmbH, "Bugaboo Buffalo MC The Stroller," a photograph (landscape) showing the bugaboo buffalo stroller, 2014, 1 page.

Royalty Bugaboo GmbH, "Bugaboo Buffalo MC The Stroller," a photograph (portrait) showing the bugaboo buffalo stroller, 2014, 1 page.

(Continued)

Primary Examiner — Charles D Hanson

(74) *Attorney, Agent, or Firm* — Fross Zelnick Lehrman & Zissu, P.C.; Charles T. J. Weigell, Esq.

(57) **CLAIM**

The ornamental design for a stroller, as shown and described.

DESCRIPTION

FIG. 1 is a front perspective view of a stroller with carrycot showing our new design;

FIG. 2 is a right side view thereof;

FIG. 3 is a left side view thereof;

FIG. 4 is a front view thereof;

FIG. 5 is a back view thereof;

FIG. 6 is a top view thereof;

FIG. 7 is a bottom view thereof;

FIG. 8 is a front perspective view of the stroller with seat;

FIG. 9 is a right side view thereof;

FIG. 10 is a left side view thereof;

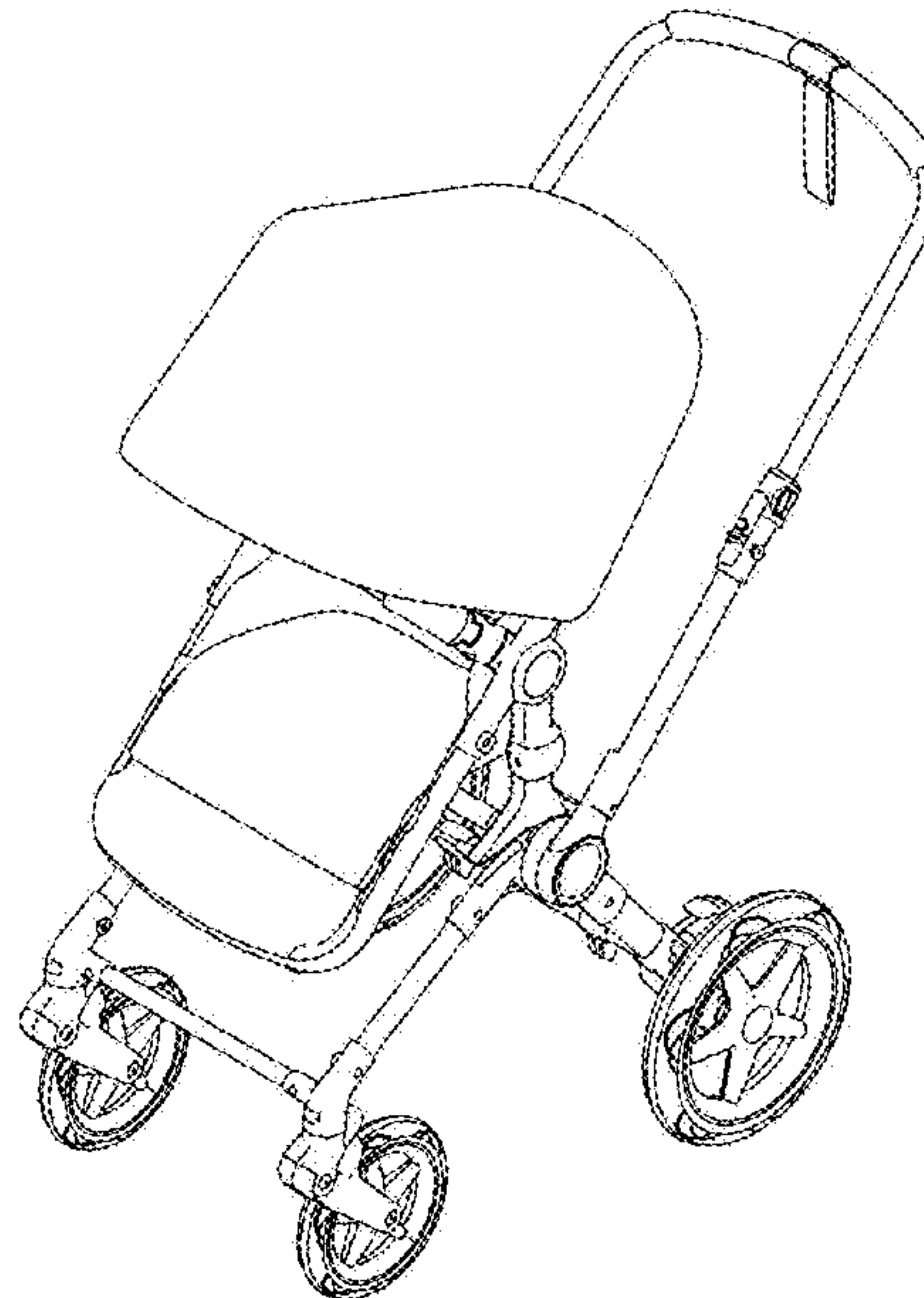
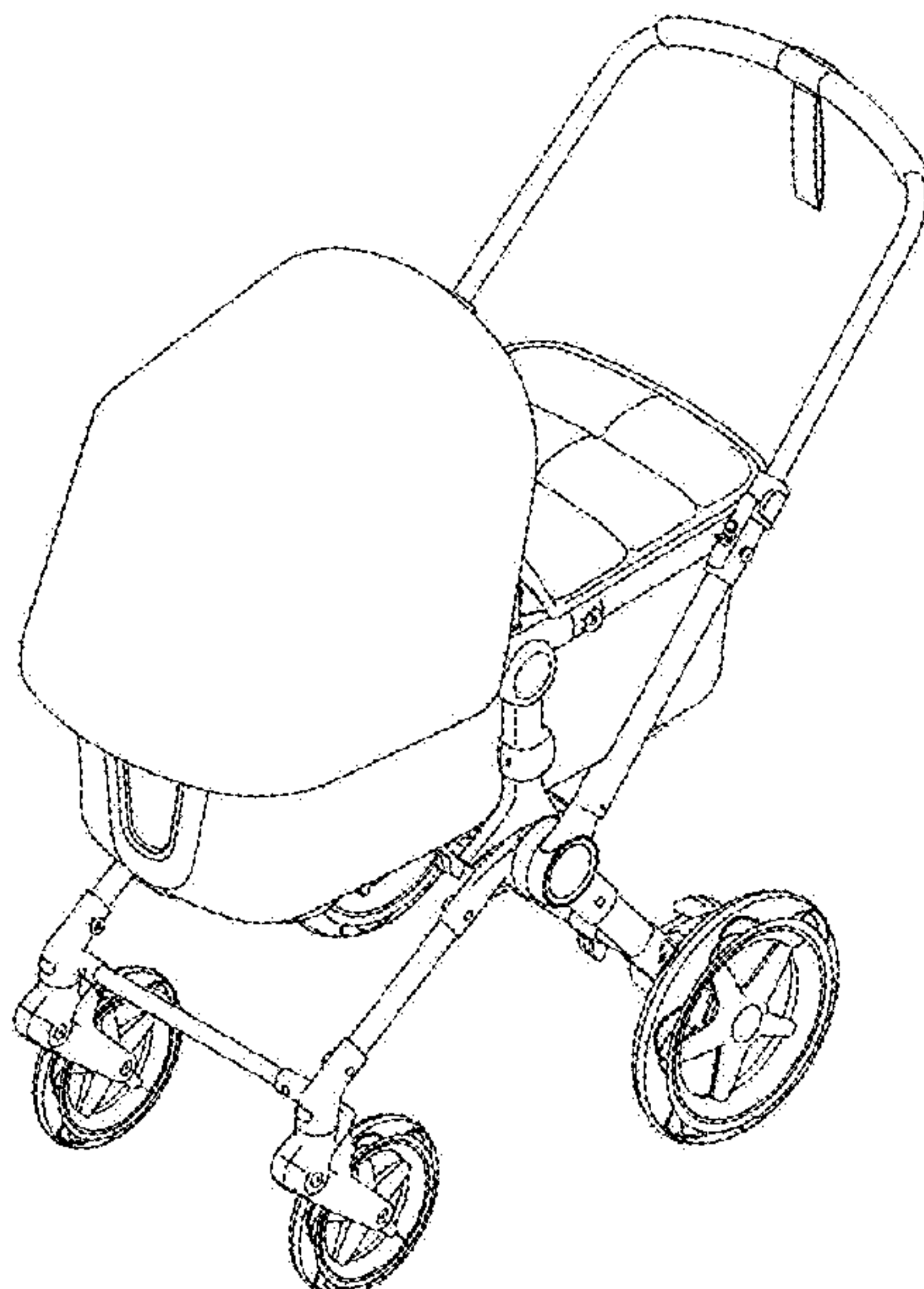
FIG. 11 is a front view thereof;

FIG. 12 is a back view thereof;

FIG. 13 is a top view thereof; and,

FIG. 14 is a bottom view thereof.

1 Claim, 14 Drawing Sheets



(56)

References Cited

OTHER PUBLICATIONS

Royalty Bugaboo GmbH, "Bugaboo Cameleon3 MC The Stroller,"
a photograph (landscape) showing the bugaboo cameleon3 stroller,
2014, 1 page.

Royalty Bugaboo GmbH, "Bugaboo Cameleon3 MC The Stroller"
a photograph (portrait) showing the bugaboo cameleon3 stroller,
2014, 1 page.

* cited by examiner

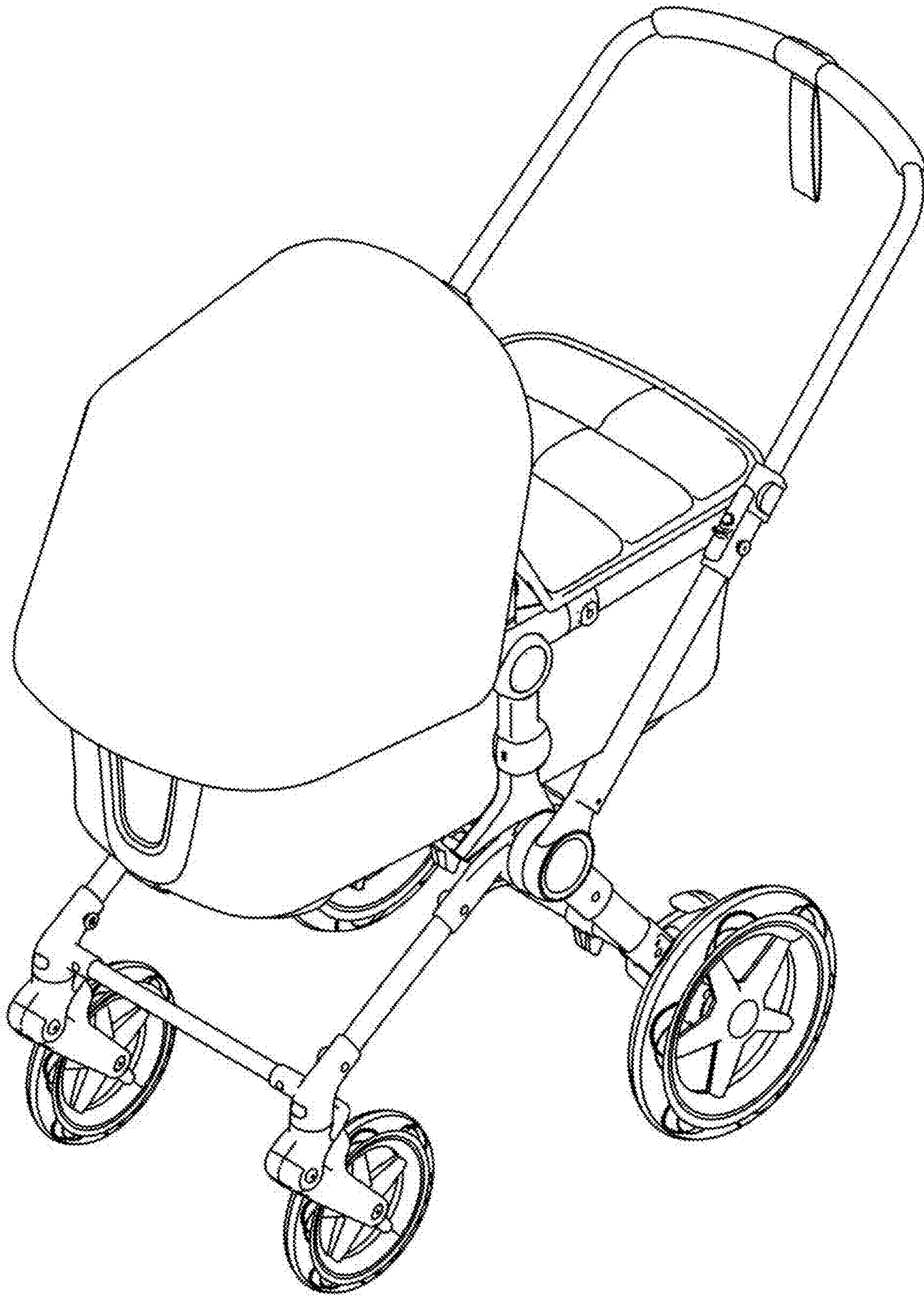


FIG. 1

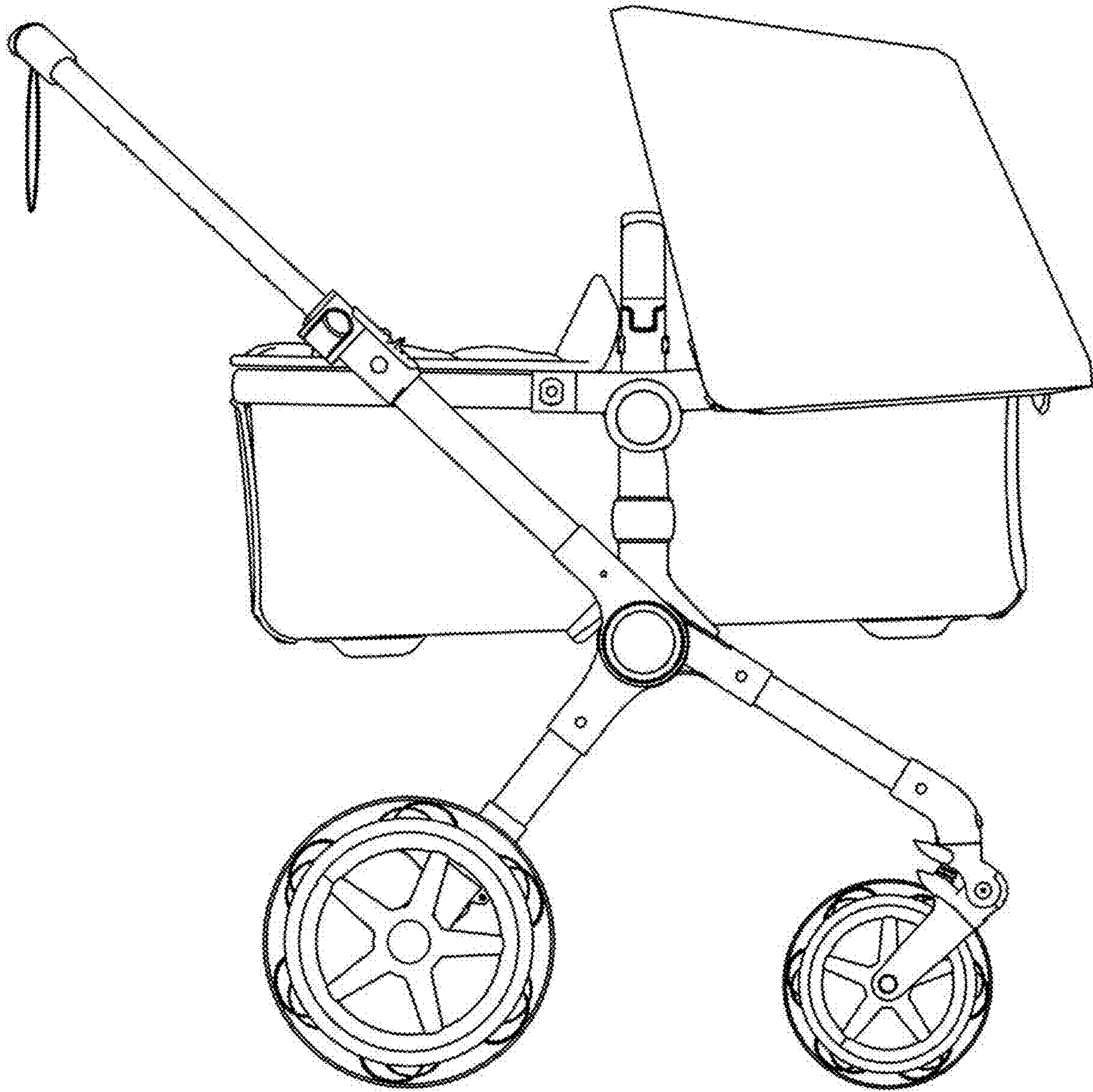


FIG. 2

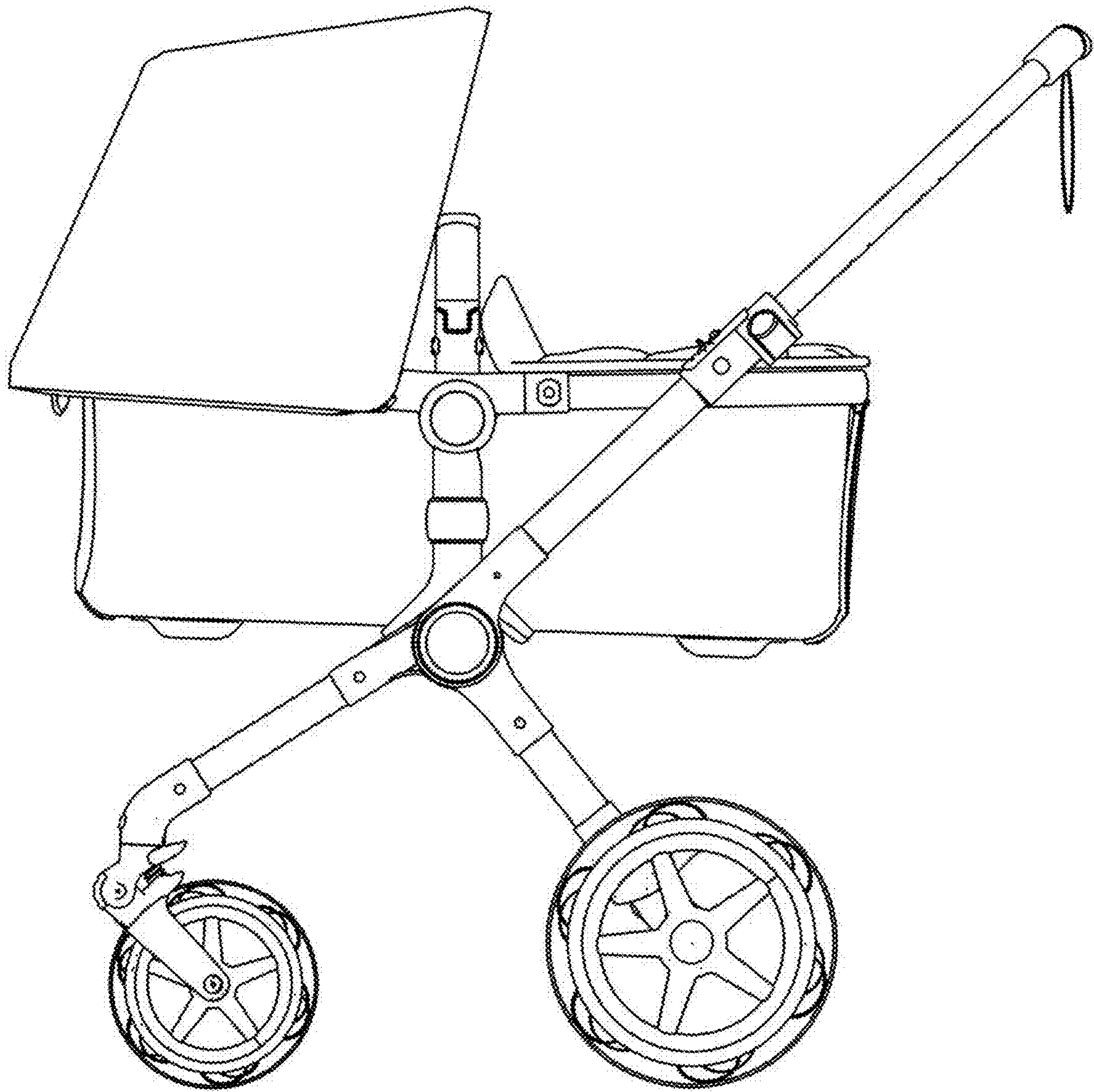
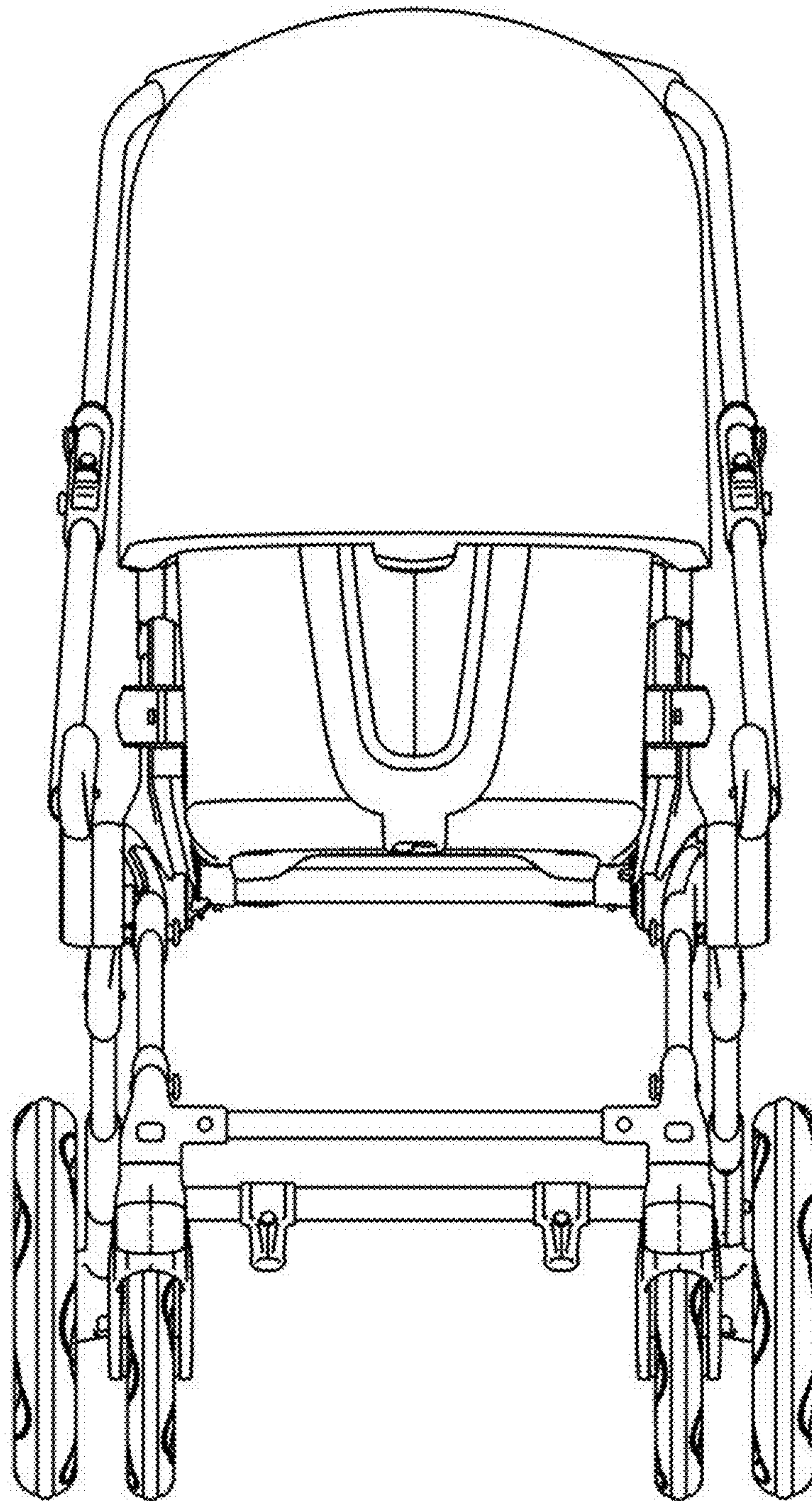


FIG. 3

FIG. 4



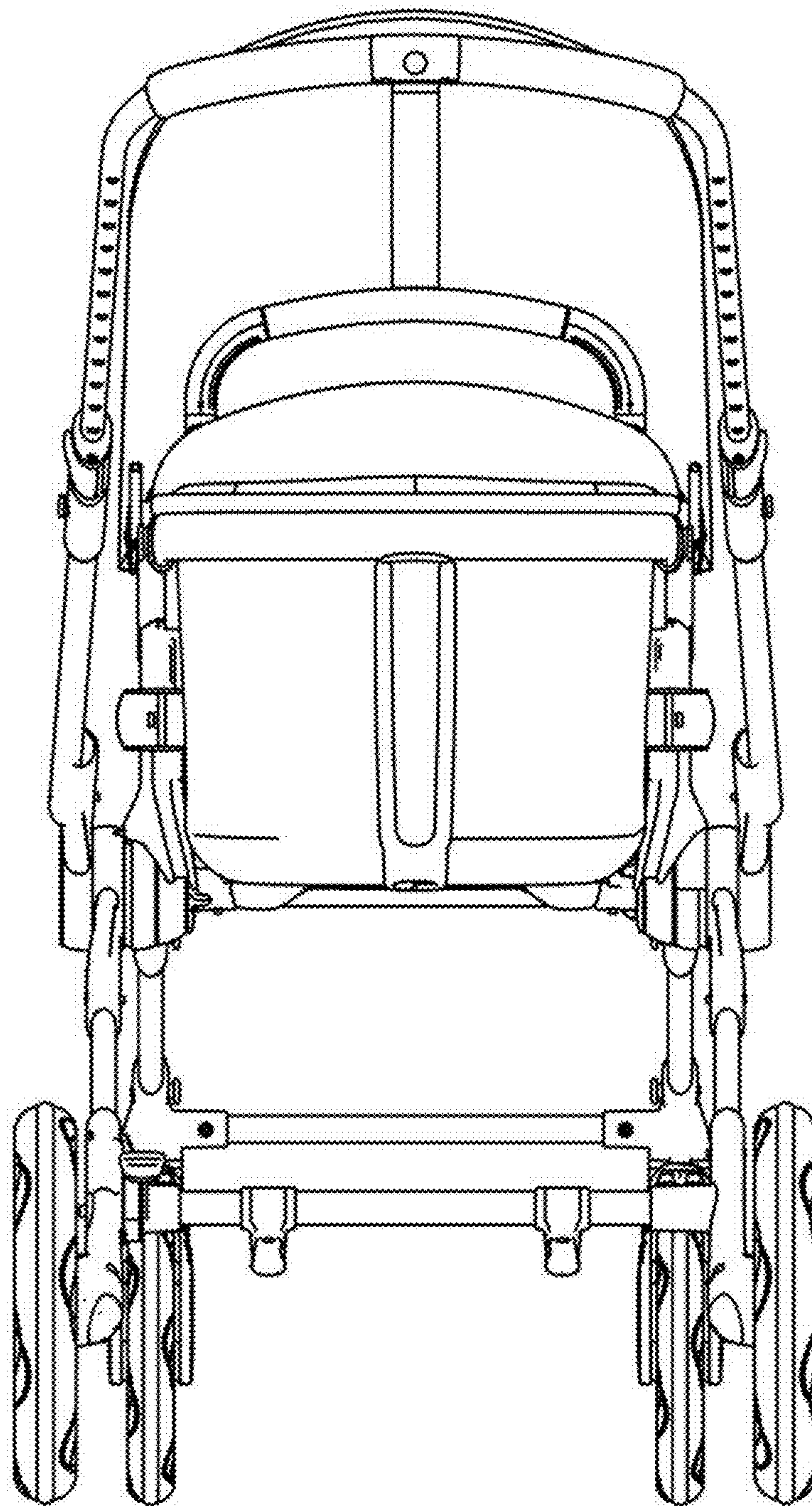


FIG. 5

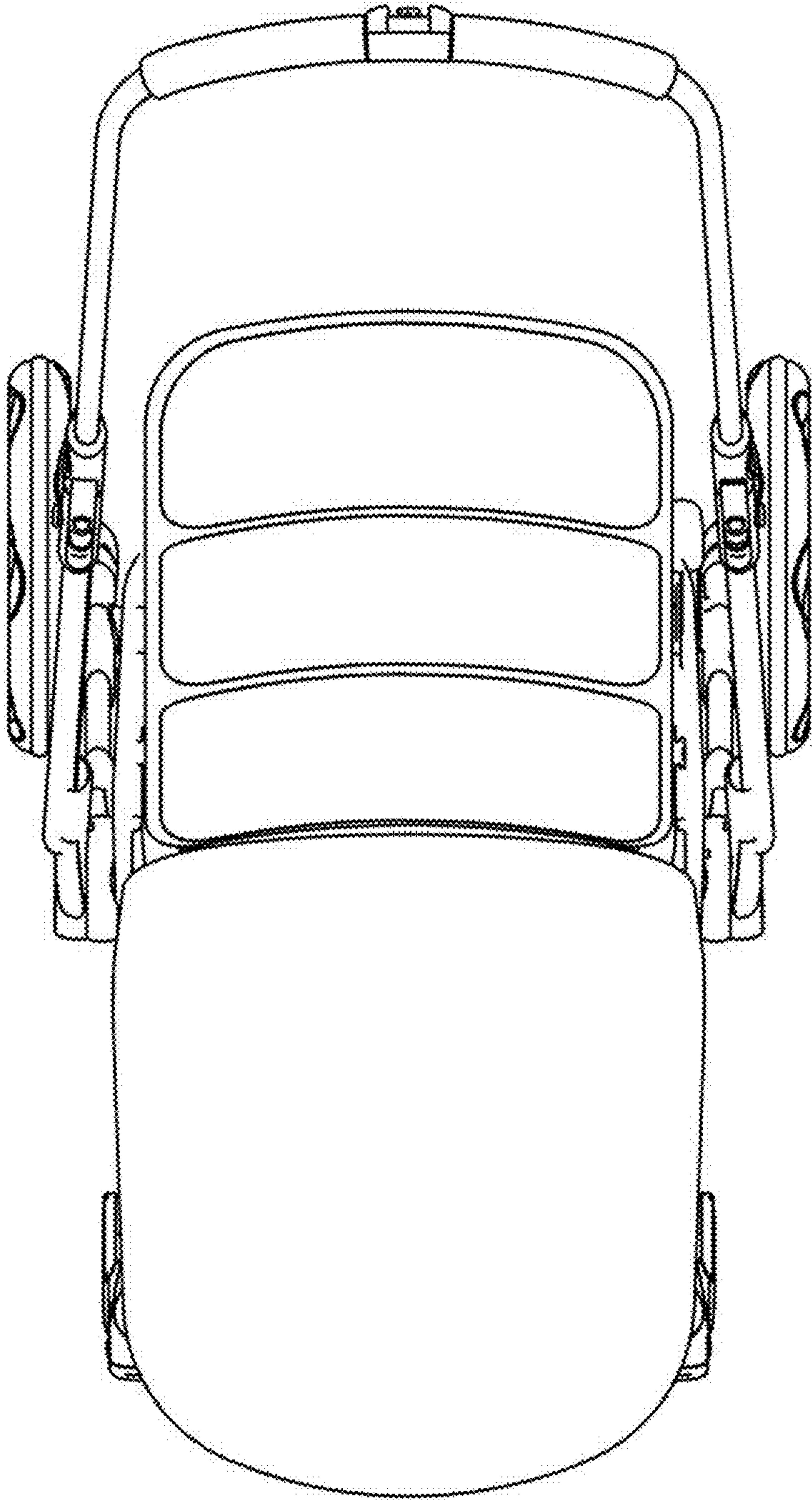
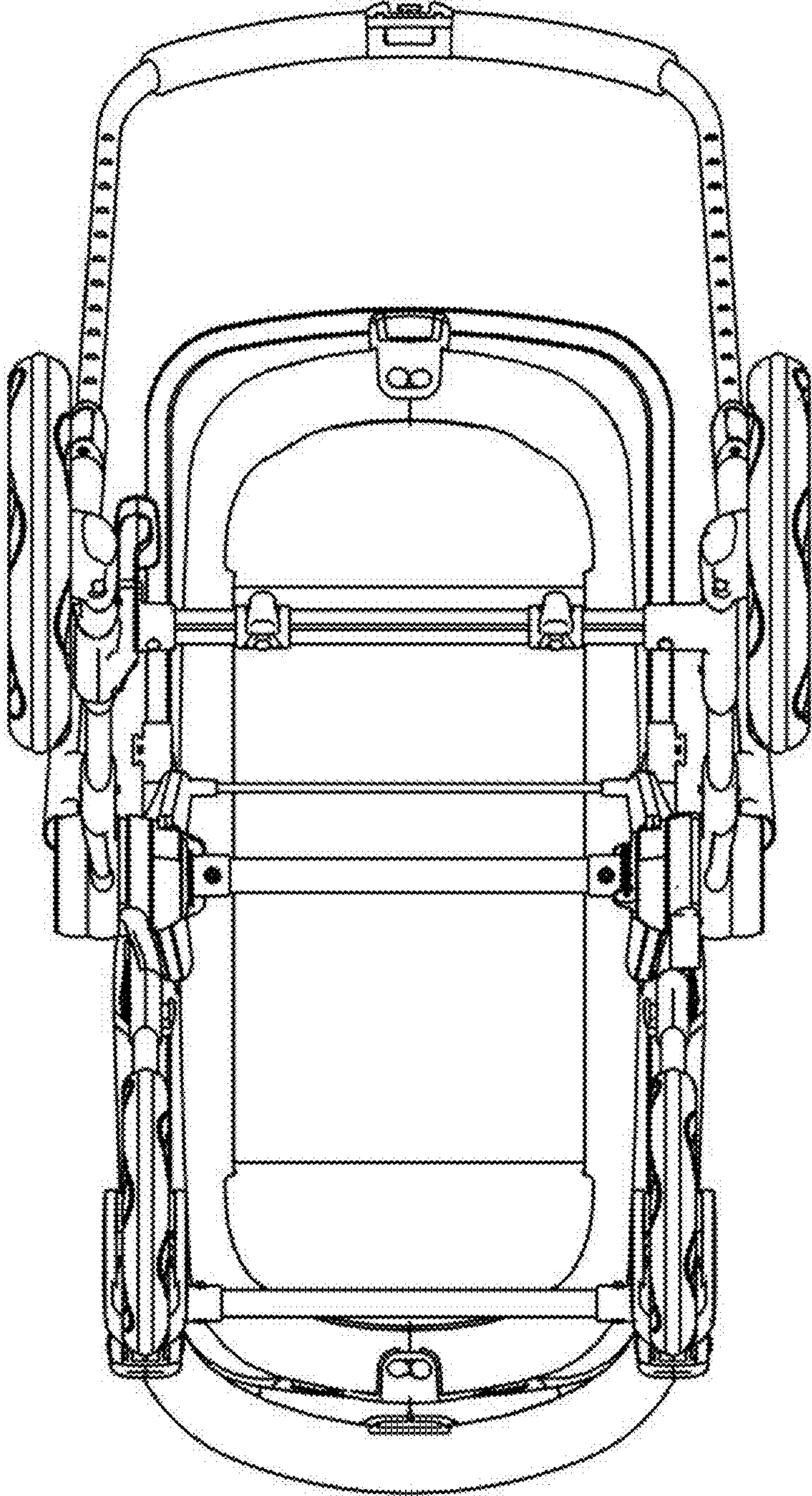


FIG. 6

FIG. 7



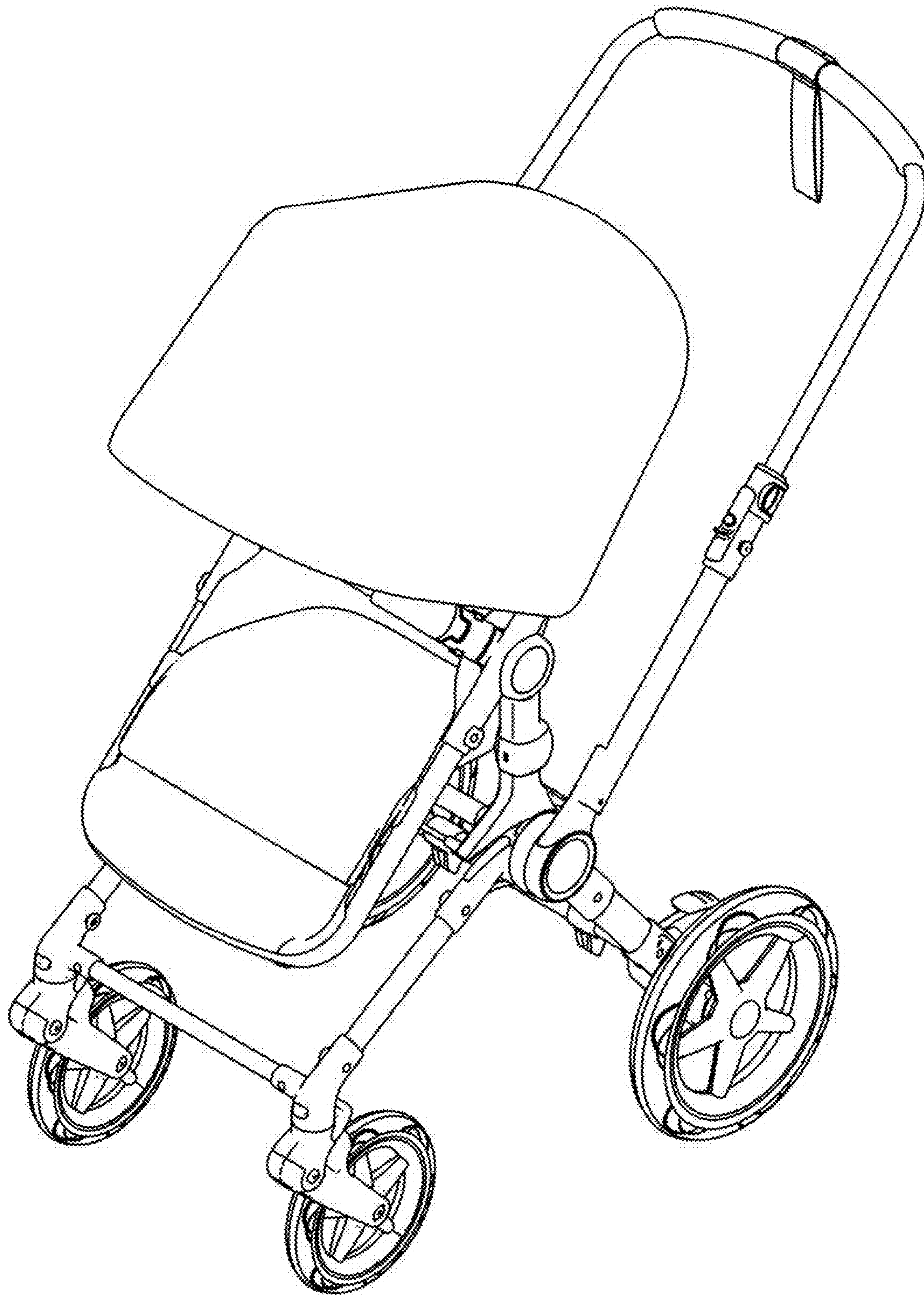


FIG. 8

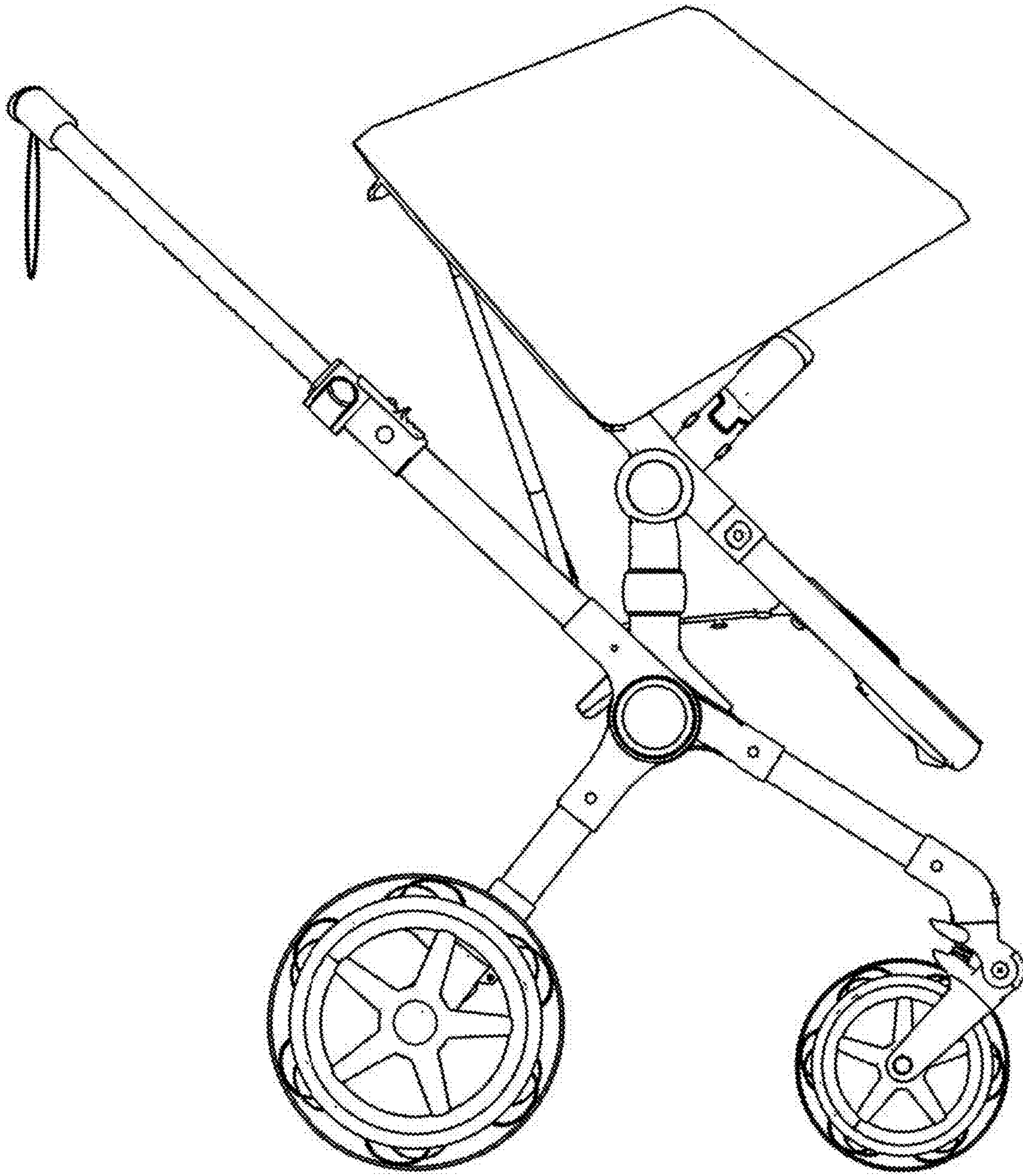


FIG. 9

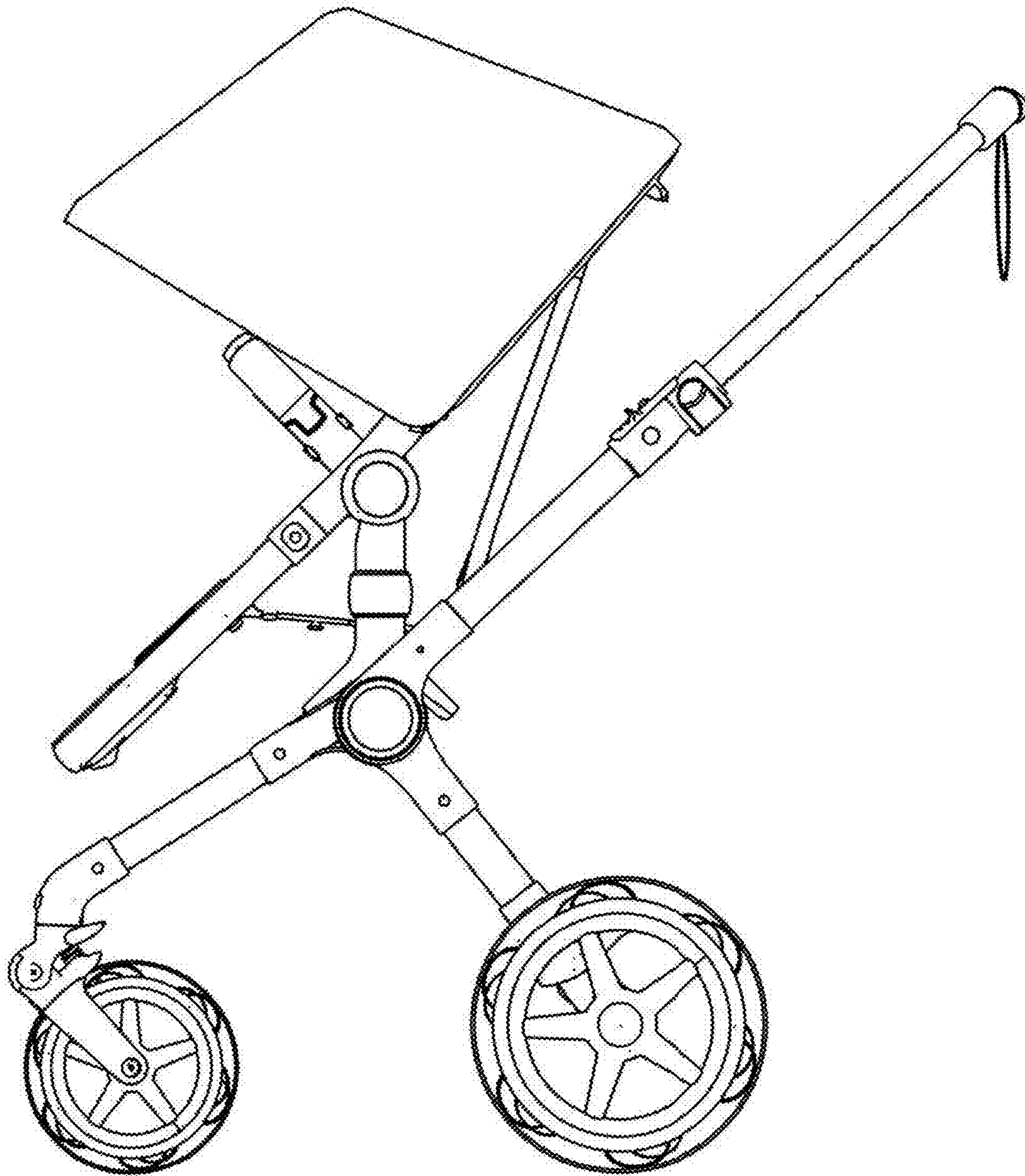


FIG. 10

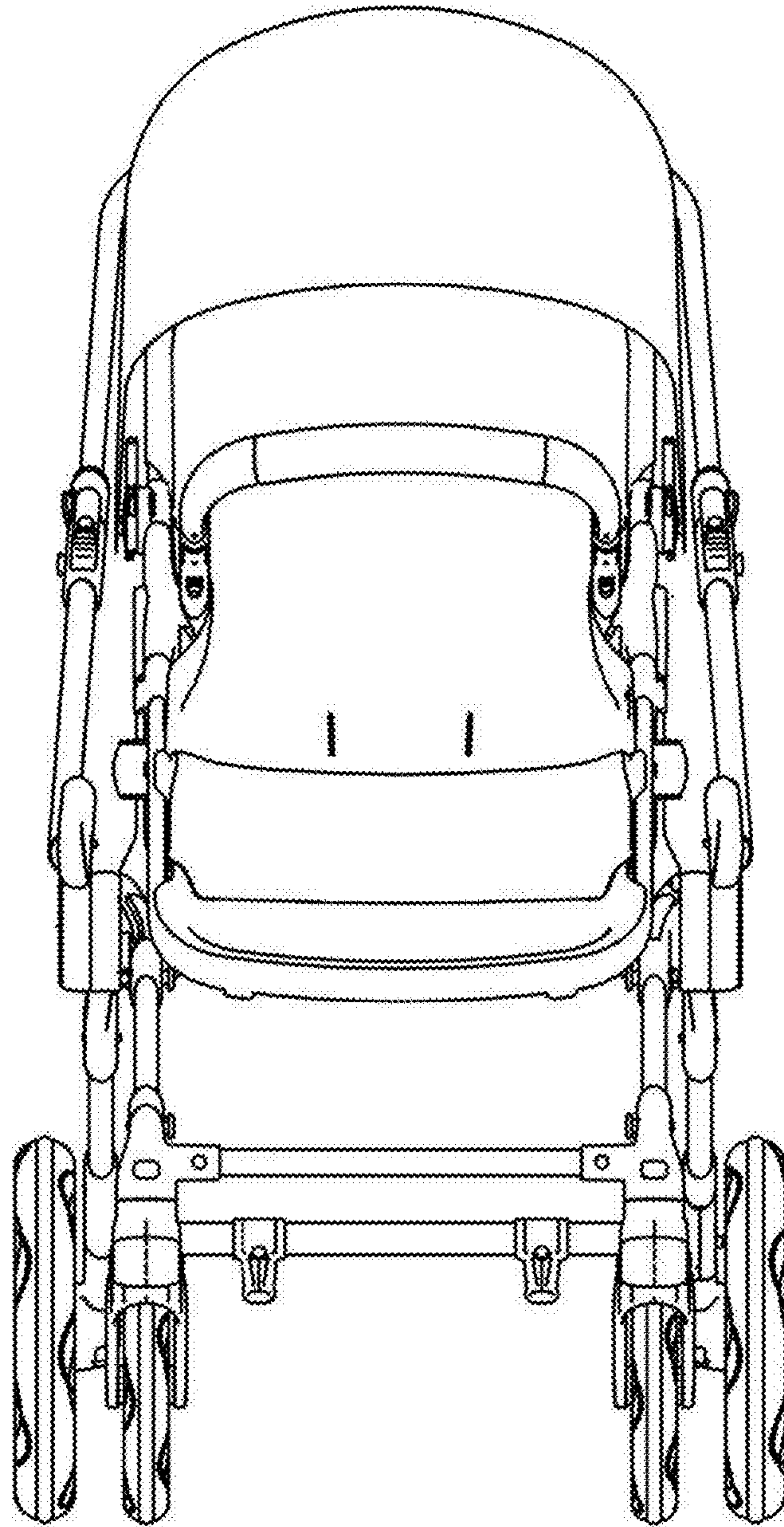


FIG. 11

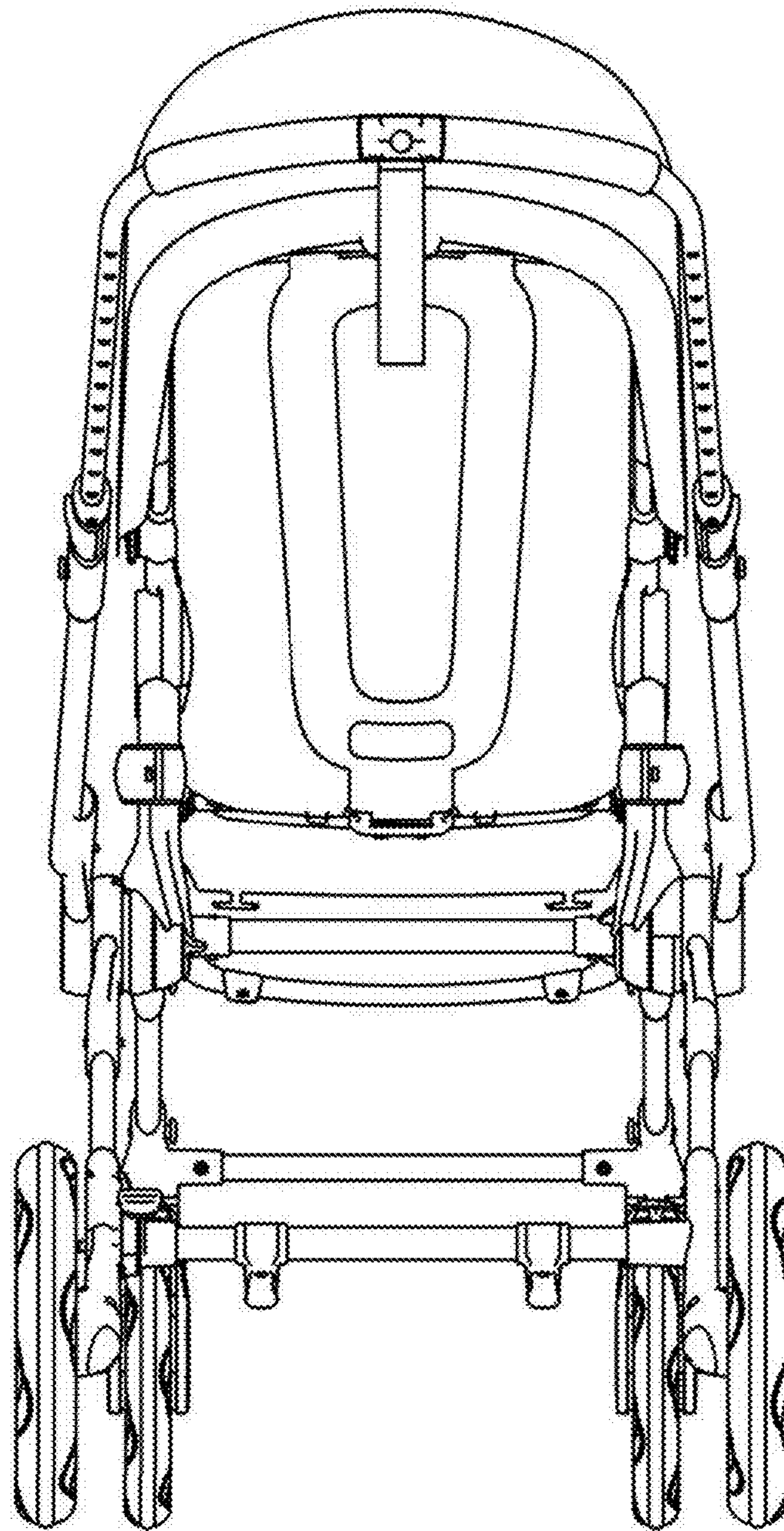


FIG. 12

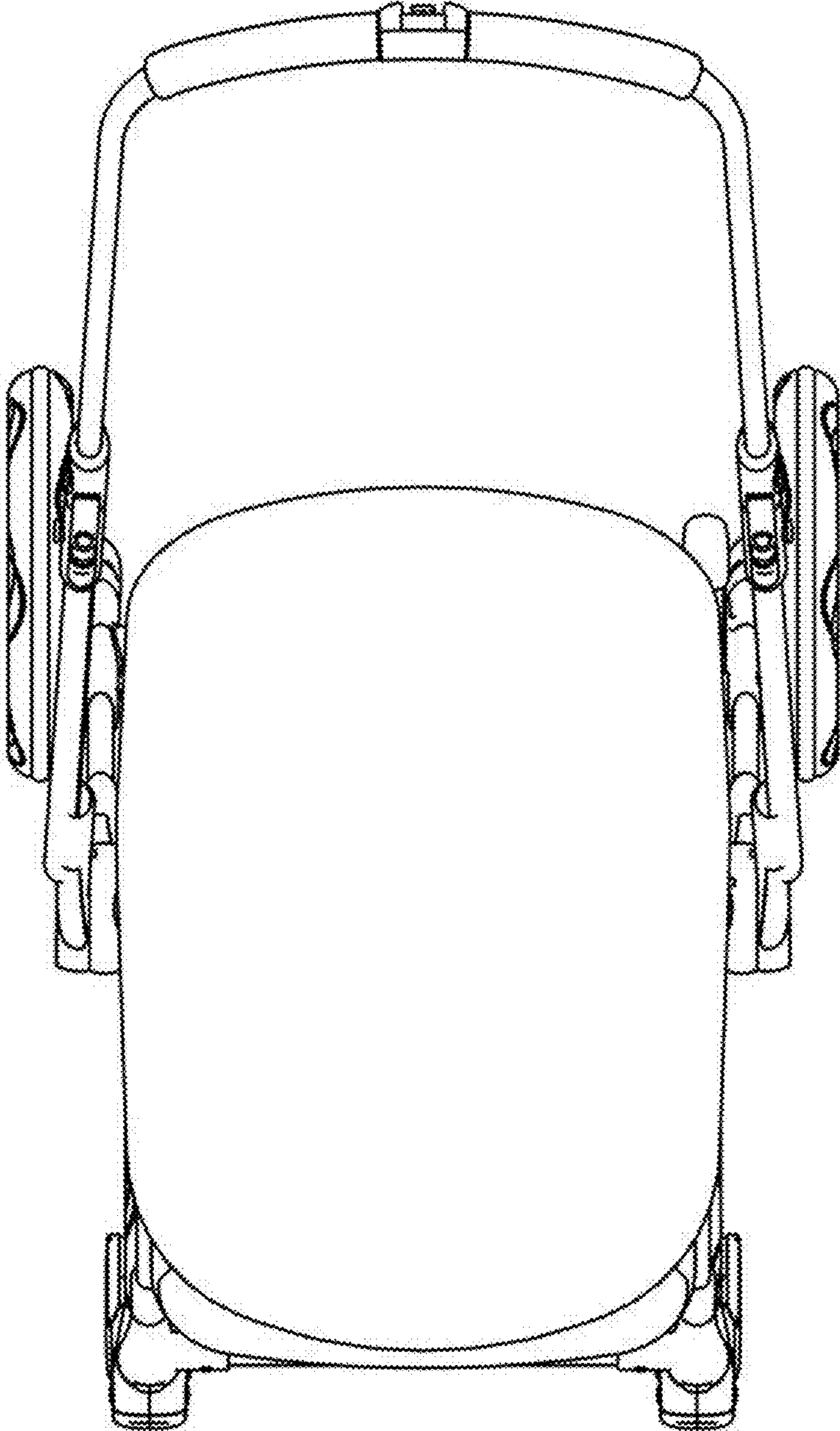


FIG. 13

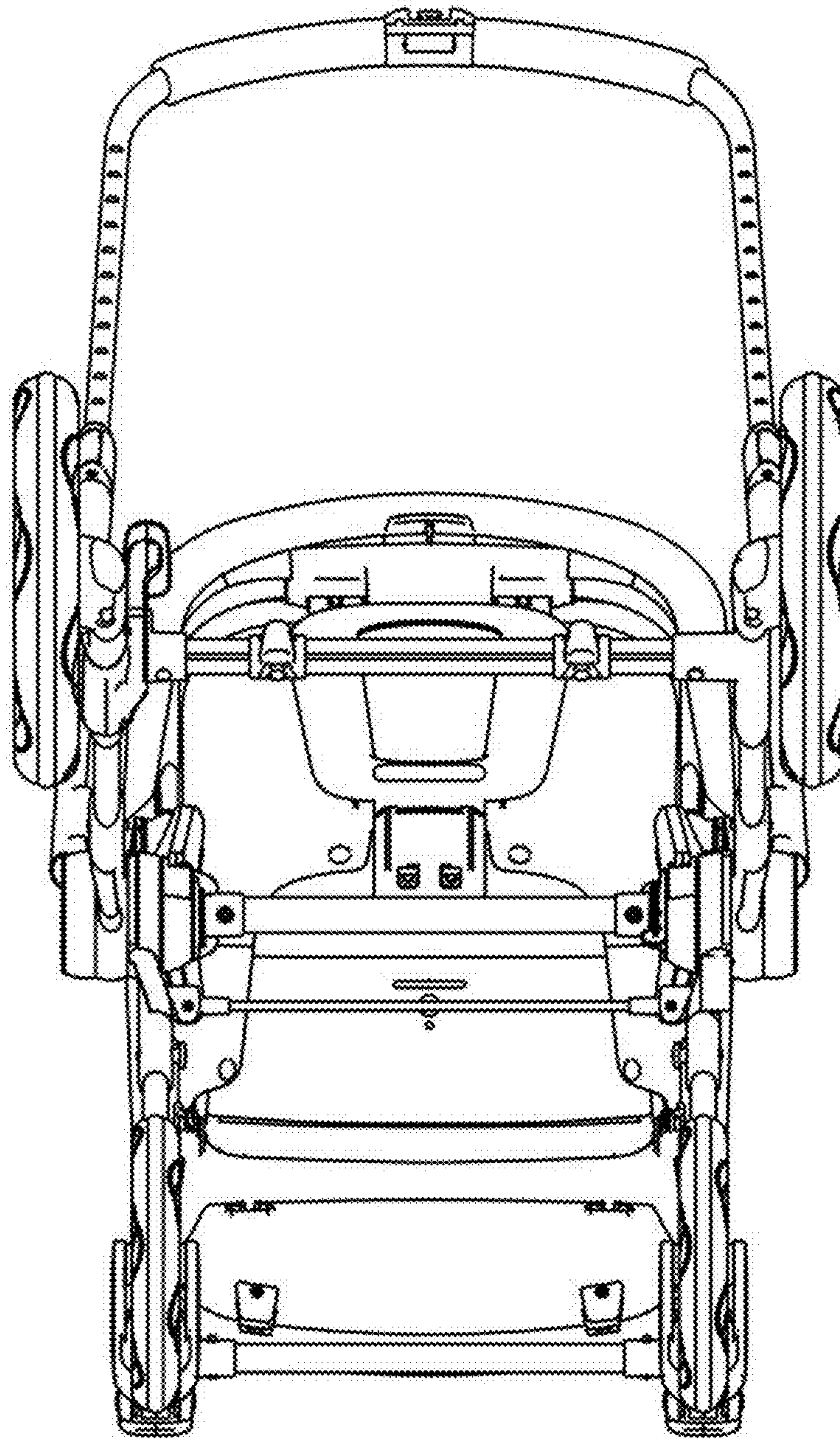


FIG. 14