



US00D858363S

(12) **United States Design Patent**
Hoshino

(10) **Patent No.:** **US D858,363 S**
(45) **Date of Patent:** **** Sep. 3, 2019**

(54) **FRAME FOR ELECTRIC POWER ASSISTED BICYCLE**

(71) Applicant: **YAMAHA HATSUDOKI KABUSHIKI KAISHA**, Shizuoka-ken (JP)

(72) Inventor: **Shigeru Hoshino**, Shizuoka-ken (JP)

(73) Assignee: **YAMAHA HATSUDOKI KABUSHIKI KAISHA** (JP)

(**) Term: **15 Years**

(21) Appl. No.: **29/637,958**

(22) Filed: **Feb. 23, 2018**

(30) **Foreign Application Priority Data**

Aug. 25, 2017 (JP) 2017-018258

(51) **LOC (12) Cl.** **12-11**

(52) **U.S. Cl.**
USPC **D12/117; D12/111**

(58) **Field of Classification Search**
USPC D12/111, 117, 406, 407
CPC . B62K 3/00; B62K 3/005; B62K 9/00; B62K 19/00; B62K 19/02; B62K 19/04; B62K 19/06; B62K 19/16
See application file for complete search history.

(56) **References Cited**

U.S. PATENT DOCUMENTS

D667,347 S * 9/2012 Simko D12/111
D673,883 S * 1/2013 Hillairet D12/111
D685,683 S * 7/2013 Shaw D12/111
D727,215 S * 4/2015 Yang D12/111
D730,780 S * 6/2015 Arbour D12/111
D766,136 S * 9/2016 Jankura D12/111
D774,970 S * 12/2016 D'Aluisio D12/111

D774,980 S * 12/2016 Duehring D12/111
D779,384 S * 2/2017 Greiner D12/111
D784,205 S * 4/2017 Greiner D12/111
D805,001 S * 12/2017 Chen D12/111
D843,893 S * 3/2019 Reiter D12/111
2013/0300085 A1* 11/2013 Zecchetto B62K 3/02
280/281.1

* cited by examiner

Primary Examiner — Darlington Ly

(74) *Attorney, Agent, or Firm* — Ostrolenk Faber LLP

(57) **CLAIM**

The ornamental design for a frame for electric power assisted bicycle, as shown and described.

DESCRIPTION

FIG. 1 is a front and left side perspective view of a frame for electric power assisted bicycle showing my new design; FIG. 2 is a rear and right side perspective view thereof; FIG. 3 is a left side elevation view thereof; FIG. 4 is a right side elevation view thereof; FIG. 5 is a front elevation view thereof; FIG. 6 is a rear elevation view thereof; FIG. 7 is a top plan view thereof; FIG. 8 is a bottom plan view thereof; FIG. 9 is an enlarged and partial left side elevation view thereof, in which the area of enlargement is indicated between lines 9-9 in FIG. 3; FIG. 10 is a cross-sectional view thereof along line 10-10 in FIG. 9; FIG. 11 is a cross-sectional view thereof along line 11-11 in FIG. 9; and, FIG. 12 is a cross-sectional view thereof along line 12-12 in FIG. 9.

The broken lines in the drawings illustrate environmental material that forms no part of the claimed design.

1 Claim, 12 Drawing Sheets

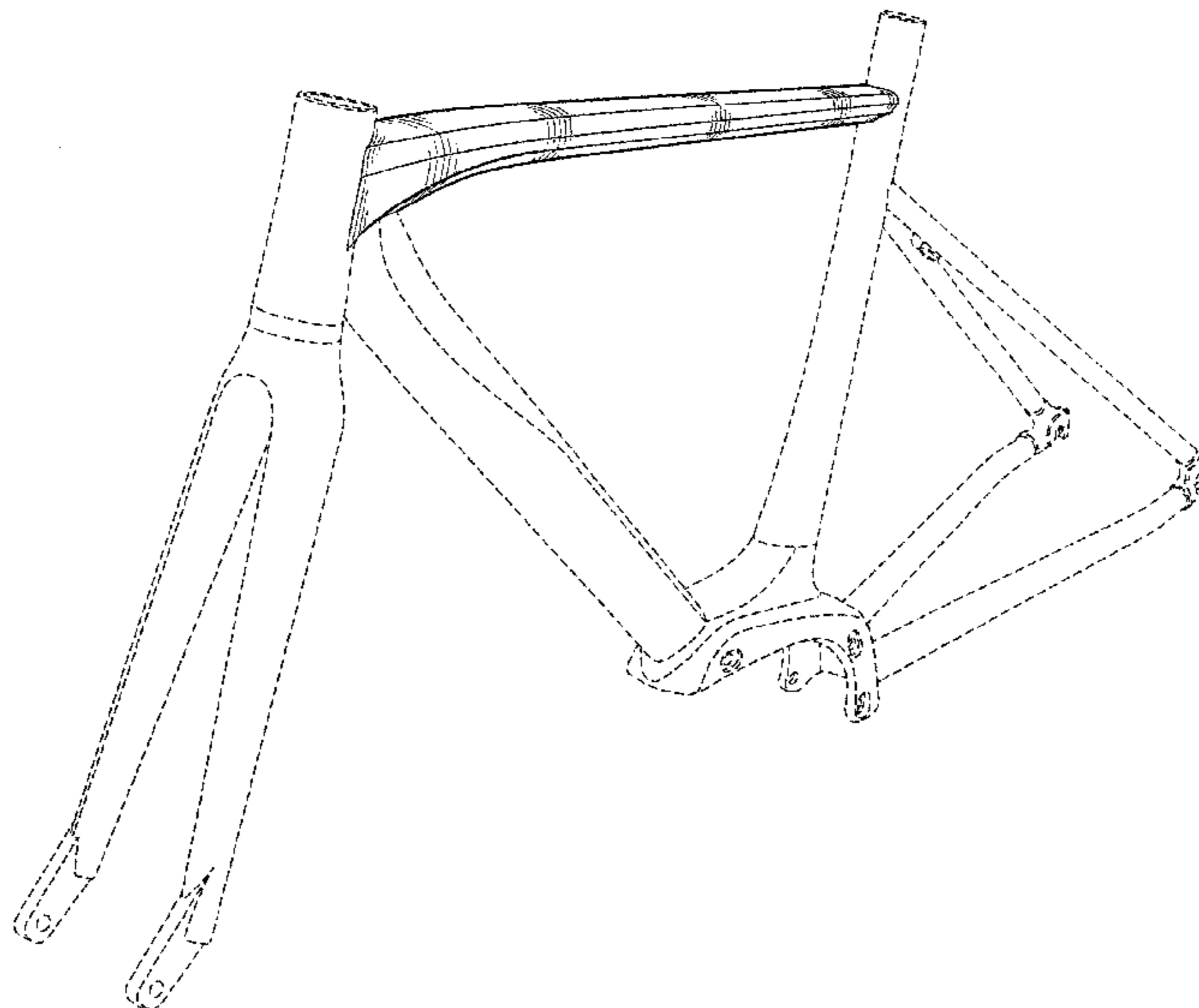


FIG. 1

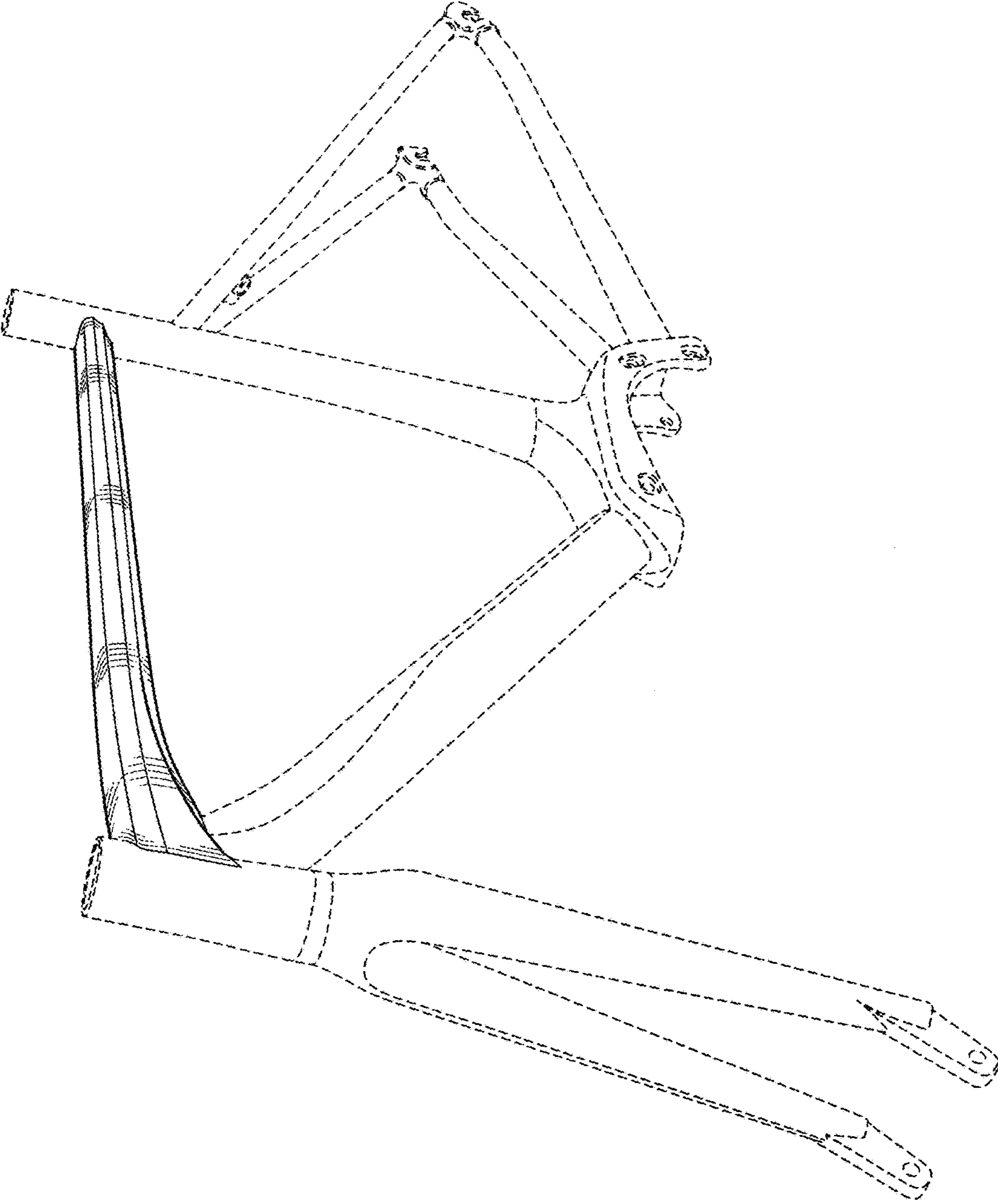


FIG. 2

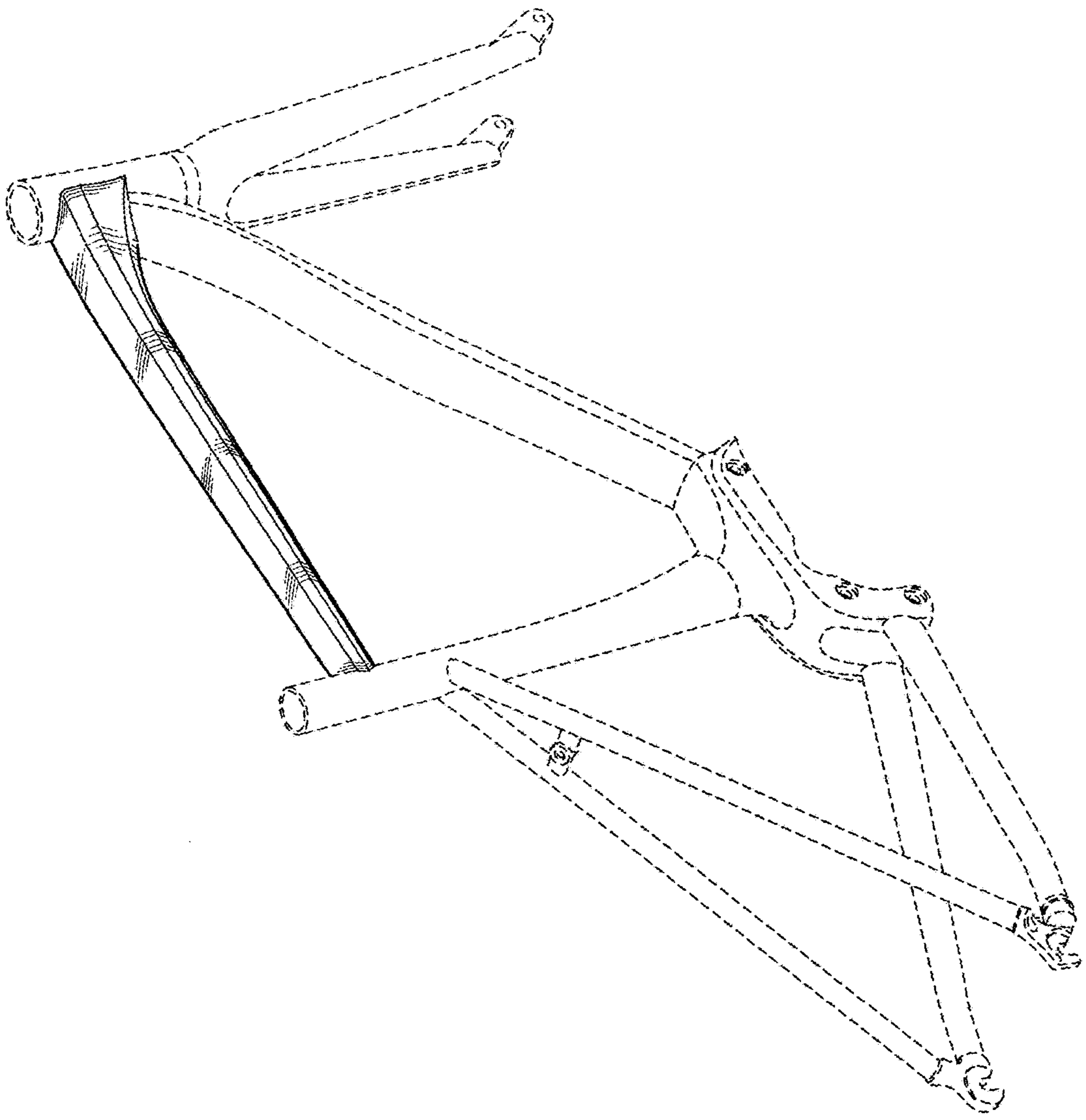


FIG. 3

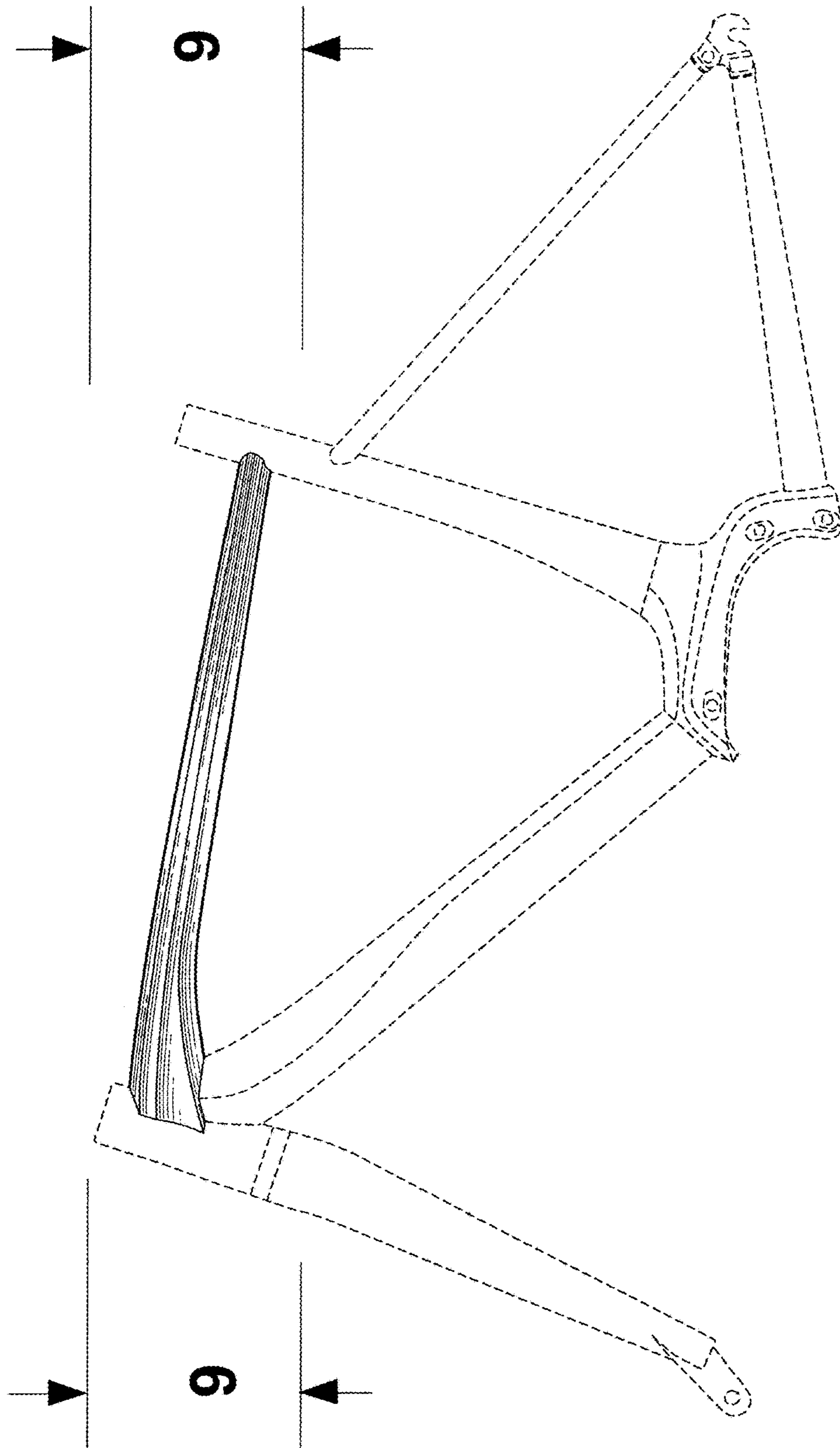


FIG. 4

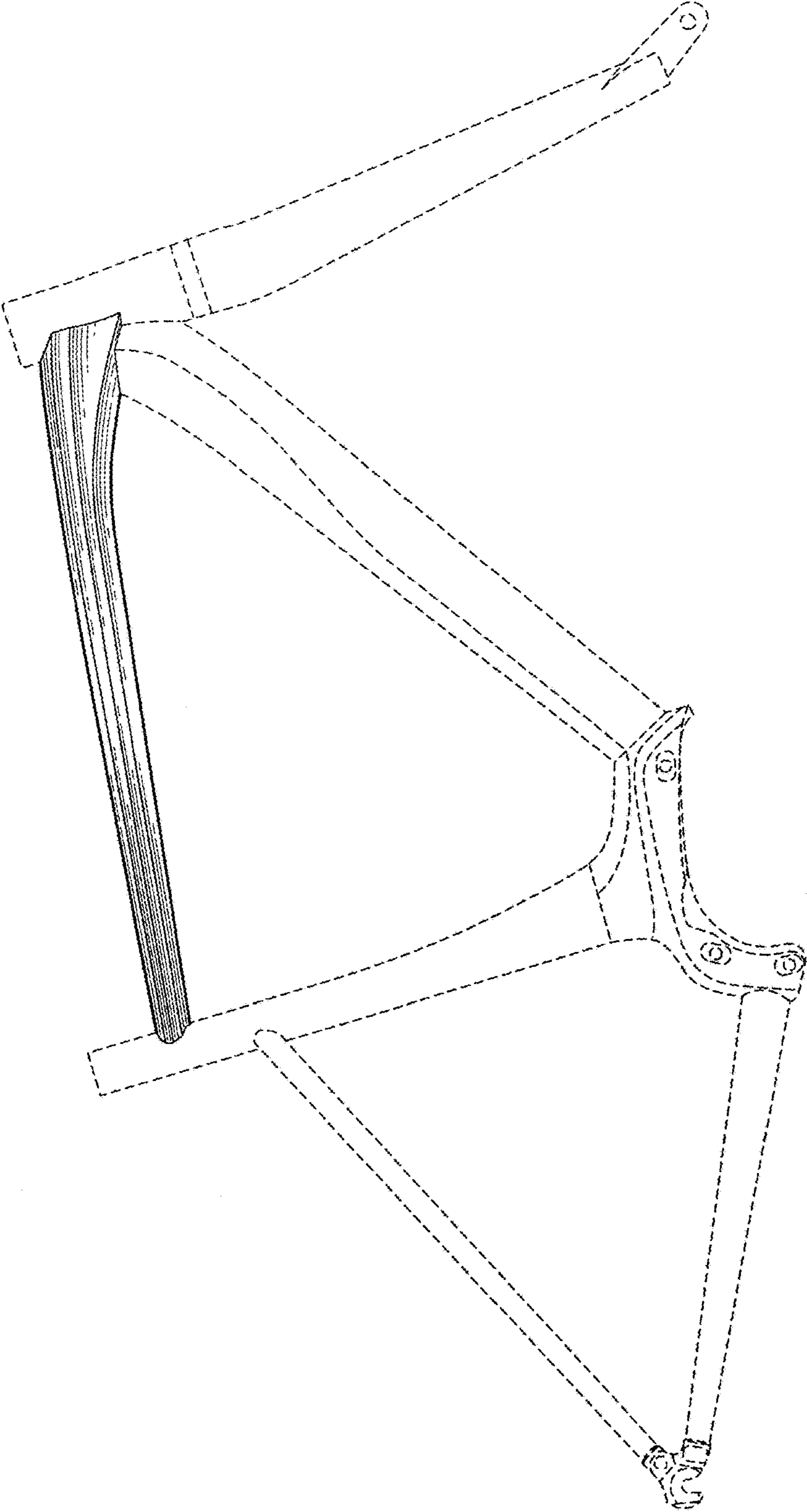


FIG. 5

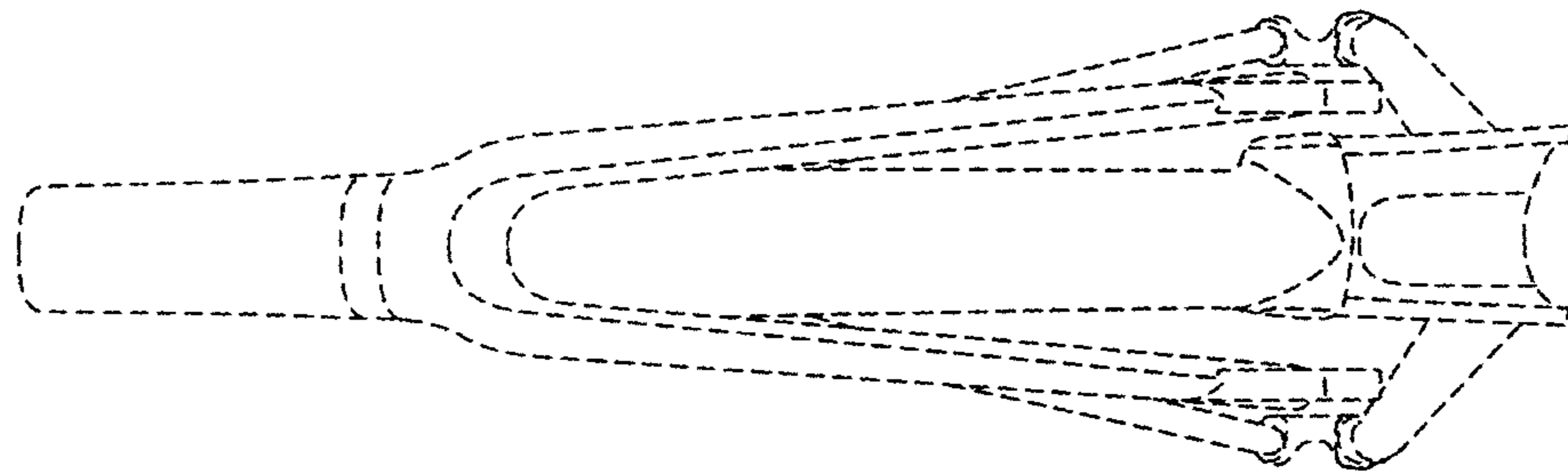


FIG. 6

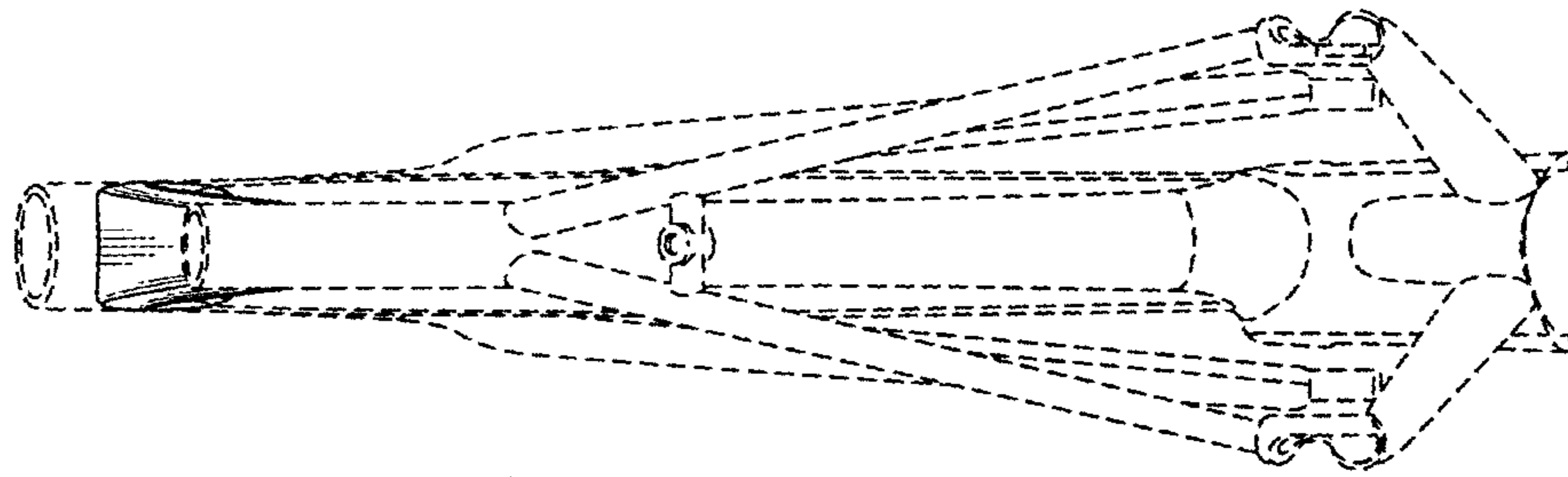


FIG. 7

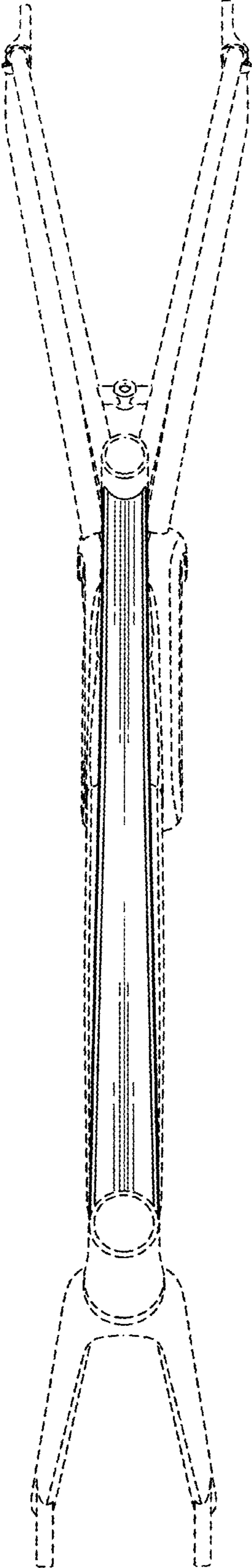


FIG. 8

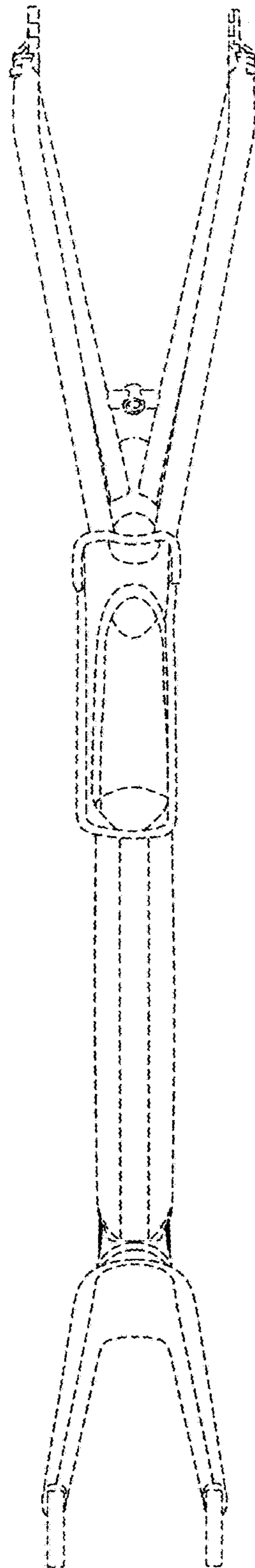


FIG. 9

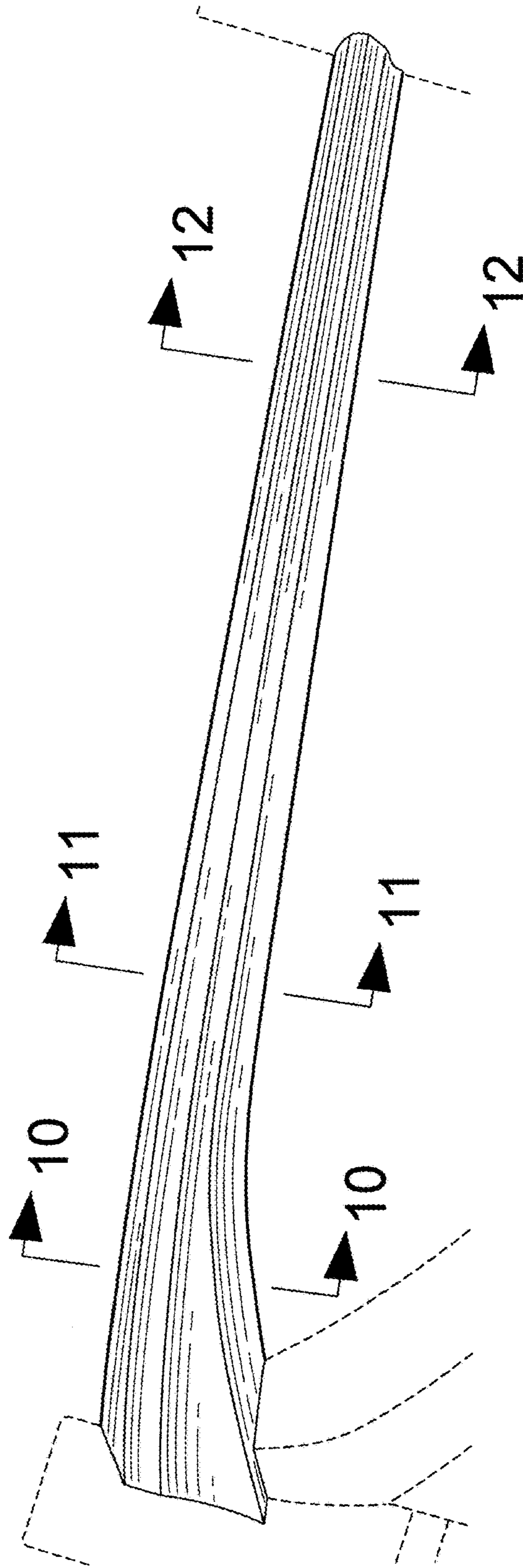


FIG. 10

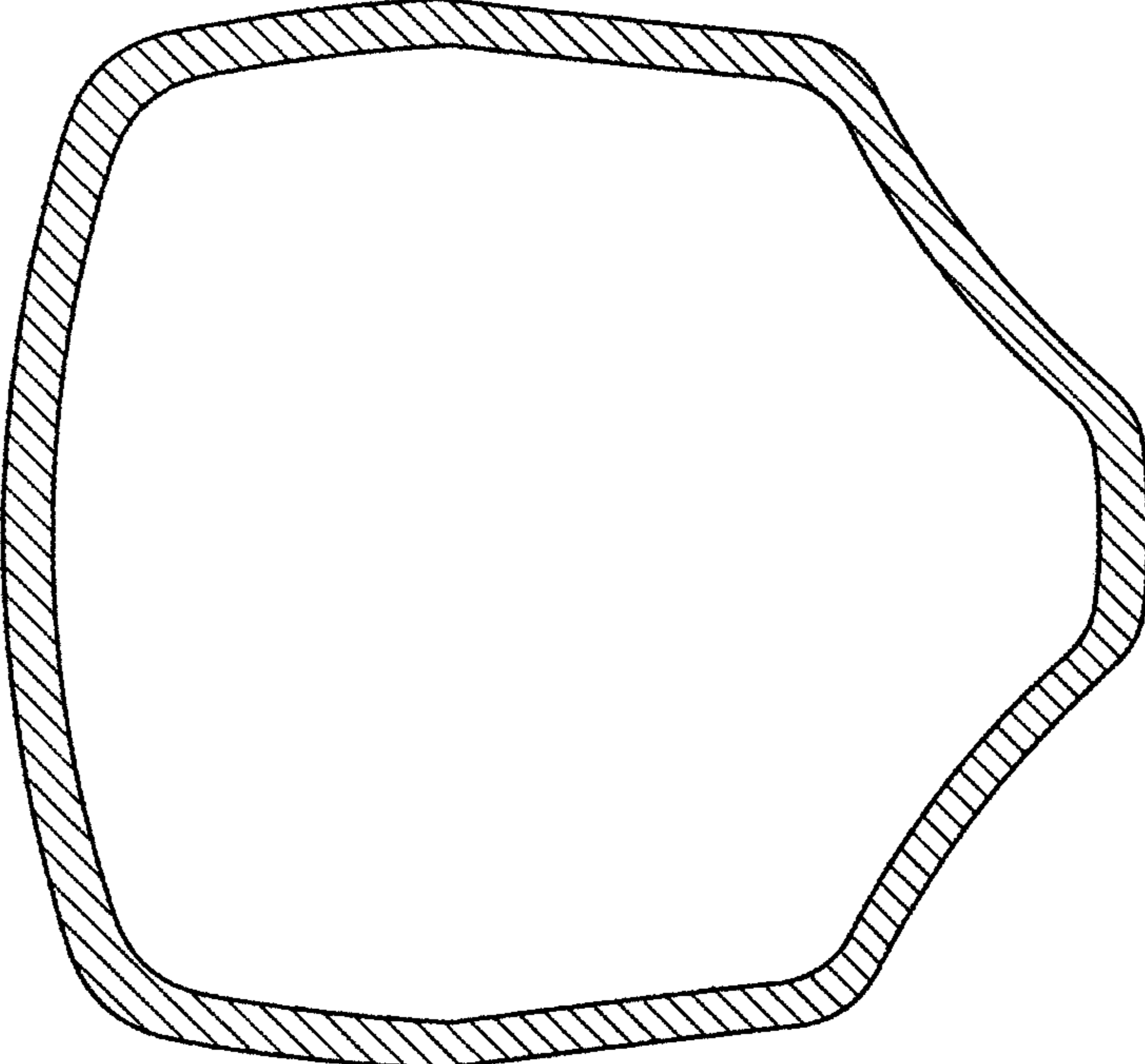


FIG. 11

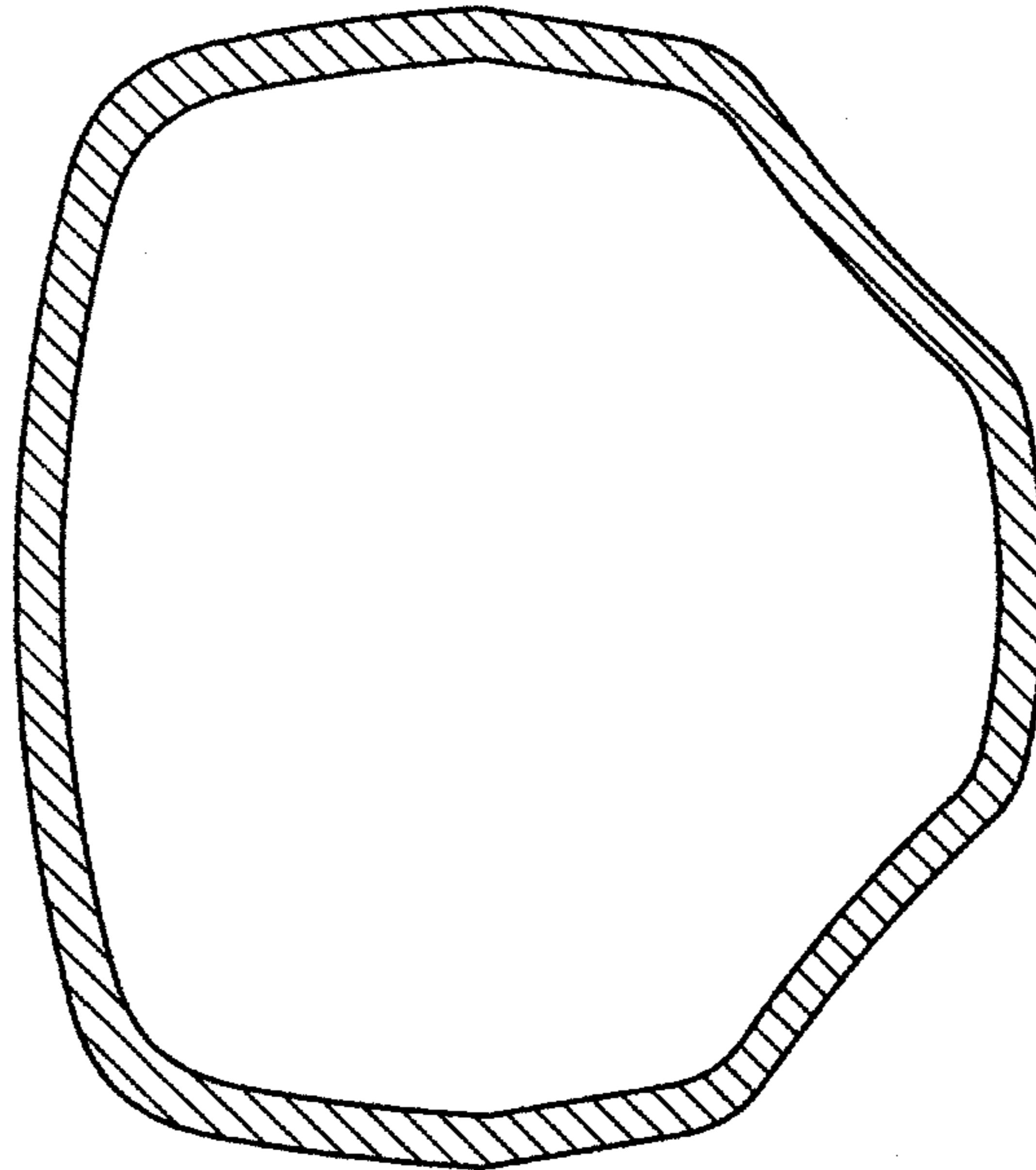


FIG. 12

