



US00D858361S

(12) **United States Design Patent** (10) **Patent No.:** **US D858,361 S**  
**Tateishi et al.** (45) **Date of Patent:** **\*\* Sep. 3, 2019**

- (54) **FRONT FORK COVER FOR A MOTORCYCLE**
- (71) Applicant: **HONDA MOTOR CO., LTD.**, Tokyo (JP)
- (72) Inventors: **Yasushi Tateishi**, Wako (JP); **Seksith Uchchin**, Bangkok (TH)
- (73) Assignee: **HONDA MOTOR CO., LTD.**, Tokyo (JP)
- (\*\*) Term: **15 Years**
- (21) Appl. No.: **29/640,035**
- (22) Filed: **Mar. 12, 2018**
- (30) **Foreign Application Priority Data**  
Sep. 13, 2017 (JP) ..... 2017-019903
- (51) **LOC (12) Cl.** ..... **12-11**
- (52) **U.S. Cl.**  
USPC ..... **D12/114**
- (58) **Field of Classification Search**  
USPC ..... D12/114, 117, 110, 126, 186, 184, 182  
CPC ... B62J 17/00; B62J 17/02; B62J 17/04; B62J 23/00; B62K 11/00; B62K 11/02; B62K 11/04  
See application file for complete search history.

- (56) **References Cited**  
U.S. PATENT DOCUMENTS  
D579,834 S \* 11/2008 Sawabe ..... D12/126  
D608,260 S \* 1/2010 Toriyama ..... D12/186  
D639,218 S \* 6/2011 Katagiri ..... D12/186  
D674,323 S \* 1/2013 Tokumura ..... D12/126  
D683,274 S \* 5/2013 Yanagita ..... D12/126  
D689,411 S \* 9/2013 Tsukui ..... D12/126  
D689,800 S \* 9/2013 Futamata ..... D12/126  
D690,625 S \* 10/2013 Futamata ..... D12/126

- D694,157 S \* 11/2013 Katagiri ..... D12/126
- D695,157 S \* 12/2013 Tsukui ..... D12/126
- D696,161 S \* 12/2013 Yamazaki ..... D12/126
- D712,314 S \* 9/2014 Katagiri ..... D12/114
- D712,794 S \* 9/2014 Katagiri ..... D12/114
- D726,595 S \* 4/2015 Futamata ..... D12/114
- D733,011 S \* 6/2015 Nishimoto ..... D12/126
- D737,729 S \* 9/2015 Seo ..... D12/114
- D748,017 S \* 1/2016 Yoshitomi ..... D12/114
- D772,110 S \* 11/2016 Petersson ..... D12/114
- D776,017 S \* 1/2017 Takigawa ..... D12/114
- D782,369 S \* 3/2017 Fujimoto ..... D12/114
- D786,141 S \* 5/2017 Tachibana ..... D12/114
- D786,142 S \* 5/2017 Tachibana ..... D12/114
- D795,750 S \* 8/2017 Futamata ..... D12/114
- D798,196 S \* 9/2017 Futamata ..... D12/114

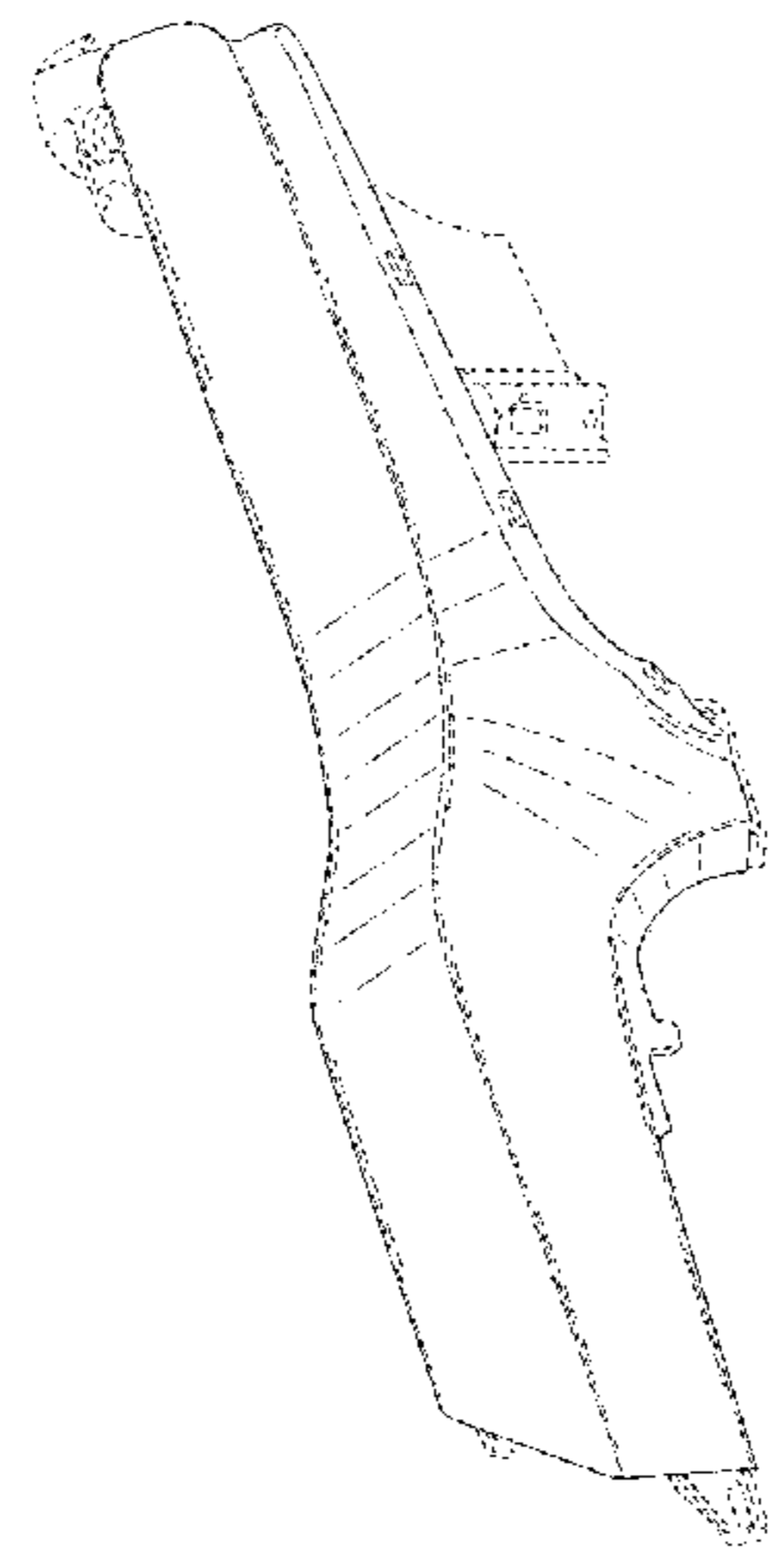
(Continued)

*Primary Examiner* — Michelle E. Wilson  
*Assistant Examiner* — Clese Moore, Jr.  
(74) *Attorney, Agent, or Firm* — Birch, Stewart, Kolasch & Birch, LLP

(57) **CLAIM**  
The ornamental design for a front fork cover for a motorcycle, as shown and described.

**DESCRIPTION**  
FIG. 1 is a front, right side perspective view of a front fork cover for a motorcycle showing our new design; FIG. 2 is a front, left side perspective view thereof; FIG. 3 is a front elevational view thereof; FIG. 4 is a left side elevational view thereof; FIG. 5 is a right side elevational view thereof; FIG. 6 is a top plan view thereof; FIG. 7 is a rear, right side perspective view thereof; and, FIG. 8 is a reference view thereof.  
The broken lines shown in the drawings illustrate portions of the front fork cover for a motorcycle that form no part of the claimed design.

**1 Claim, 8 Drawing Sheets**



(56)

**References Cited**

U.S. PATENT DOCUMENTS

D803,105 S \* 11/2017 Tsuji ..... D12/126  
D803,107 S \* 11/2017 Petersson ..... D12/126

\* cited by examiner

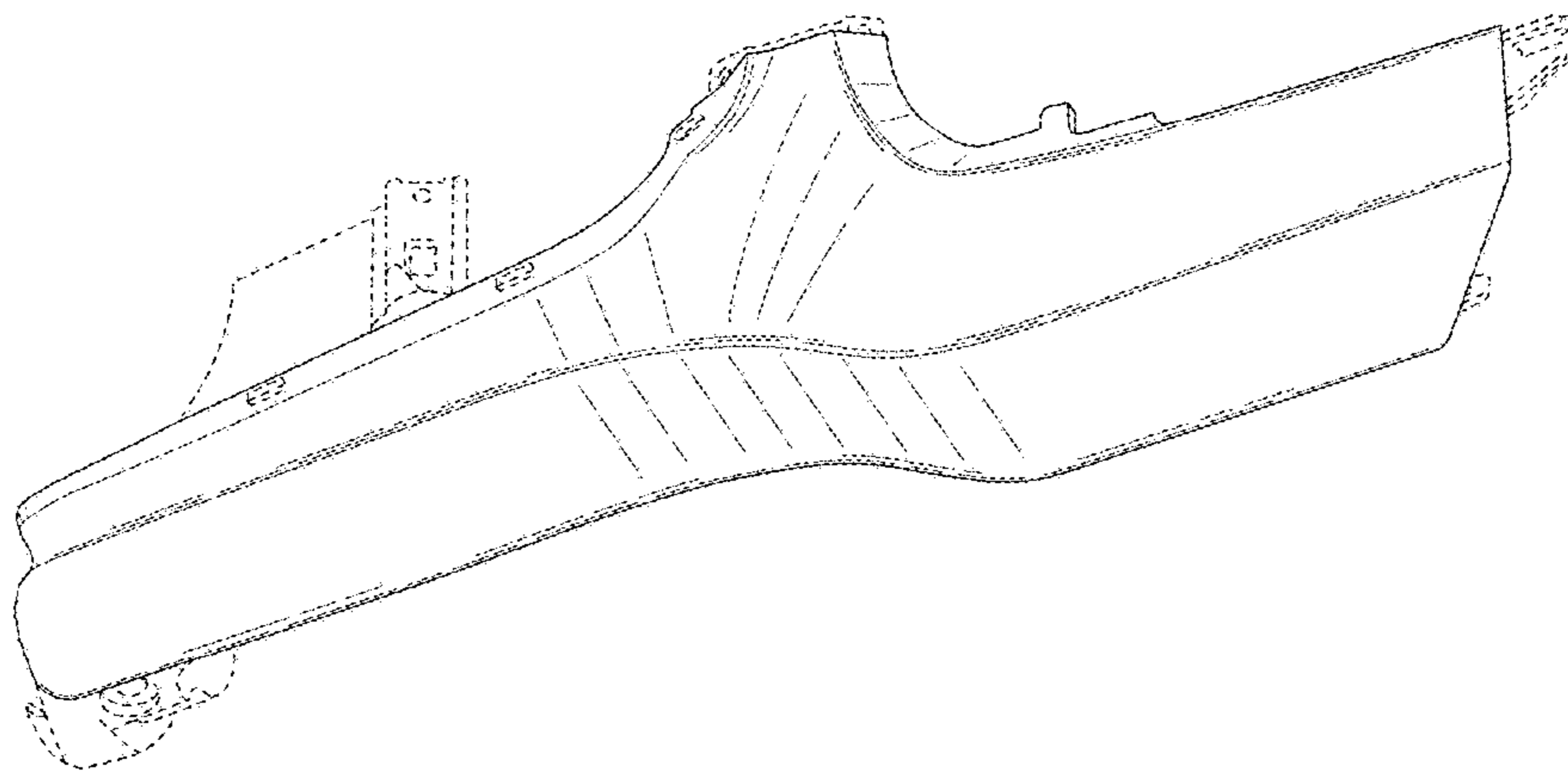


FIG.1

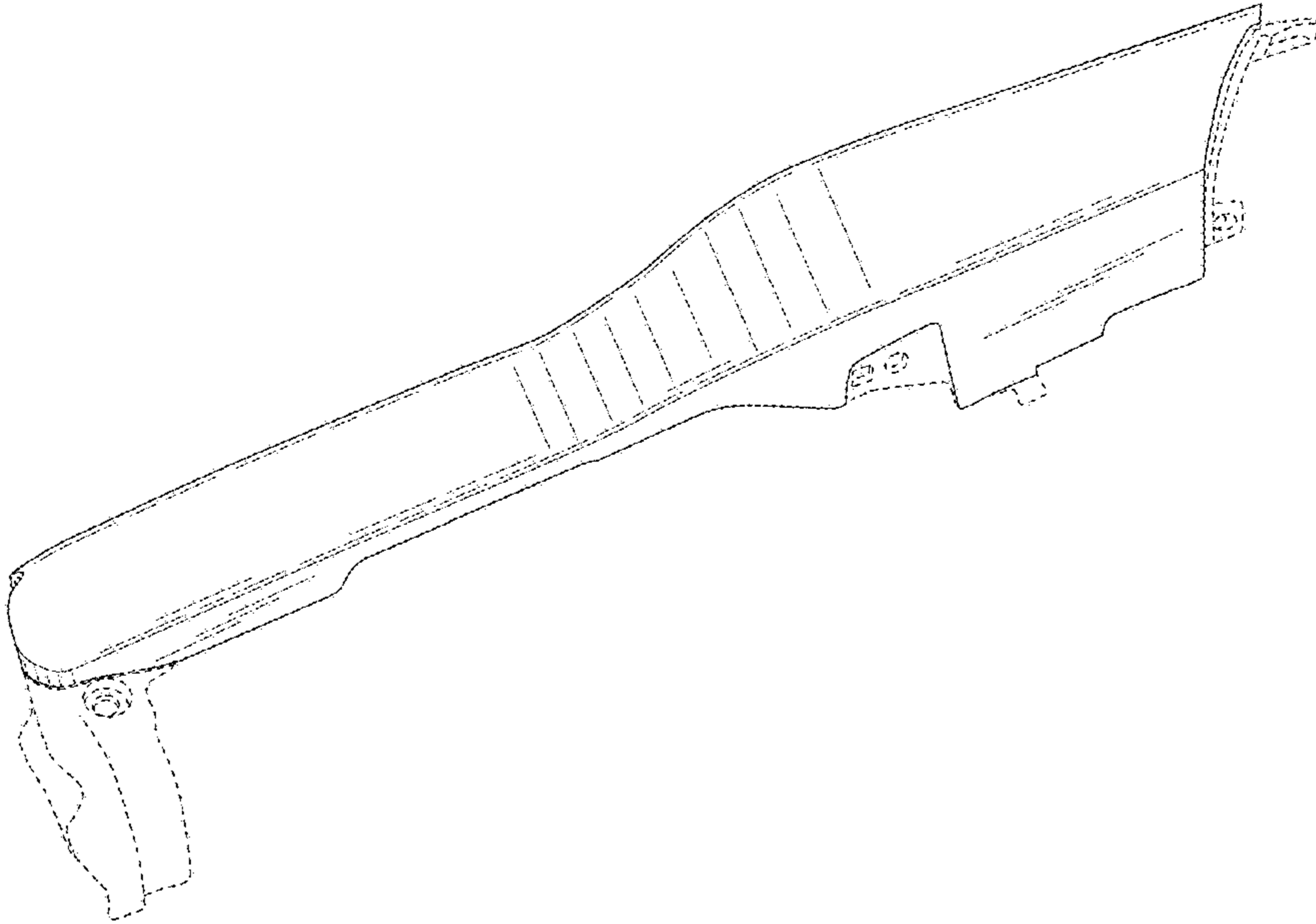


FIG.2

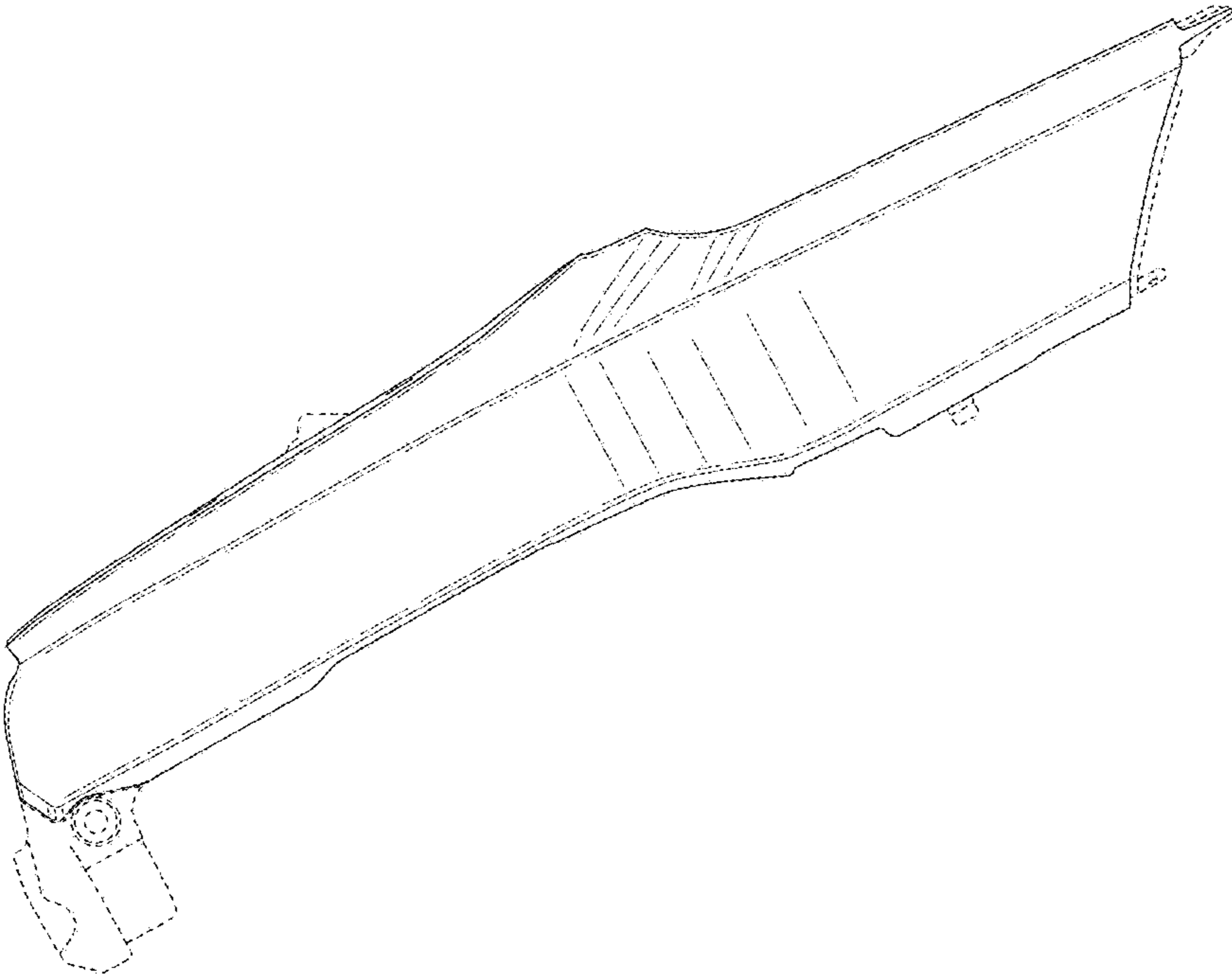


FIG.3

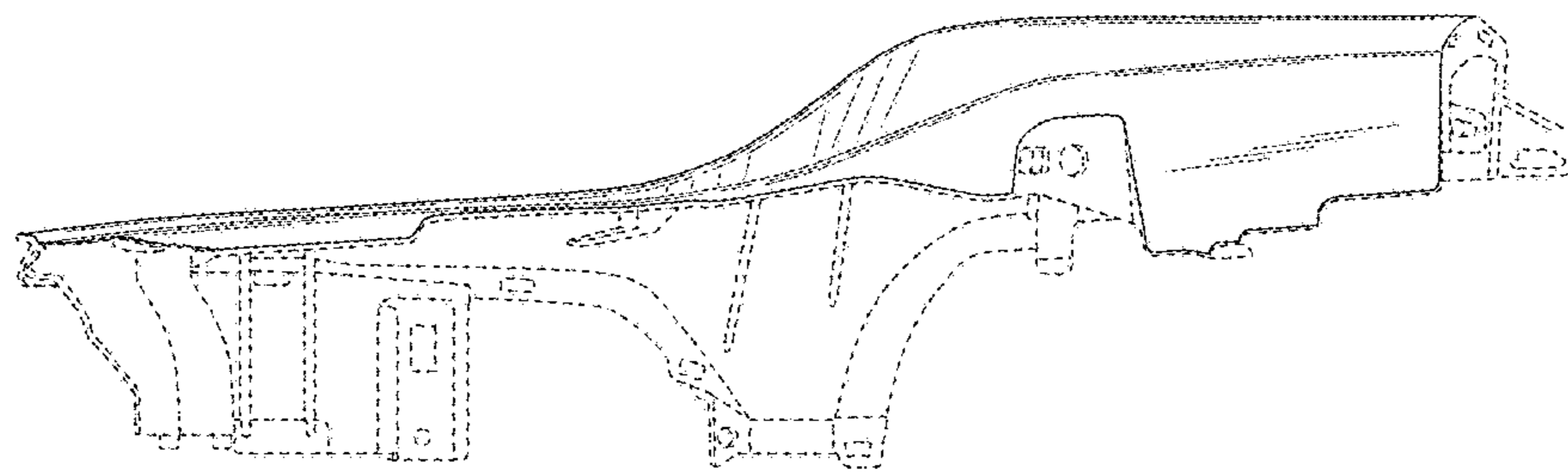


FIG.4

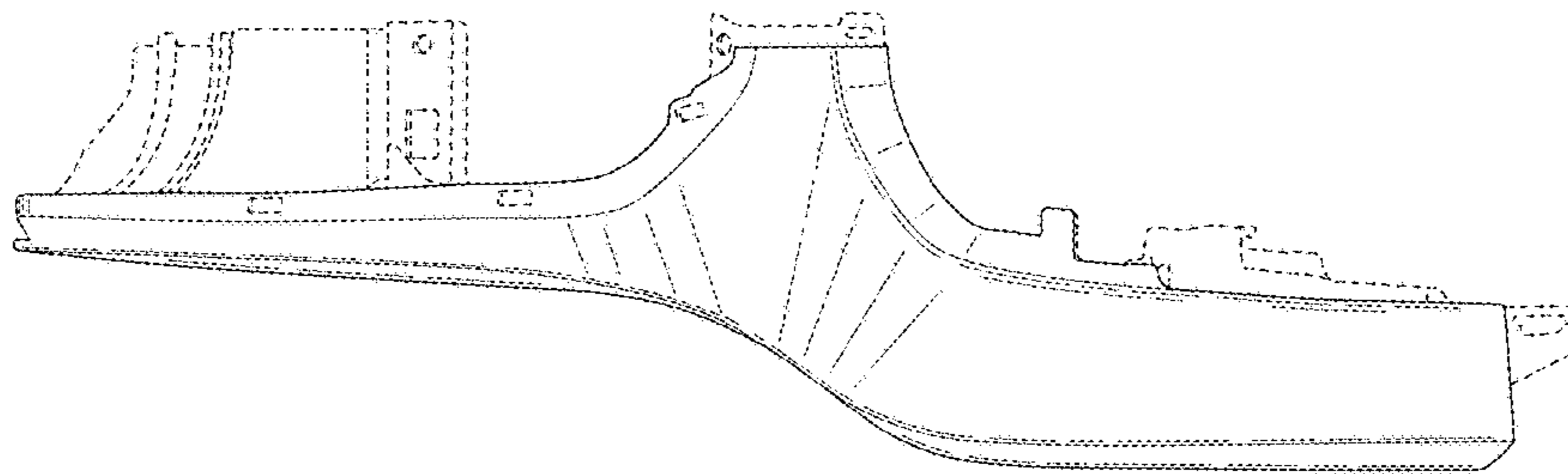


FIG. 5

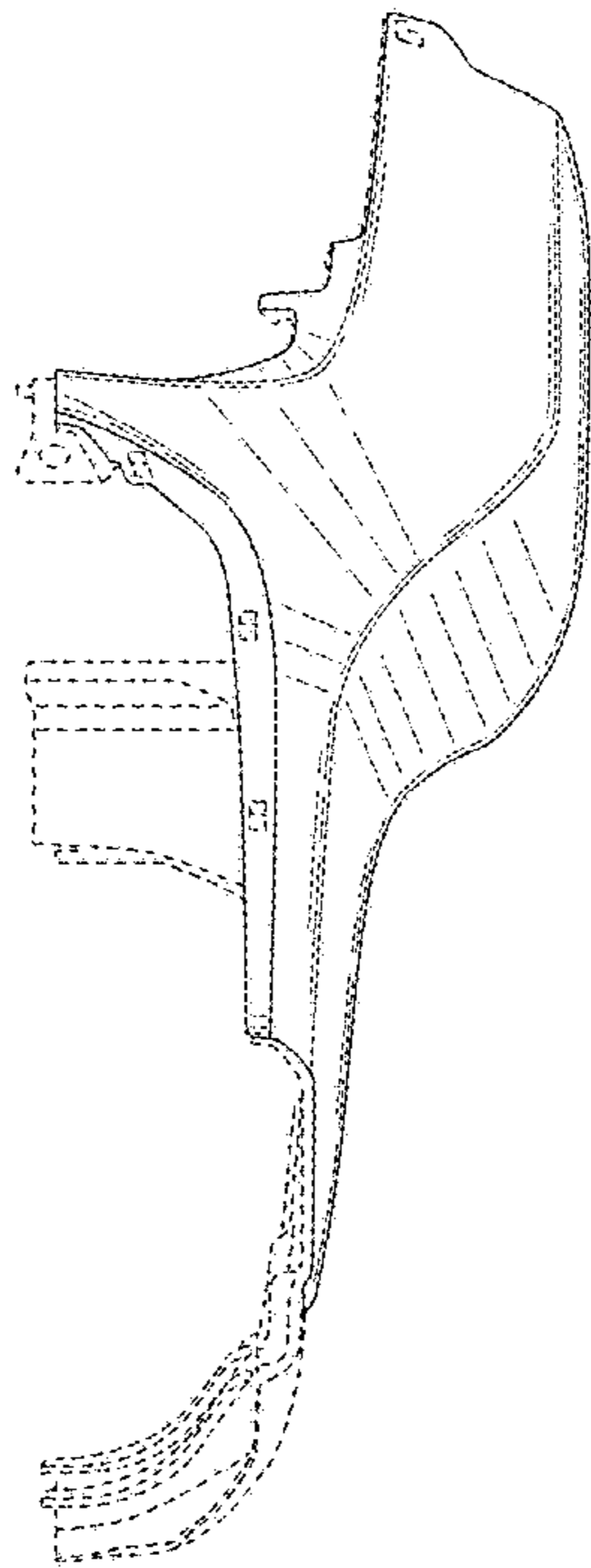


FIG.6



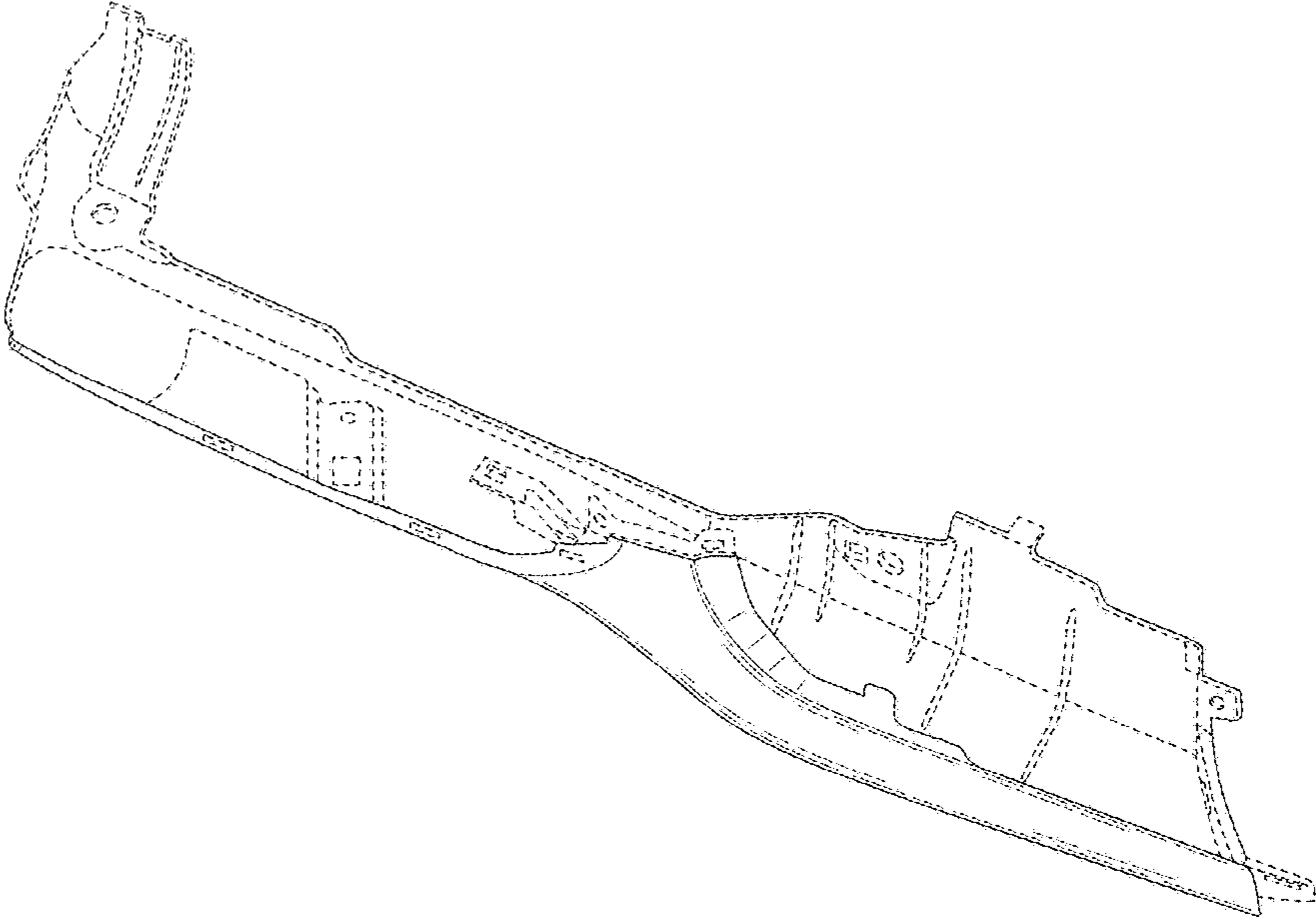


FIG.7

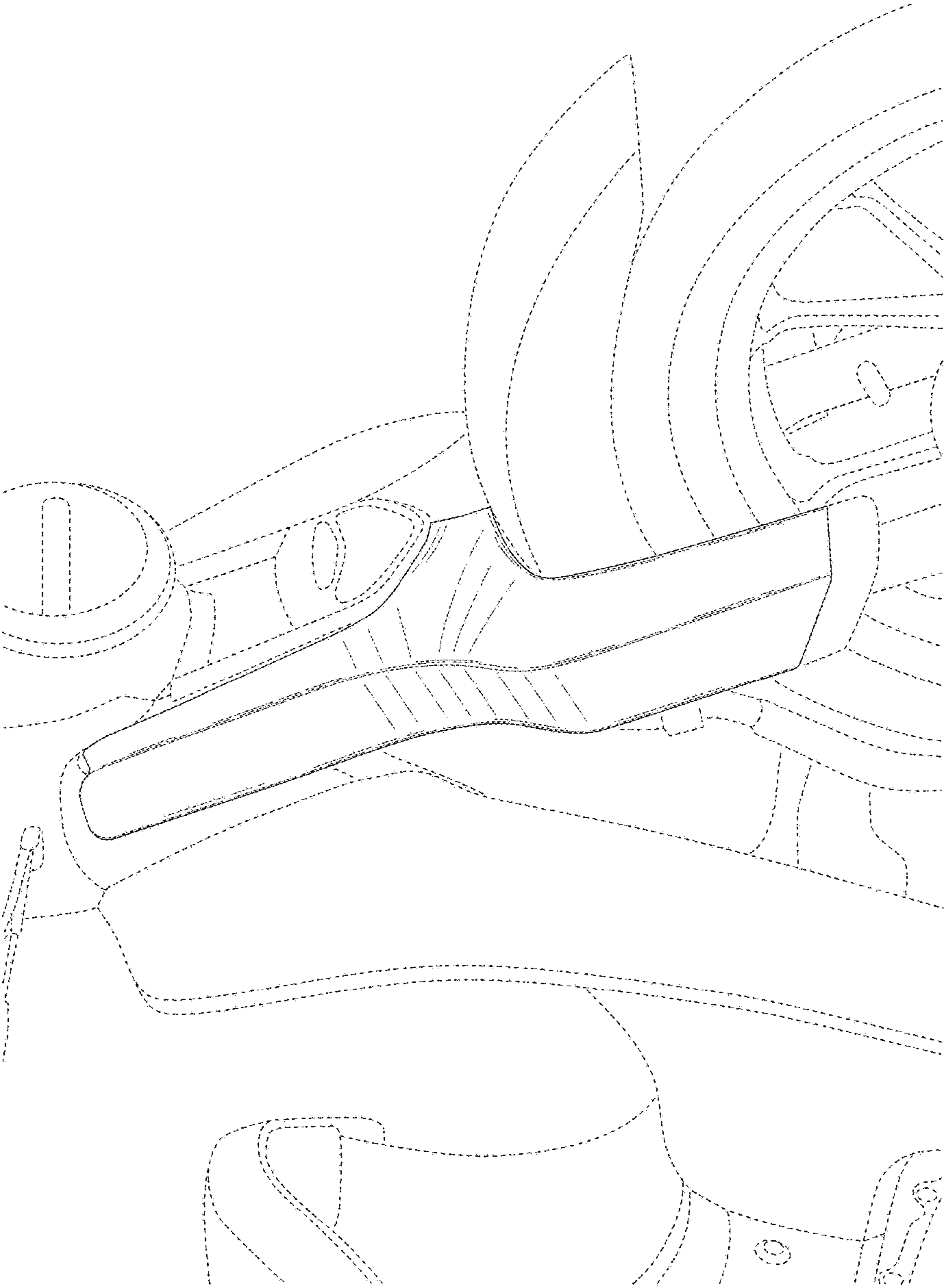


FIG.8