



US00D858358S

(12) **United States Design Patent**
Hutto

(10) **Patent No.:** **US D858,358 S**

(45) **Date of Patent:** **** Sep. 3, 2019**

- (54) **MOTORCYCLE FRAME**
- (71) Applicant: **Arne Todd Hutto**, Edgewater, FL (US)
- (72) Inventor: **Arne Todd Hutto**, Edgewater, FL (US)
- (**) Term: **15 Years**
- (21) Appl. No.: **29/633,569**
- (22) Filed: **Jan. 15, 2018**
- (51) **LOC (12) Cl.** **12-11**
- (52) **U.S. Cl.**
USPC **D12/110**
- (58) **Field of Classification Search**
USPC D12/110, 111, 117; D21/432, 538
CPC B62K 11/00; B62K 11/02; B62K 11/04;
B62K 11/10; B62K 17/00; B62K 19/00;
B62K 2202/00
See application file for complete search history.

D512,345 S *	12/2005	Beich	D12/110
D515,470 S *	2/2006	Sroufe	D12/110
D517,451 S *	3/2006	Alsop	D12/110
D522,928 S *	6/2006	Brown	B62K 11/06
			D12/110
D533,116 S *	12/2006	Sroufe	D12/110
D538,715 S *	3/2007	Brodsky	D12/110
D564,947 S *	3/2008	Garcia	D12/110
D576,080 S *	9/2008	James	D12/110
7,490,688 B2 *	2/2009	Yamamoto	B62H 1/02
			180/227
D601,926 S *	10/2009	Kingsbury	D12/110
D618,596 S *	6/2010	Song	D12/110
7,934,738 B2 *	5/2011	Prieling	B62K 19/06
			180/219
9,457,863 B2 *	10/2016	Sugita	B62K 11/04

* cited by examiner

Primary Examiner — Darlington Ly
(74) *Attorney, Agent, or Firm* — Dunlap Bennett & Ludwig PLLC

(57) **CLAIM**

The ornamental design for a motorcycle frame, as shown and described.

DESCRIPTION

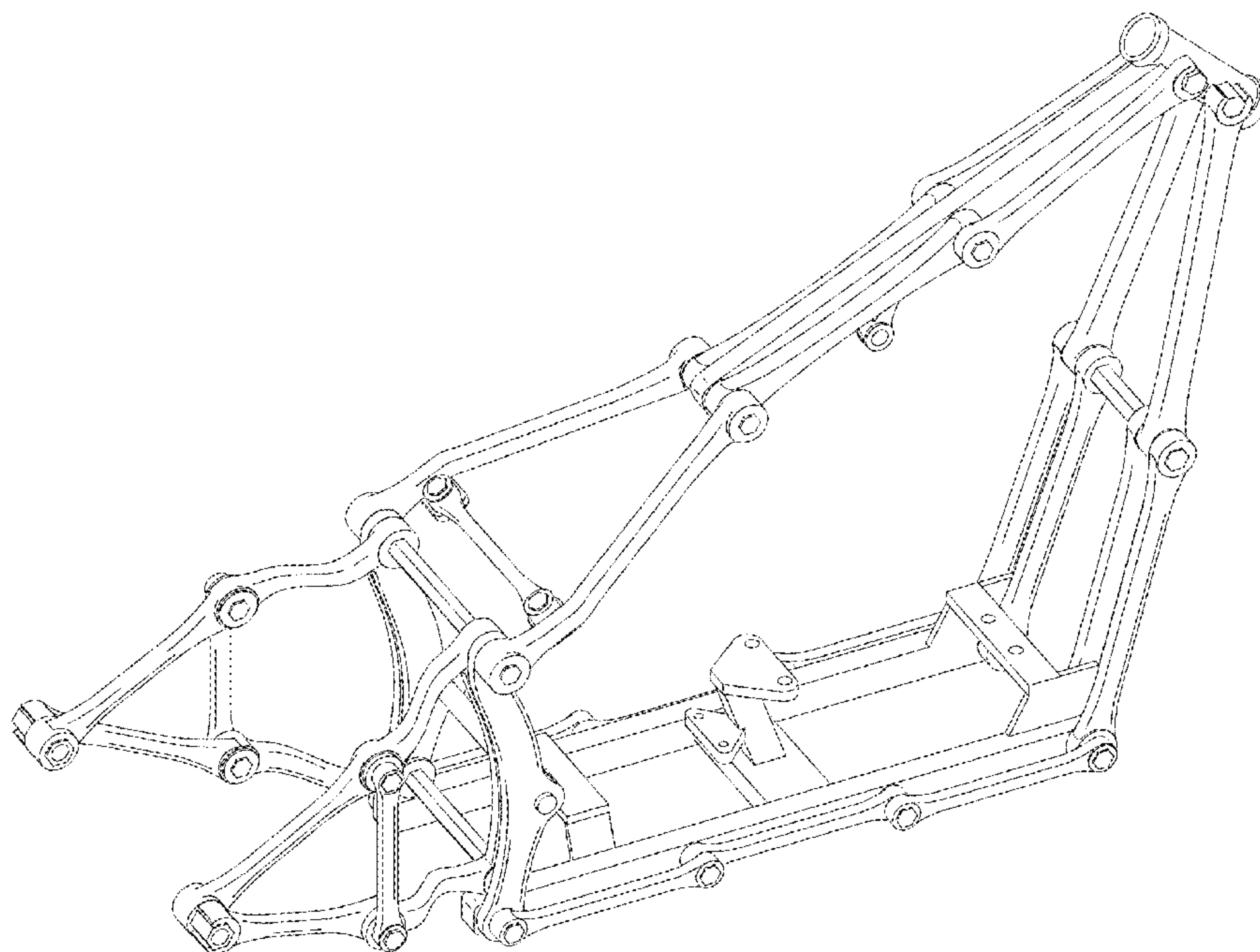
FIG. 1 is a top, rear, and right side perspective view of a motorcycle frame showing my new design;
FIG. 2 is a right side elevation view thereof;
FIG. 3 is a rear elevation view thereof;
FIG. 4 is a left side elevation view thereof;
FIG. 5 is a bottom plan view thereof;
FIG. 6 is a top plan view thereof; and,
FIG. 7 is a front elevation view thereof.

1 Claim, 4 Drawing Sheets

(56) **References Cited**

U.S. PATENT DOCUMENTS

D378,996 S *	4/1997	Ysker	D12/110
D425,453 S *	5/2000	Manescalchi	D12/110
D480,335 S *	10/2003	James	D12/110
D480,664 S *	10/2003	James	D12/110
D480,993 S *	10/2003	James	D12/110
D483,300 S *	12/2003	James	D12/110
D492,917 S *	7/2004	Pedersen	D12/110
D494,106 S *	8/2004	Doll	D12/110
D494,107 S *	8/2004	Lin	D12/110
D498,179 S *	11/2004	James	D12/110
D498,708 S *	11/2004	James	D12/110
D504,358 S *	4/2005	Miller, Jr.	D12/110
D510,546 S *	10/2005	Doll	D12/110



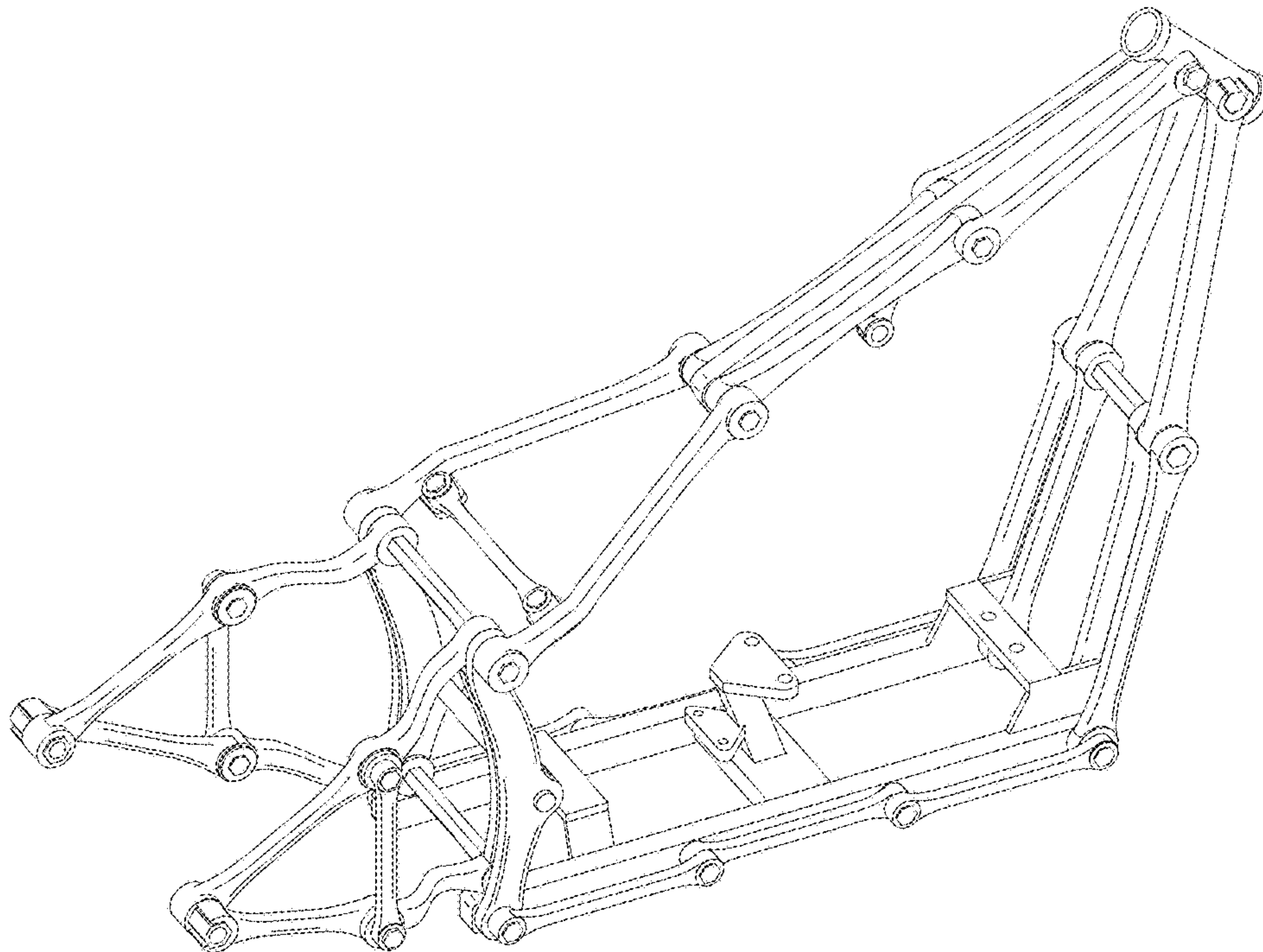


FIG.1

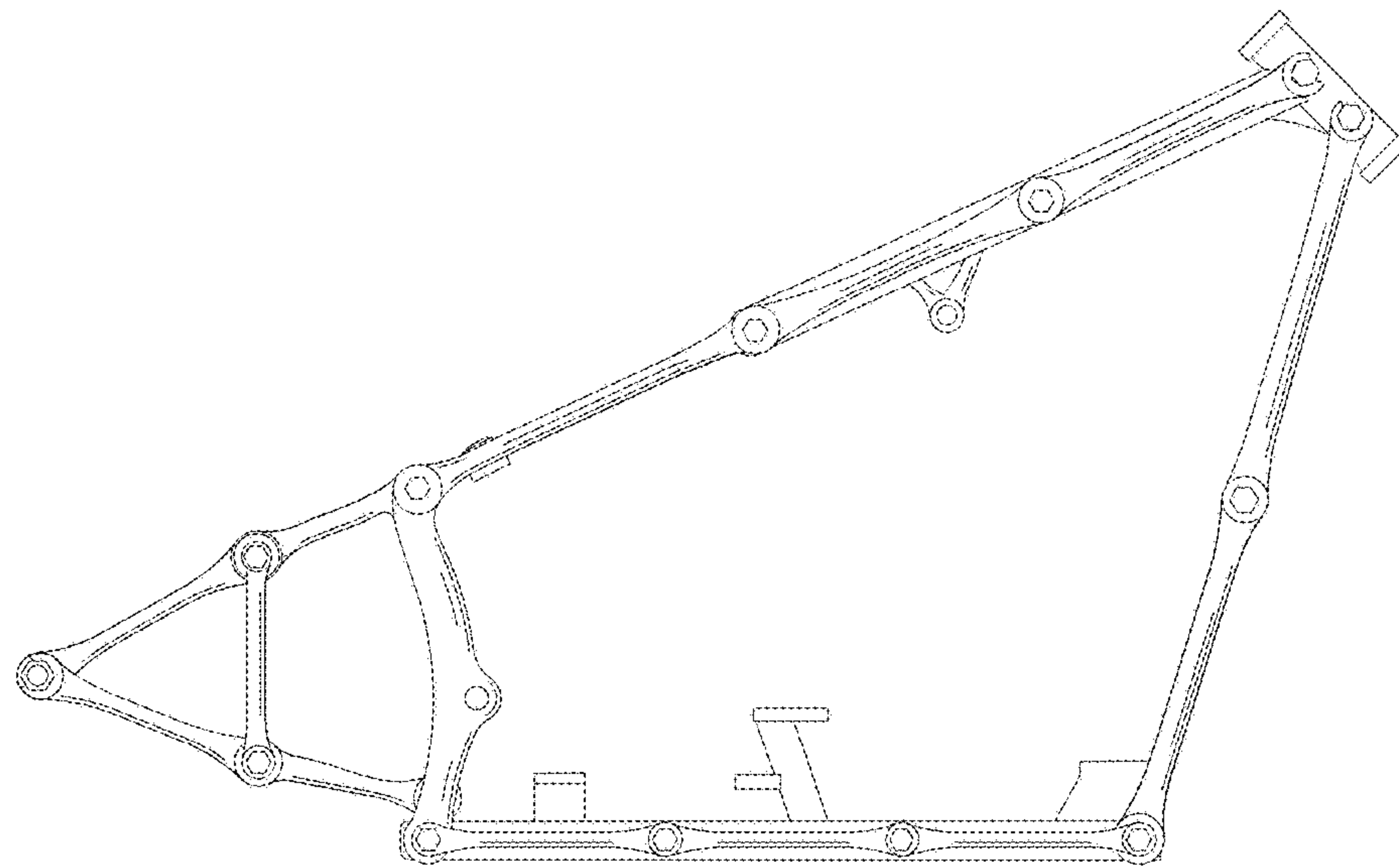


FIG. 2

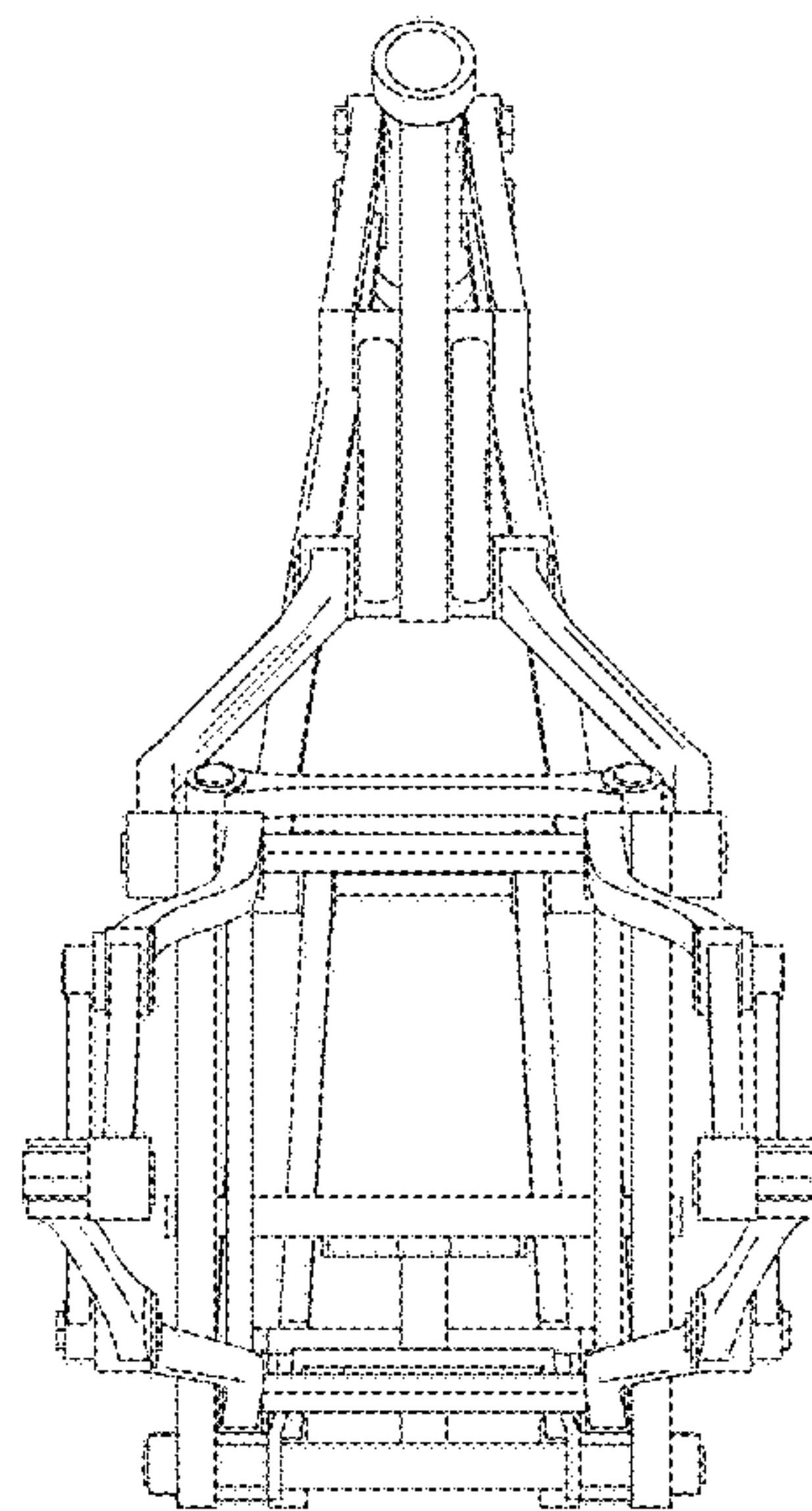


FIG. 3

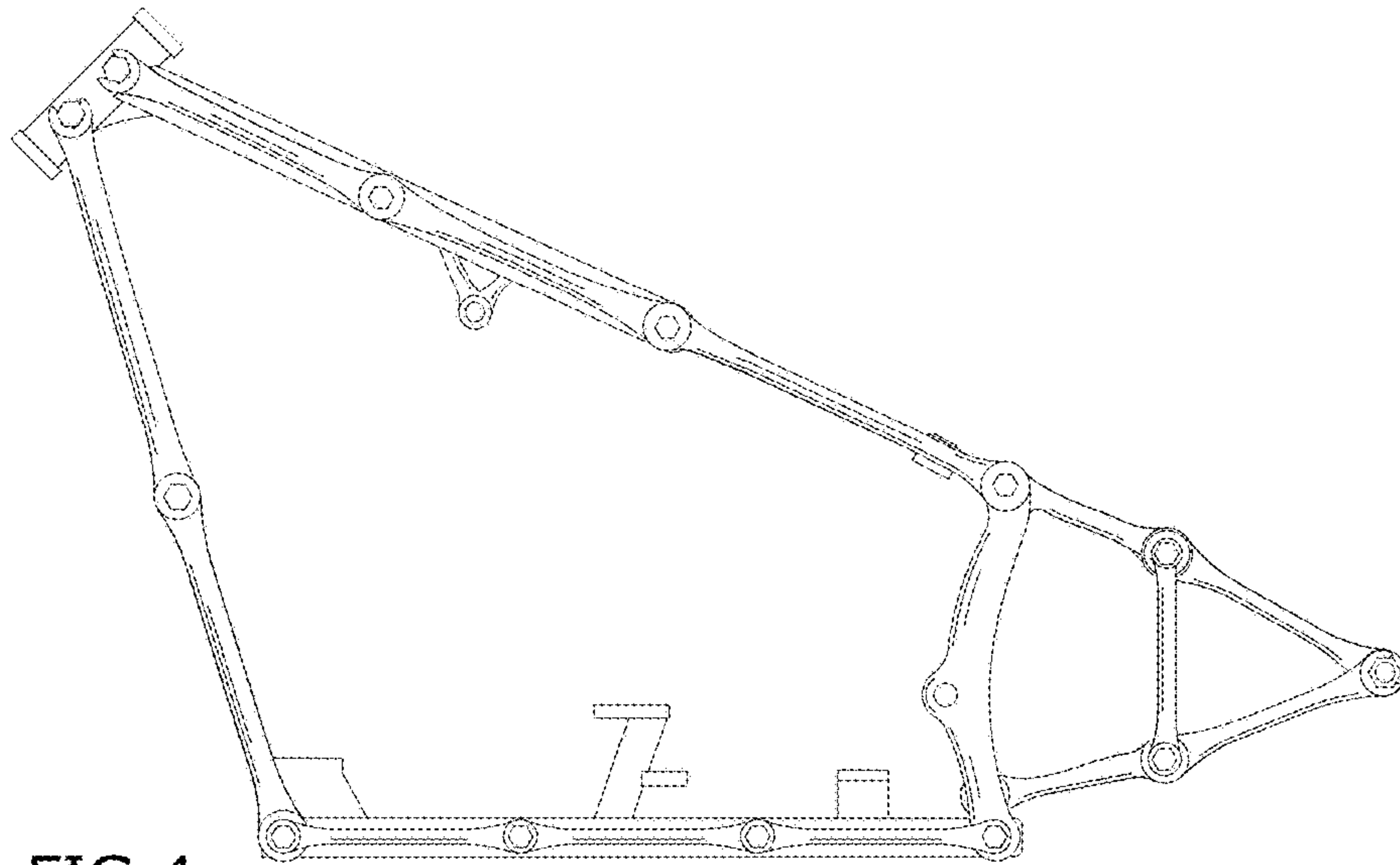


FIG. 4

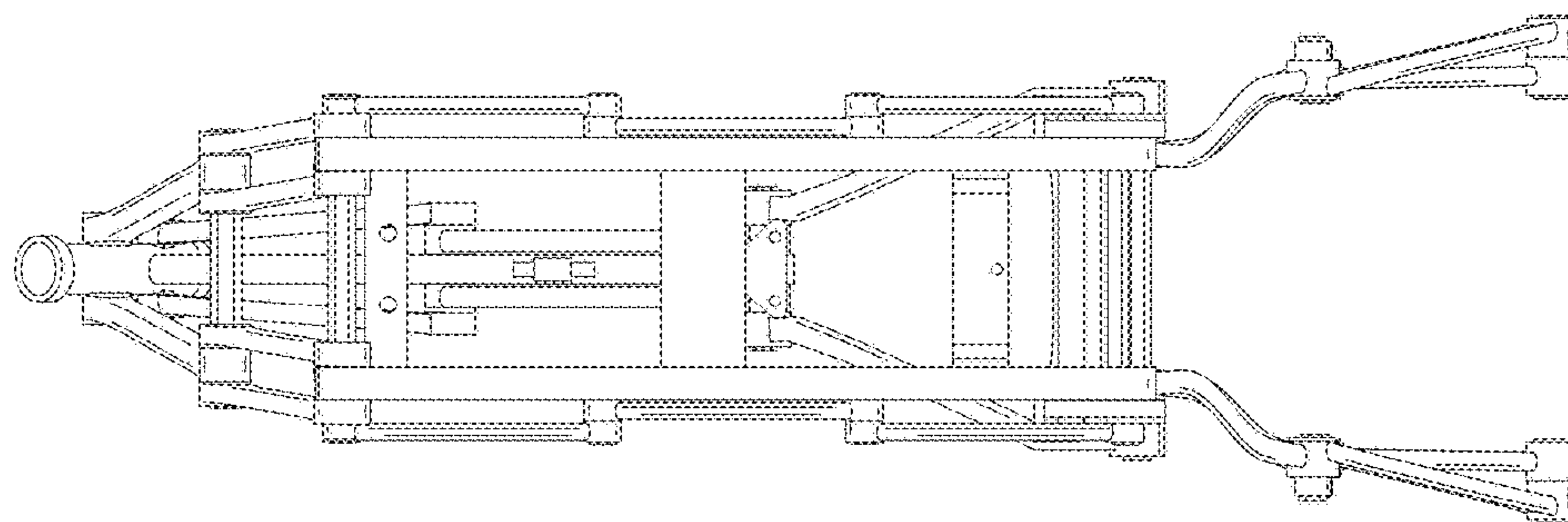


FIG. 5

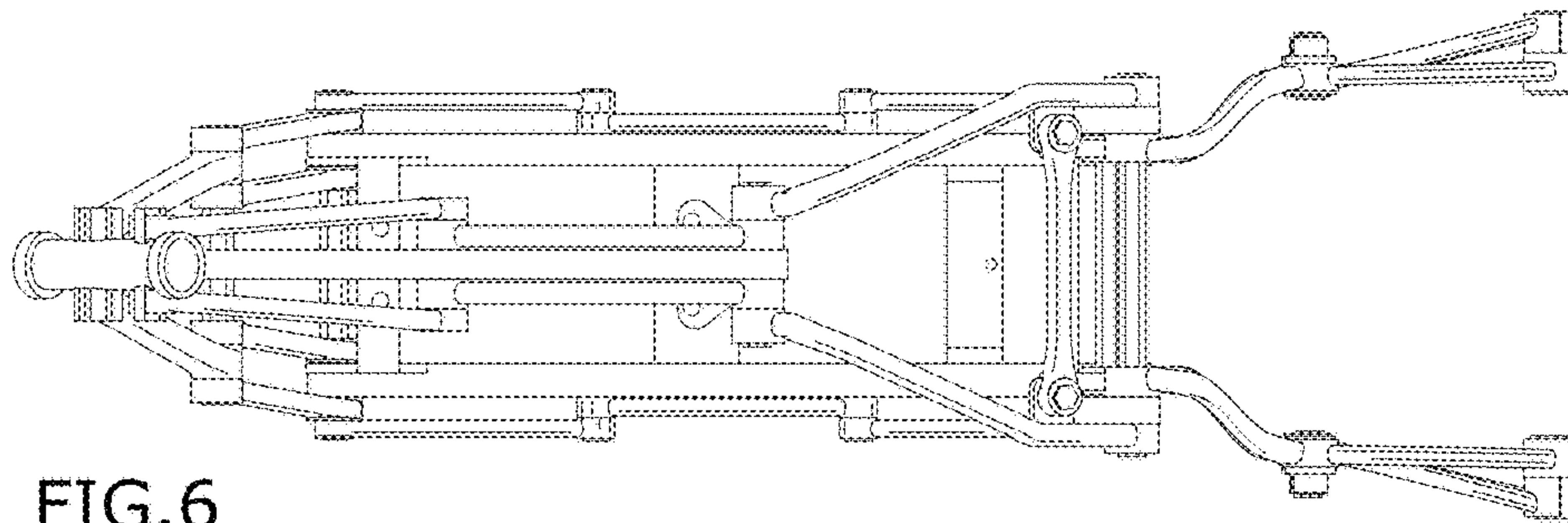


FIG. 6

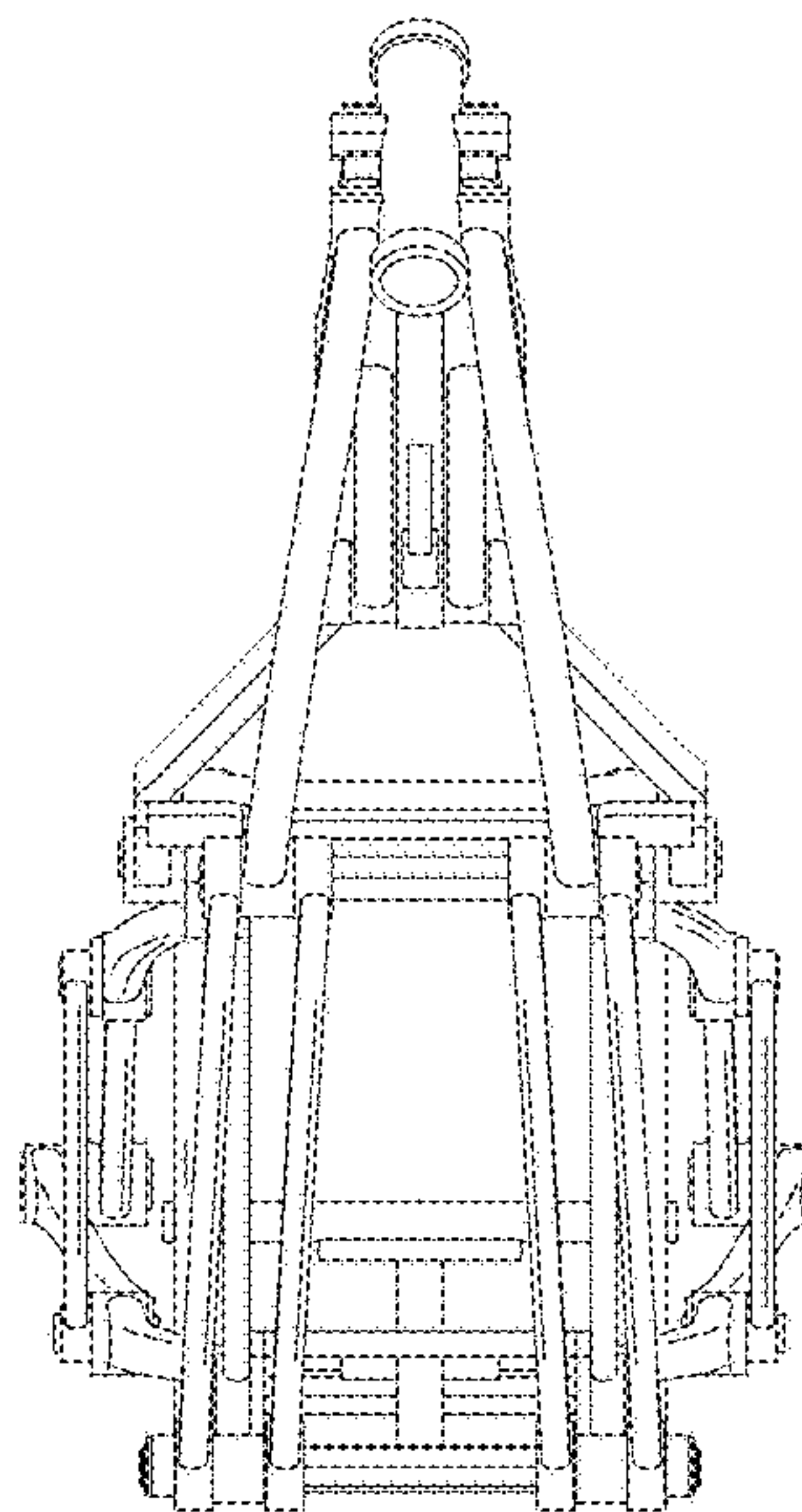


FIG. 7