



US00D858356S

(12) **United States Design Patent** (10) **Patent No.:** **US D858,356 S**
Sapet (45) **Date of Patent:** **** Sep. 3, 2019**

(54) **MOTOR VEHICLE**

(71) Applicant: **NAVYA**, Villeurbanne (FR)

(72) Inventor: **Christophe Sapet**, Marcilly d’Azergues (FR)

(73) Assignee: **NAVYA**, Villeurbanne (FR)

(**) Term: **15 Years**

(21) Appl. No.: **29/635,348**

(22) Filed: **Jan. 30, 2018**

(30) **Foreign Application Priority Data**

Jul. 31, 2017 (EM) 004127876

(51) **LOC (12) Cl.** **12-08**

(52) **U.S. Cl.**
USPC **D12/91; D12/90**

(58) **Field of Classification Search**
USPC D12/86, 90–92, 164; D21/424, 433, 434,
D21/533; 296/181.1–181.5, 183.1
CPC B62D 25/00; B62D 25/06; B62D 33/06;
B62D 35/00
See application file for complete search history.

(56) **References Cited**

U.S. PATENT DOCUMENTS

D295,392 S * 4/1988 Machida D12/90
D297,626 S * 9/1988 London D12/90

D305,624 S * 1/1990 Doyle D12/90
D307,247 S * 4/1990 Clenet D12/90
D340,010 S * 10/1993 Guedon D12/90
D457,468 S * 5/2002 Jenkins D12/90
D531,934 S * 11/2006 Nagura D12/90
D624,456 S * 9/2010 Loeb D12/86
D781,182 S * 3/2017 Guerrieri D12/91
D818,875 S * 5/2018 Bischoff D12/90
D820,161 S * 6/2018 Dunford D12/91
D835,000 S * 12/2018 Tomasson D12/91
D845,171 S * 4/2019 Kang D12/90

* cited by examiner

Primary Examiner — Melody N Brown

(74) *Attorney, Agent, or Firm* — Kolisch Hartwell, P.C.

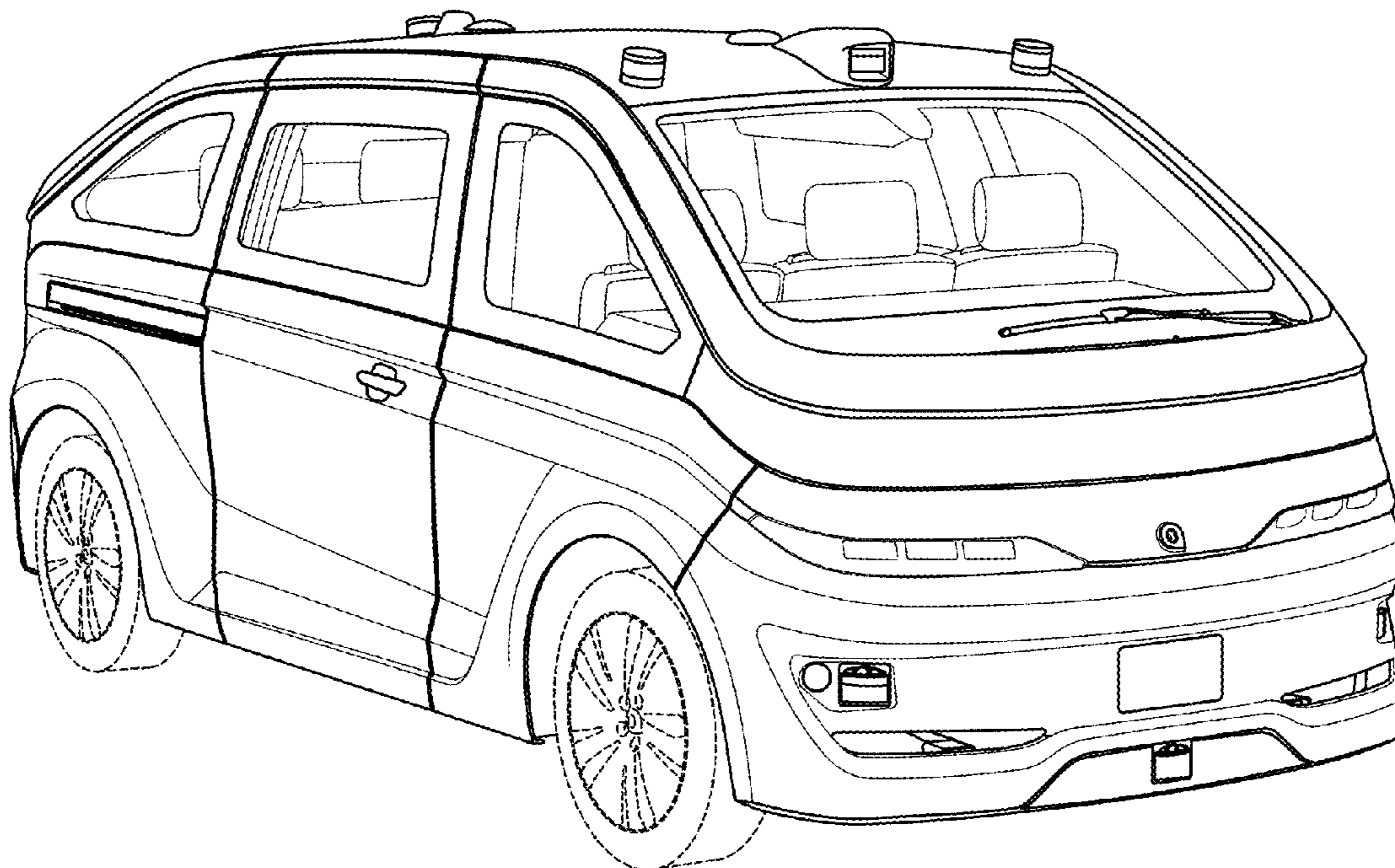
(57) **CLAIM**

The ornamental design for a motor vehicle, as shown and described.

DESCRIPTION

FIG. 1 is a front and left side perspective view of a motor vehicle showing my new design;
FIG. 2 is a rear and right side perspective view thereof;
FIG. 3 is a left side elevational view thereof;
FIG. 4 is a right side elevational view thereof;
FIG. 5 is a top plan view thereof;
FIG. 6 is a front elevational view thereof; and,
FIG. 7 is a rear elevational view thereof.
The wheels shown in broken lines are for illustrative and environmental purposes and form no part of the claimed design.

1 Claim, 7 Drawing Sheets



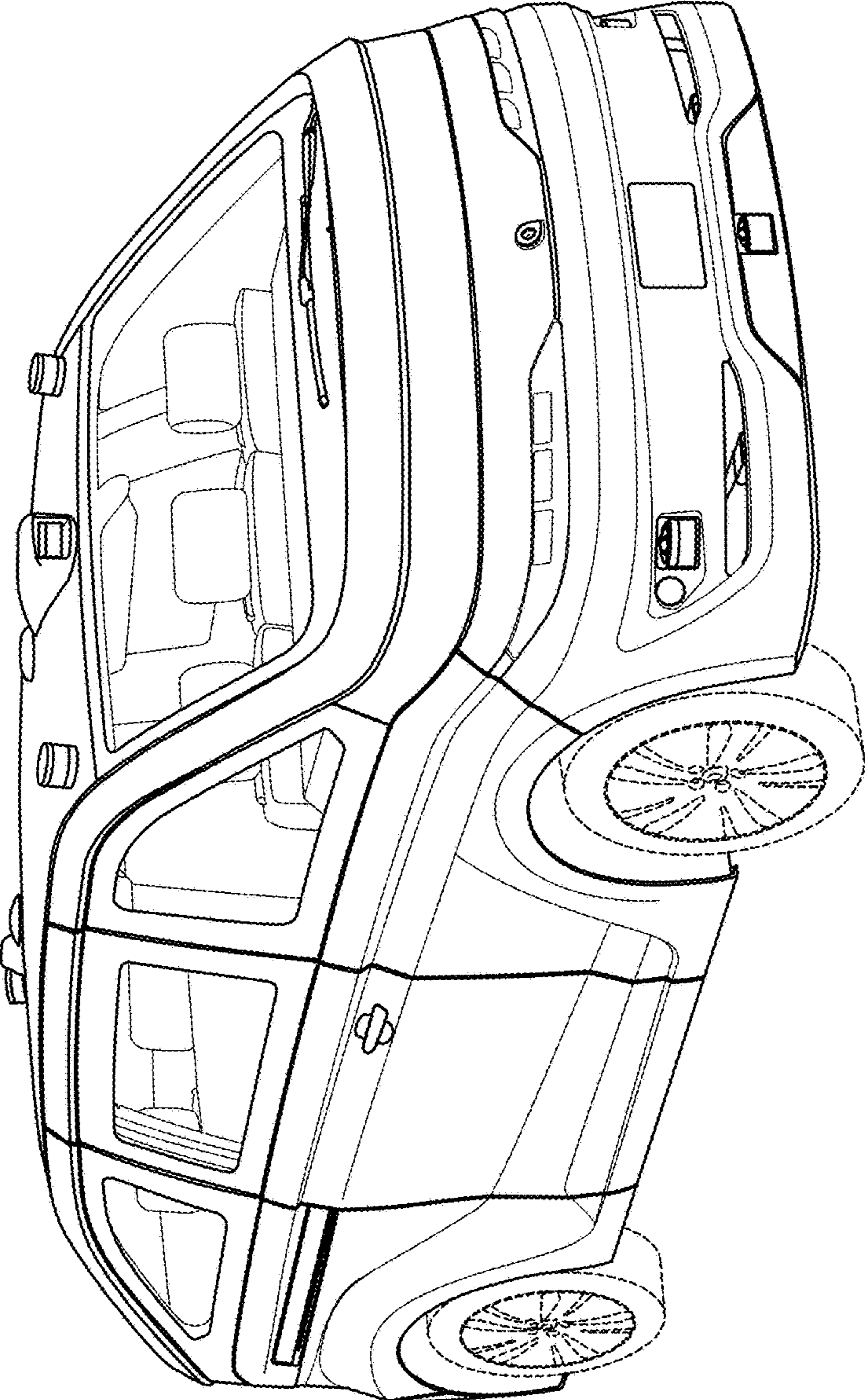


FIG. 1

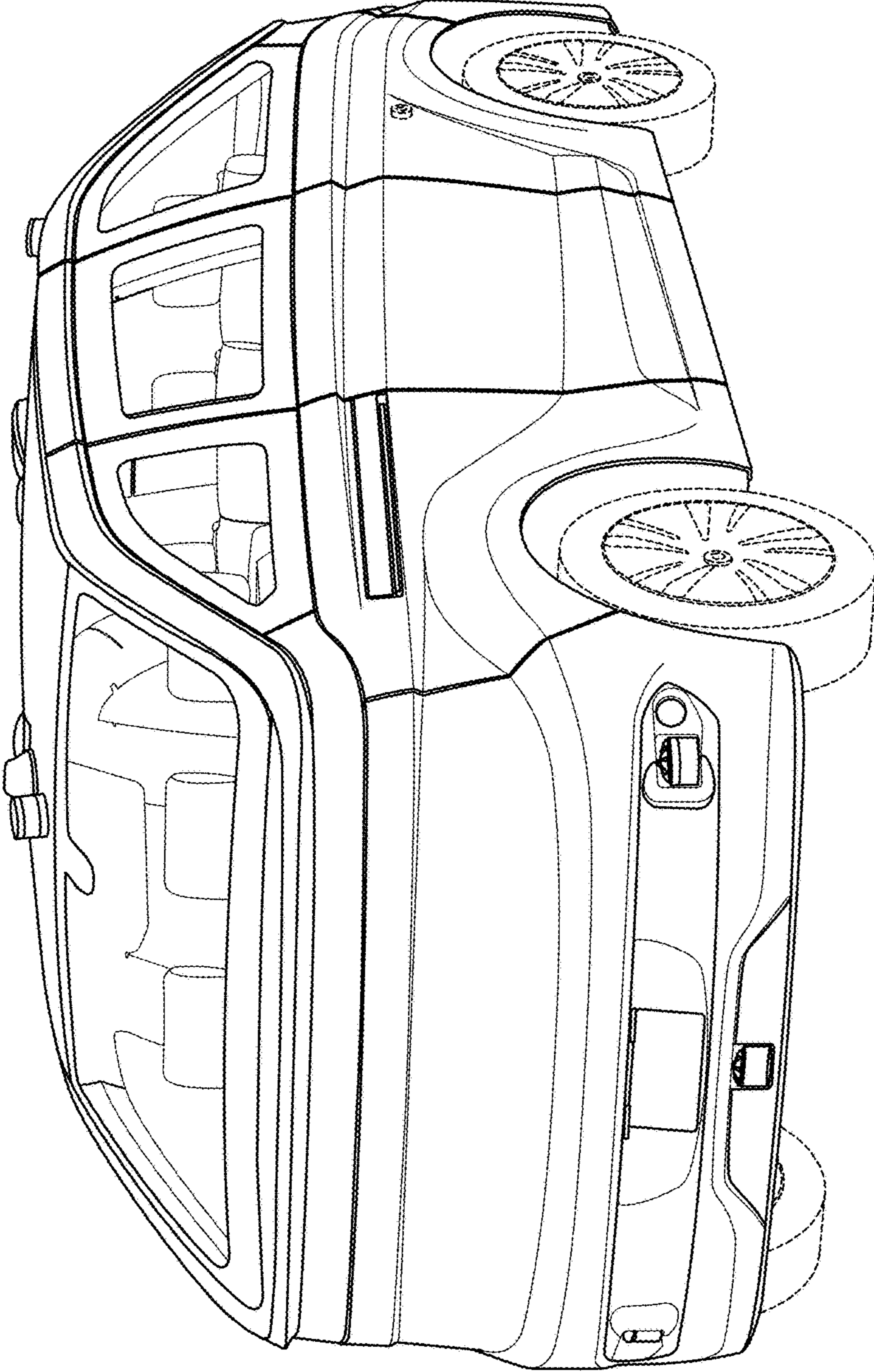


FIG. 2

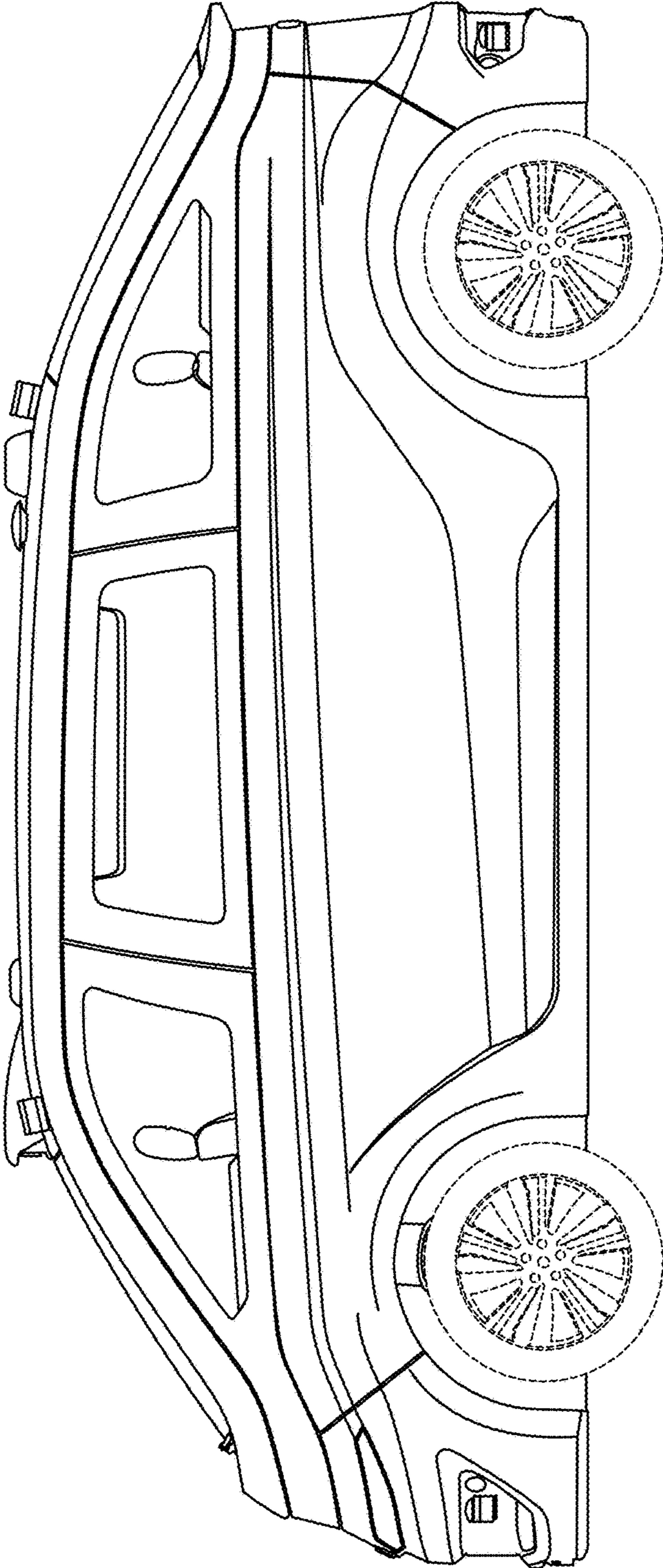


FIG. 3

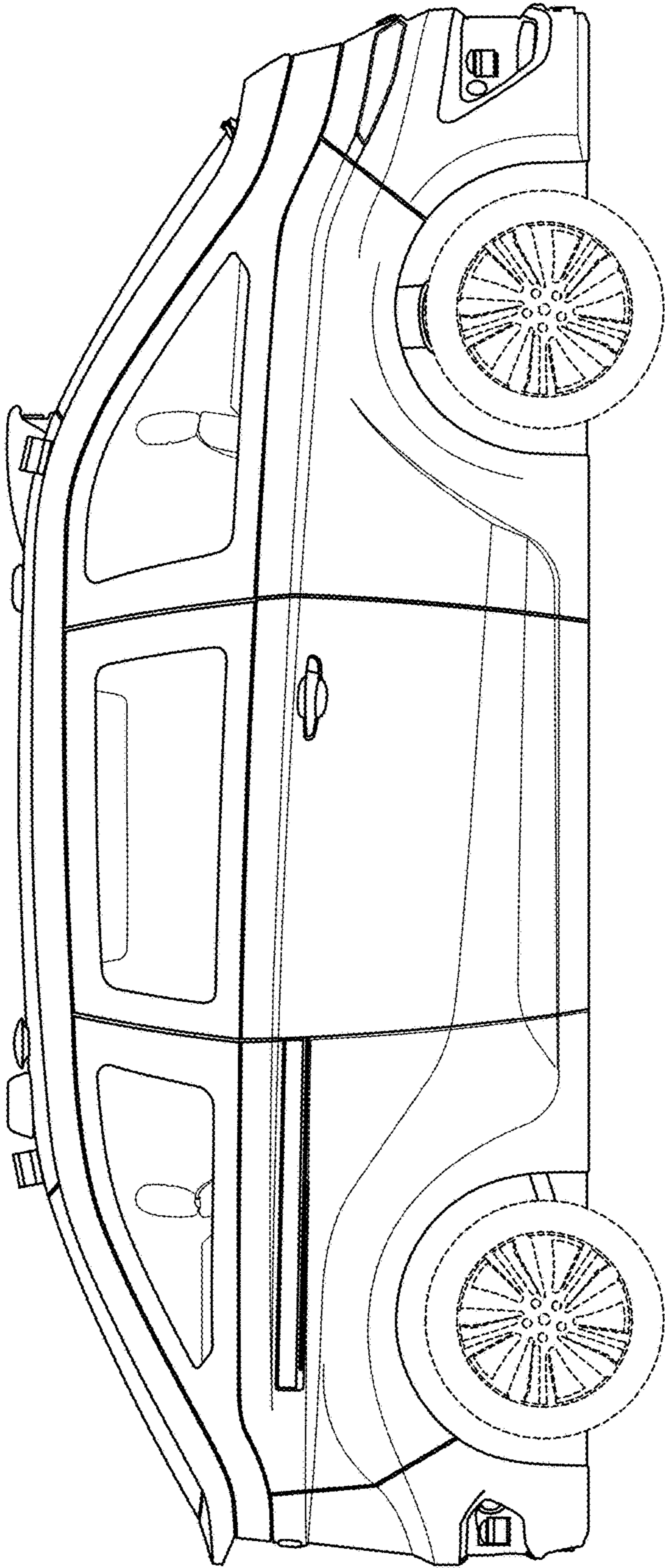


FIG. 4

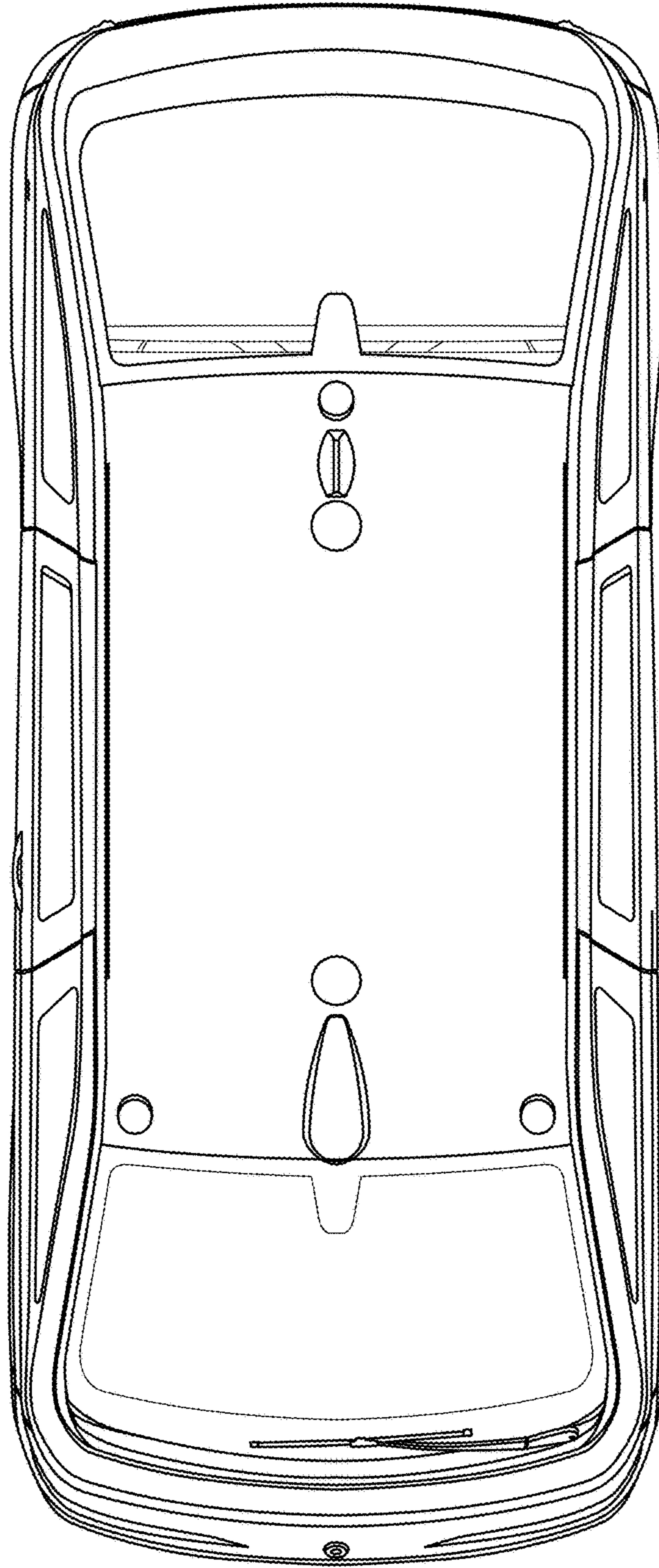


FIG. 5

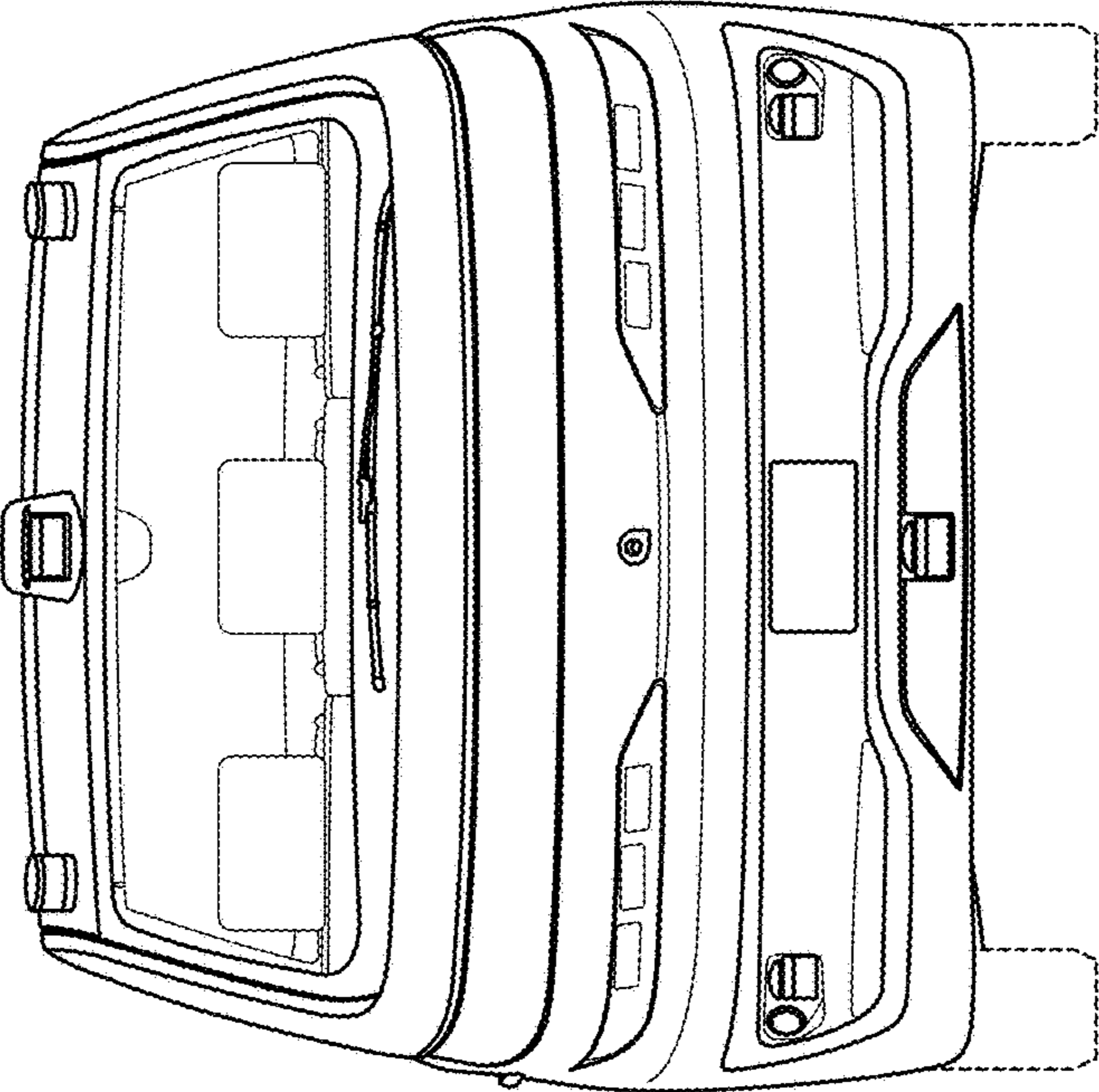


FIG. 6

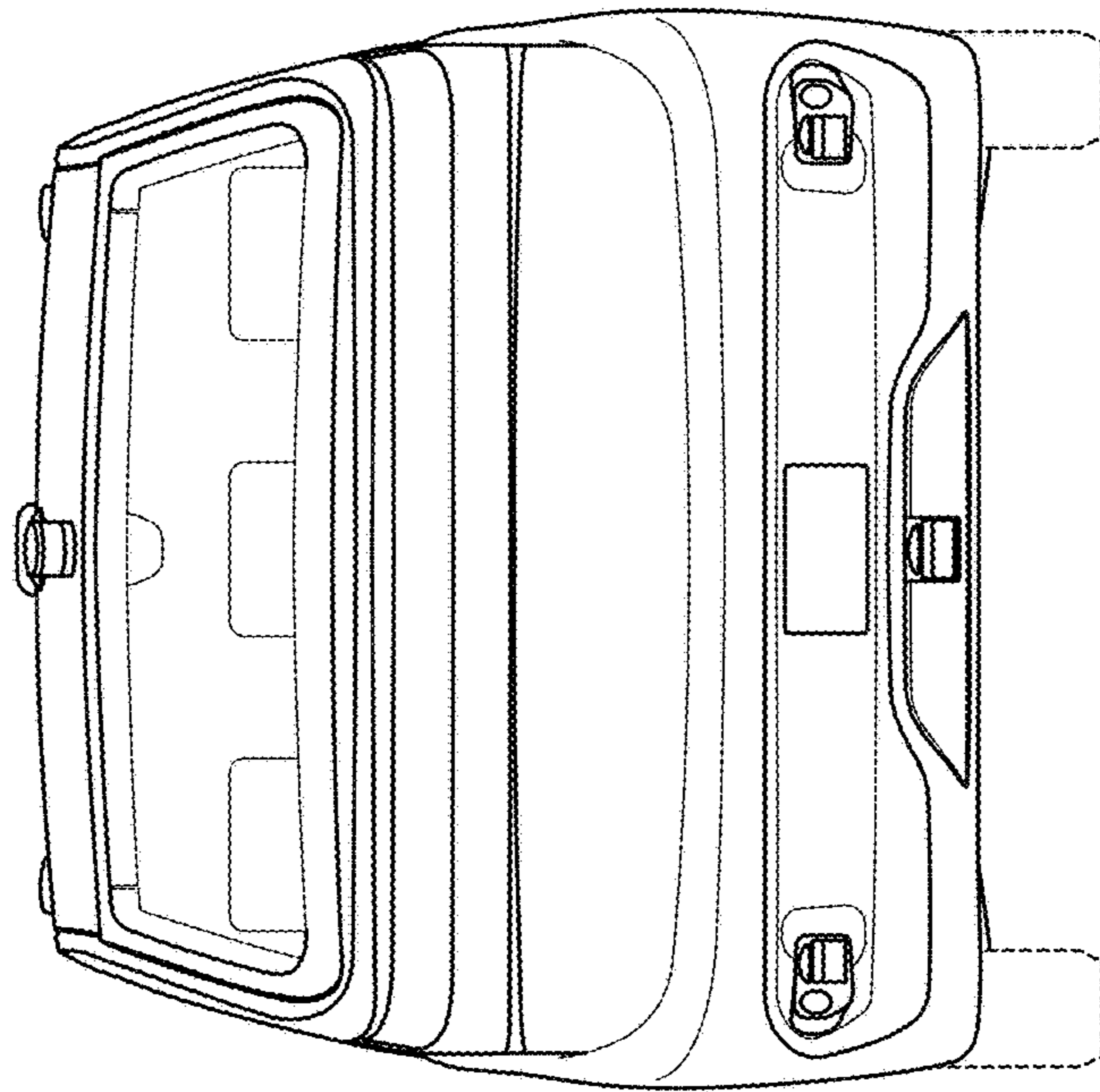


FIG. 7