



US00D858355S

(12) **United States Design Patent** (10) **Patent No.:** **US D858,355 S**
Scheinhütte (45) **Date of Patent:** **** Sep. 3, 2019**

(54) **MOTOR VEHICLE, TOY AND/OR REPLICA**

(71) Applicant: **Dr. Ing. h.c. F. Porsche**
Aktiengesellschaft, Stuttgart (DE)

(72) Inventor: **Ingo Scheinhütte, Eberdingen (DE)**

(73) Assignee: **Dr. Ing. h.c. F. Porsche**
Aktiengesellschaft (DE)

(**) Term: **15 Years**

(21) Appl. No.: **29/621,747**

(22) Filed: **Oct. 11, 2017**

(30) **Foreign Application Priority Data**

Apr. 12, 2017 (DE) 40 2017 100 509

(51) **LOC (12) Cl.** **12-08**

(52) **U.S. Cl.**
USPC **D12/91**

(58) **Field of Classification Search**
USPC D12/86, 90-92; D21/424, 433, 434, 533;
296/181.1-181.5, 183.1
CPC B62D 25/00; B62D 25/06; B62D 33/00;
B62D 35/00
See application file for complete search history.

(56) **References Cited**

U.S. PATENT DOCUMENTS

D468,237 S	1/2003	Murkett	
D537,383 S *	2/2007	Kato	D12/91
D588,047 S	3/2009	Kulla	
D600,594 S	9/2009	Kulla	
D622,184 S	8/2010	Borkert	
D622,632 S	8/2010	Borkert	
D649,911 S *	12/2011	Okumoto	D12/92
D686,531 S *	7/2013	Lamm	D12/91
D690,620 S *	10/2013	Scheinhutte	D12/92

D696,159 S	12/2013	Borkert	
D697,453 S	1/2014	Borkert	
D702,152 S	4/2014	Borkert	
D712,790 S	9/2014	Scheinhütte	
D712,791 S	9/2014	Scheinhütte	
D715,196 S	10/2014	Yamashita	
D756,849 S *	5/2016	Garcia Lopez	D12/92
D789,251 S *	6/2017	Varga	D12/91
D789,832 S *	6/2017	Varga	D12/91
D790,401 S	6/2017	Scheinhütte	
D796,997 S *	9/2017	Varga	D12/91
D805,432 S	12/2017	Scheinhütte	
D805,433 S	12/2017	Scheinhütte	
D826,781 S *	8/2018	Scheinhutte	D12/91

OTHER PUBLICATIONS

Design U.S. Appl. No. 29/576,780, by Scheinhütte, filed Sep. 7, 2016.

(Continued)

Primary Examiner — Melody N Brown

(74) *Attorney, Agent, or Firm* — RatnerPrestia

(57) **CLAIM**

The ornamental design for a motor vehicle, toy and/or replica, as shown and described.

DESCRIPTION

FIG. 1 is a front perspective view of a motor vehicle, toy and/or replica;

FIG. 2 is a rear perspective view thereof;

FIG. 3 is a front elevation view thereof;

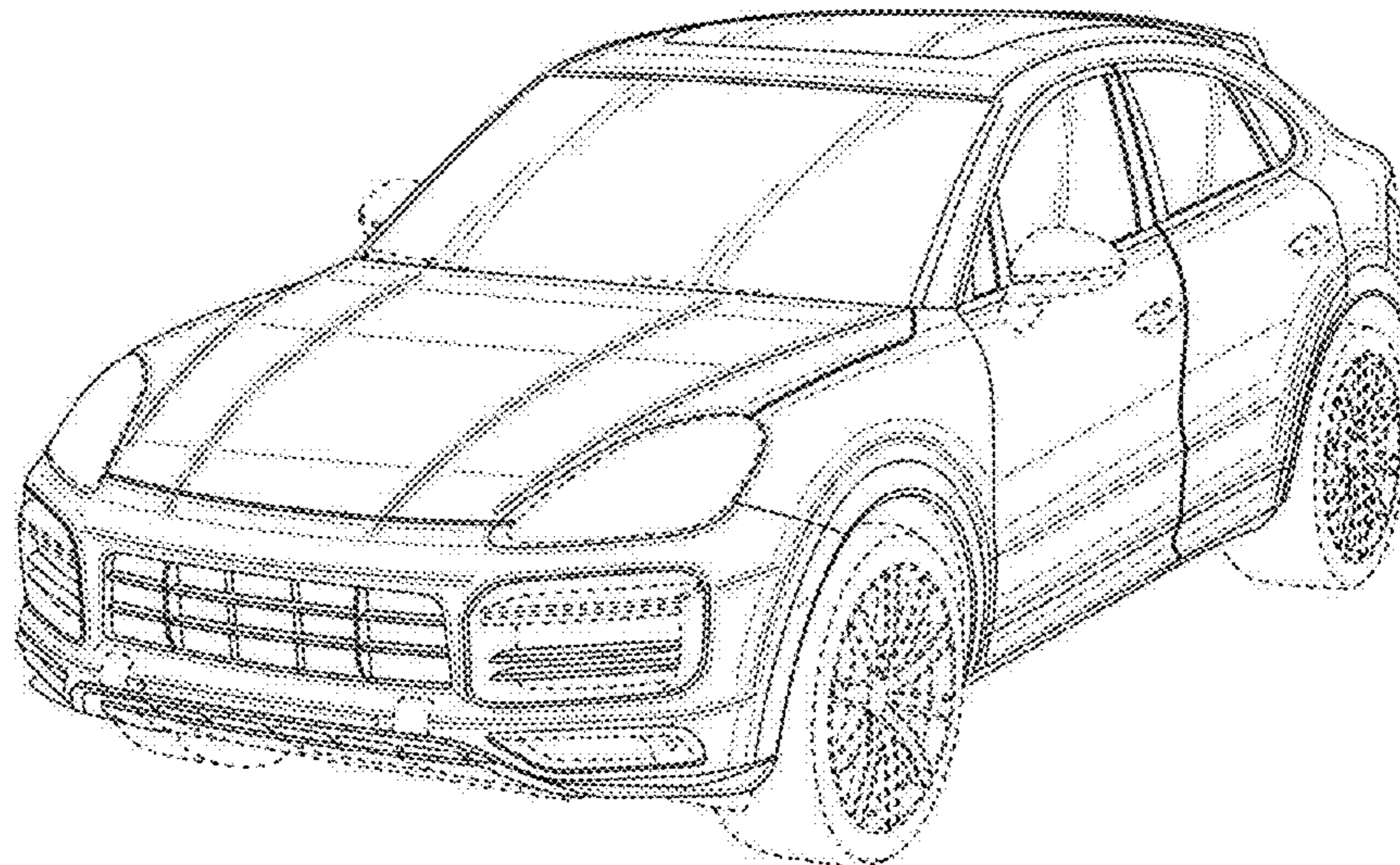
FIG. 4 is a rear elevation view thereof;

FIG. 5 is a left elevation view thereof; and,

FIG. 6 is a top plan view thereof.

The portions of the vehicle shown in broken lines are for illustrative and environmental purposes and form no part of the claimed design.

1 Claim, 6 Drawing Sheets



(56)

References Cited

OTHER PUBLICATIONS

Design U.S. Appl. No. 29/592,891, by Yamashita, filed Feb. 3, 2017.

Design U.S. Appl. No. 29/592,896, by Yamashita, filed Feb. 3, 2017.

Design U.S. Appl. No. 29/621,743, by Scheinhütte, filed Oct. 11, 2017.

Design U.S. Appl. No. 29/621,745, by Scheinhütte, filed Oct. 11, 2017.

Design U.S. Appl. No. 29/621,749, by Scheinhütte, filed Oct. 11, 2017.

* cited by examiner

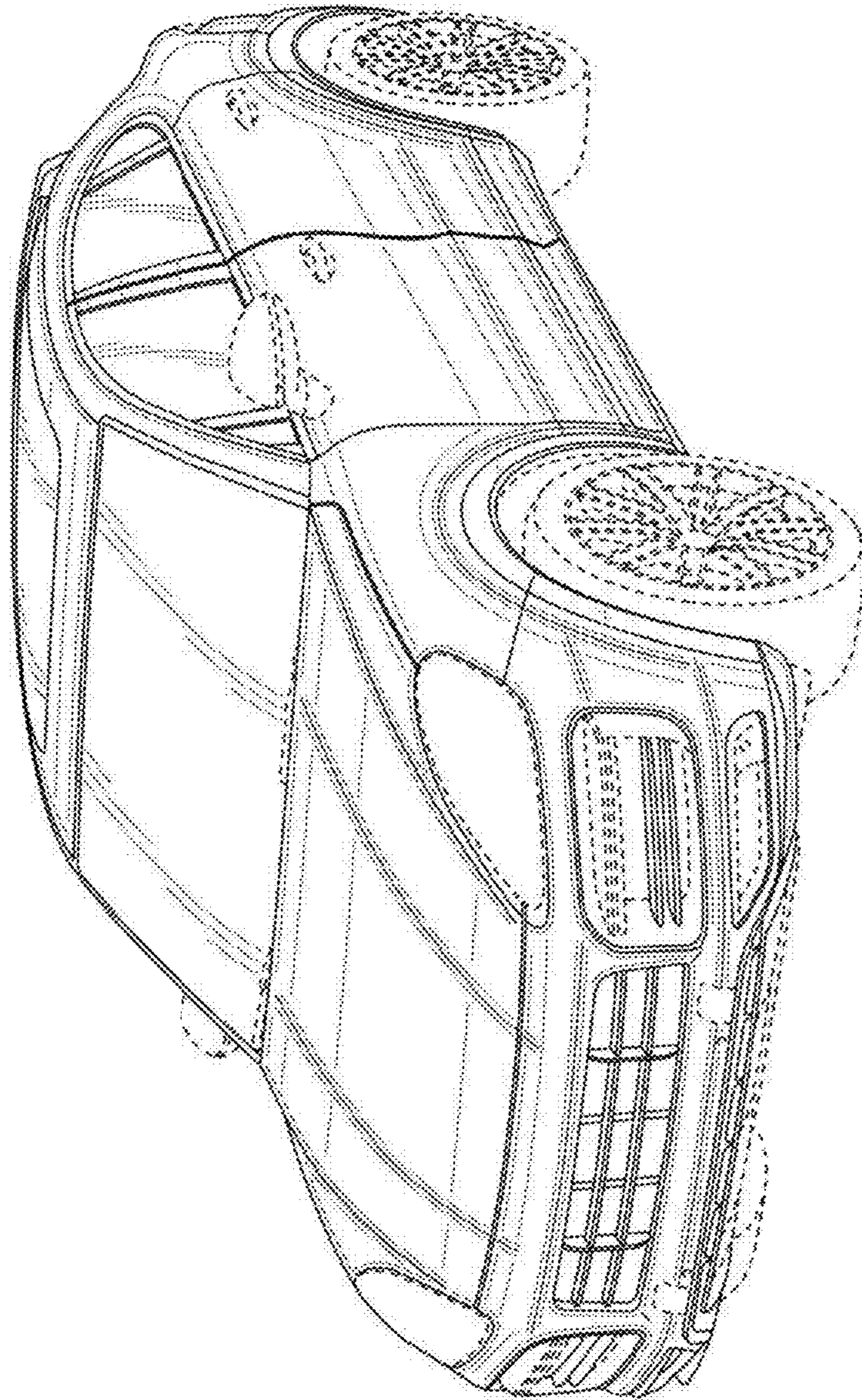


FIG. 1

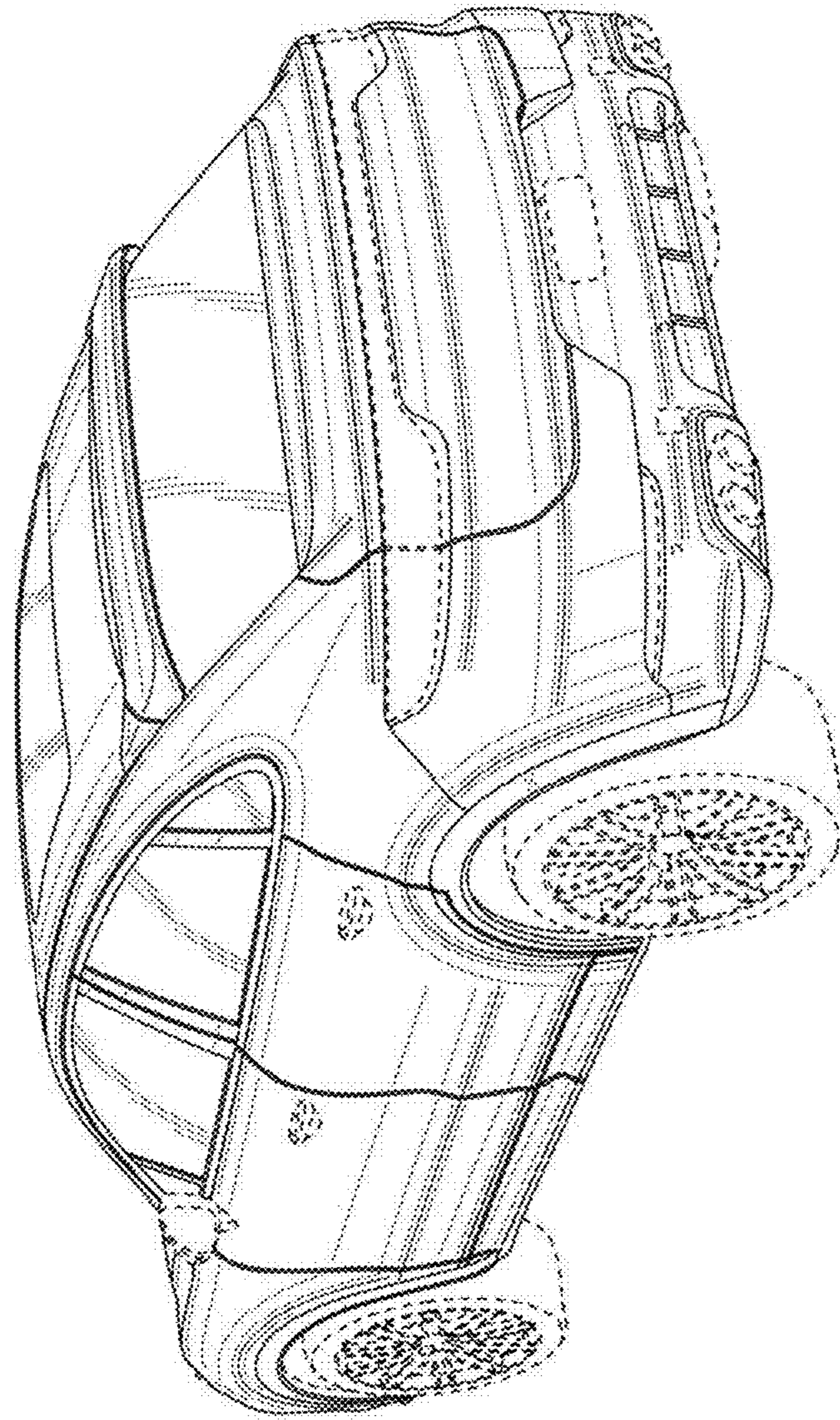


FIG. 2

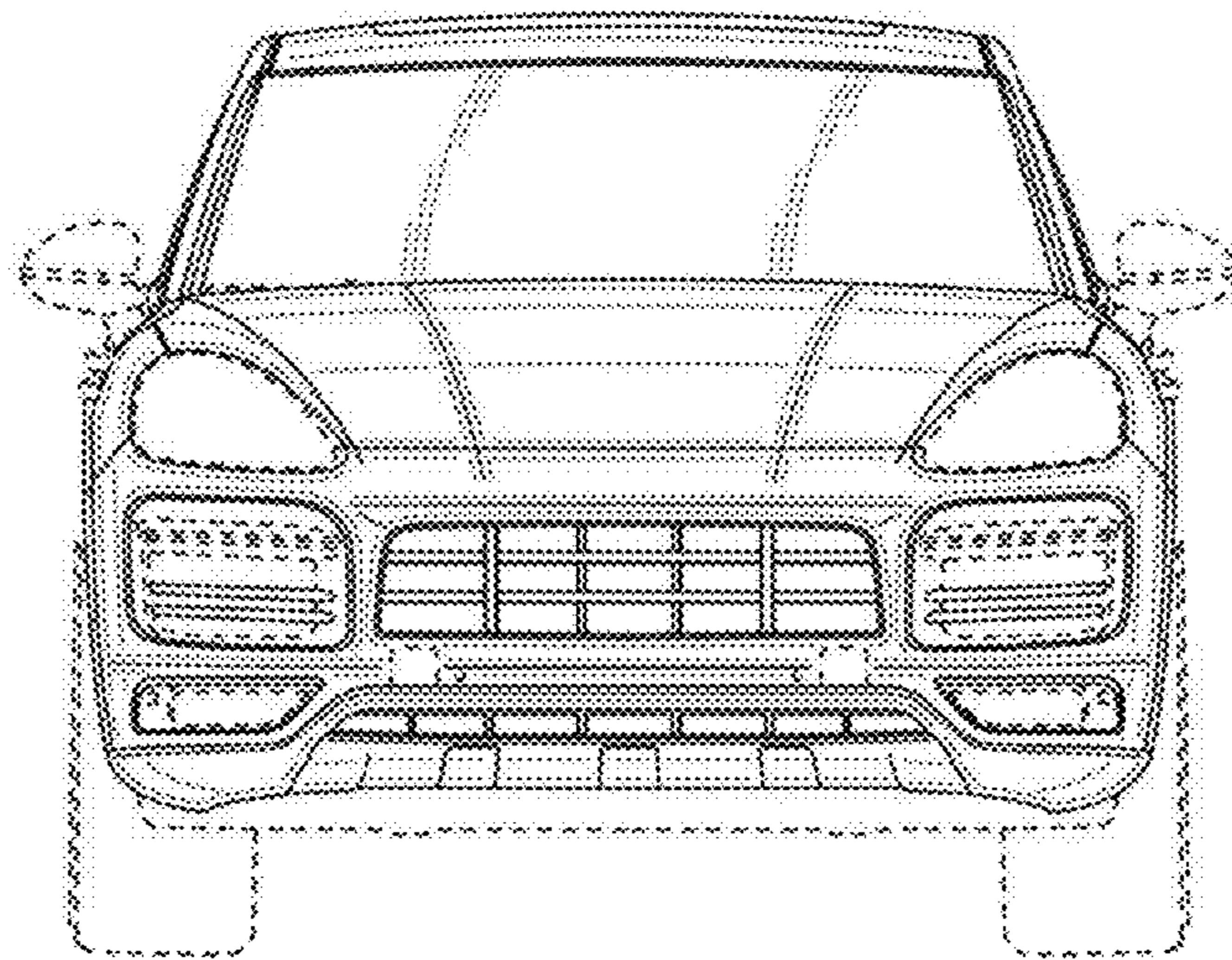


FIG. 3

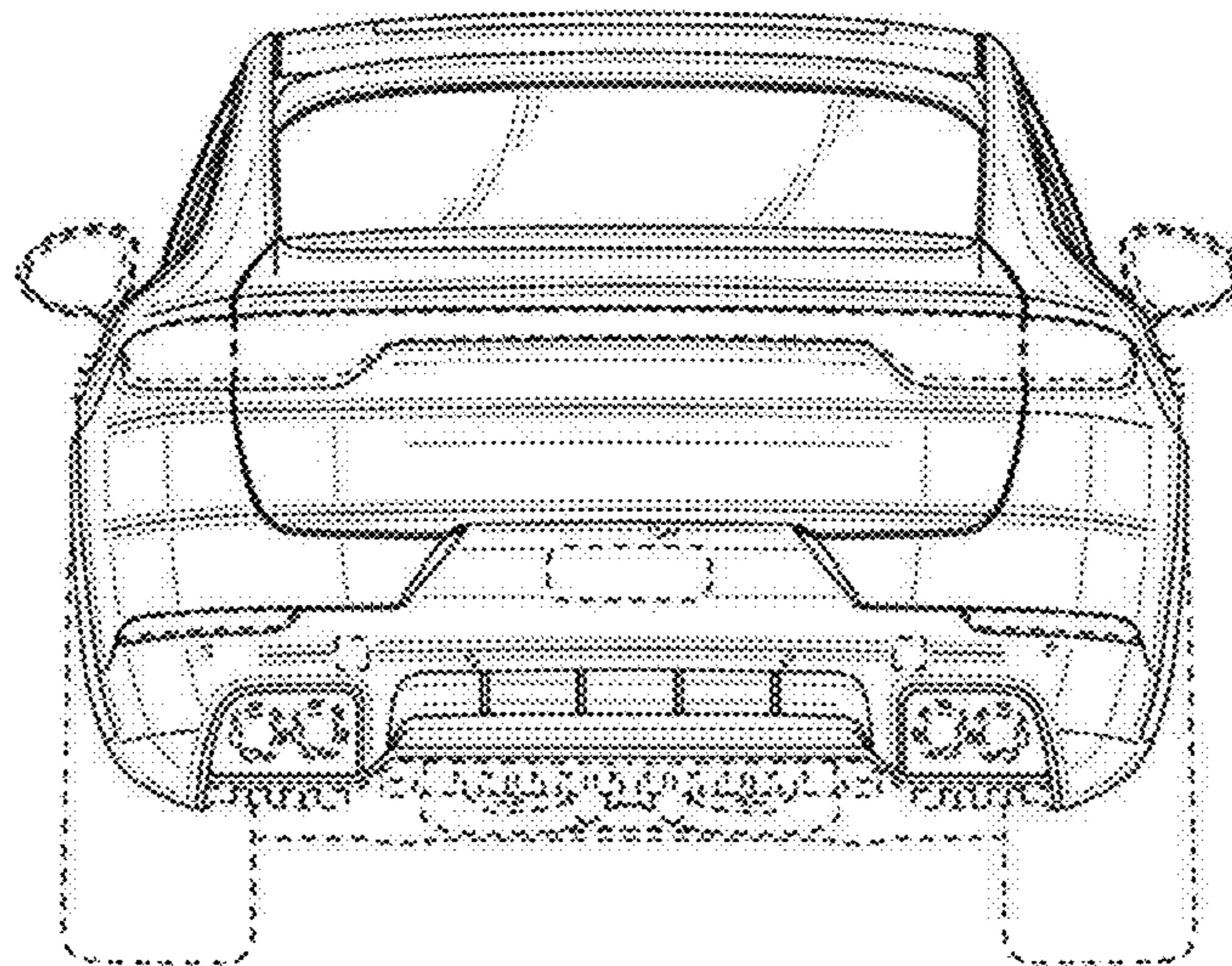


FIG. 4

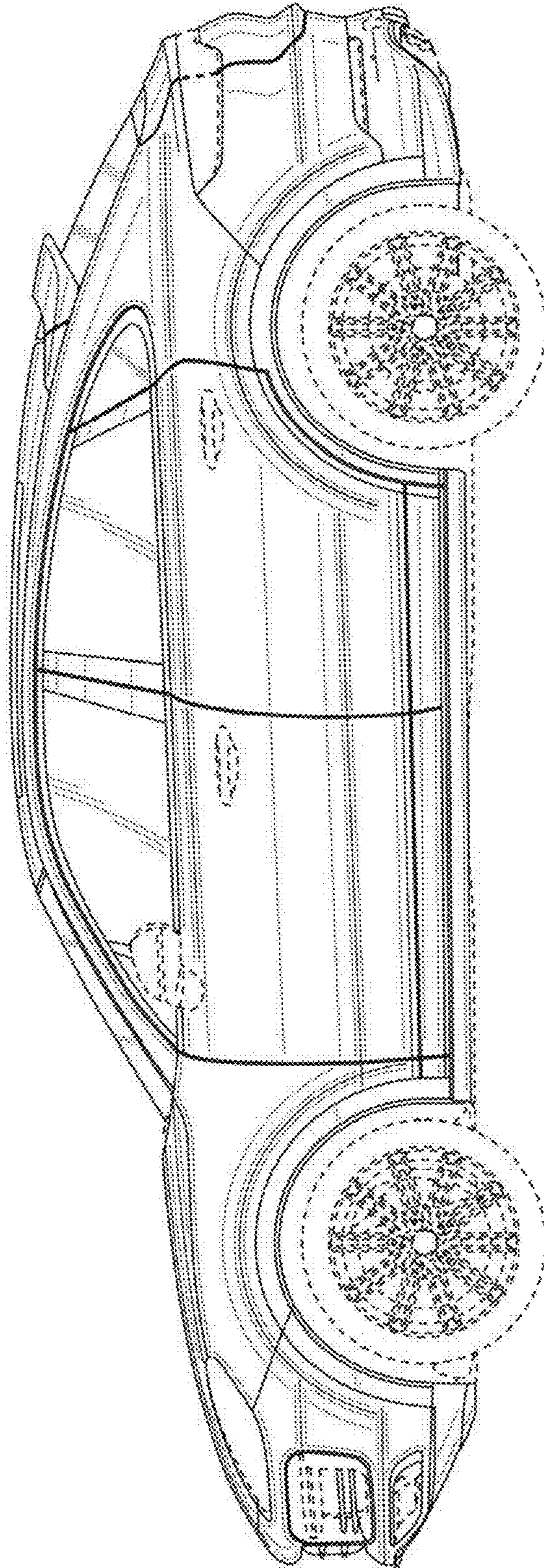


FIG. 5

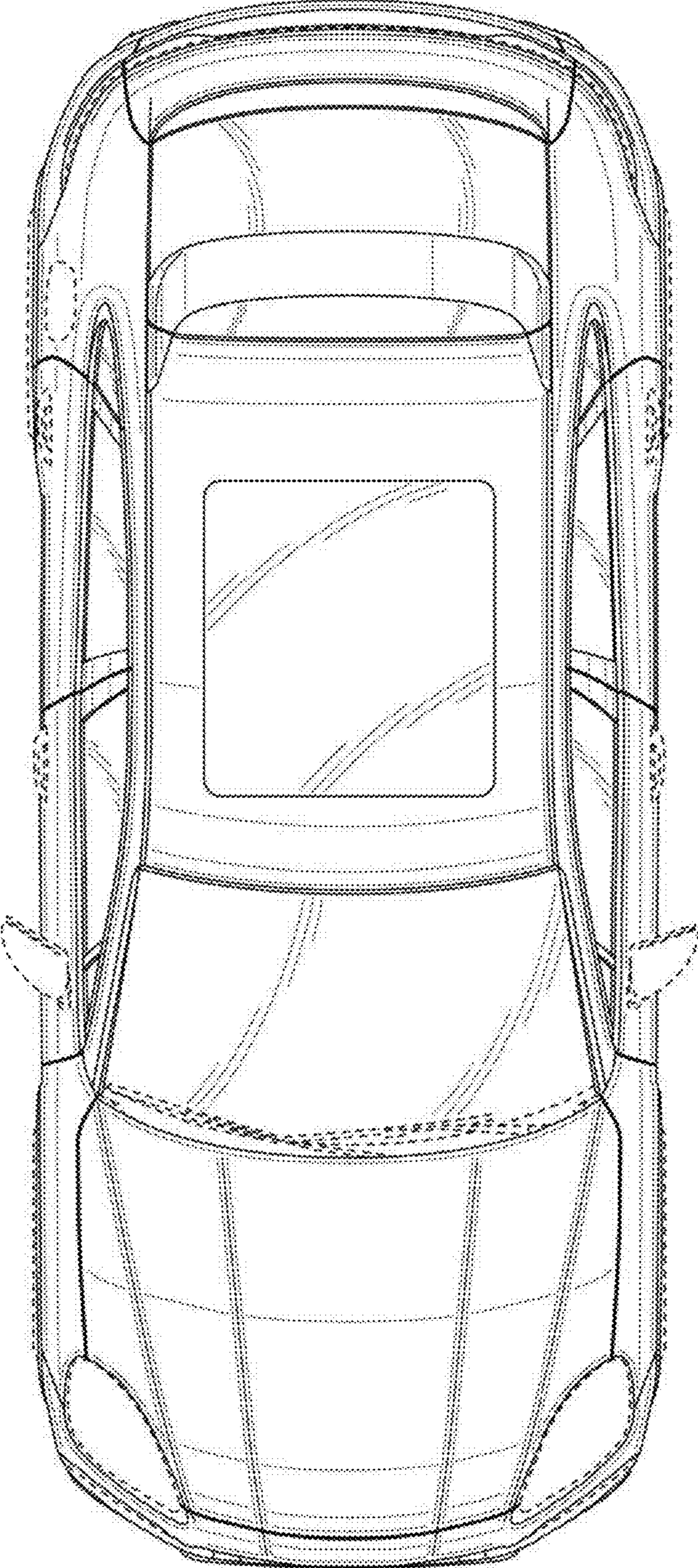


FIG. 6