



US00D858353S

(12) **United States Design Patent**
Gan

(10) **Patent No.:** **US D858,353 S**

(45) **Date of Patent:** **** Sep. 3, 2019**

- (54) **DRONE**
- (71) Applicant: **SHENZHEN VALUELINK E-COMMERCE CO., LTD.**, Shenzhen (CN)
- (72) Inventor: **Qingcao Gan**, Shenzhen (CN)
- (73) Assignee: **SHENZHEN VALUELINK E-COMMERCE CO., LTD.**, Shenzhen (CN)
- (**) Term: **15 Years**
- (21) Appl. No.: **29/624,194**

D710,453 S *	8/2014	Barajas	D12/16.1
D710,454 S *	8/2014	Barajas	D12/16.1
8,983,682 B1 *	3/2015	Peeters	B64C 39/024 244/190
9,051,043 B1 *	6/2015	Peeters	B64C 19/00
9,199,733 B2 *	12/2015	Keennon	B64C 27/12
D756,842 S *	5/2016	Ashjaee	D12/16.1
D759,764 S *	6/2016	Lai	D12/16.1
9,359,070 B2 *	6/2016	Caubel	B64C 27/08
D760,848 S *	7/2016	McKenna	D12/16.1
D761,690 S *	7/2016	Friesmuth	D12/16.1
9,387,927 B2 *	7/2016	Rischmuller	B64C 39/024
D763,134 S *	8/2016	Wang	D12/16.1
D767,043 S *	9/2016	Morrison	D12/16.1
D768,539 S *	10/2016	Lee	D12/16.1
D768,540 S *	10/2016	Ji	D12/16.1

(Continued)

- (22) Filed: **Oct. 30, 2017**
- (51) **LOC (12) Cl.** **12-01**
- (52) **U.S. Cl.**
USPC **D12/16.1**
- (58) **Field of Classification Search**
USPC D12/319-345, 1-4, 16.1, 214;
D21/436-454; D30/160
CPC B64C 29/0025; B64C 2201/108; B64C
2201/048; B64C 2201/088; B64C 29/00;
B64C 29/0058; B64C 39/001; B64C
39/024; B64C 39/062; B64C 2201/141;
B64C 27/12
See application file for complete search history.

OTHER PUBLICATIONS

MJX Bugs 3 Review by DronesGlobe. dated Feb. 15, 2017. found online [Mar. 14, 2019] <http://www.dronesglobe.com/review/mjx-bugs-3/>.*

Primary Examiner — Marissa J Cash
(74) *Attorney, Agent, or Firm* — Wayne & Ken, LLC;
Tony Hom

(57) **CLAIM**

A new, original, ornamental design for a drone, as shown and described.

(56) **References Cited**

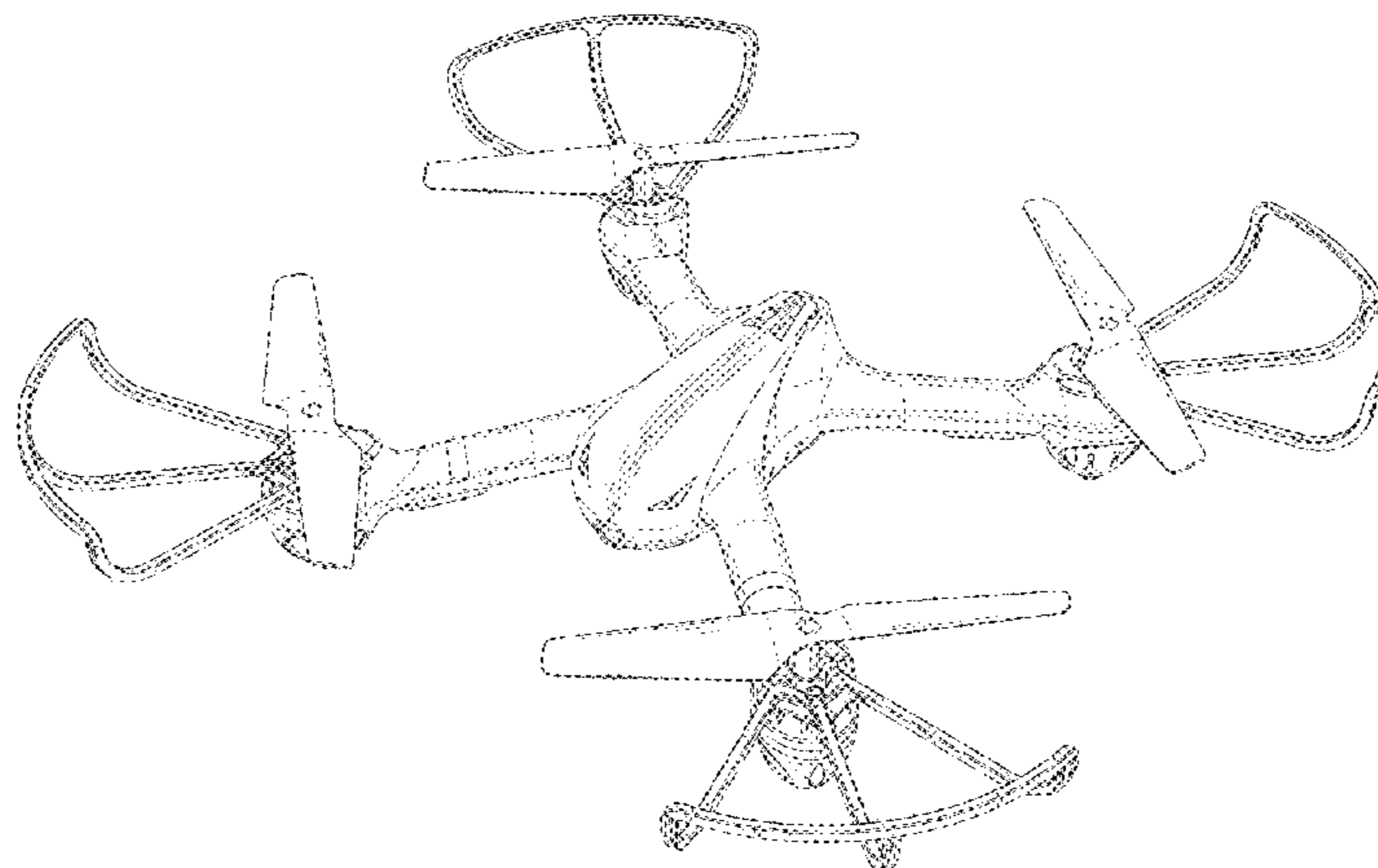
U.S. PATENT DOCUMENTS

D189,462 S *	12/1960	Vogt	D12/329
D197,038 S *	12/1963	Howard	D12/329
D465,196 S *	11/2002	Dammar	D12/328
D628,658 S *	12/2010	Wurm	D21/442
8,016,226 B1 *	9/2011	Wood	B64C 29/0033 244/12.4
D648,809 S *	11/2011	Seydoux	D21/441
D659,771 S *	5/2012	Seydoux	D21/441
D691,514 S *	10/2013	Wang	D12/16.1
D710,452 S *	8/2014	Barajas	D12/16.1

DESCRIPTION

FIG. 1 is a perspective view of a drone showing my new design;
FIG. 2 is a front view thereof;
FIG. 3 is a back view thereof;
FIG. 4 is a left view thereof;
FIG. 5 is a right view thereof;
FIG. 6 is a top view thereof; and,
FIG. 7 is a bottom view thereof.

1 Claim, 7 Drawing Sheets



(56)

References Cited

U.S. PATENT DOCUMENTS

D768,789 S * 10/2016 Fargeau D12/16.1
 D770,572 S * 11/2016 Caubel D21/441
 D772,756 S * 11/2016 Gambus D12/16.1
 D772,991 S * 11/2016 Caubel D12/16.1
 D777,263 S * 1/2017 Lavagen D12/16.1
 9,540,121 B2 * 1/2017 Byers B64C 39/024
 9,550,400 B2 * 1/2017 Hutson B60F 5/02
 D779,595 S * 2/2017 Xiao D12/16.1
 9,567,076 B2 * 2/2017 Zhang B64C 1/00
 D782,366 S * 3/2017 Xiao D12/16.1
 9,592,910 B1 * 3/2017 Beckman B64C 27/463
 9,594,381 B1 * 3/2017 Clark G05D 1/101
 9,599,992 B2 * 3/2017 Kohstall G05D 1/101
 D783,727 S * 4/2017 Xiao D21/441
 D784,201 S * 4/2017 Goldy D12/16.1
 D784,202 S * 4/2017 Park D12/16.1
 D784,854 S * 4/2017 Huang D12/16.1
 D785,541 S * 5/2017 Du D12/328
 D785,717 S * 5/2017 Xiao D21/441
 9,682,772 B2 * 6/2017 Yoon B60F 5/02
 D793,482 S * 8/2017 Wang D12/16.1
 D793,486 S * 8/2017 Lee D21/453
 D795,967 S * 8/2017 Haley D12/16.1
 D796,586 S * 9/2017 Chen D12/16.1
 D797,859 S * 9/2017 Caubel D21/441
 D798,961 S * 10/2017 Li D21/441
 D798,962 S * 10/2017 Xiao D21/441
 D798,963 S * 10/2017 Xiao D21/441
 D800,016 S * 10/2017 Huang D12/16.1
 D801,224 S * 10/2017 Li D12/16.1
 D803,098 S * 11/2017 Lee D12/16.1
 D803,328 S * 11/2017 Lee D21/441
 D805,425 S * 12/2017 Hanscom D11/202
 D806,606 S * 1/2018 Morrison D12/16.1
 D808,301 S * 1/2018 Goldy D12/16.1
 9,868,524 B2 * 1/2018 Welsh B64C 39/024
 D809,970 S * 2/2018 Zhou D12/16.1

D813,723 S * 3/2018 Ahn D12/16.1
 D813,724 S * 3/2018 Hu D12/16.1
 9,927,682 B2 * 3/2018 Fisher G03B 15/006
 D814,385 S * 4/2018 Zhao D12/328
 D814,970 S * 4/2018 Chen D12/16.1
 D814,971 S * 4/2018 Huang D12/16.1
 D814,972 S * 4/2018 Ahn D12/16.1
 D816,546 S * 5/2018 Wang D12/16.1
 D818,872 S * 5/2018 Ho D12/16.1
 D818,874 S * 5/2018 Tian D12/16.1
 9,979,000 B2 * 5/2018 Qiu B64C 39/024
 9,986,233 B1 * 5/2018 Curlander H04N 17/002
 10,011,346 B2 * 7/2018 Beckman B64C 11/18
 D825,379 S * 8/2018 Gury D12/16.1
 D825,380 S * 8/2018 Tonnpkin D12/16.1
 D825,669 S * 8/2018 Tompkin D21/441
 10,053,213 B1 * 8/2018 Tu B64C 29/0025
 D827,723 S * 9/2018 Barajas D21/442
 D829,283 S * 9/2018 Cai D21/441
 D830,229 S * 10/2018 Lutterodt D12/16.1
 D830,896 S * 10/2018 Lutterodt D12/16.1
 10,086,309 B2 * 10/2018 Yamada A63H 27/12
 10,095,087 B2 * 10/2018 Kim B64C 25/10
 10,131,426 B2 * 11/2018 Judas B64C 29/0025
 10,131,428 B1 * 11/2018 Sopper B64C 27/08
 10,150,563 B2 * 12/2018 Harada G05B 19/048
 10,155,585 B2 * 12/2018 Johannesson B64C 27/50
 10,185,318 B2 * 1/2019 Enke G05D 1/0088
 10,192,538 B2 * 1/2019 Yamagishi B64C 39/024
 10,203,692 B2 * 2/2019 Smith G05D 1/0094
 10,217,367 B2 * 2/2019 Chun B64C 39/024
 10,222,808 B2 * 3/2019 Bardinet B64C 39/024
 10,224,526 B2 * 3/2019 Qiu B64C 39/024
 2017/0043869 A1 * 2/2017 Howard B64C 39/024
 2017/0144753 A1 * 5/2017 Yu B64C 39/024
 2017/0259914 A1 * 9/2017 Bevirt B64C 27/52
 2017/0291697 A1 * 10/2017 Kornatowski B64C 27/20
 2018/0002023 A1 * 1/2018 Tian B64D 33/08

* cited by examiner

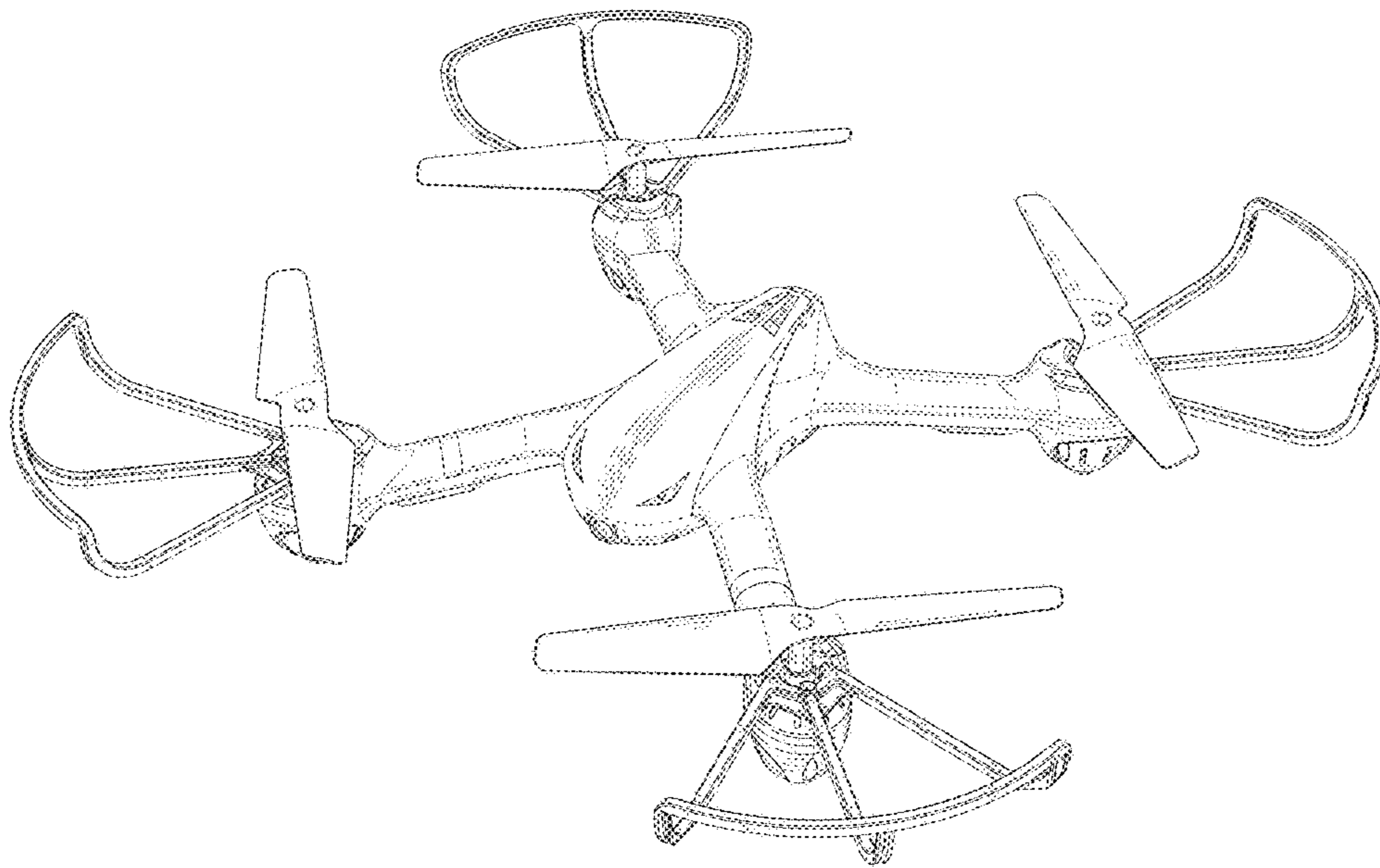


FIG. 1

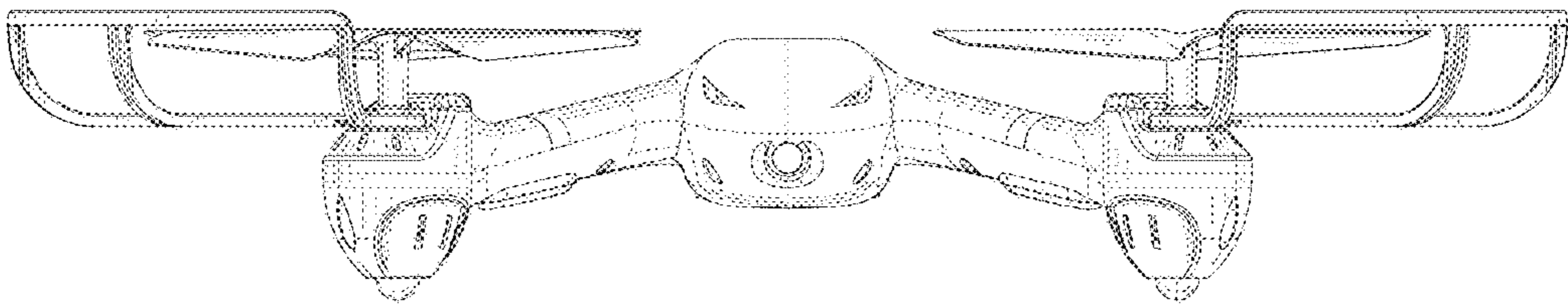


FIG. 2

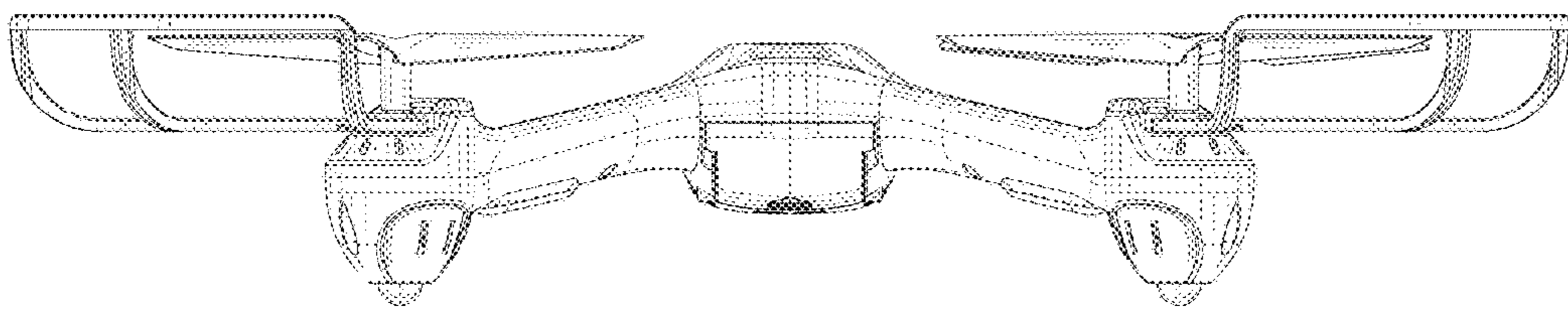


FIG. 3

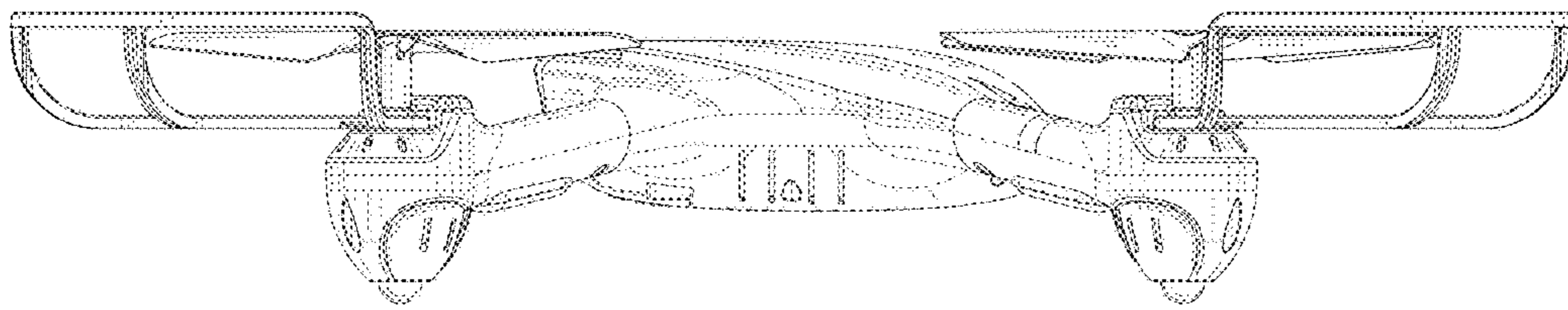


FIG. 4

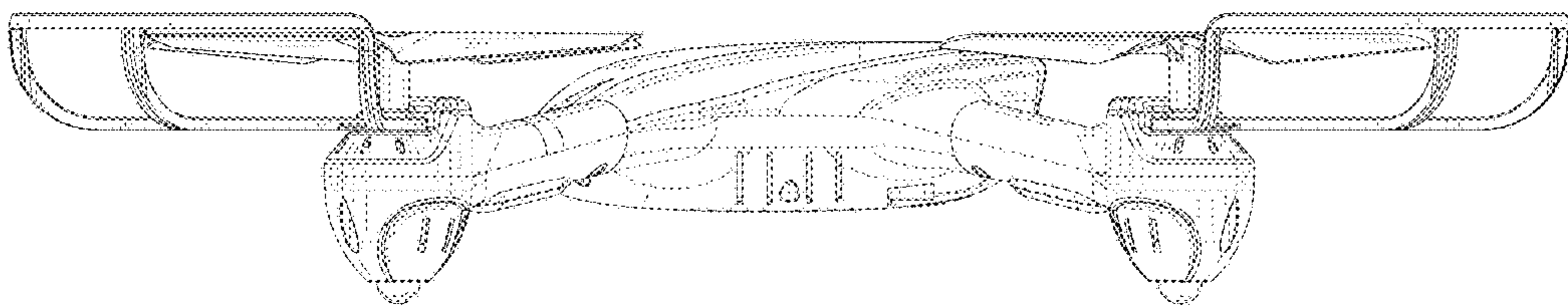


FIG. 5

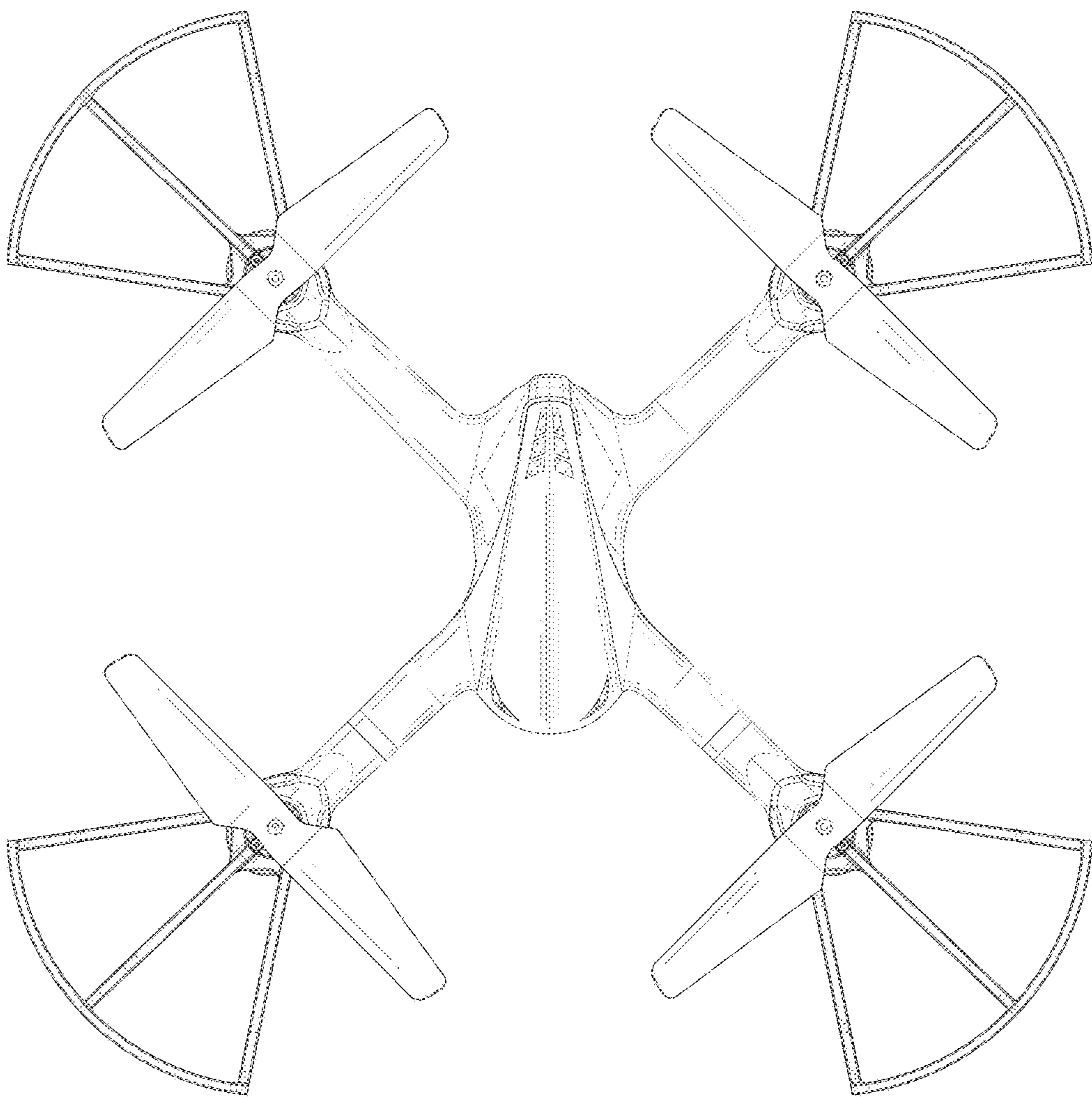


FIG. 6

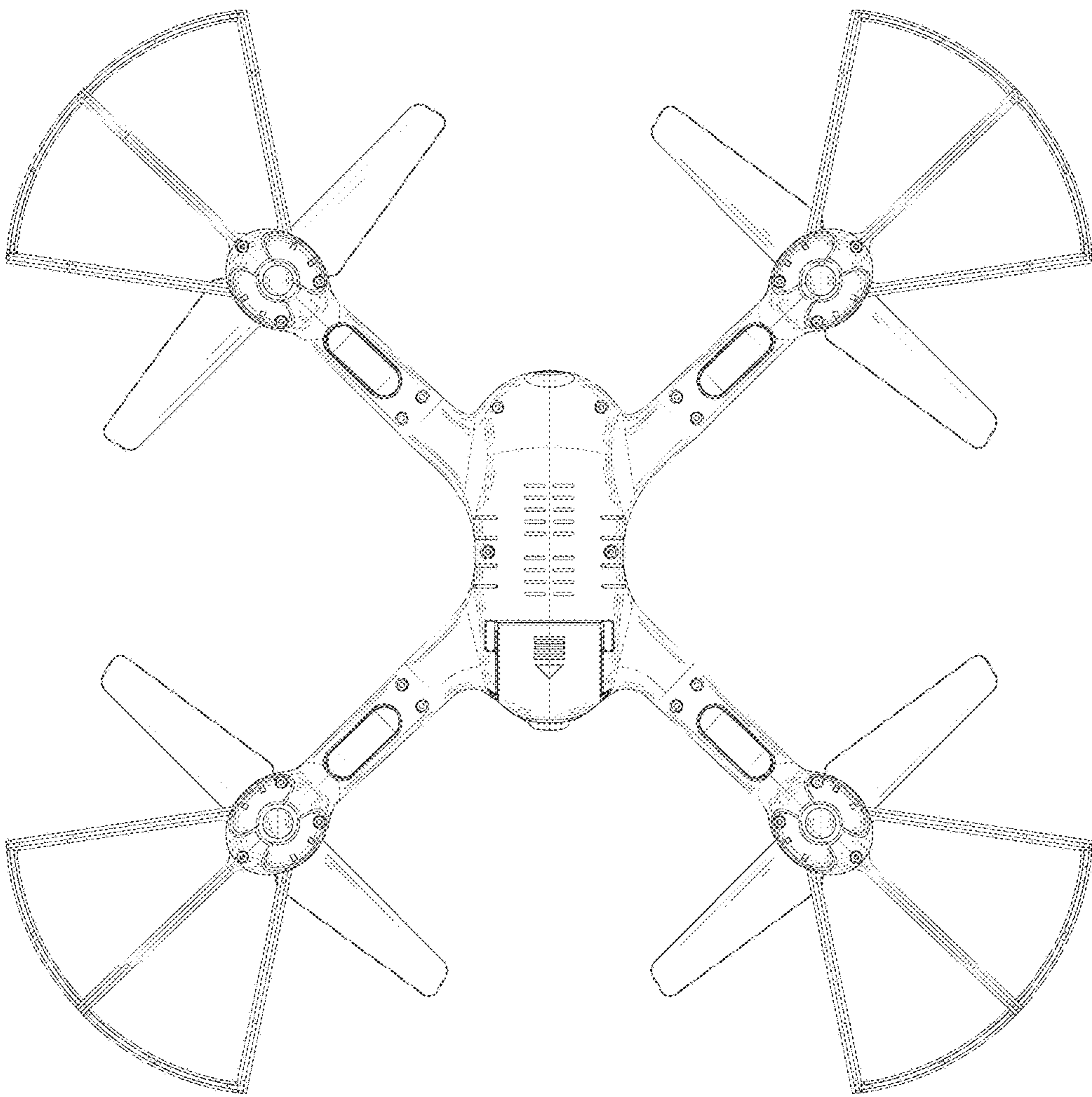


FIG. 7