



US00D858352S

(12) **United States Design Patent** (10) **Patent No.:** **US D858,352 S**
Gan (45) **Date of Patent:** **** Sep. 3, 2019**

(54) **DRONE**
(71) Applicant: **SHENZHEN VALUELINK E-COMMERCE CO., LTD.**, Shenzhen (CN)
(72) Inventor: **Qingcao Gan**, Shenzhen (CN)
(73) Assignee: **SHENZHEN VALUELINK E-COMMERCE CO., LTD.**, Shenzhen (CN)
(**) Term: **15 Years**
(21) Appl. No.: **29/624,193**
(22) Filed: **Oct. 30, 2017**
(51) **LOC (12) Cl.** **12-01**
(52) **U.S. Cl.**
USPC **D12/16.1**
(58) **Field of Classification Search**
USPC D12/319-345, 1-4, 16.1, 214; D21/436-454; D30/160
CPC B64C 29/0025; B64C 2201/108; B64C 2201/048; B64C 2201/088; B64C 29/00; B64C 29/0058; B64C 39/001; B64C 39/024; B64C 39/062; B64C 2201/141; B64C 27/12
See application file for complete search history.

(56) **References Cited**
U.S. PATENT DOCUMENTS
D187,625 S * 4/1960 Apostolescu D12/330
D188,226 S * 6/1960 Jones D12/333
D188,359 S * 7/1960 Bel 244/12.3
D189,462 S * 12/1960 Vogt D12/329
D189,562 S * 1/1961 Nelson D12/330
3,082,977 A * 3/1963 Arlin B64C 29/0025
244/12.2
D306,008 S * 2/1990 Hudnall D12/324
D465,196 S * 11/2002 Dammar D12/328

D628,658 S * 12/2010 Wurm D21/442
8,016,226 B1 * 9/2011 Wood B64C 29/0033
244/12.4
D648,809 S * 11/2011 Seydoux D21/441
D659,771 S * 5/2012 Seydoux D21/441
D691,514 S * 10/2013 Wang D12/16.1
D696,618 S * 12/2013 Wang D12/326
D708,272 S * 7/2014 Schmelter D12/16.1
D710,452 S * 8/2014 Barajas D12/16.1
D710,453 S * 8/2014 Barajas D12/16.1
D710,454 S * 8/2014 Barajas D12/16.1
8,983,682 B1 * 3/2015 Peeters B64C 39/024
244/190
9,051,043 B1 * 6/2015 Peeters B64C 19/00
9,199,733 B2 * 12/2015 Keennon B64C 27/12
9,242,738 B2 * 1/2016 Kroo B64C 3/16
D756,842 S * 5/2016 Ashjaee D12/16.1
D759,764 S * 6/2016 Lai D12/16.1
D760,848 S * 7/2016 McKenna D12/16.1
D761,690 S * 7/2016 Friesmuth D12/16.1

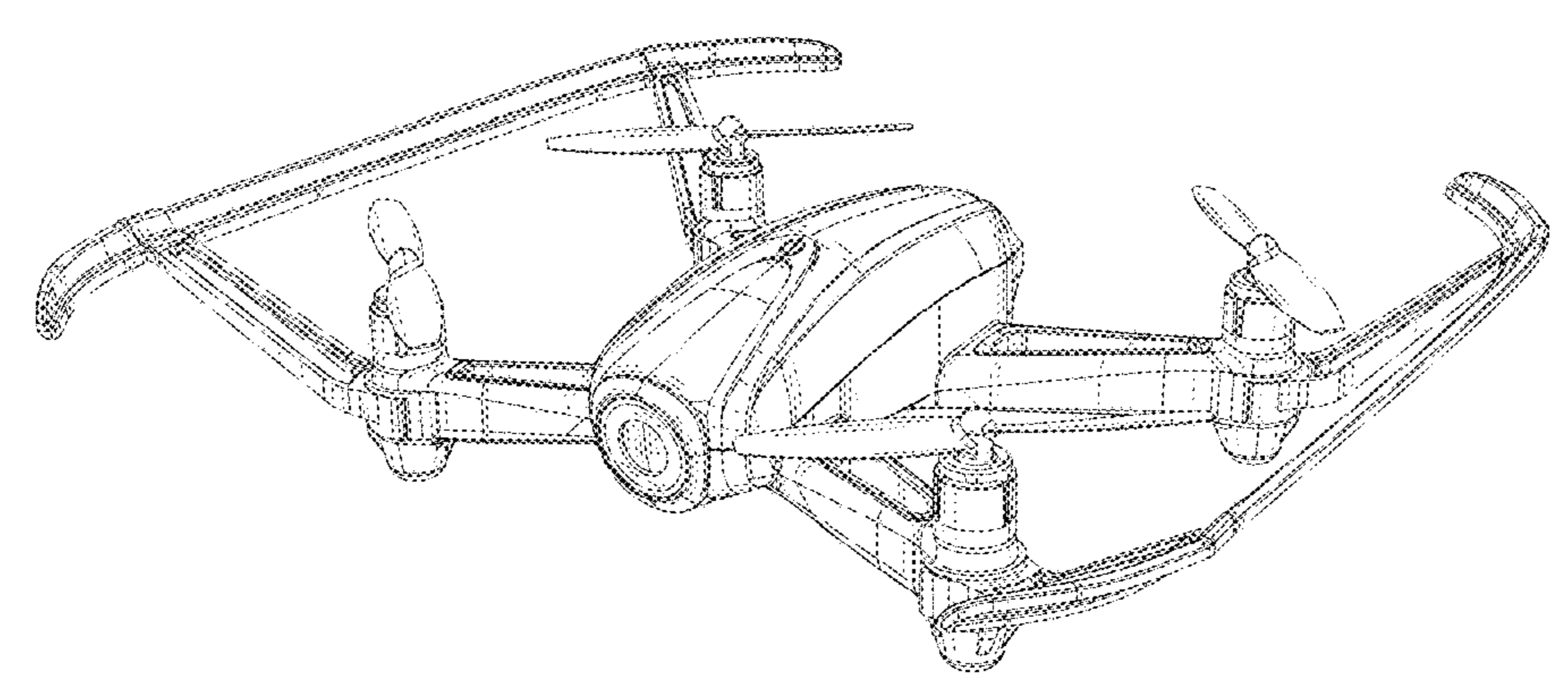
(Continued)

Primary Examiner — Marissa J Cash
(74) *Attorney, Agent, or Firm* — Wayne & Ken, LLC;
Tony Hom

(57) **CLAIM**
A new, original, ornamental design for a drone, as shown and described.

DESCRIPTION
FIG. 1 is a perspective view of a drone showing my new design;
FIG. 2 is a front view thereof;
FIG. 3 is a back view thereof;
FIG. 4 is a left view thereof;
FIG. 5 is a right view thereof;
FIG. 6 is a top view thereof; and,
FIG. 7 is a bottom view thereof.
The broken lines in the figures illustrate portions of the drone that form no part of the claimed design.

1 Claim, 7 Drawing Sheets



(56)

References Cited

U.S. PATENT DOCUMENTS

9,387,927 B2 * 7/2016 Rischmuller B64C 39/024
 D763,134 S * 8/2016 Wang D12/16.1
 D767,043 S * 9/2016 Morrison D12/16.1
 D768,539 S * 10/2016 Lee D12/16.1
 D768,540 S * 10/2016 Ji D12/16.1
 D768,789 S * 10/2016 Fargeau D12/16.1
 D770,572 S * 11/2016 Caubel D21/441
 D772,756 S * 11/2016 Gambus D12/16.1
 D772,991 S * 11/2016 Caubel D12/16.1
 D777,263 S * 1/2017 Lavagen D12/16.1
 9,540,121 B2 * 1/2017 Byers B64C 39/024
 9,550,400 B2 * 1/2017 Hutson B60F 5/02
 D779,595 S * 2/2017 Xiao D12/16.1
 D782,365 S * 3/2017 Hung D12/16.1
 D782,366 S * 3/2017 Xiao D12/16.1
 D783,727 S * 4/2017 Xiao D21/441
 D784,201 S * 4/2017 Goldy D12/16.1
 D784,202 S * 4/2017 Park D12/16.1
 D784,854 S * 4/2017 Huang D12/16.1
 D785,541 S * 5/2017 Du D12/328
 D785,717 S * 5/2017 Xiao D21/441
 9,682,772 B2 * 6/2017 Yoon B60F 5/02
 9,694,907 B2 * 7/2017 Simon B64C 29/0025
 D793,482 S * 8/2017 Wang D12/16.1
 D793,486 S * 8/2017 Lee D21/453
 D795,967 S * 8/2017 Haley D12/16.1
 9,731,839 B1 * 8/2017 Beckman B64C 39/024
 9,738,380 B2 * 8/2017 Claridge B64C 19/00
 D796,586 S * 9/2017 Chen D12/16.1
 D797,859 S * 9/2017 Caubel D21/441
 D798,192 S * 9/2017 Zhang D12/16.1
 D798,961 S * 10/2017 Li D21/441
 D798,962 S * 10/2017 Xiao D21/441
 D798,963 S * 10/2017 Xiao D21/441
 D799,374 S * 10/2017 Zhou D12/16.1
 D800,016 S * 10/2017 Huang D12/16.1
 D803,098 S * 11/2017 Lee D12/16.1
 D803,328 S * 11/2017 Lee D21/441
 9,815,078 B2 * 11/2017 Neustadt B64C 39/024

D805,425 S * 12/2017 Hanscom D11/202
 D806,606 S * 1/2018 Morrison D12/16.1
 D808,301 S * 1/2018 Goldy D12/16.1
 9,865,172 B2 * 1/2018 Takahashi B64D 47/08
 9,868,524 B2 * 1/2018 Welsh B64C 39/024
 D809,969 S * 2/2018 Zhang D12/16.1
 D811,264 S * 2/2018 Zhang D12/16.1
 D813,143 S * 3/2018 Belik D12/326
 D813,723 S * 3/2018 Ahn D12/16.1
 D813,724 S * 3/2018 Hu D12/16.1
 9,927,682 B2 * 3/2018 Fisher G03B 15/006
 D814,385 S * 4/2018 Zhao D12/328
 D814,970 S * 4/2018 Chen D12/16.1
 D814,971 S * 4/2018 Huang D12/16.1
 D816,546 S * 5/2018 Wang D12/16.1
 D816,581 S * 5/2018 Zhao D12/328
 D818,872 S * 5/2018 Ho D12/16.1
 D818,874 S * 5/2018 Tian D12/16.1
 D819,749 S * 6/2018 Caubel D21/449
 10,035,589 B2 * 7/2018 Zhang B64C 27/08
 D825,380 S * 8/2018 Tompkin D12/16.1
 D825,669 S * 8/2018 Tompkin D21/441
 D827,723 S * 9/2018 Barajas D21/442
 D829,283 S * 9/2018 Cai D21/441
 10,086,309 B2 * 10/2018 Yamada A63H 27/12
 10,101,443 B1 * 10/2018 Legrand G01S 11/14
 10,118,697 B2 * 11/2018 Weissenberg B64C 39/024
 10,131,426 B2 * 11/2018 Judas B64C 29/0025
 10,131,428 B1 * 11/2018 Sopper B64C 27/08
 10,150,563 B2 * 12/2018 Harada G05B 19/048
 10,155,585 B2 * 12/2018 Johannesson B64C 27/50
 10,189,565 B2 * 1/2019 Patterson B64C 37/02
 10,192,538 B2 * 1/2019 Yamagishi B64C 39/024
 10,203,692 B2 * 2/2019 Smith G05D 1/0094
 10,217,367 B2 * 2/2019 Chun B64C 39/024
 10,220,964 B1 * 3/2019 Sperindeo B64F 5/0045
 10,222,808 B2 * 3/2019 Bardinnet B64C 39/024
 10,224,526 B2 * 3/2019 Qiu B64C 39/024
 2016/0221671 A1 * 8/2016 Fisher B64C 27/08
 2016/0286128 A1 * 9/2016 Zhou H04N 5/23248
 2016/0340021 A1 * 11/2016 Zhang B64C 27/08

* cited by examiner

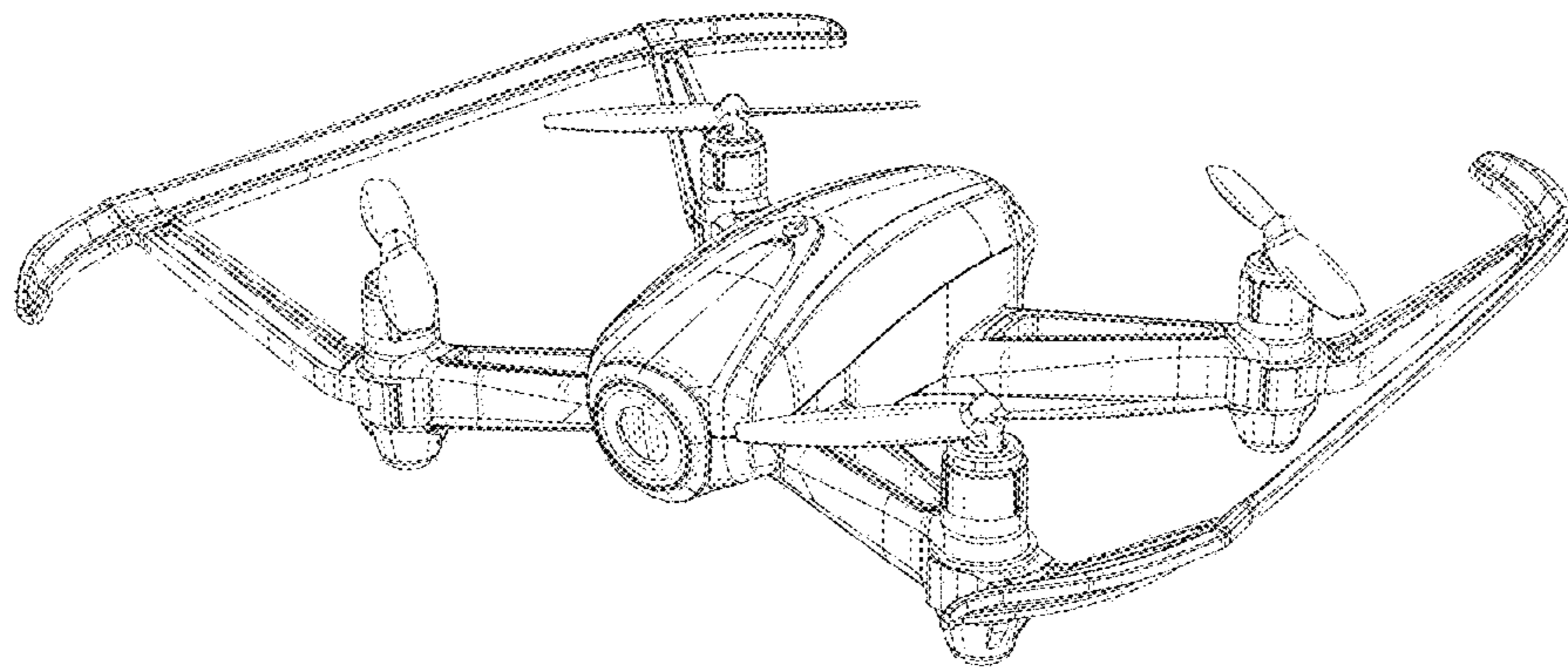


FIG. 1

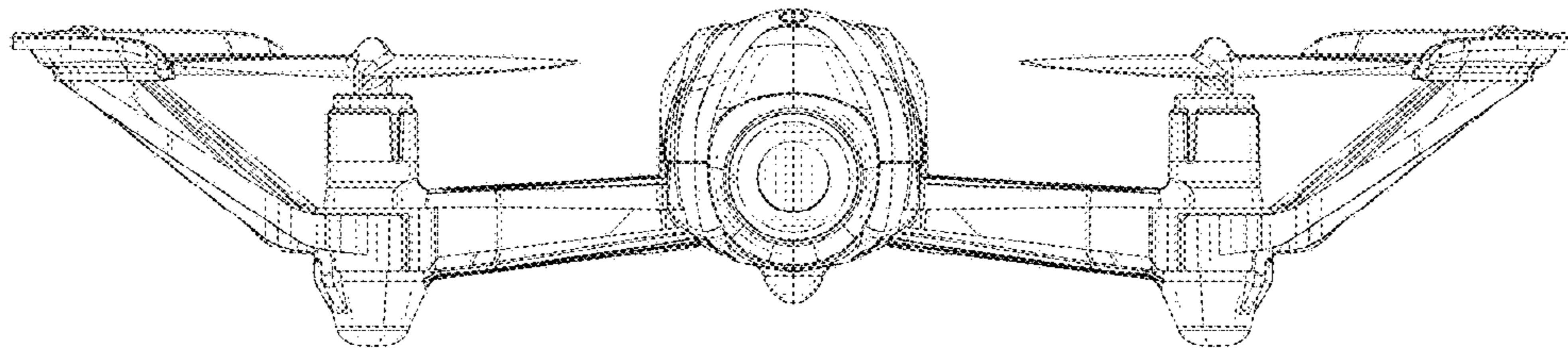


FIG. 2

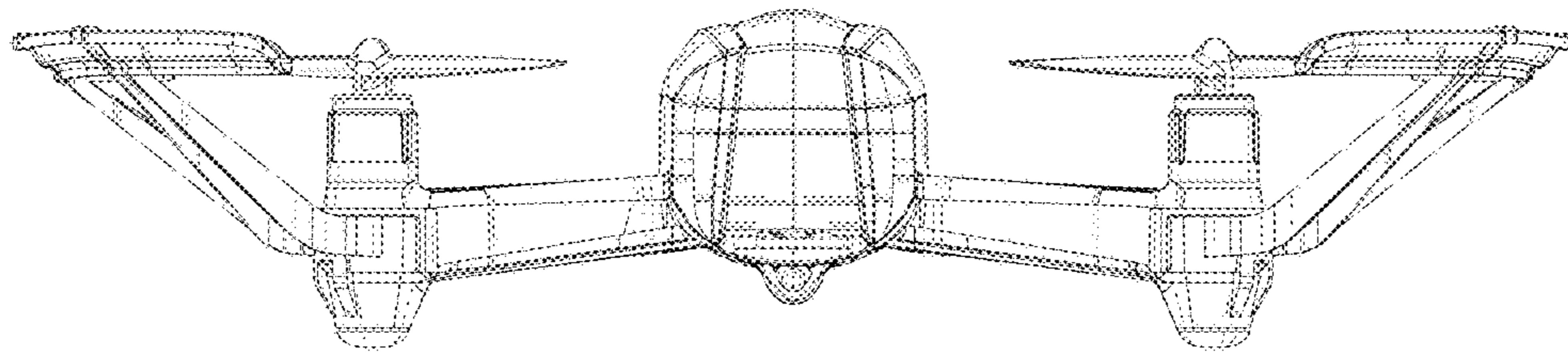


FIG. 3

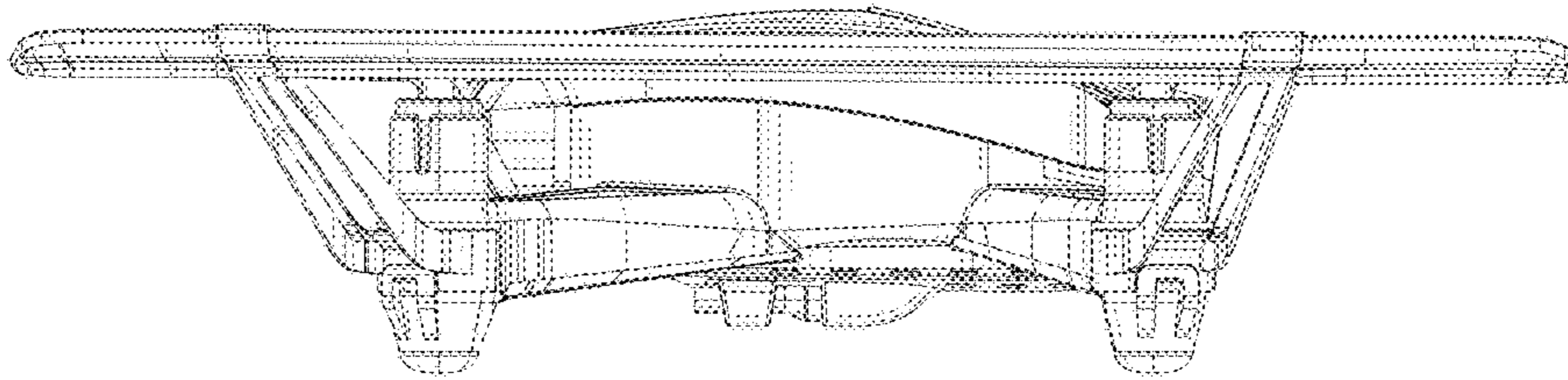


FIG. 4

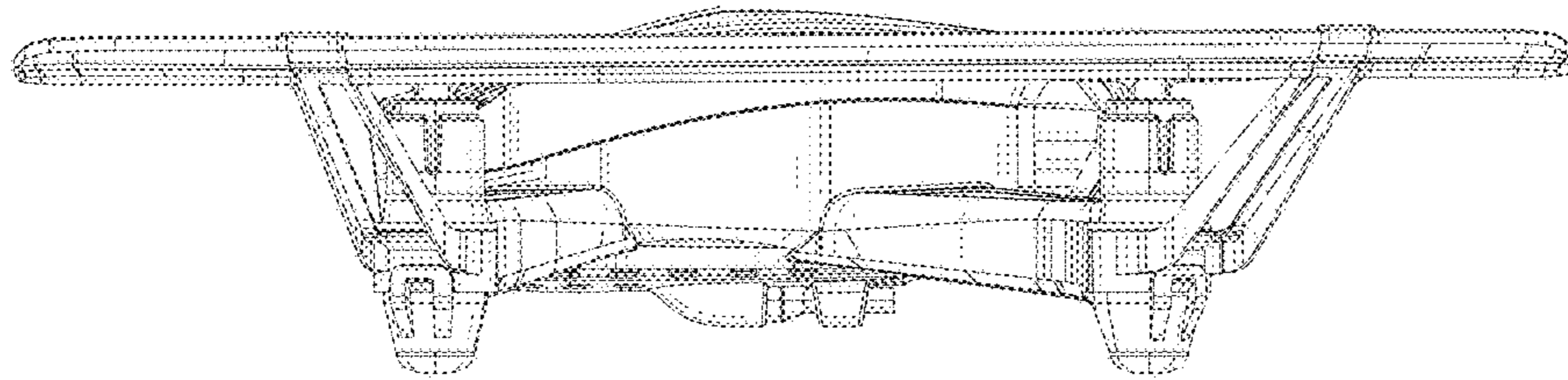


FIG. 5

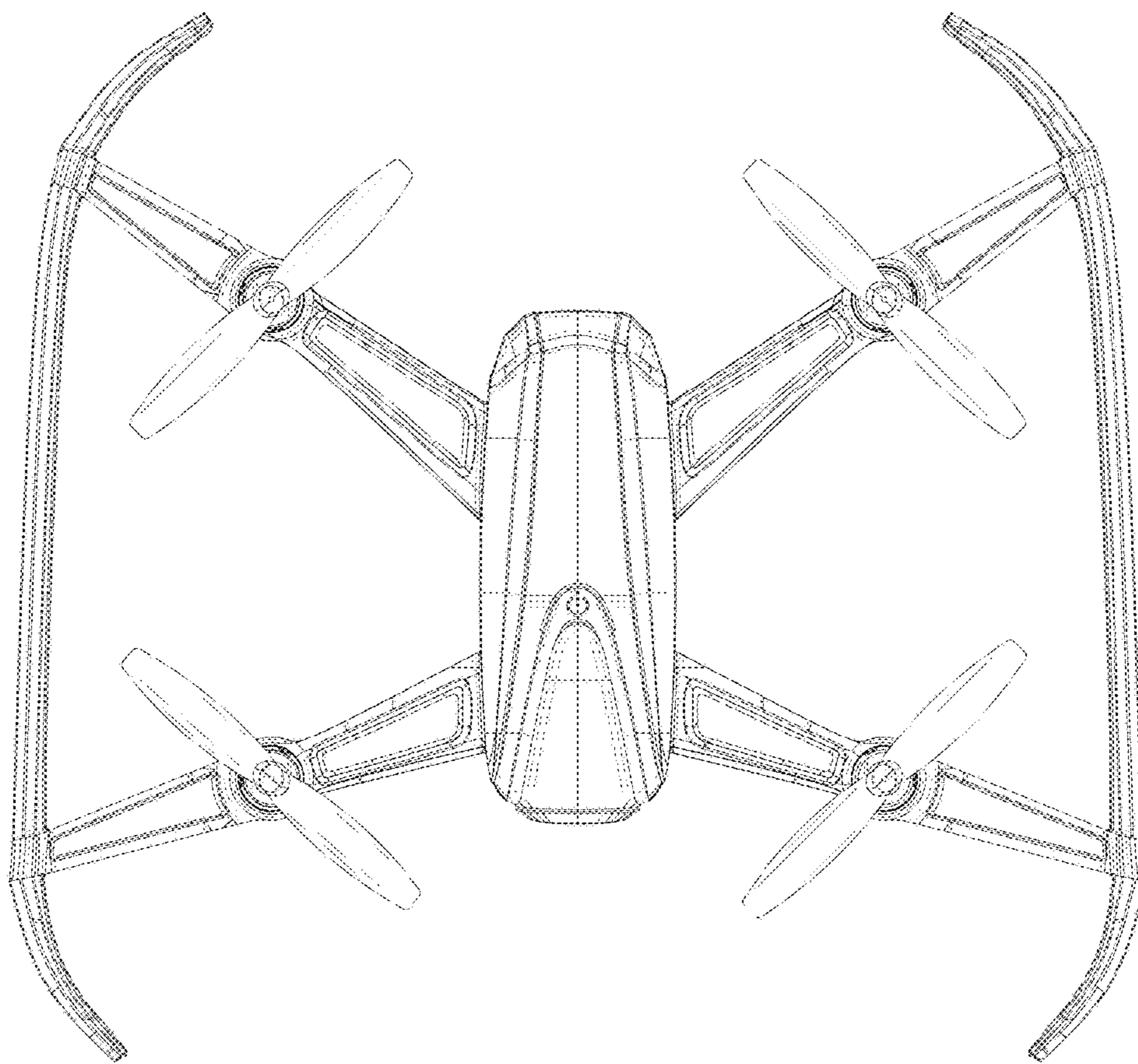


FIG. 6

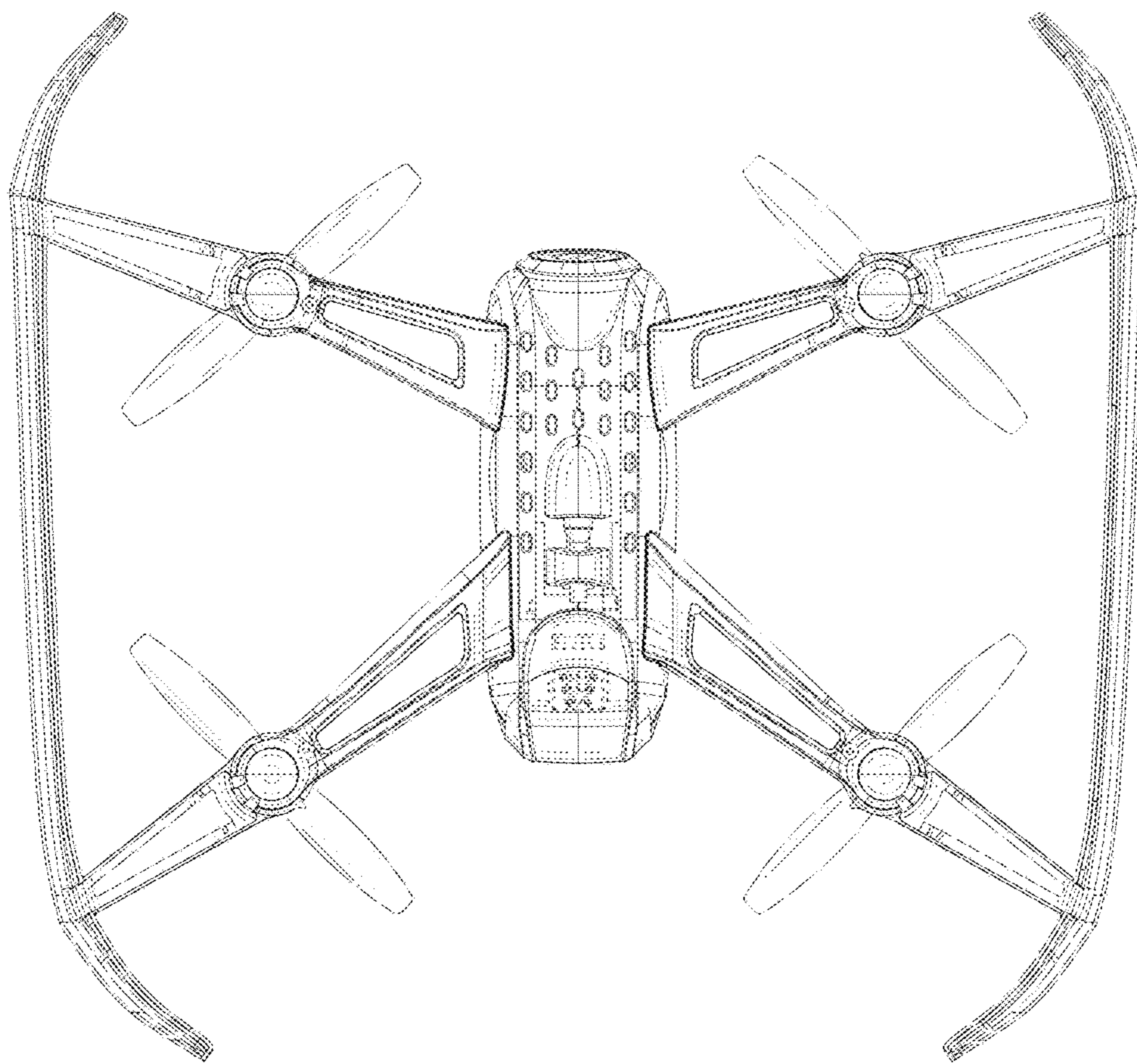


FIG. 7