



US00D858351S

(12) **United States Design Patent** (10) **Patent No.:** **US D858,351 S**
Schroeder et al. (45) **Date of Patent:** **** Sep. 3, 2019**

(54) **ALL-TERRAIN VEHICLE AND/OR REPLICA**

(71) Applicant: **HONDA MOTOR CO., LTD.**, Tokyo (JP)

(72) Inventors: **Anthony M. Schroeder**, Huntington Beach, CA (US); **Eric Y. Chin**, Irvine, CA (US); **Joseph Park**, Torrance, CA (US)

(73) Assignee: **HONDA MOTOR CO., LTD.**, Tokyo (JP)

(**) Term: **15 Years**

(21) Appl. No.: **29/674,980**

(22) Filed: **Dec. 27, 2018**

Related U.S. Application Data

(63) Continuation of application No. 29/628,602, filed on Dec. 6, 2017.

(51) **LOC (12) Cl.** **12-13**

(52) **U.S. Cl.**
USPC **D12/14; D12/1**

(58) **Field of Classification Search**
USPC D12/1, 2, 3, 4, 12, 14, 16; D21/483, D21/533, 548, 549, 539, 556, 557, 559, D21/562
CPC B62D 35/00; B62D 39/00; B62D 47/00; B62D 47/003; B62D 63/02; B62D 33/0617; B62D 33/00; A01B 59/02; B60L 200/22; B60Y 2200/86; B60Y 2200/91; B60P 1/00; B60P 1/003; B60R 21/13
See application file for complete search history.

(56) **References Cited**

U.S. PATENT DOCUMENTS

D413,551 S * 9/1999 Wilcox D12/1
D526,246 S 8/2006 LeBlanc, Sr. et al.

D526,596 S 8/2006 LeBlanc, Sr. et al.
D527,689 S 9/2006 LeBlanc, Sr. et al.
D630,268 S 1/2011 Cunningham
D632,613 S 2/2011 Allaire et al.
D661,224 S 6/2012 Allaire et al.
9,211,648 B2 * 12/2015 Grinstead B25J 19/023
D807,784 S * 1/2018 Vaarsi D12/1
9,988,113 B2 * 6/2018 Habernegg B60P 3/40
2010/0179691 A1 7/2010 Gal et al.
2016/0257361 A1 9/2016 Habernegg

* cited by examiner

Primary Examiner — T Chase Nelson

Assistant Examiner — Ania Aman

(74) *Attorney, Agent, or Firm* — Arent Fox LLP

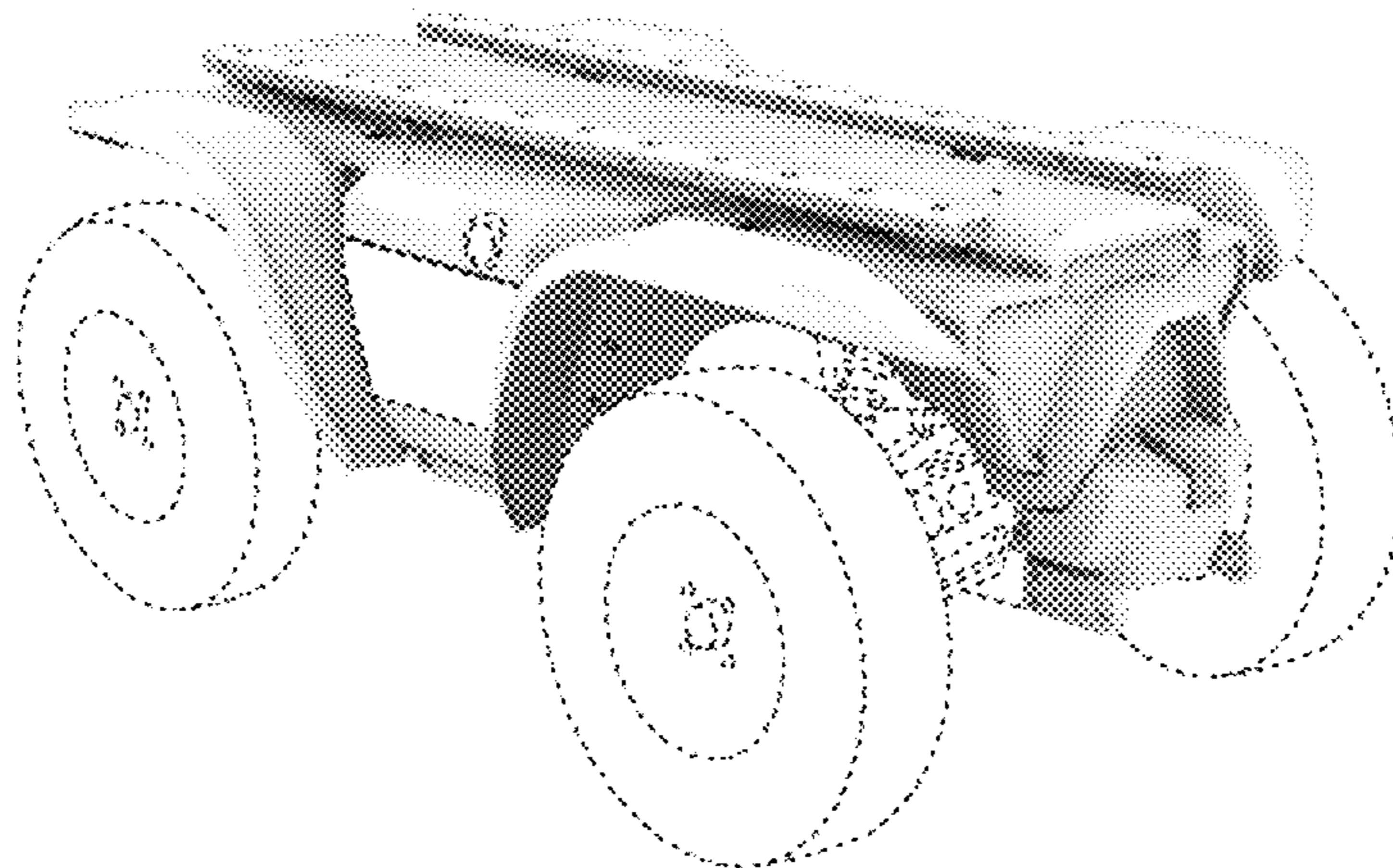
(57) **CLAIM**

The ornamental design for an all-terrain vehicle and/or replica, as shown and described.

DESCRIPTION

FIG. 1 is a front left perspective view of an all-terrain vehicle and/or replica showing our new design;
FIG. 2 is a front right perspective view of the design shown in FIG. 1;
FIG. 3 is a rear right perspective view of the design shown in FIG. 1;
FIG. 4 is a rear left perspective view of the design shown in FIG. 1;
FIG. 5 is a right side view of the design shown in FIG. 1;
FIG. 6 is a left side view of the design shown in FIG. 1; and
FIG. 7 is a top view of the design shown in FIG. 1.
The bottom of the all-terrain vehicle and/or replica forms no part of the claimed design. The broken lines shown in the figures are included for the purpose of illustrating portions of the all-terrain vehicle and/or replica and form no part of the claimed design.

1 Claim, 7 Drawing Sheets



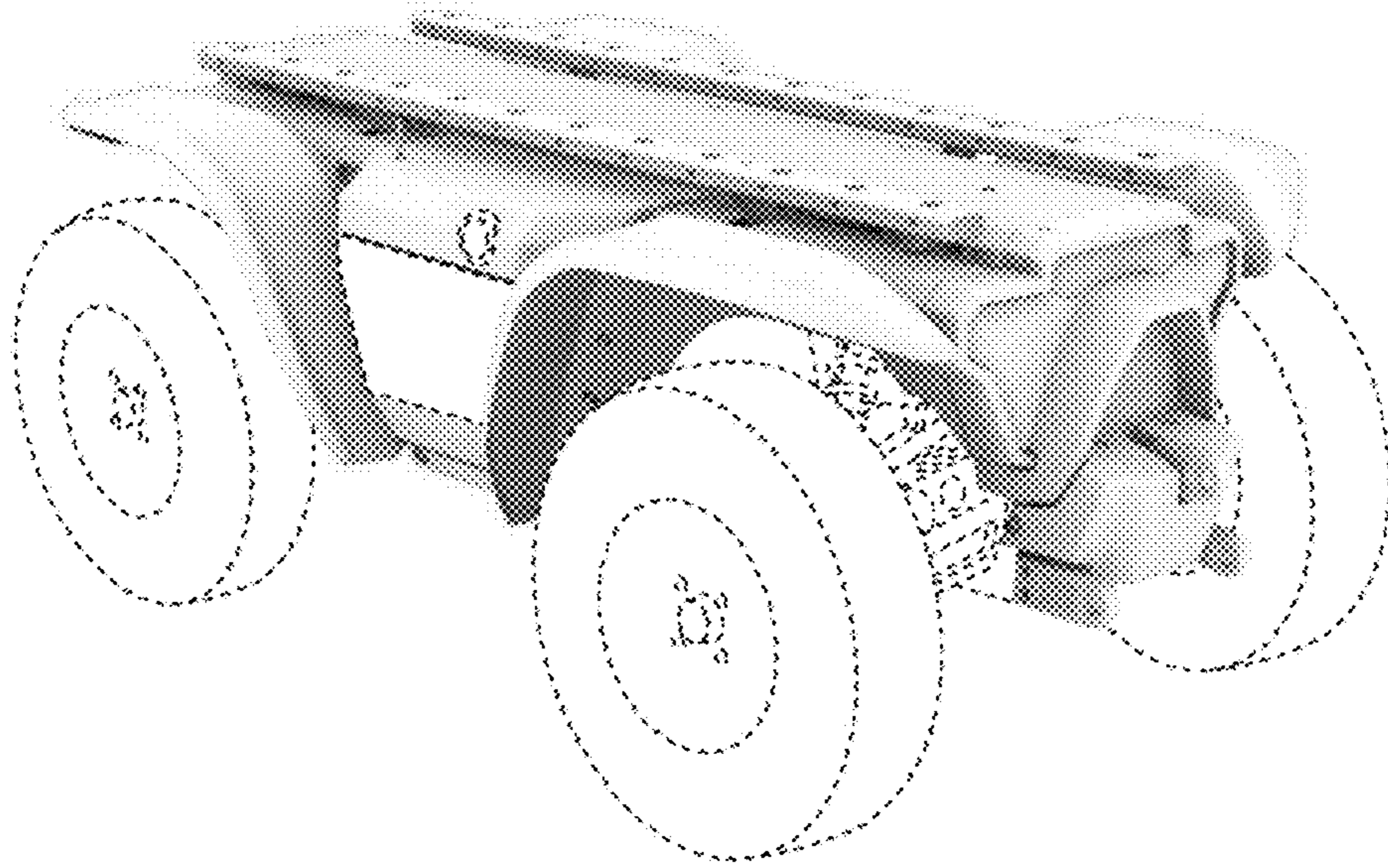


FIG. 1

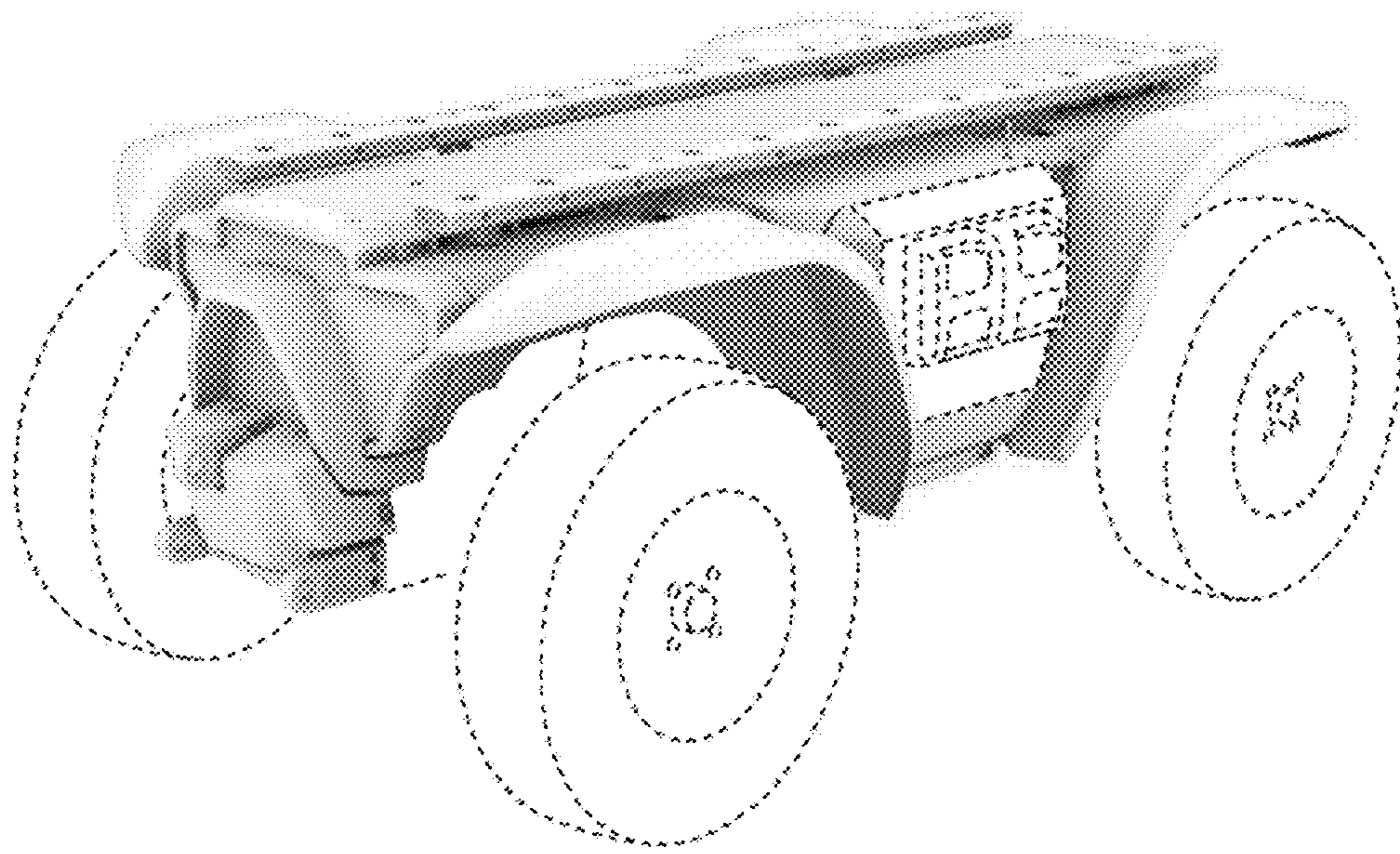


FIG. 2

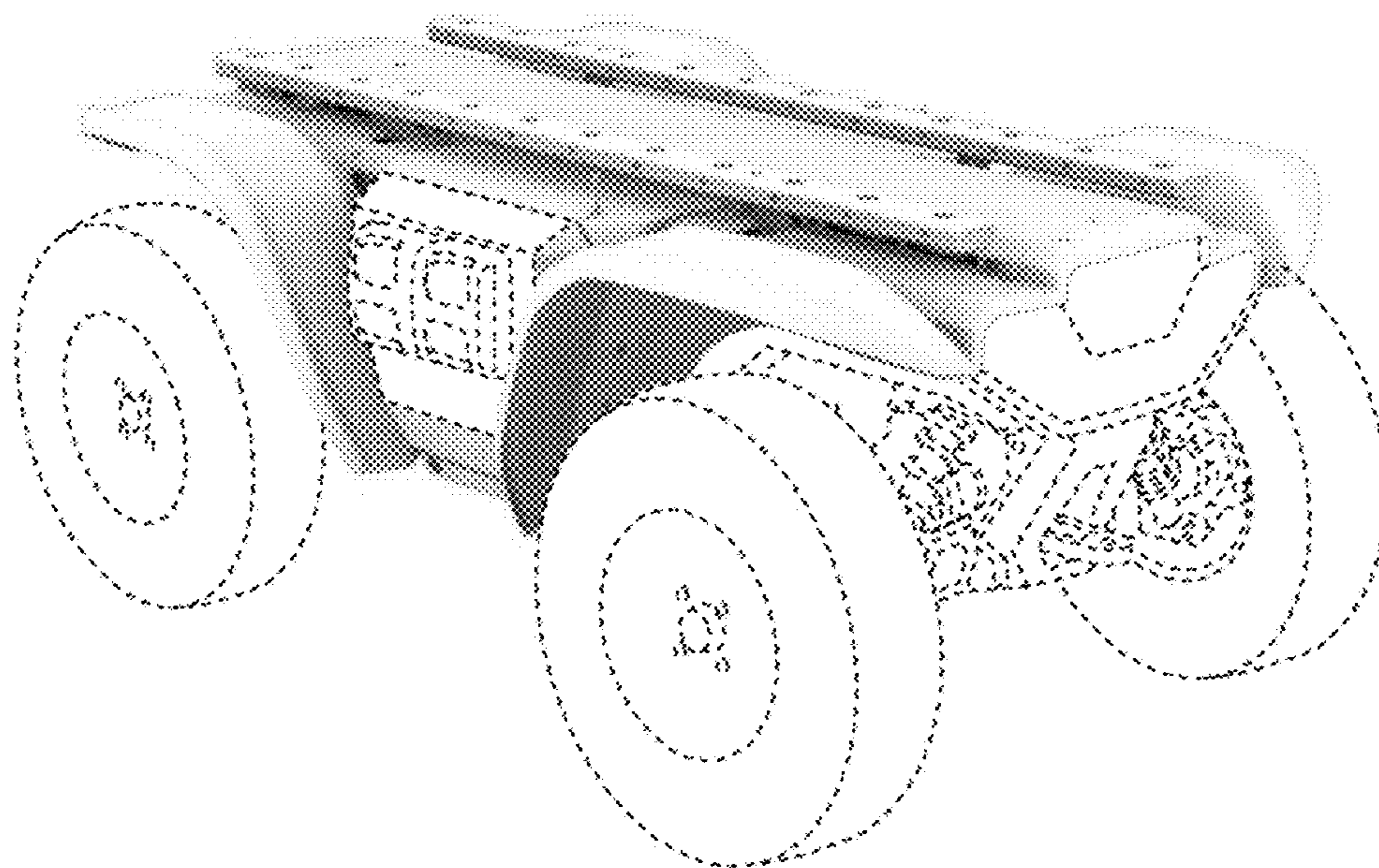


FIG. 3

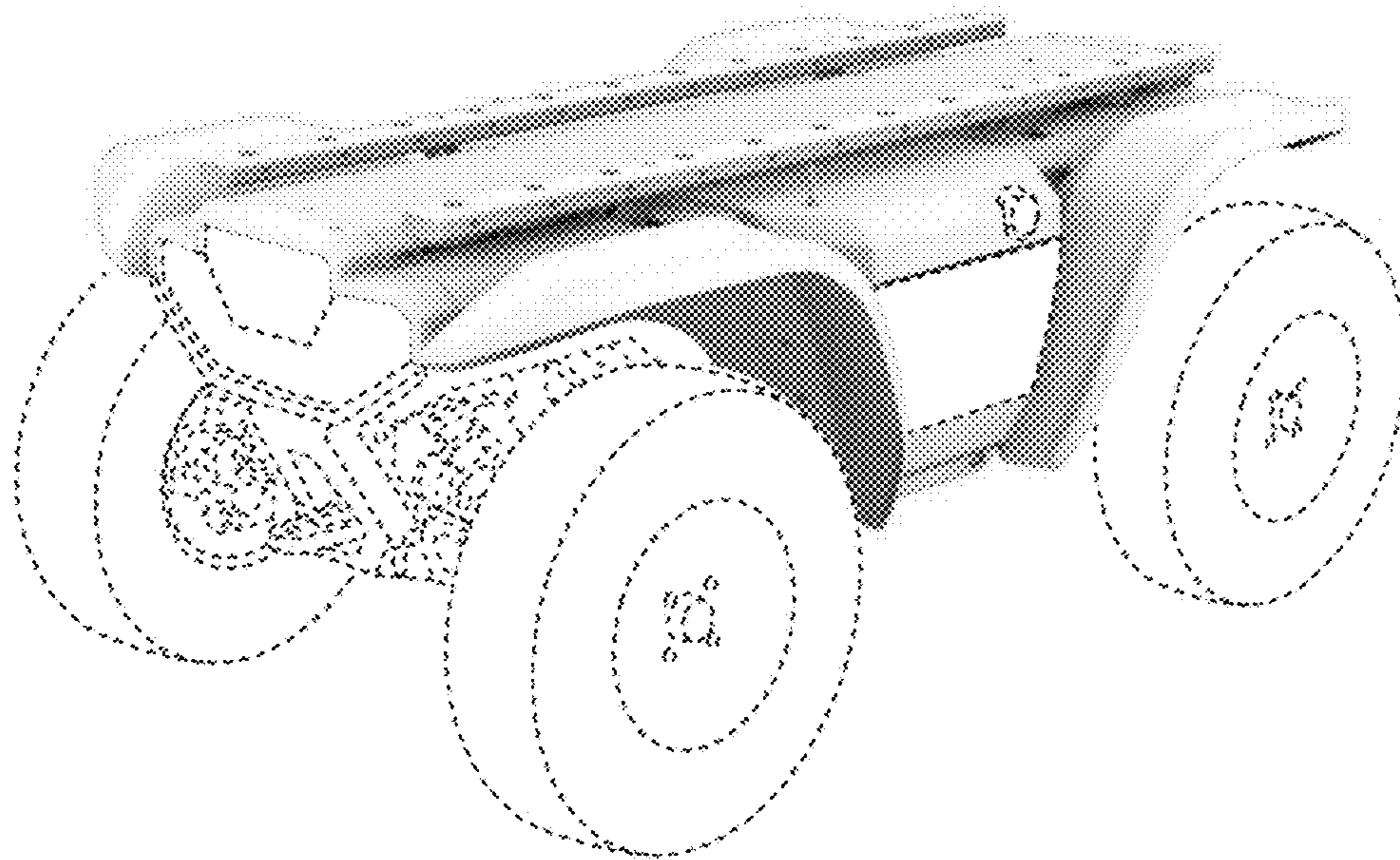


FIG. 4

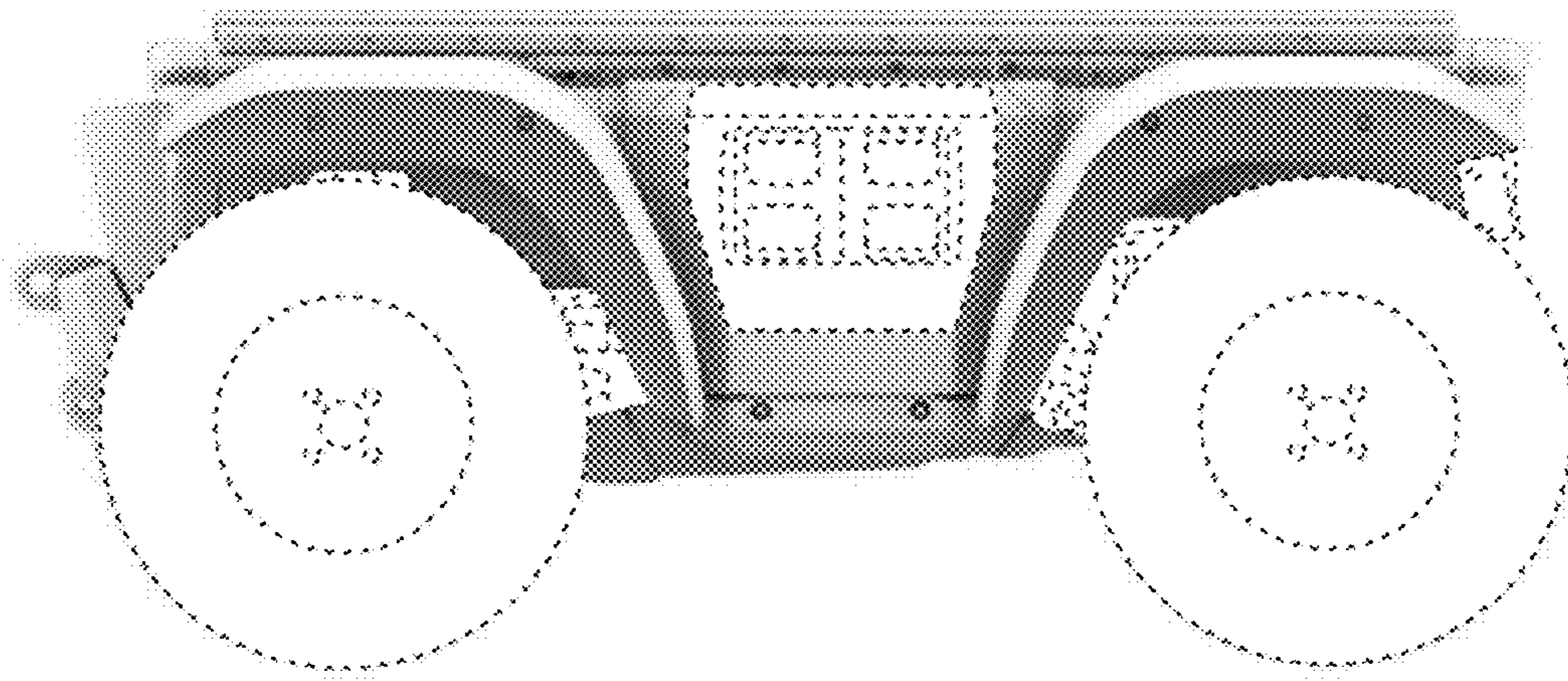


FIG. 5

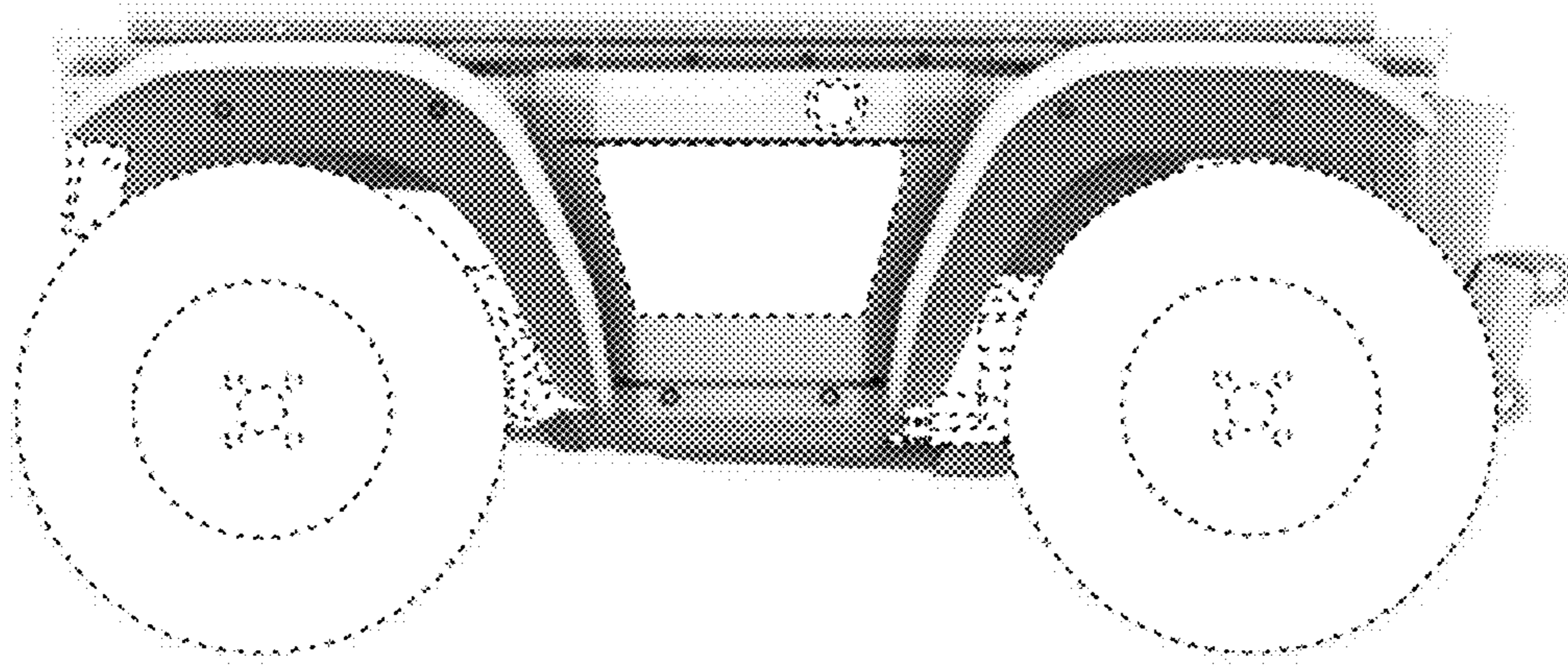


FIG. 6

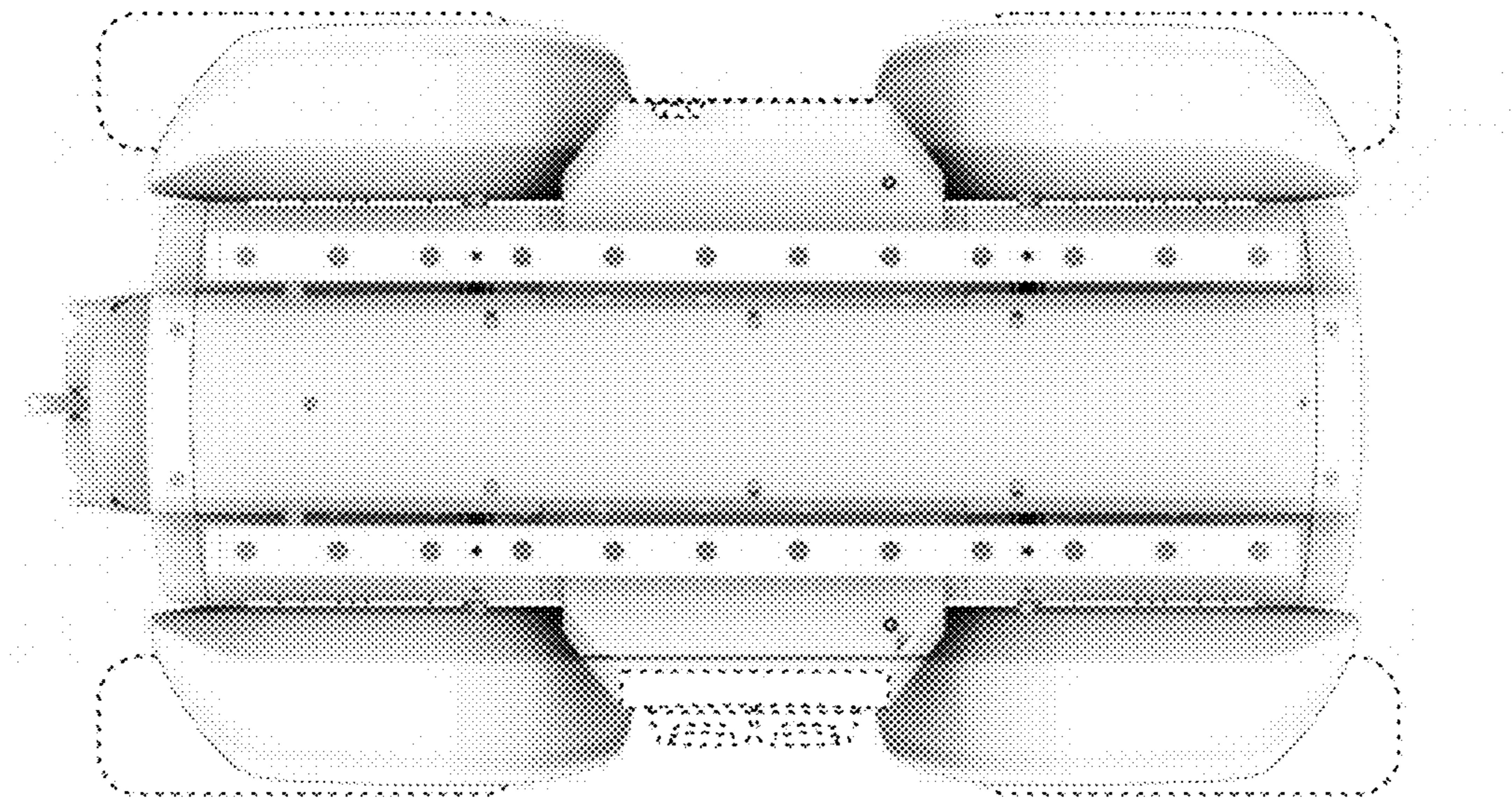


FIG. 7