



US00D858349S

(12) **United States Design Patent** (10) **Patent No.:** **US D858,349 S**  
**Ishii** (45) **Date of Patent:** **\*\* Sep. 3, 2019**

- (54) **BUCKLE**
- (71) Applicant: **NIFCO INC.**, Yokosuka-shi, Kanagawa (JP)
- (72) Inventor: **Taiyo Ishii**, Yokosuka (JP)
- (73) Assignee: **NIFCO INC.**, Yokosuka-shi, Kanagawa (JP)
- (\*\*) Term: **15 Years**
- (21) Appl. No.: **29/642,812**
- (22) Filed: **Apr. 2, 2018**

D703,097 S	4/2014	Nanbu et al.	
D703,098 S	4/2014	Quan	
D714,185 S	9/2014	Kelleghan	
D714,683 S	10/2014	McEntyre et al.	
D724,484 S	3/2015	Swan et al.	
D731,919 S *	6/2015	Kung .....	D11/218
D741,148 S *	10/2015	Liu .....	D11/218
D750,530 S *	3/2016	VanHoutin .....	D11/218
D752,480 S	3/2016	Chan	
D782,364 S	3/2017	Nykoluk	
D805,955 S	12/2017	Minson	

\* cited by examiner

*Primary Examiner* — Zenia I Bennett  
(74) *Attorney, Agent, or Firm* — Banner & Witcoff, Ltd.

**Related U.S. Application Data**

- (62) Division of application No. 35/502,294, filed on Oct. 27, 2016 (U.S. filing date under 35 U.S.C. 384), and having an international filing date of Oct. 27, 2016.
- (51) **LOC (12) Cl.** ..... **02-07**
- (52) **U.S. Cl.**  
USPC ..... **D11/218**
- (58) **Field of Classification Search**  
USPC ..... D11/1-2, 200-201, 206-210, 214-218;  
D2/853, 624  
CPC ..... A44B 11/04; A44B 11/06; A44B 11/25;  
A44B 11/26  
See application file for complete search history.

**References Cited**

**U.S. PATENT DOCUMENTS**

- D542,710 S \* 5/2007 Yoshiguchi ..... D11/218
- D672,280 S \* 12/2012 Schurian ..... D11/218

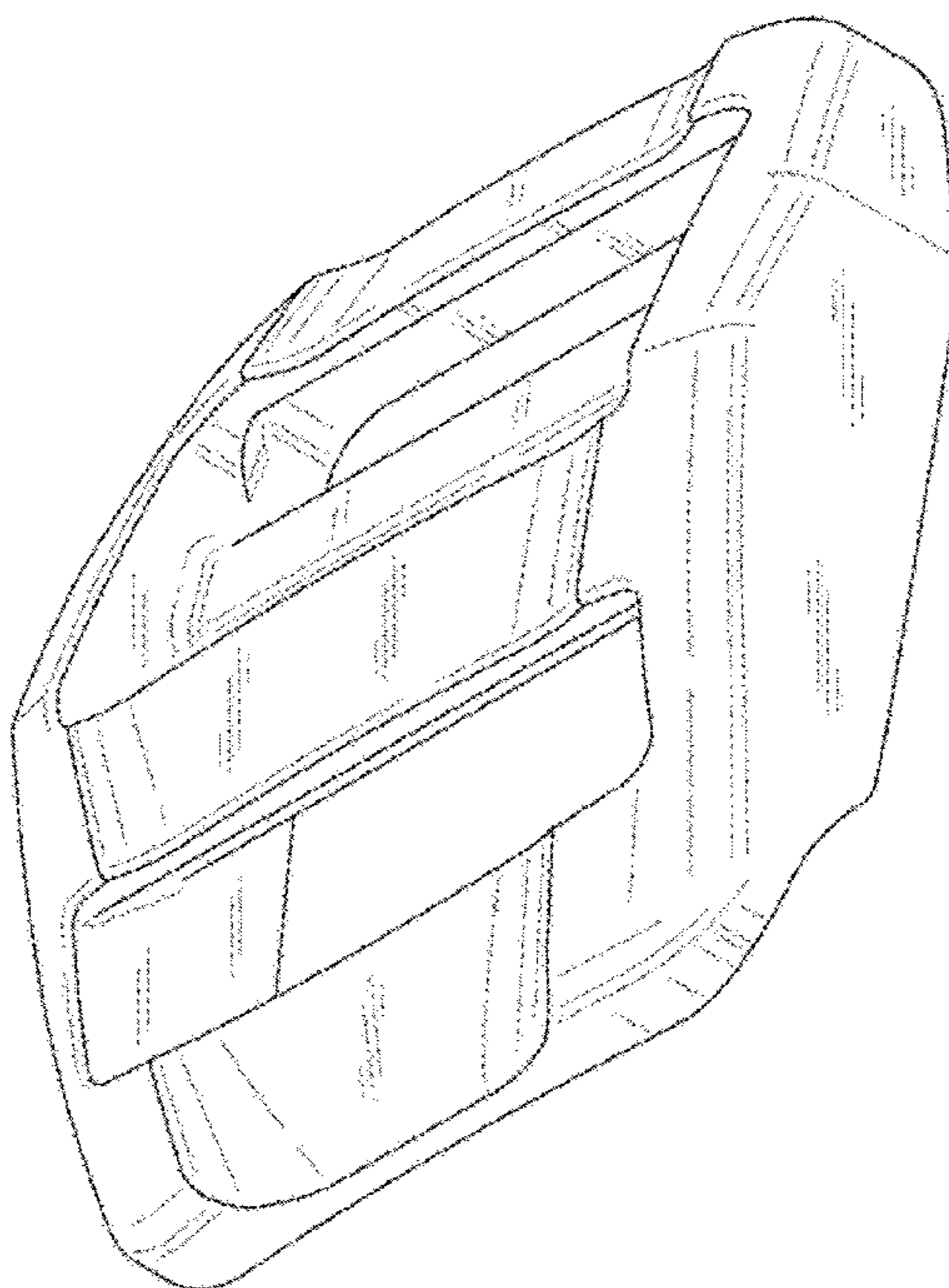
(57) **CLAIM**

The ornamental design for a buckle, as shown and described.

**DESCRIPTION**

FIG. 1 is a front perspective view of a buckle showing my new design;  
 FIG. 2 is a rear perspective view thereof;  
 FIG. 3 is a front view thereof;  
 FIG. 4 is a rear view thereof;  
 FIG. 5 is a right side view thereof, the left side being a mirror image thereof;  
 FIG. 6 is a top view thereof; and,  
 FIG. 7 is a bottom view thereof.  
 The shading lines shown on the surface of the buckle are used to specify a three dimensional shape of the claimed portion of the buckle.

**1 Claim, 7 Drawing Sheets**



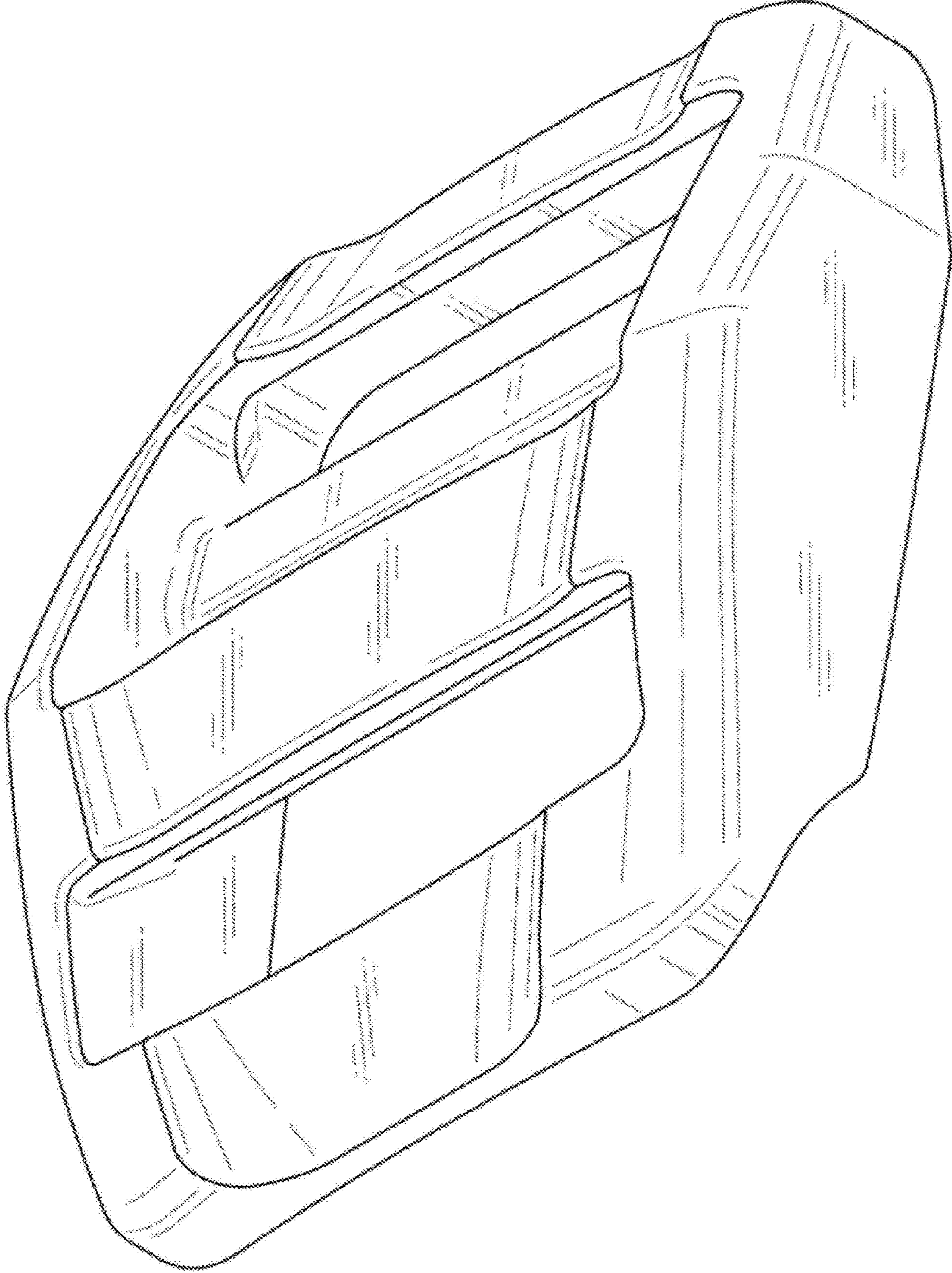


FIG. 1

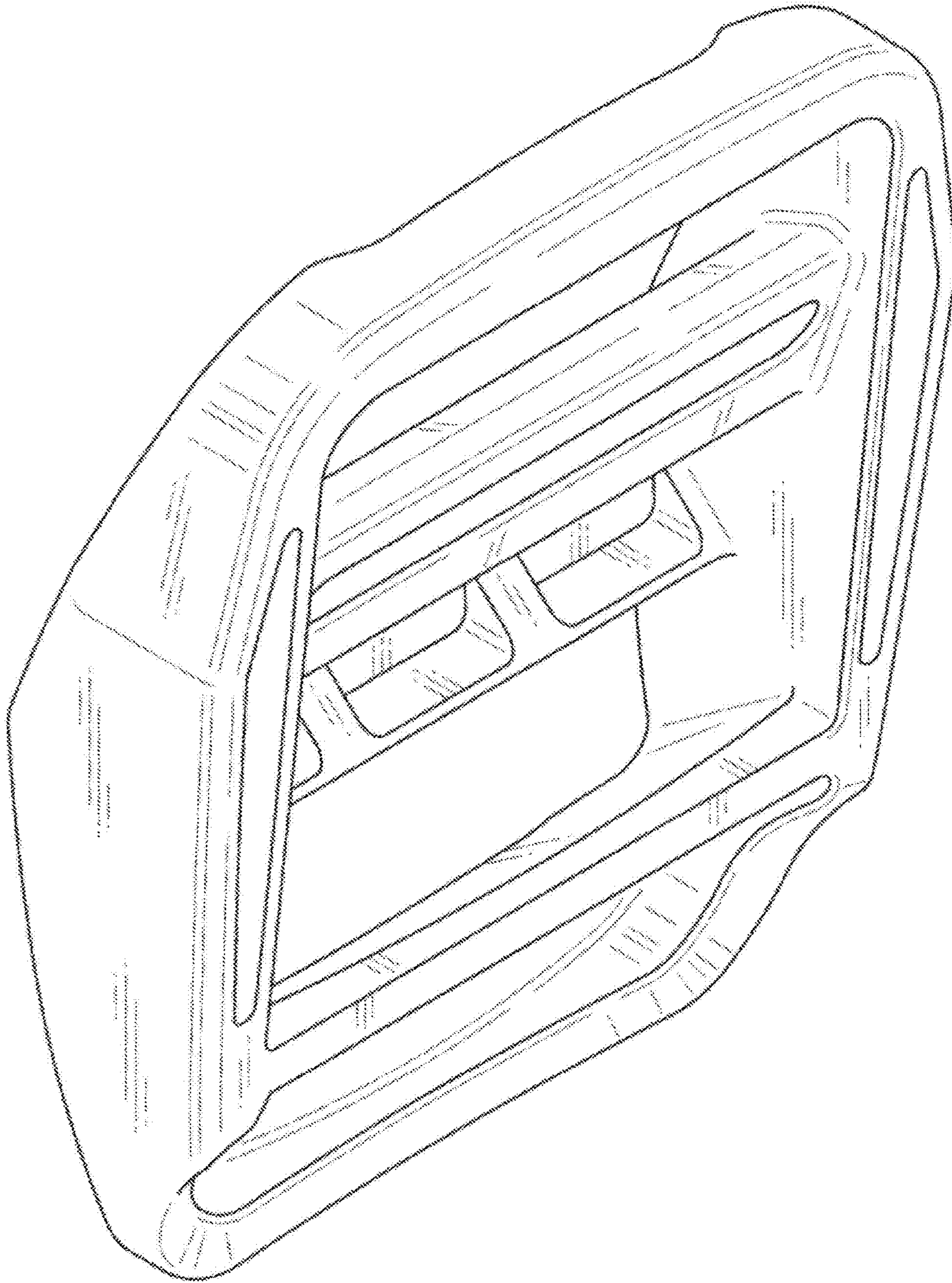


FIG. 2

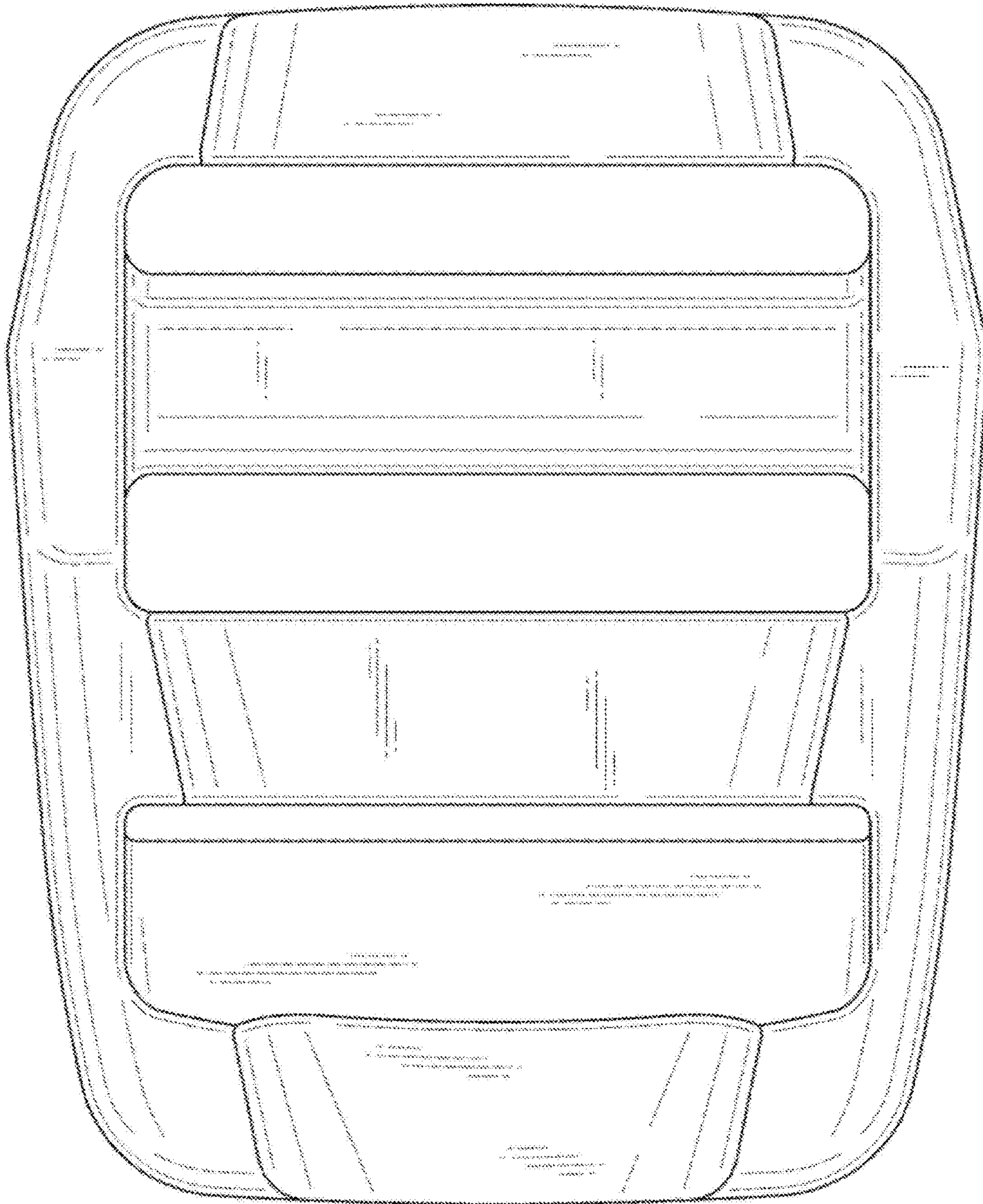


FIG. 3

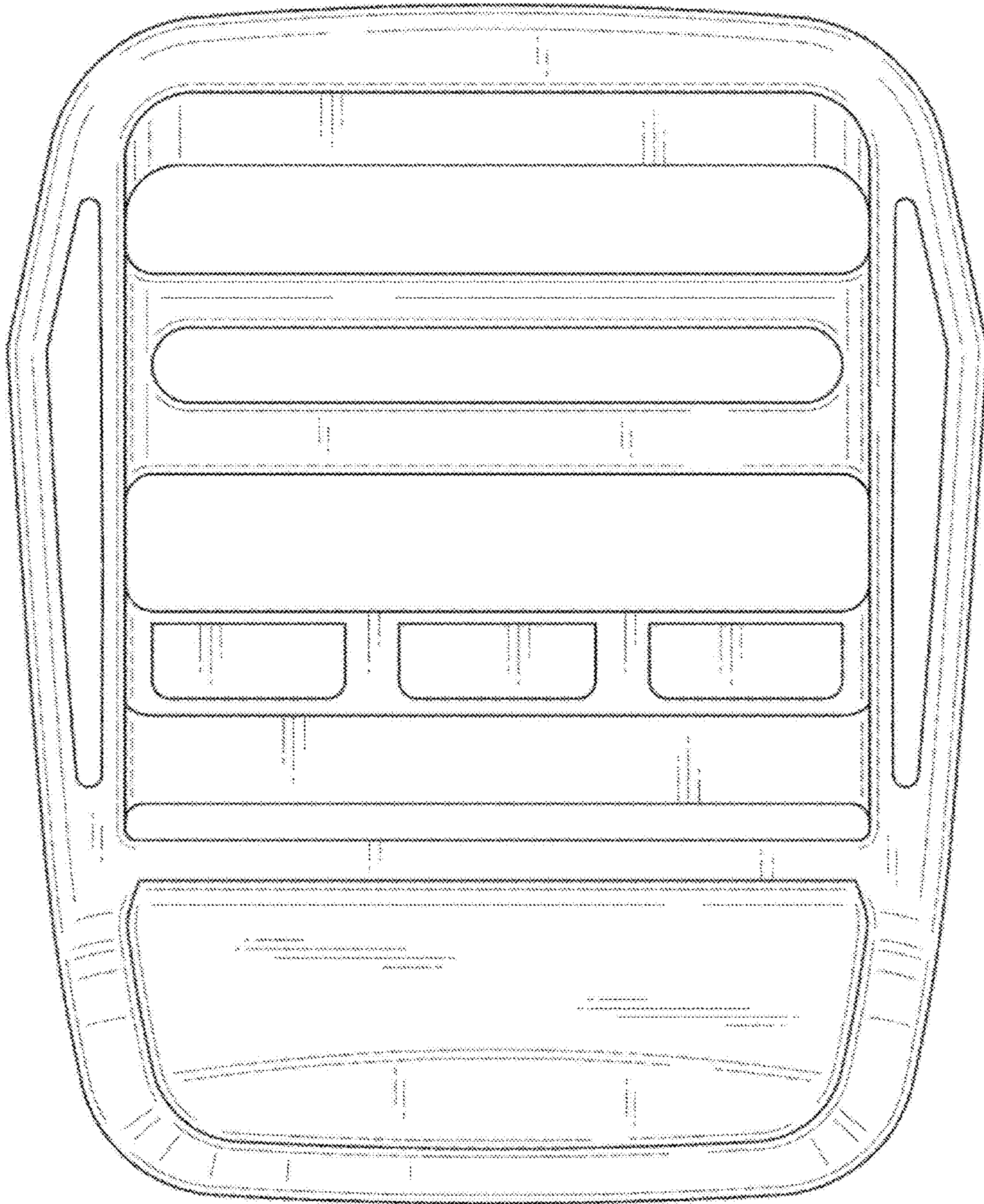


FIG. 4

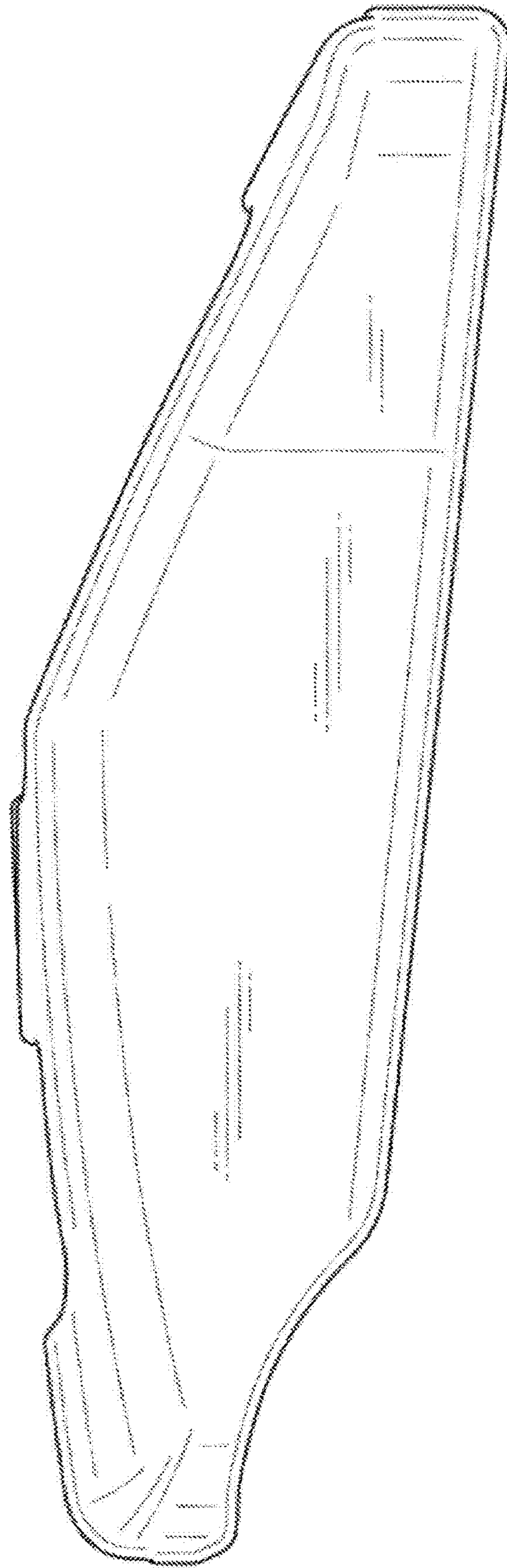


FIG. 5

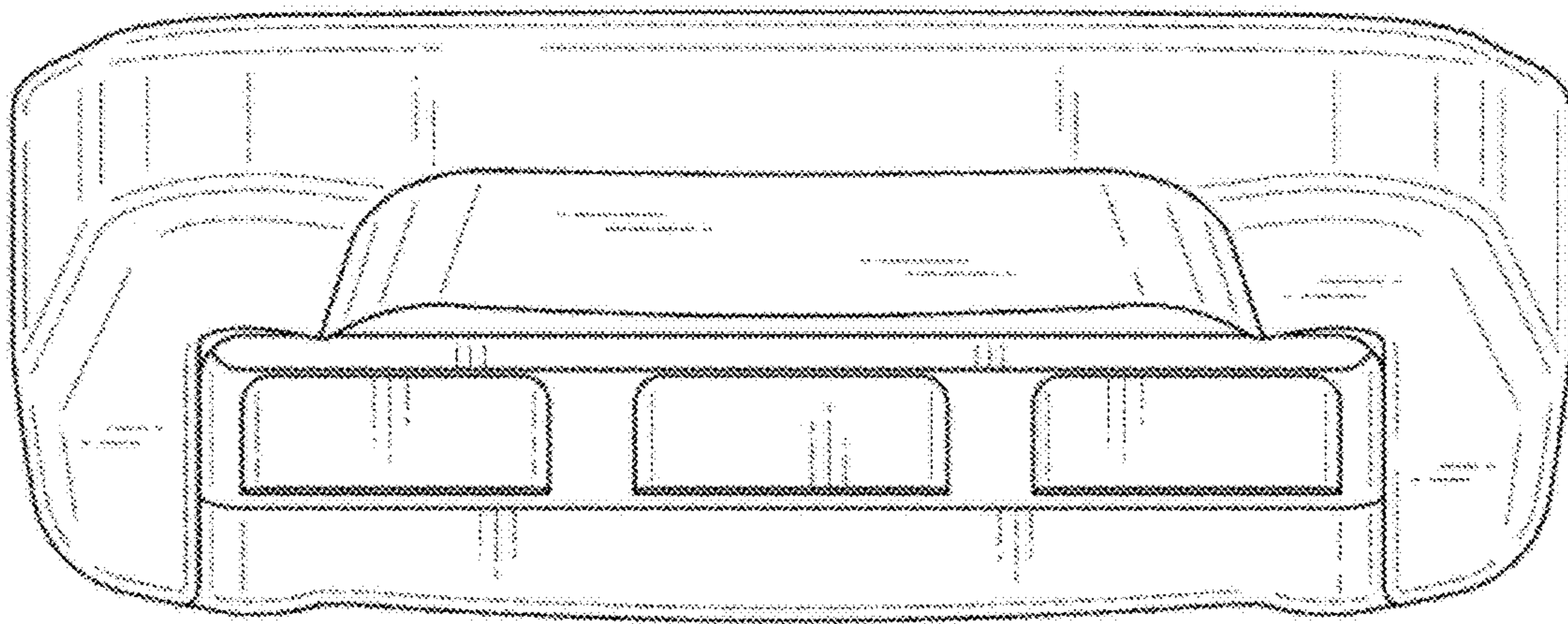


FIG. 6

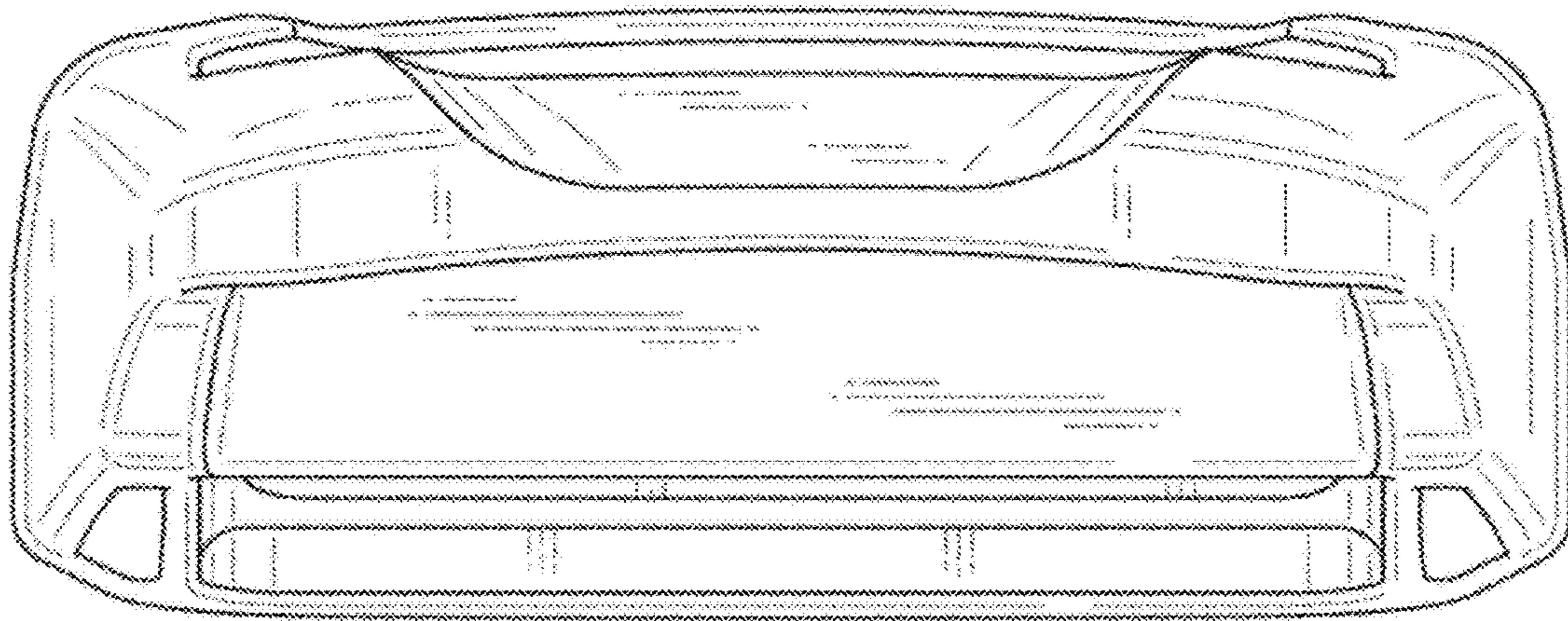


FIG. 7