



US00D858347S

(12) **United States Design Patent** (10) **Patent No.:** **US D858,347 S**
Douglas (45) **Date of Patent:** **** Sep. 3, 2019**

(54) **BELT BUCKLE**

(71) Applicant: **Kenroy Douglas**, Bronx, NY (US)

(72) Inventor: **Kenroy Douglas**, Bronx, NY (US)

(**) Term: **15 Years**

(21) Appl. No.: **29/637,997**

(22) Filed: **Feb. 23, 2018**

(51) **LOC (12) Cl.** **11-07**

(52) **U.S. Cl.**
USPC **D11/200**

(58) **Field of Classification Search**

USPC D2/624, 626, 627, 633, 639, 640, 853,
D2/923, 946, 947, 978; D3/24, 213, 215,
D3/216, 230; D8/14, 331, 343, 349, 356,
D8/358, 359, 360, 363, 366, 371, 382,
D8/394, 395; D10/32, 38; D11/1, 2, 3,
D11/12, 16, 40–44, 86, 87, 93, 200, 201,
D11/206–210, 212–218, 229–237;
D12/195, 416; D29/100–101.5, 122, 129,
D29/130; D30/139, 152, 153
CPC A44B 11/00; A44B 11/02; A44B 11/04;
A44B 11/05; A44B 11/06; A44B 11/10;
A44B 11/14; A44B 11/22; A44B 11/25;
A44B 11/26; A44B 11/125; A44B 11/223;
A44B 11/001; A44B 11/005; A44B
11/006; A44B 11/2503; A44B 11/2507;
A44B 11/2553; A44B 11/2592; A41F
1/008; A41F 9/002; A41F 9/007; A41F
11/06; B60R 22/30; B60R 22/32; B60R
22/022; B60R 2022/1806; B60R
2022/1812; B60R 2022/281; B65D 63/16;
A62B 35/00

See application file for complete search history.

(56) **References Cited**

U.S. PATENT DOCUMENTS

2,882,581	A *	4/1959	Spielman	A44B 11/2511 24/650
3,165,806	A *	1/1965	Lehman	A44B 11/2511 24/650
4,651,989	A *	3/1987	Wilson	A41F 9/002 2/321
D307,730	S *	5/1990	Foster	D11/200
D335,476	S *	5/1993	Stathis	D11/200
D387,805	S *	12/1997	Hsu	D19/61
D421,627	S *	3/2000	Gootnick	D19/126
D575,670	S *	8/2008	Niwa	D11/216
D677,984	S *	3/2013	Levin	D7/392
2008/0155793	A1 *	7/2008	Chen	A44B 11/02 24/191
2009/0184189	A1 *	7/2009	Soderberg	A43B 3/0042 242/395

* cited by examiner

Primary Examiner — Kevin K Rudzinski

Assistant Examiner — Richard Kearney

(57) **CLAIM**

The ornamental design for a belt buckle, as shown and described.

DESCRIPTION

FIG. 1 is a top view of a belt buckle according to the present application.

FIG. 2 is a left side view of the belt buckle.

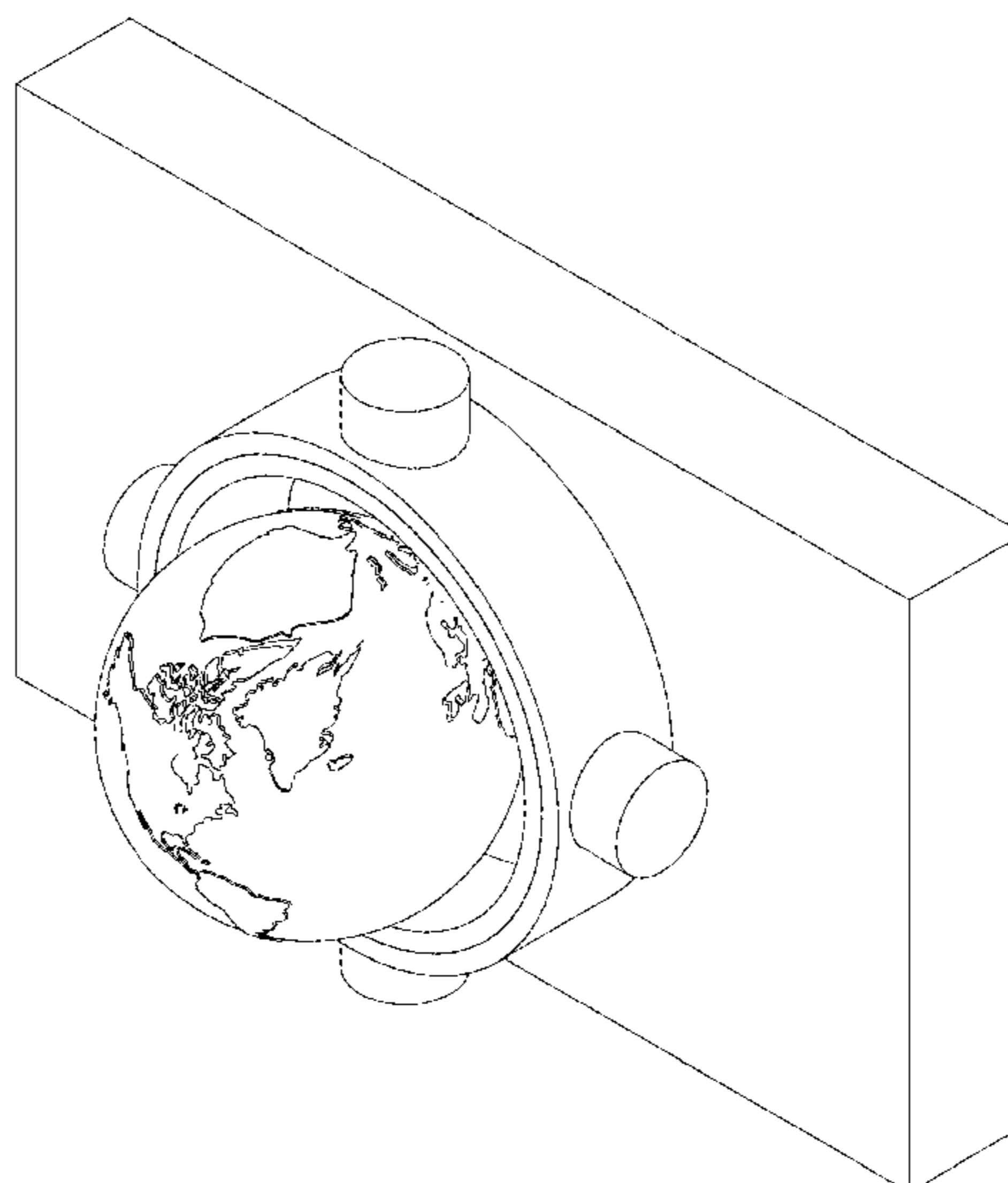
FIG. 3 is a right side view of the belt buckle.

FIG. 4 is back side view of the belt buckle.

FIG. 5 is a front side view of the belt buckle; and,

FIG. 6 is a front perspective view of the belt buckle of FIG. 1.

1 Claim, 2 Drawing Sheets



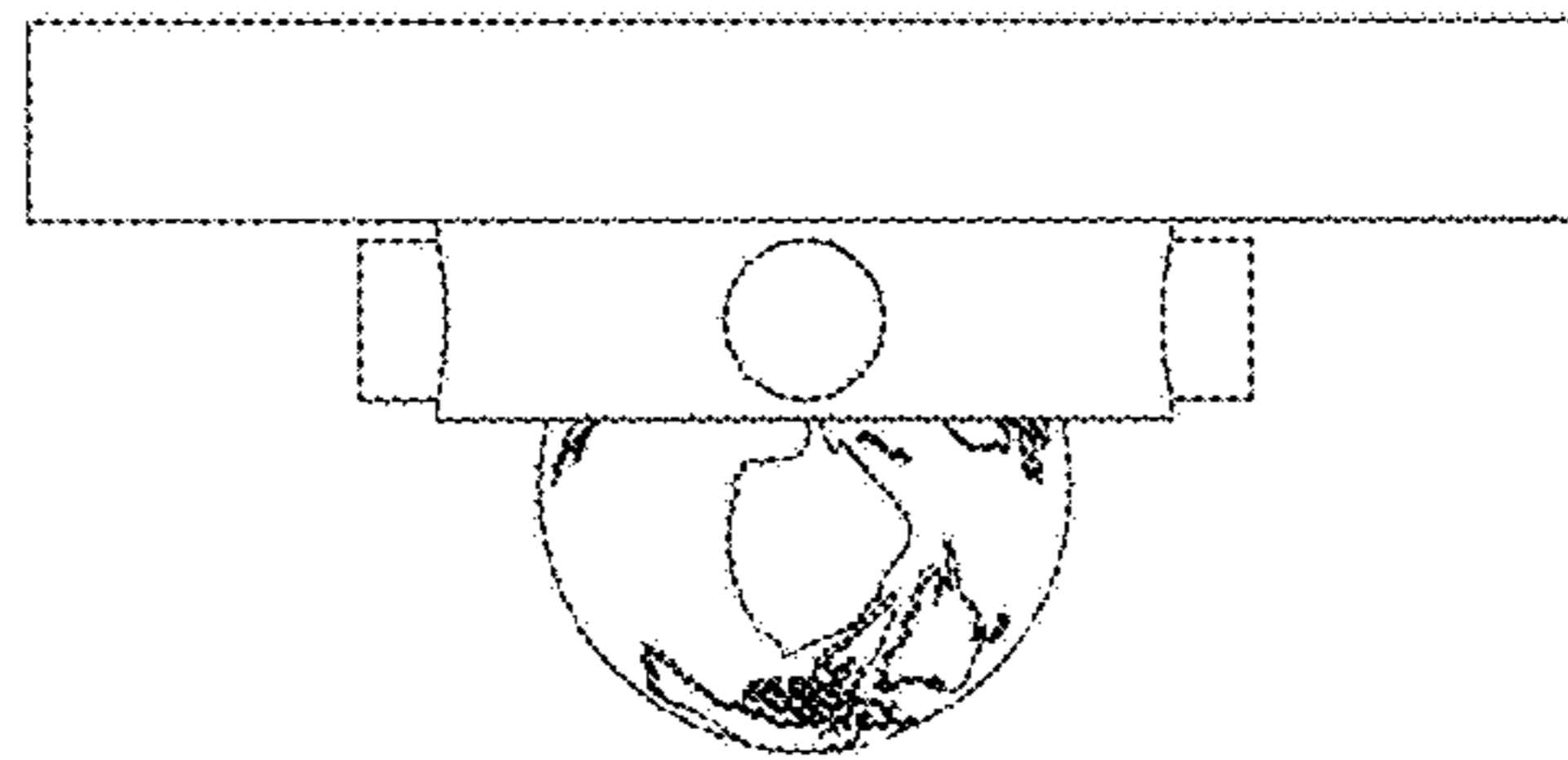


FIG. 5

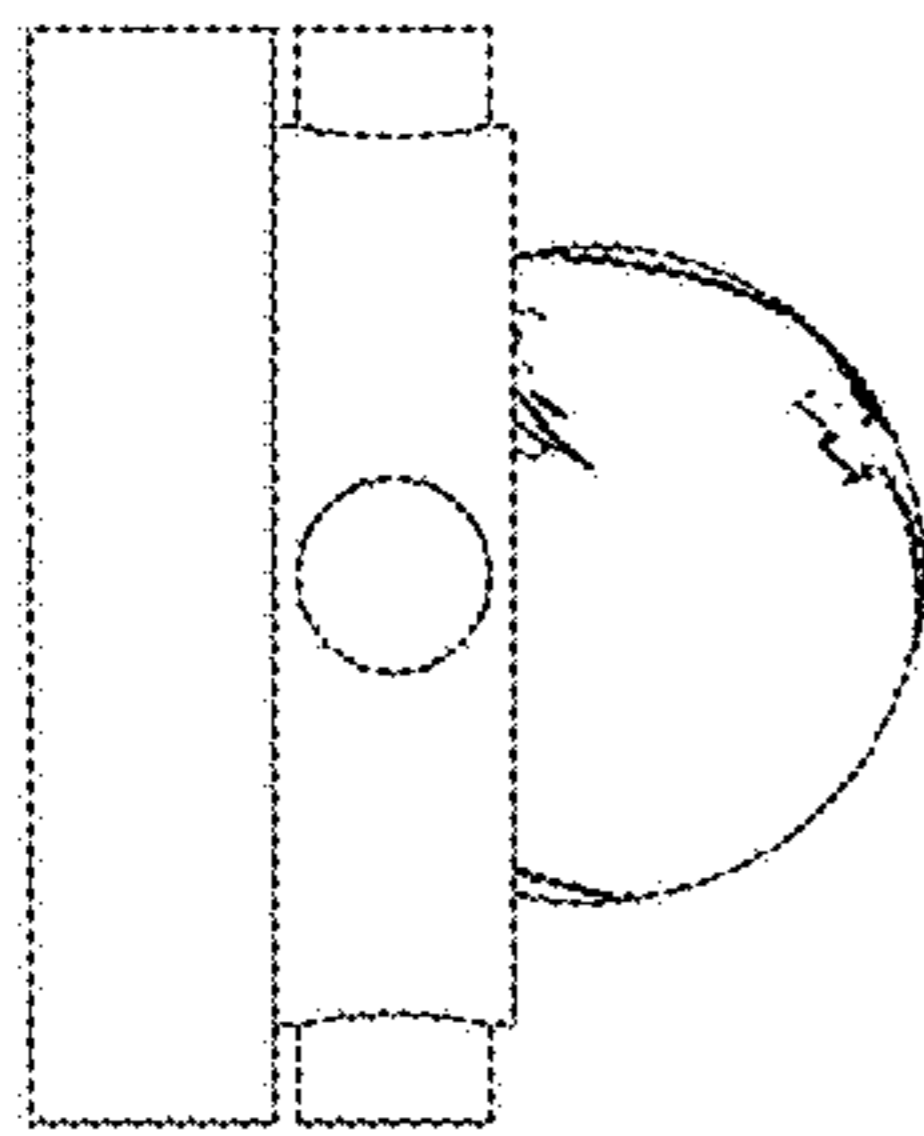


FIG. 3

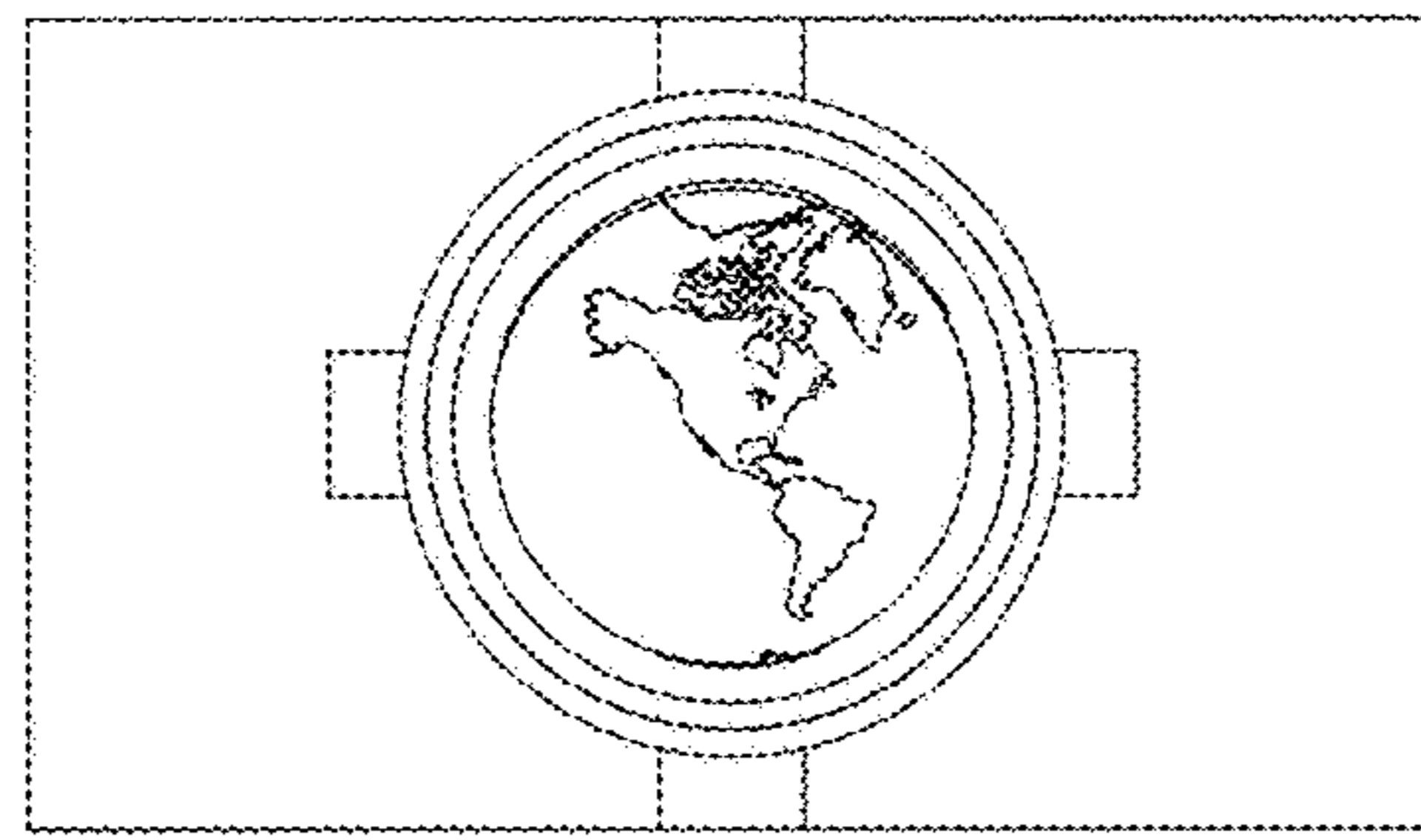


FIG. 1

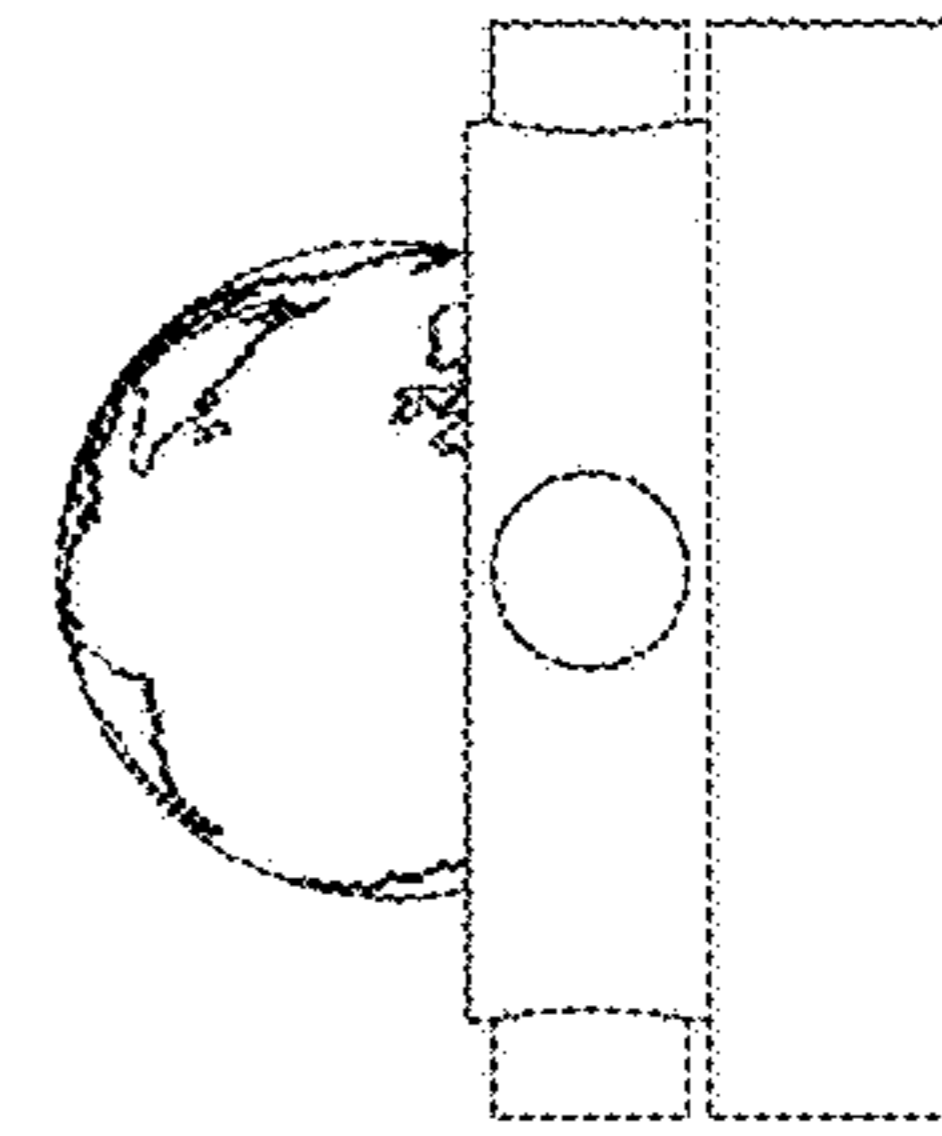


FIG. 2

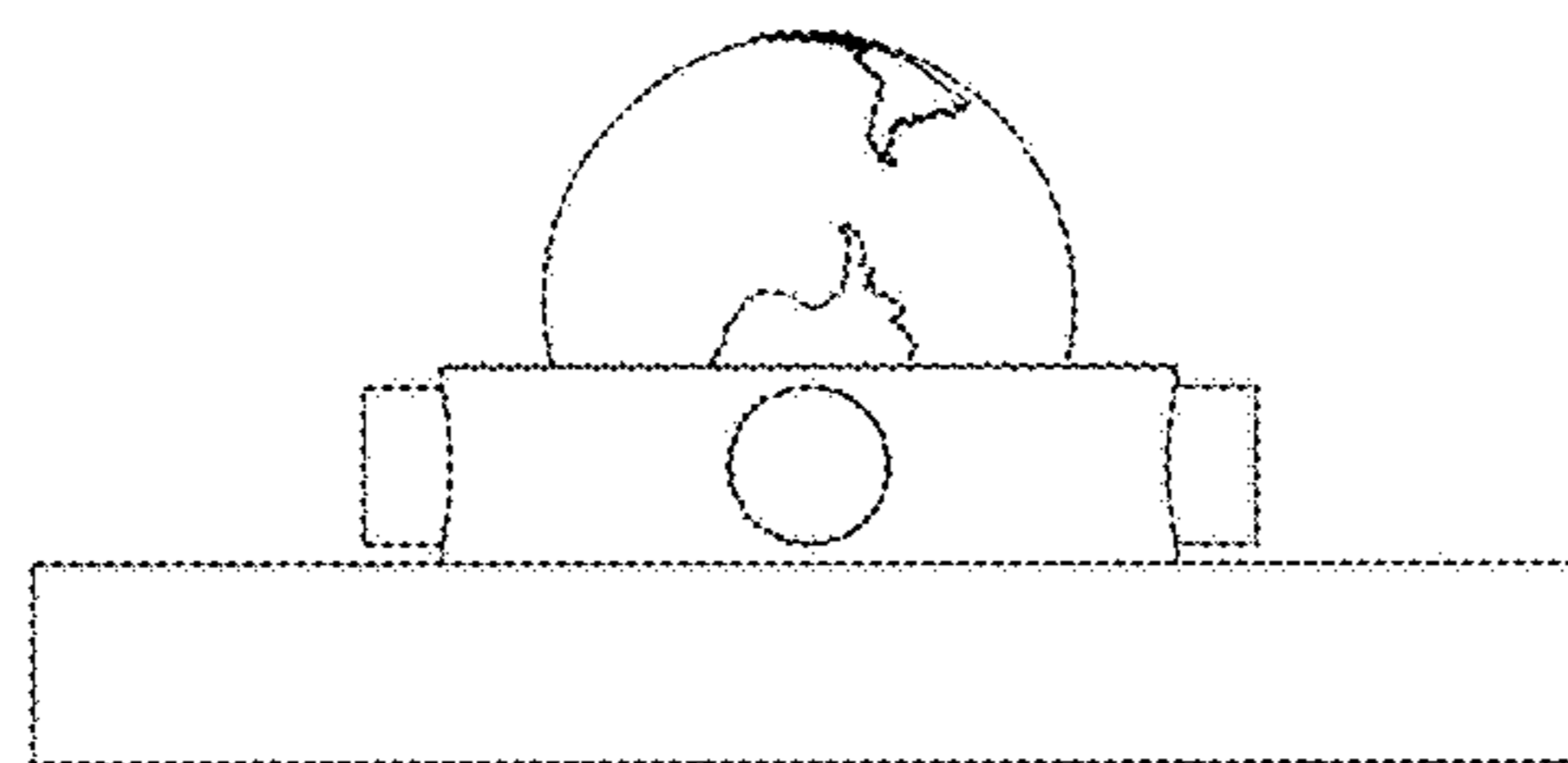


FIG. 4

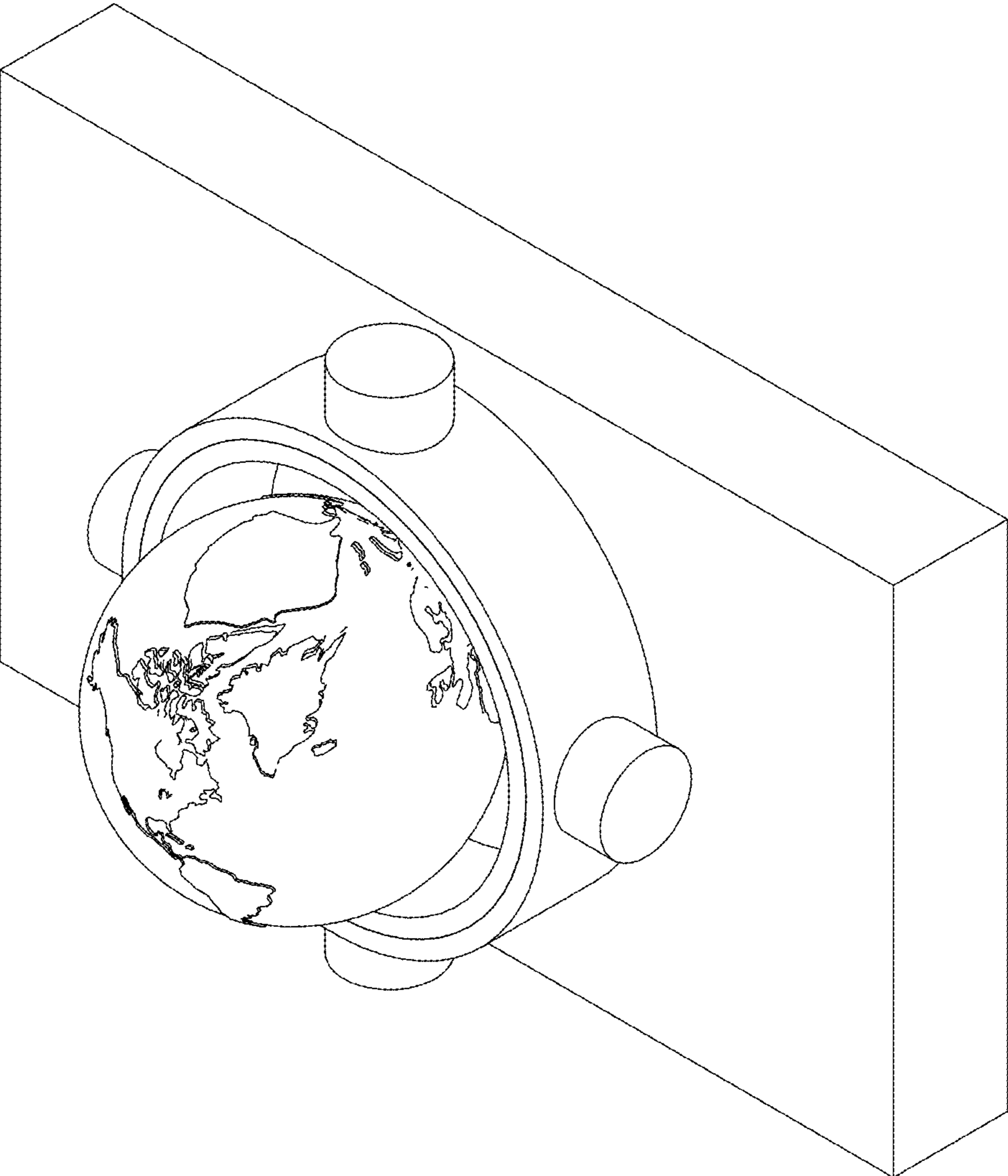


FIG. 6