



US00D858346S

(12) **United States Design Patent**
Lyle et al.

(10) **Patent No.:** **US D858,346 S**

(45) **Date of Patent:** **** Sep. 3, 2019**

(54) **FLAG HOLDER**

(71) Applicants: **Richard M. Lyle**, Mount Gilead, OH
(US); **Susanne B. Lyle**, Mount Gilead,
OH (US)

(72) Inventors: **Richard M. Lyle**, Mount Gilead, OH
(US); **Susanne B. Lyle**, Mount Gilead,
OH (US)

(**) Term: **15 Years**

(21) Appl. No.: **29/631,646**

(22) Filed: **Jan. 1, 2018**

(51) **LOC (12) Cl.** **11-05**

(52) **U.S. Cl.**
USPC **D11/182**

(58) **Field of Classification Search**
USPC D11/165, 166, 180, 181, 182, 183;
D8/373, 376, 380, 391; D20/16, 17, 28,
D20/41-43; D21/840; D22/103, 142;
D24/228; D6/702
CPC G09F 17/00; G09F 2017/00; G09F
2017/0066; G09F 2017/0075; G09F
2017/005; G09F 2017/0008
See application file for complete search history.

(56) **References Cited**

U.S. PATENT DOCUMENTS

2,799,543	A *	7/1957	Tomaselli	A45B 23/00	108/50.12
D188,950	S *	10/1960	Miller	D21/718	
4,227,406	A *	10/1980	Coffey	G01P 13/02	116/26
5,377,944	A *	1/1995	Getsinger	G09F 17/00	248/218.4
D360,229	S *	7/1995	Caulk	D20/41	
D411,342	S *	6/1999	Lee	D3/6	
6,428,242	B1 *	8/2002	Ward	E02B 3/068	114/263

6,493,973	B1 *	12/2002	Nelson	G09F 7/18	40/607.12
D492,976	S *	7/2004	Hsu	D21/840	
D514,177	S *	1/2006	Connerley	D11/183	
D566,382	S *	4/2008	Hermanson	D3/10	
7,716,860	B1 *	5/2010	Burris	G09F 11/29	160/23.1
D623,507	S *	9/2010	Bowen, III	D8/391	
D657,233	S *	4/2012	Penney	D8/376	
D662,442	S *	6/2012	Ettorre	D11/182	

(Continued)

Primary Examiner — Karen S Acker

(74) *Attorney, Agent, or Firm* — Bryce D. Miracle;
Miracle IP

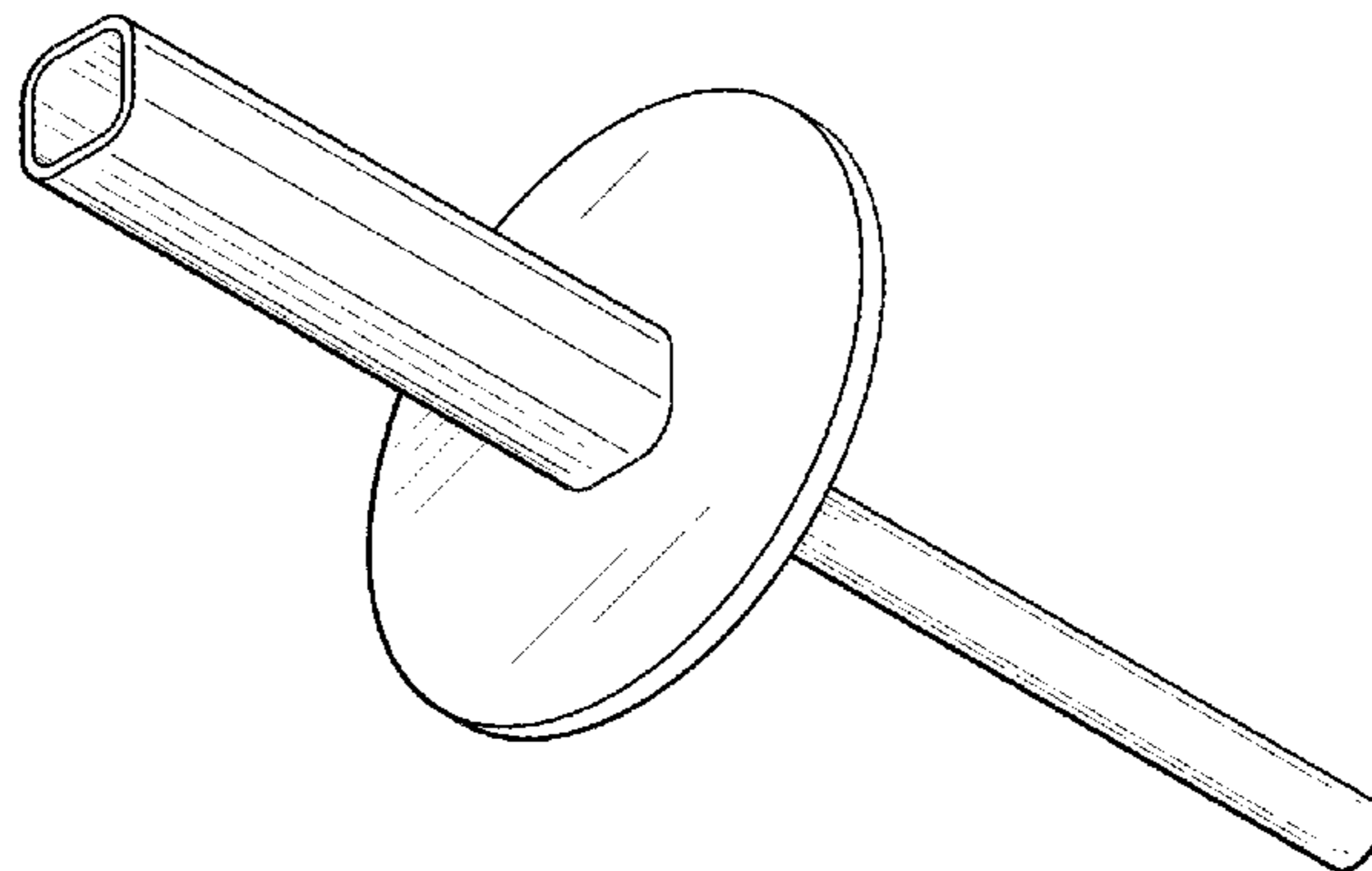
(57) **CLAIM**

The ornamental design for a flag holder, as shown and described.

DESCRIPTION

FIG. 1 is a front perspective view of a first embodiment of a flag holder showing the new design; FIG. 2 is a rear perspective view thereof; FIG. 3 is a top plan view thereof; FIG. 4 is a bottom plan view thereof; FIG. 5 is a front elevation view thereof; FIG. 6 is a rear elevation view thereof; FIG. 7 is a right side elevation view thereof; FIG. 8 is a left side elevation view thereof; FIG. 9 is a side view thereof showing the flag holder in a position of use seated in the ground and holding a flag; FIG. 10 is a front perspective view of a second embodiment of the flag holder wherein a drain hole is included; and, FIG. 11 is a front elevation view thereof. The broken lines in FIG. 9 depict environmental subject matter that forms no part of the claimed design. Views not shown in the second embodiment are identical to FIGS. 2-4 and 6-8 of the first embodiment.

1 Claim, 11 Drawing Sheets



(56)

References Cited

U.S. PATENT DOCUMENTS

8,317,226 B1 * 11/2012 Wong G09F 17/00
280/769
D702,769 S * 4/2014 Cyphers D20/41
D719,798 S * 12/2014 Thompson D8/1
D727,010 S * 4/2015 Greto D3/10
D778,364 S * 2/2017 Smith D20/41
D822,980 S * 7/2018 Schaeder D3/10
D833,136 S * 11/2018 Ma D3/10
2004/0041070 A1 * 3/2004 Richardson B60R 9/06
248/511
2006/0053667 A1 * 3/2006 Andersen G09F 21/04
40/591
2013/0056607 A1 * 3/2013 Mortezaazadeh E02D 27/42
248/530
2017/0169739 A1 * 6/2017 Magness G09F 17/00

* cited by examiner

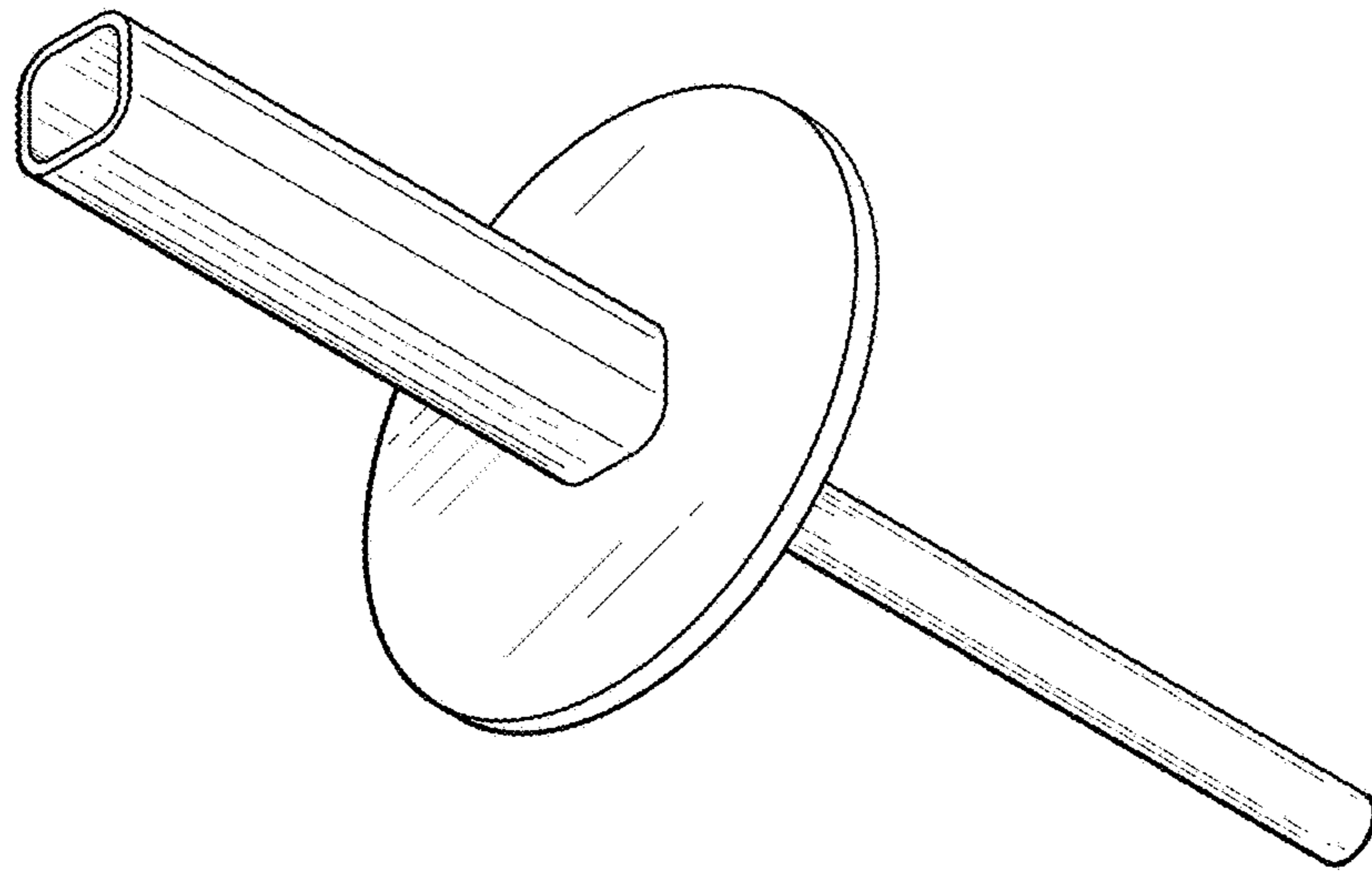


FIG. 1

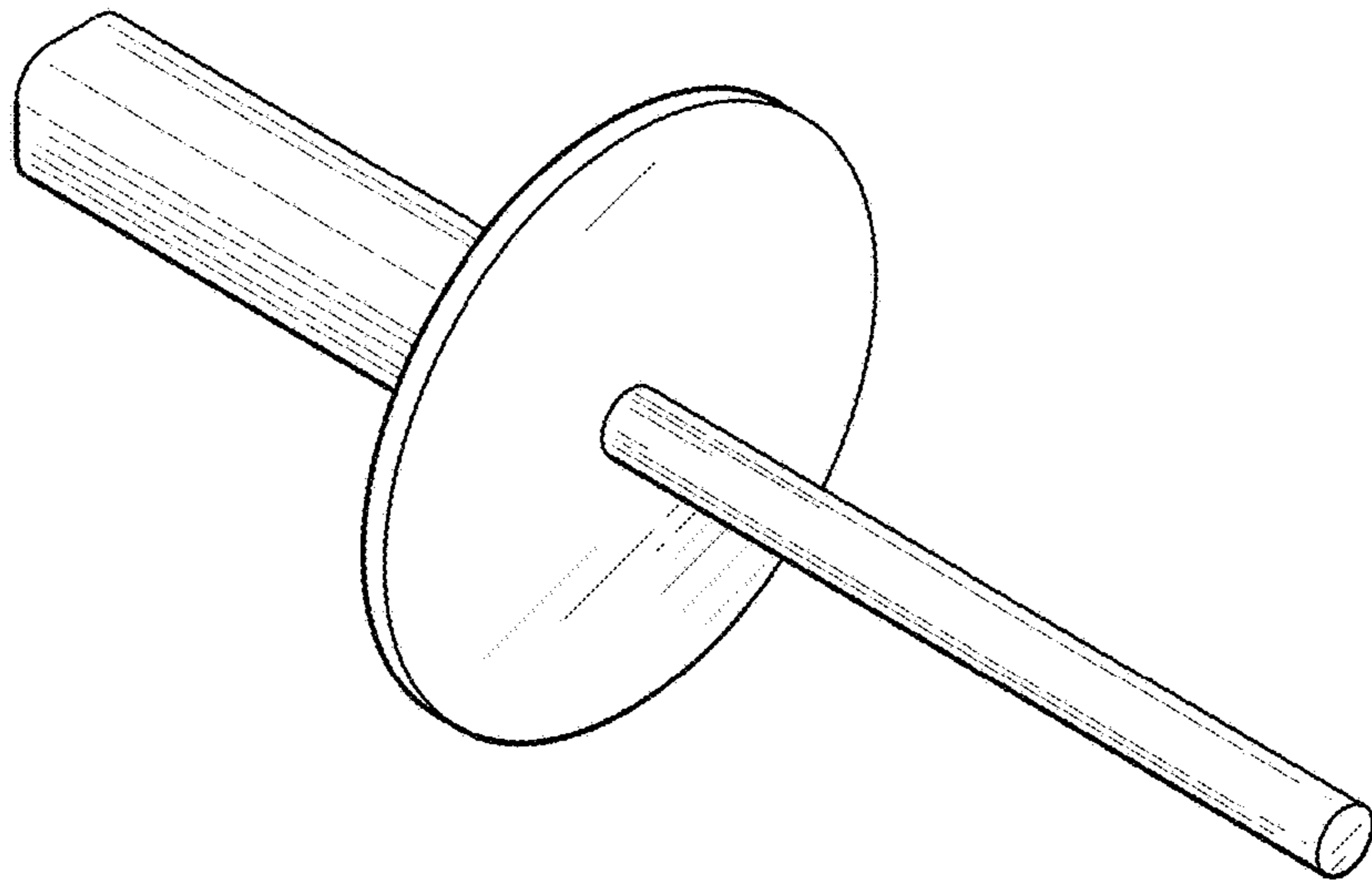


FIG. 2

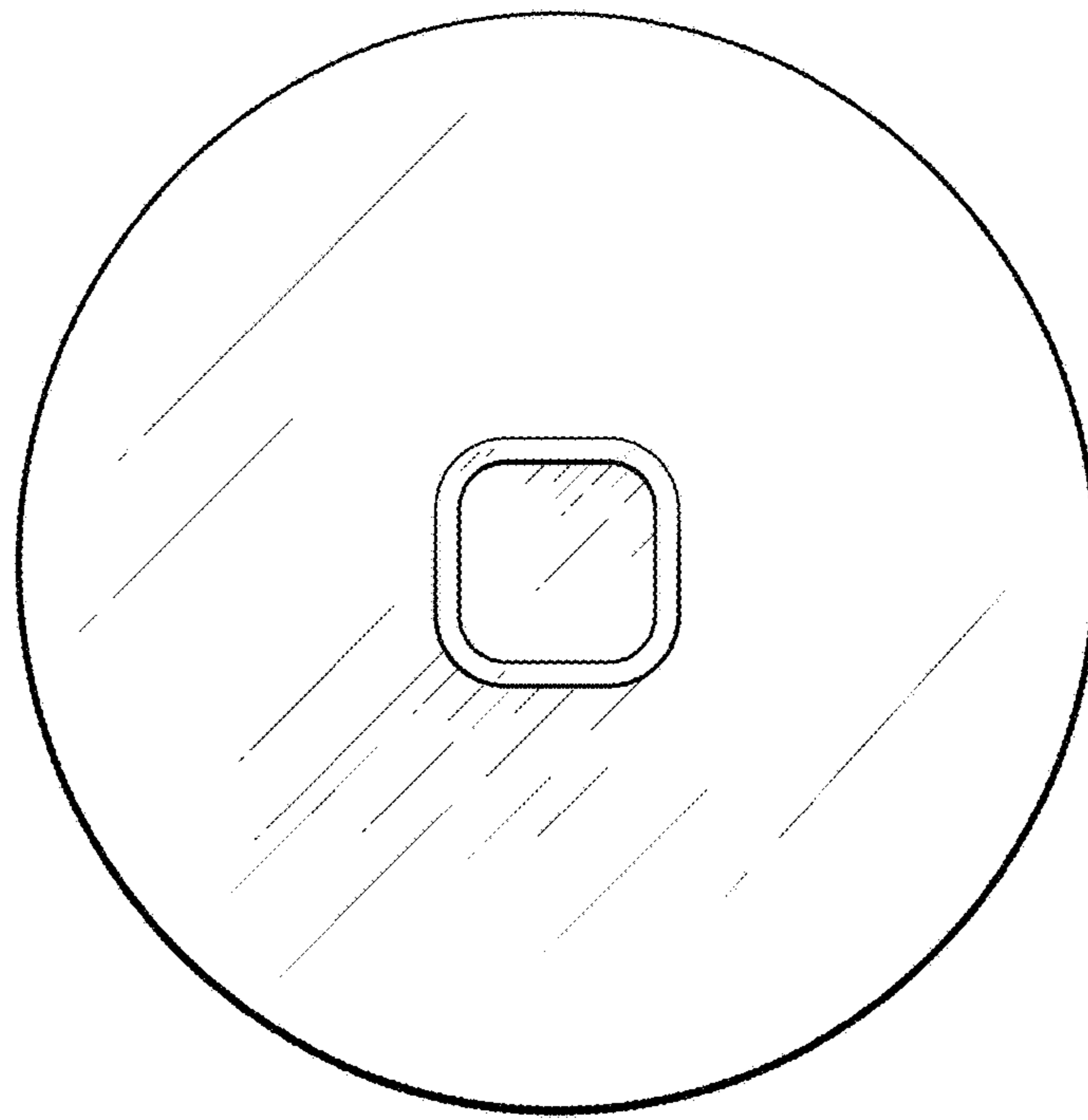


FIG. 3

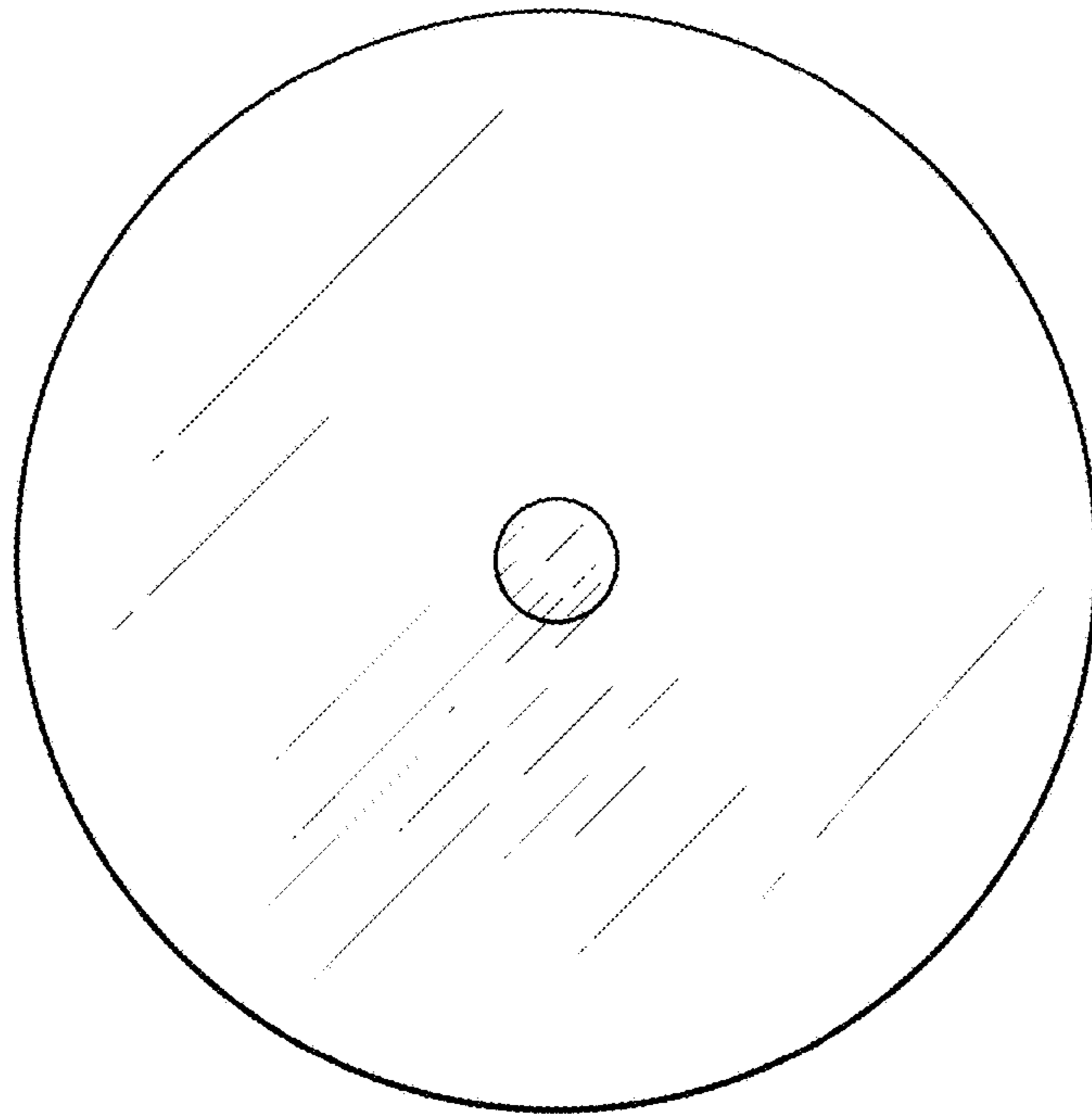


FIG. 4

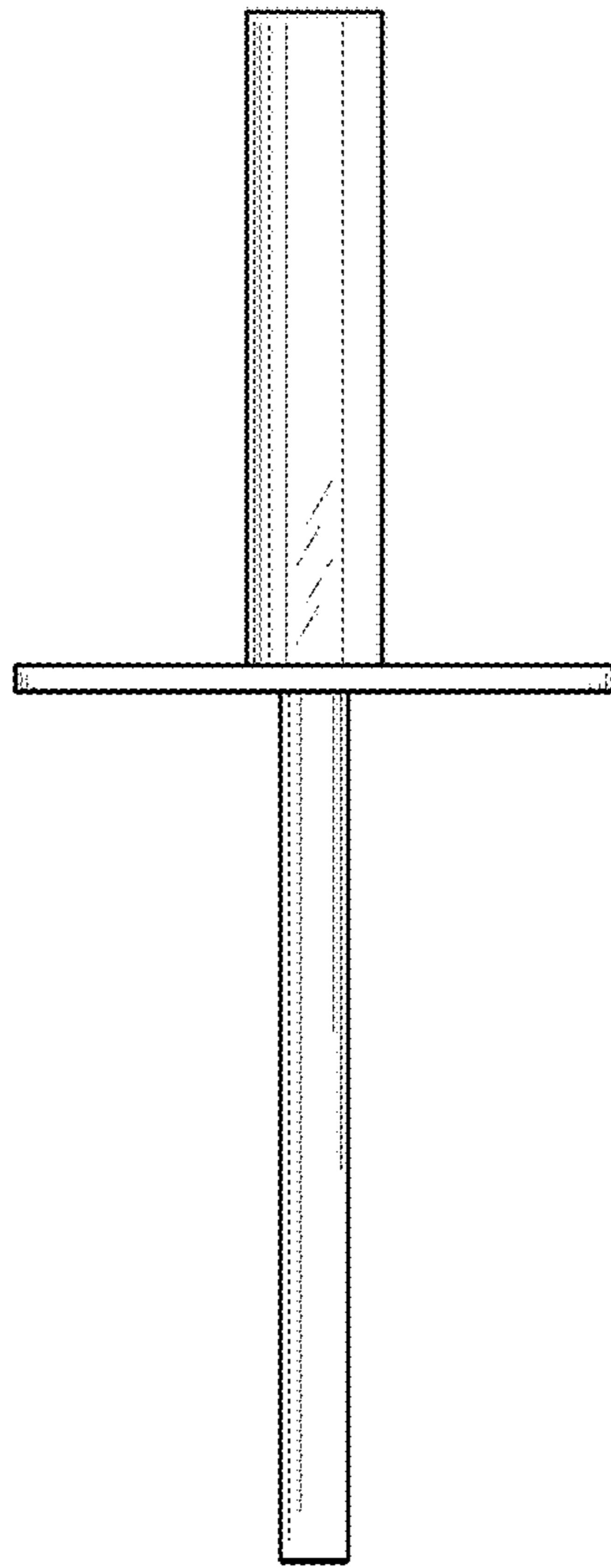


FIG. 5

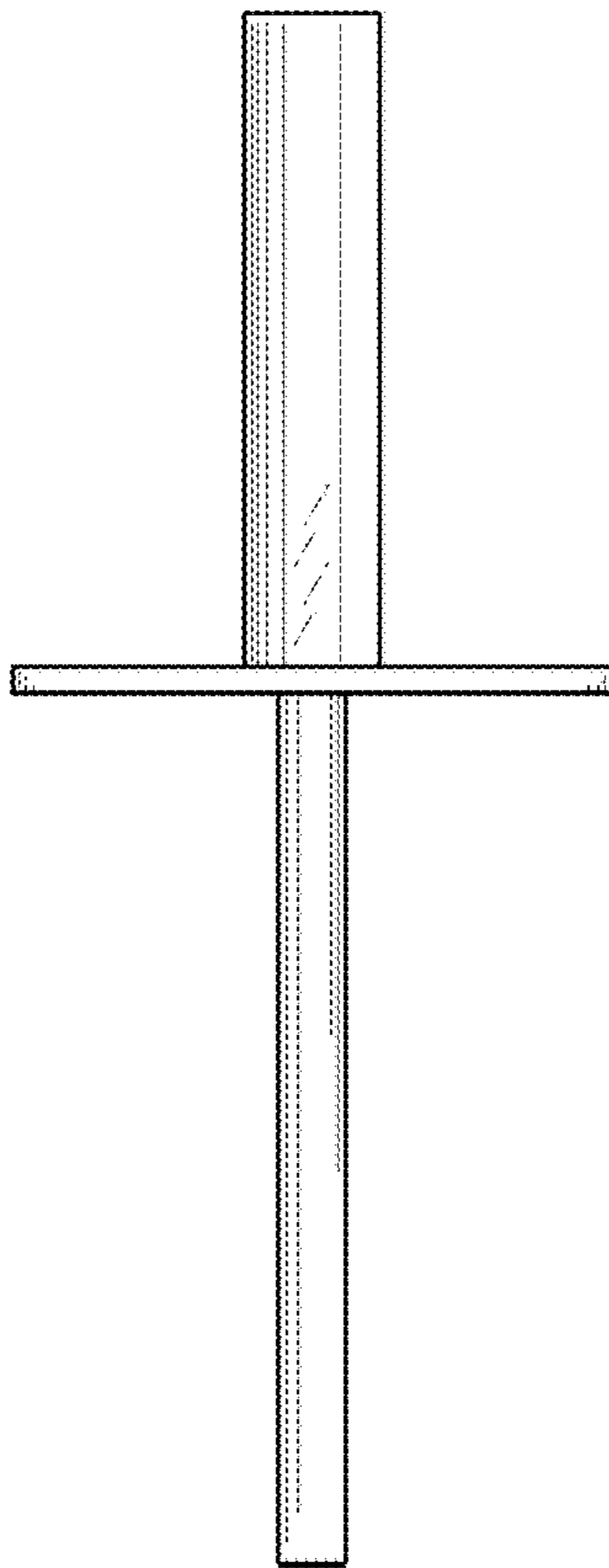


FIG. 6

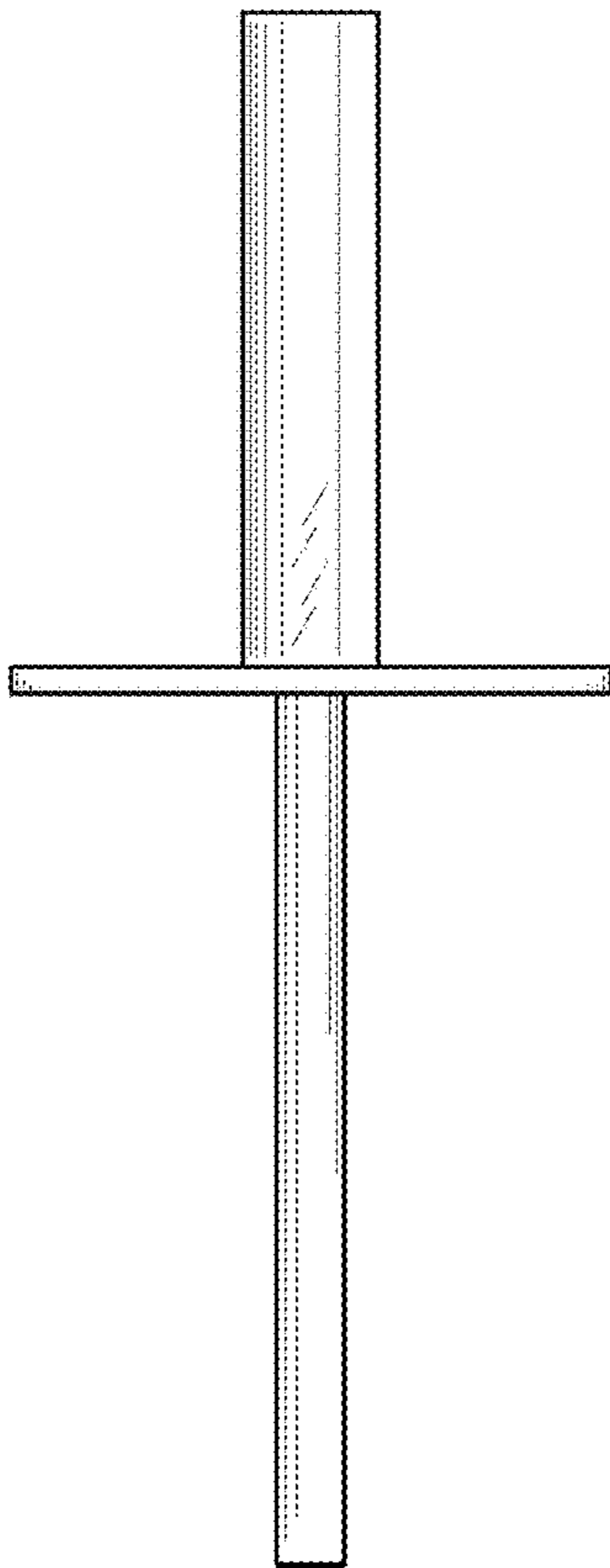


FIG. 7

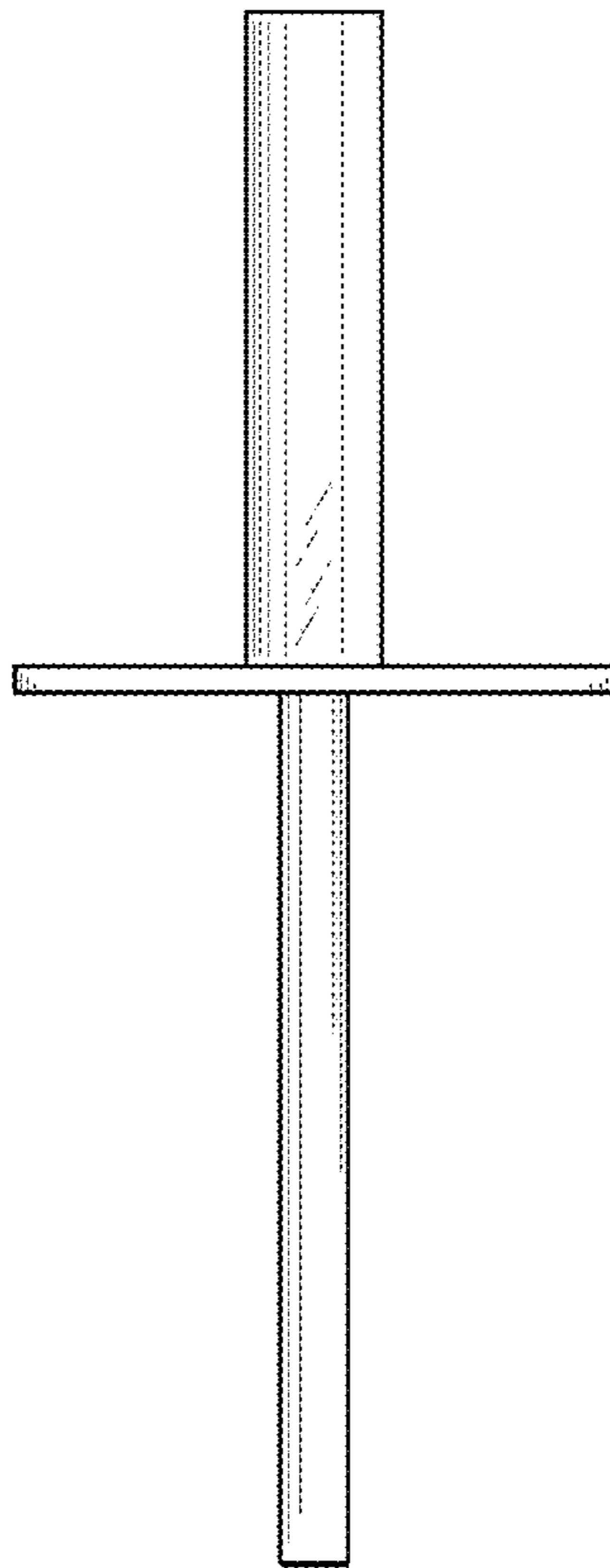


FIG. 8

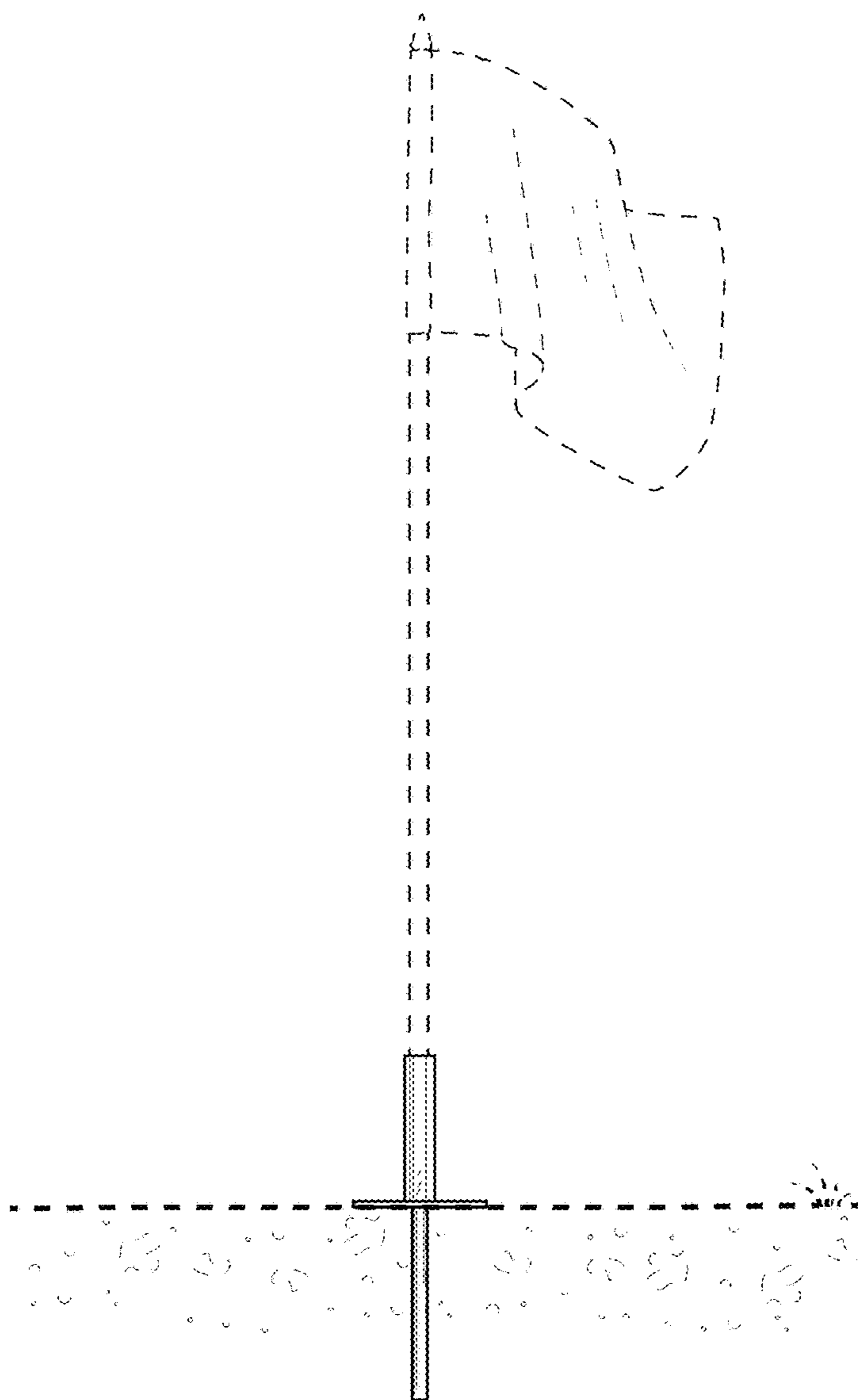


FIG. 9

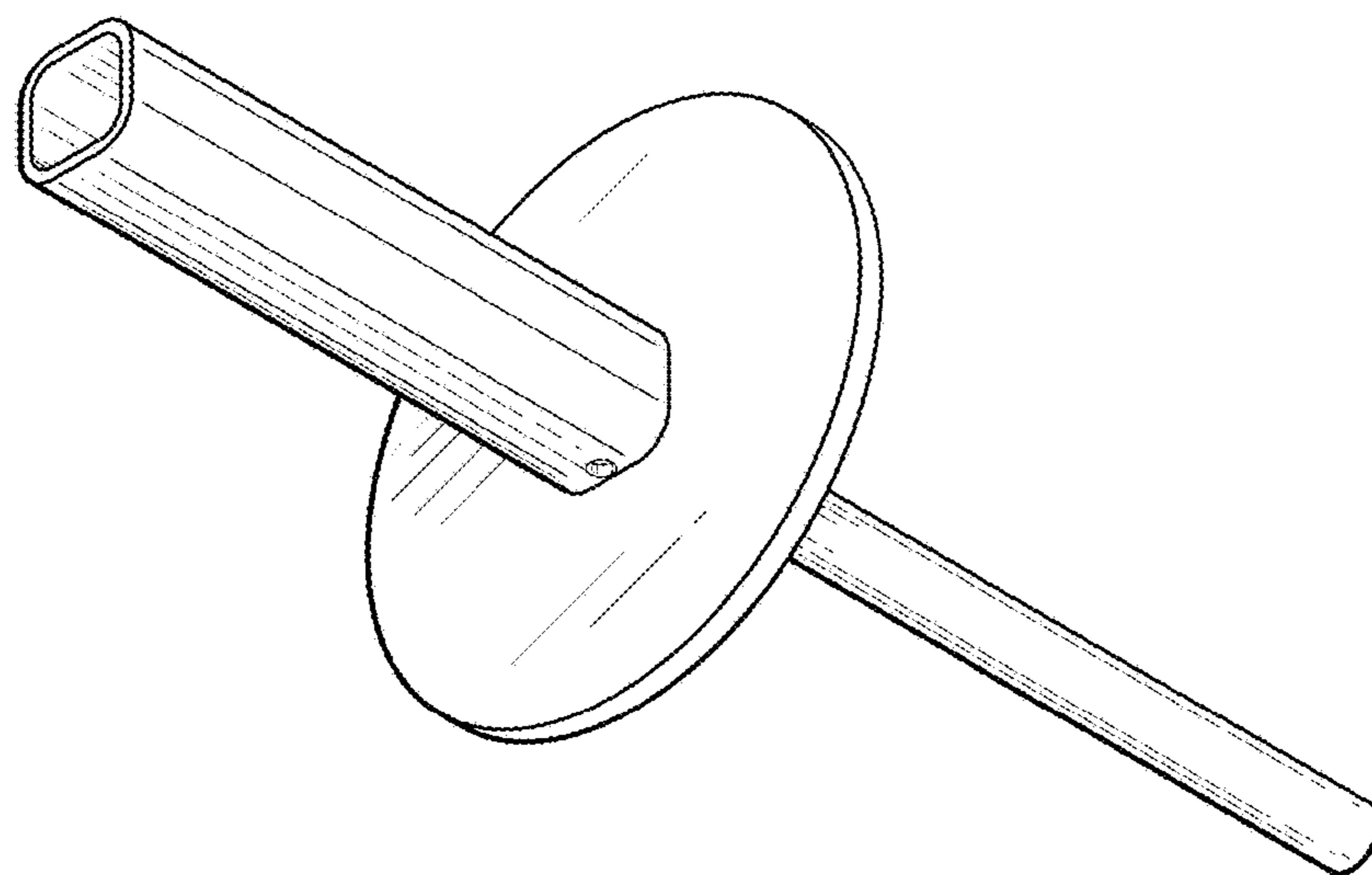


FIG. 10

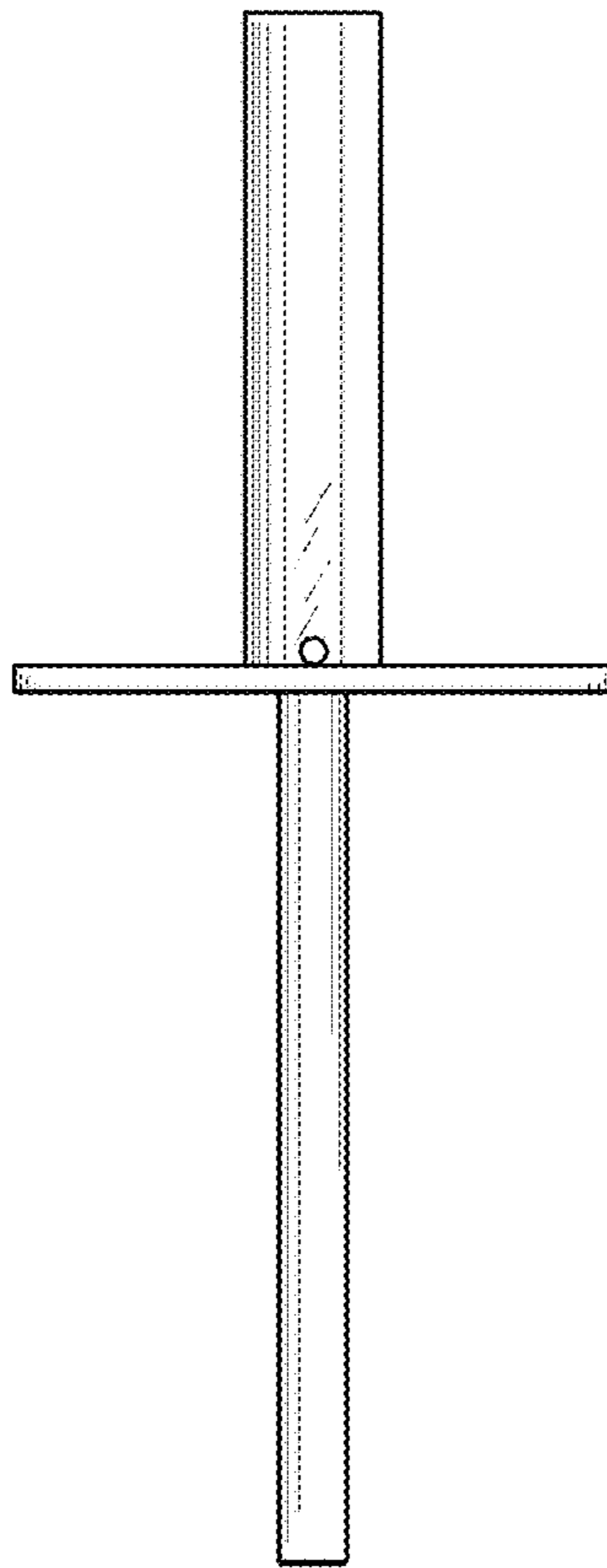


FIG. 11