



US00D858345S

(12) **United States Design Patent** (10) **Patent No.:** **US D858,345 S**  
**Wilson et al.** (45) **Date of Patent:** **\*\* Sep. 3, 2019**

(54) **HYDROPONIC GROWING CONTAINER**

(71) Applicant: **SEQUOIA GARDEN SUPPLY, INC.**,  
Fresno, CA (US)  
(72) Inventors: **Daniel J. Wilson**, Fresno, CA (US);  
**Christian Long**, Fresno, CA (US)  
(73) Assignee: **SEQUOIA GARDEN SUPPLY, INC.**,  
Fresno, CA (US)  
(\*\*) Term: **15 Years**

(21) Appl. No.: **29/634,036**  
(22) Filed: **Jan. 18, 2018**  
(51) **LOC (12) Cl.** ..... **11-02**  
(52) **U.S. Cl.**  
USPC ..... **D11/155**  
(58) **Field of Classification Search**  
USPC ..... D3/304, 313; D6/405-408, 556-558,  
D6/675, 675.1, 691; D9/428, 549;  
D11/143-156, 164  
CPC . A01G 9/00; A01G 9/02; A01G 9/021; A01G  
9/022; A01G 9/029; A01G 9/0293; A01G  
9/042; A47G 7/00; A47G 7/02; A47G  
7/06; A47G 7/08  
See application file for complete search history.

(56) **References Cited**

**U.S. PATENT DOCUMENTS**

2,062,755 A 12/1936 Lyons  
2,072,185 A 3/1937 Schein  
2,198,150 A 4/1940 Barnhart  
2,674,828 A 4/1954 Tegner  
(Continued)

**FOREIGN PATENT DOCUMENTS**

DE 3838160 A1 5/1990  
EP 605749 A1 7/1994  
(Continued)

**OTHER PUBLICATIONS**

Hofmann, G., Device for plant keeping, in particular for cultivated plants, English Abstract of German Patent Publication DE3838160, dated May 17, 1990, European Patent Organization, <http://www.epo.org/searching/free/espacenet.html>.  
(Continued)

*Primary Examiner* — Elizabeth A. Albert  
(74) *Attorney, Agent, or Firm* — William K. Nelson;  
Mark D. Miller; Jared Christensen

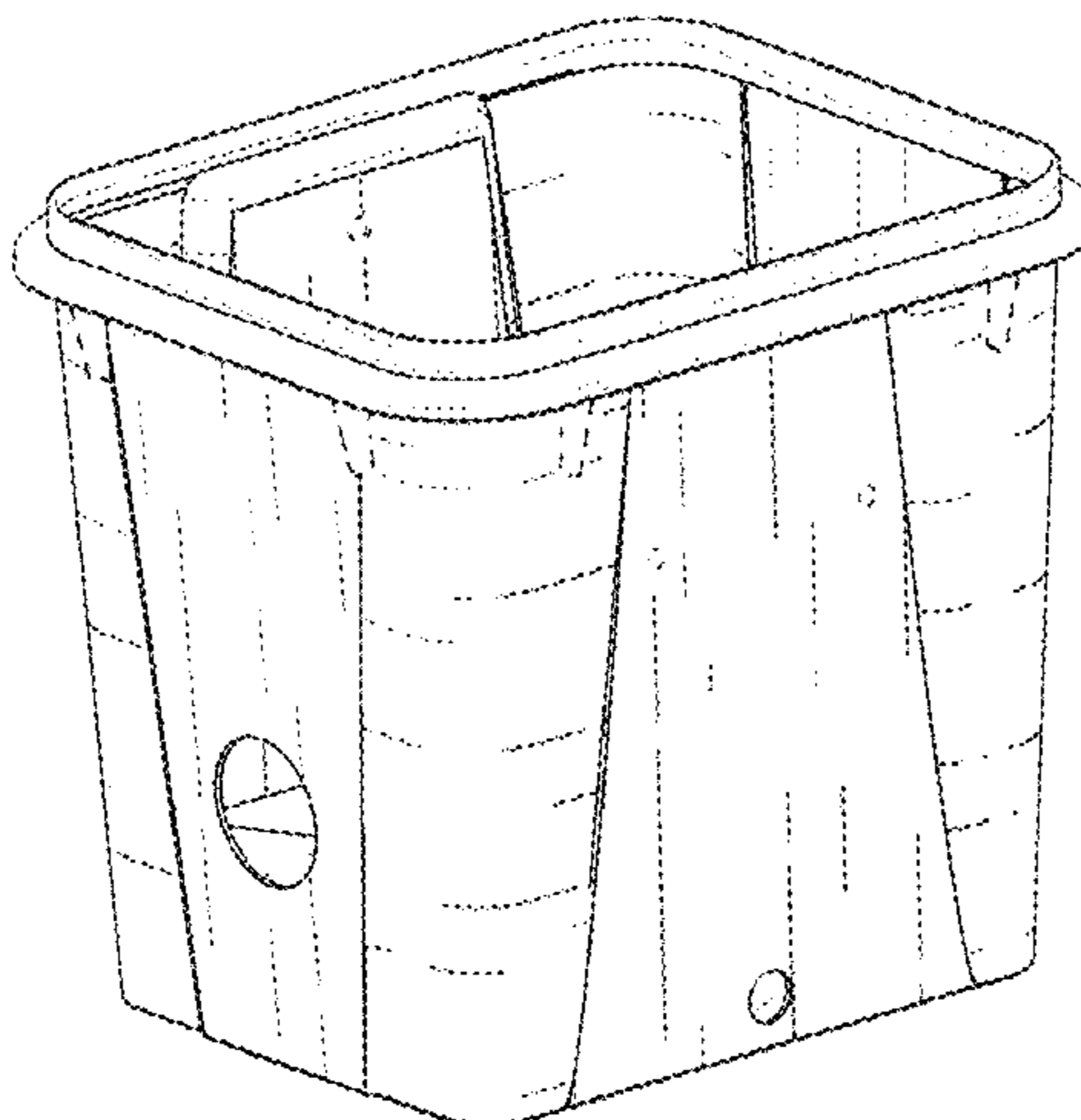
(57) **CLAIM**

We claim the ornamental design for a hydroponic growing container, as shown and described.

**DESCRIPTION**

FIG. 1 is a front perspective view of a first embodiment of the hydroponic growing container showing our new design; FIG. 2 is a front elevation view of FIG. 1; FIG. 3 is a first side elevation view of FIG. 1; FIG. 4 is a second side elevation view of FIG. 1; FIG. 5 is a back elevation view of FIG. 1; FIG. 6 is a top plan view of FIG. 1; FIG. 7 is a bottom plan view of FIG. 1; FIG. 8 is another perspective view of FIG. 1; FIG. 9 is perspective view of a second embodiment of the hydroponic growing container of FIG. 1; FIG. 10 is a front elevation view of FIG. 9; FIG. 11 is a first side elevation view of FIG. 9; FIG. 12 is a second side elevation view of FIG. 9; FIG. 13 is a back elevation view of FIG. 9; FIG. 14 is a top plan view of FIG. 9; FIG. 15 is a bottom plan view of FIG. 9; and, FIG. 16 is another perspective view of FIG. 9. The broken lines are included for the purpose of illustrating portions of the hydroponic growing container that form no part of the claimed design.

**1 Claim, 10 Drawing Sheets**



(56)

References Cited

U.S. PATENT DOCUMENTS

D186,194 S \* 9/1959 Beverlin ..... D34/1  
 D186,693 S \* 11/1959 Haghani ..... D34/1  
 D192,454 S \* 3/1962 Ebstein ..... D34/1  
 3,053,011 A 9/1962 Silverman  
 3,250,606 A 5/1966 Murray  
 3,326,410 A \* 6/1967 Asenbauer ..... B65D 21/045  
 206/504  
 3,868,787 A 3/1975 Wong, Jr.  
 3,992,809 A 11/1976 Chew  
 D246,872 S \* 1/1978 White ..... D3/304  
 4,118,891 A 10/1978 Kehl et al.  
 4,177,604 A 12/1979 Friesen  
 4,279,101 A 7/1981 Leroux  
 4,324,069 A 4/1982 Flagg  
 4,332,105 A 6/1982 Nir  
 4,347,687 A 9/1982 Sibbel  
 4,664,347 A \* 5/1987 Brown ..... B65F 1/06  
 206/519  
 4,669,217 A 6/1987 Frazee  
 4,860,490 A 8/1989 Morris et al.  
 4,926,585 A 5/1990 Dreschel  
 5,056,260 A 10/1991 Sutton  
 5,097,627 A 3/1992 Roberts  
 D339,436 S \* 9/1993 Craft, Jr. .... D3/307  
 5,285,595 A 2/1994 Shirato  
 D360,898 S \* 8/1995 Huerto ..... D19/75  
 5,501,037 A 3/1996 Aldokimov et al.  
 5,826,374 A 10/1998 Baca  
 5,876,484 A 3/1999 Raskin et al.  
 5,887,383 A 3/1999 Soeda  
 D441,511 S \* 5/2001 Windle ..... D34/1  
 6,233,870 B1 5/2001 Horibata  
 D448,133 S \* 9/2001 Windle ..... D34/1  
 D521,203 S \* 5/2006 Sofy ..... D34/1  
 D566,365 S \* 4/2008 Wentz ..... D34/1  
 D569,302 S \* 5/2008 Kurtz ..... D11/155  
 D569,303 S \* 5/2008 Kurtz ..... D11/155  
 D604,921 S \* 11/2009 Presnell ..... D3/312  
 7,673,418 B2 3/2010 Wong  
 D625,067 S \* 10/2010 Shannon ..... D34/1  
 D631,391 S \* 1/2011 Aoyama ..... D11/152  
 7,861,459 B2 1/2011 Brooke et al.  
 8,061,546 B2 \* 11/2011 Ramsey ..... B65F 1/062  
 220/495.08

8,312,674 B2 \* 11/2012 Adams ..... A01G 27/04  
 47/66.7  
 D708,016 S \* 7/2014 Carlson ..... D7/602  
 D726,071 S \* 4/2015 Aoyama ..... D11/155  
 D762,387 S \* 8/2016 Green ..... D3/304  
 D794,894 S \* 8/2017 Kopp ..... D34/1  
 2005/0081440 A1 4/2005 Sauvage et al.  
 2008/0229661 A1 9/2008 Brooke et al.  
 2011/0247267 A1 \* 10/2011 Lutzke ..... A01G 9/02  
 47/65.7  
 2018/0242533 A1 \* 8/2018 Quinlan ..... A01G 9/021

FOREIGN PATENT DOCUMENTS

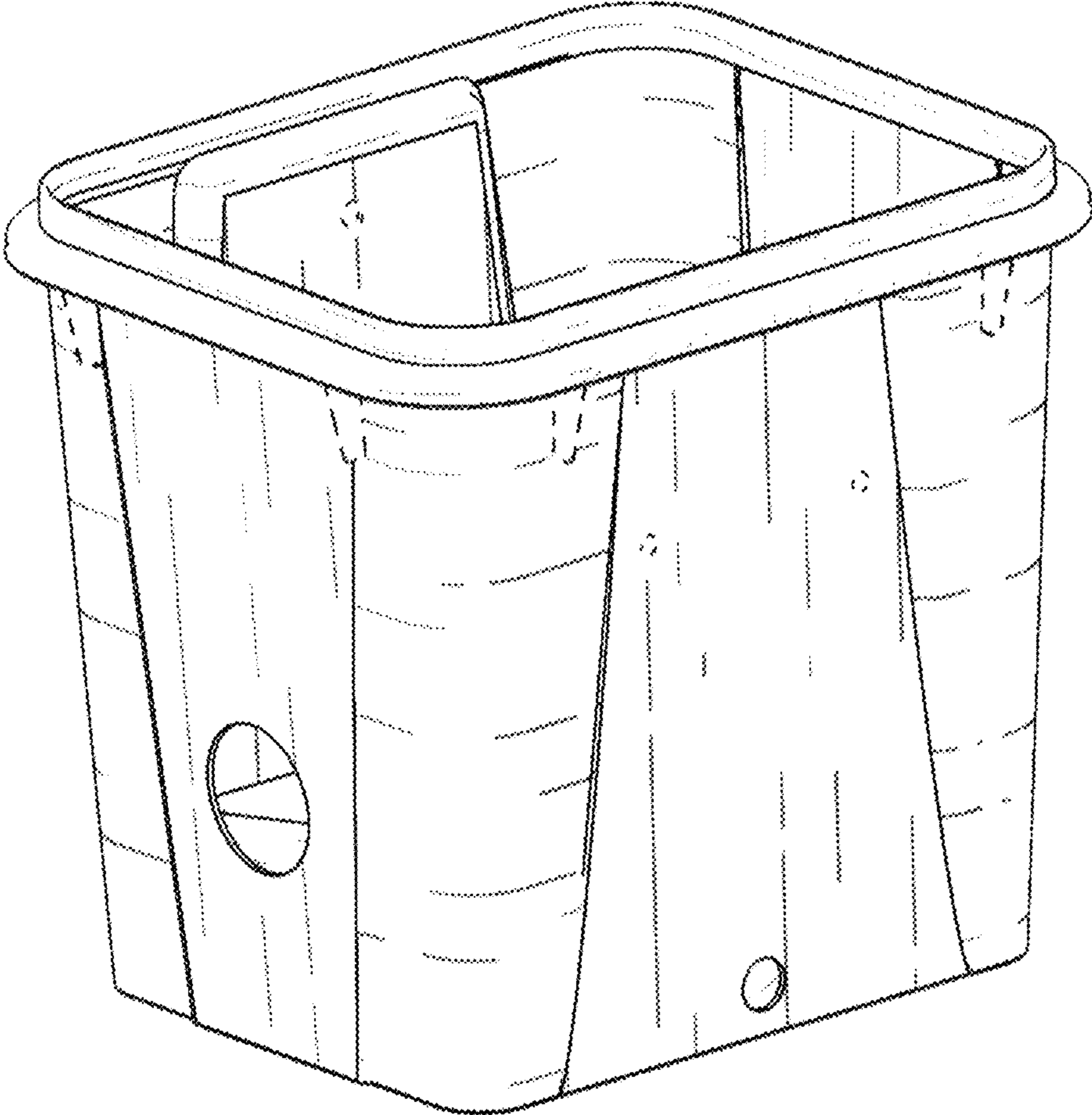
JP 03290123 A 12/1991  
 JP 04200328 A 7/1992  
 JP H0646696 B2 2/1994  
 WO 2008050451 5/2008

OTHER PUBLICATIONS

Okamoto, K., and Inoue, S., Device of waster culture, English Abstract of Japanese Patent Publication JP03290123, dated Dec. 19, 1991, European Patent Organization, <http://www.epo.org/searching/free/espacenet.html>.  
 Ogawa, S., Apparatus for water culture, English Abstract of Japanese Patent Publication JP04200328, dated Jul. 21, 1992, European Patent Organization, <http://www.epo.org/searching/free/espacenet.html>.  
 Aldokimov, I.V. et al., Process for hydroponic culture of plants and device for carrying out said process, English Abstract of European Patent Publication EP605749, dated Jul. 13, 1994, European Patent Organization, <http://www.epo.org/searching/free/espacenet.html>.  
 Takashi, Y., Plant Culturing Process and Apparatuses Therefor, English Abstract of Japanese Patent Publication JPH0646696, dated Feb. 22, 1994, European Patent Organization, <http://www.epo.org/searching/free/espacenet.html>.  
 Machine translation of JPH0646696, provided by US Patent and Trademark Office in connection with U.S. Appl. No. 11/986,404, filed Aug. 9, 2013.  
 Hirano et al., Method of Cultivating Wasabi and System for Cultivating Wasabi, English Abstract of International Patent Publication WO2008050451, dated May 2, 2008—Provide by USPTO Jul. 2, 2015.

\* cited by examiner

FIG. 1



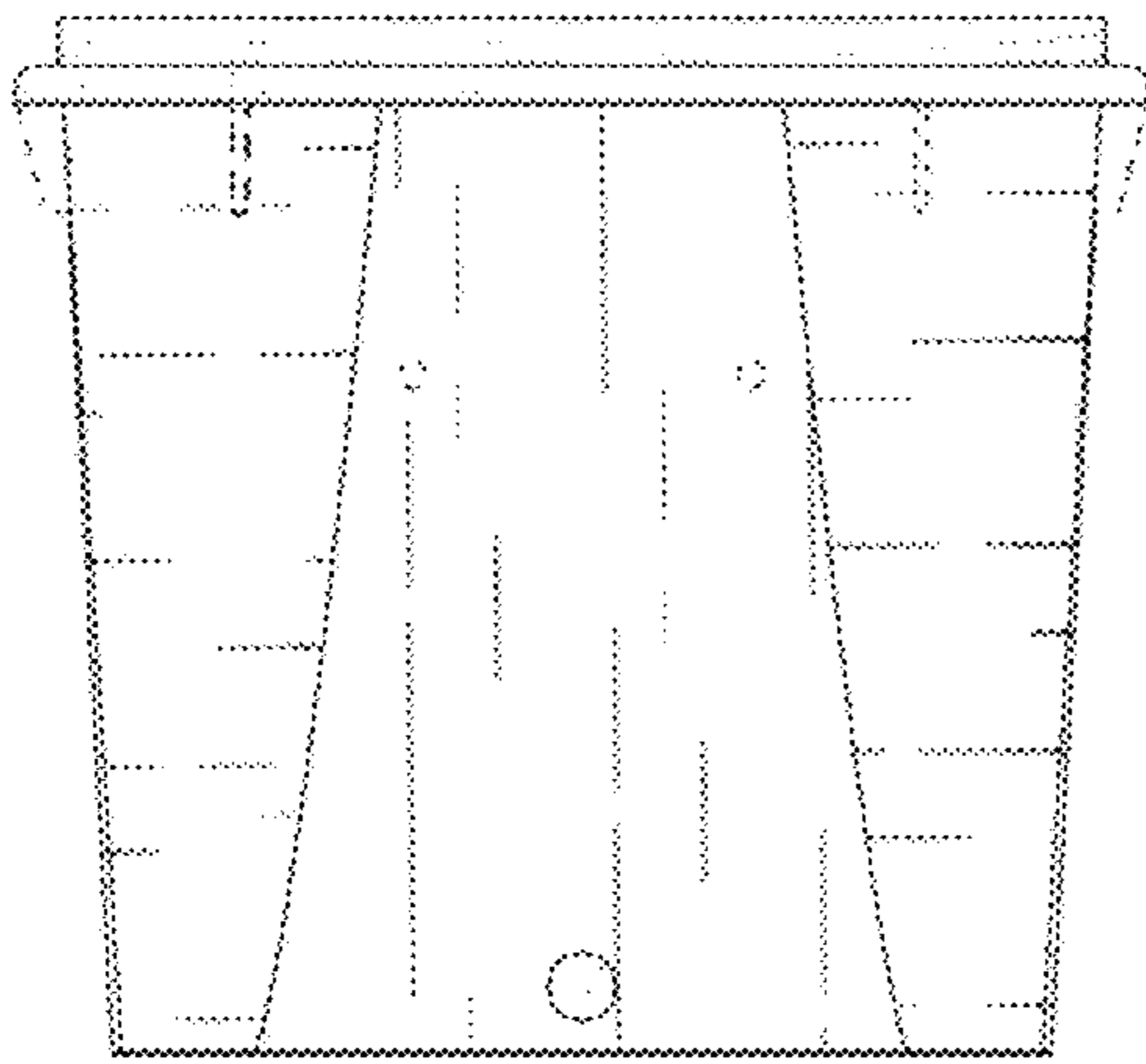


FIG. 2

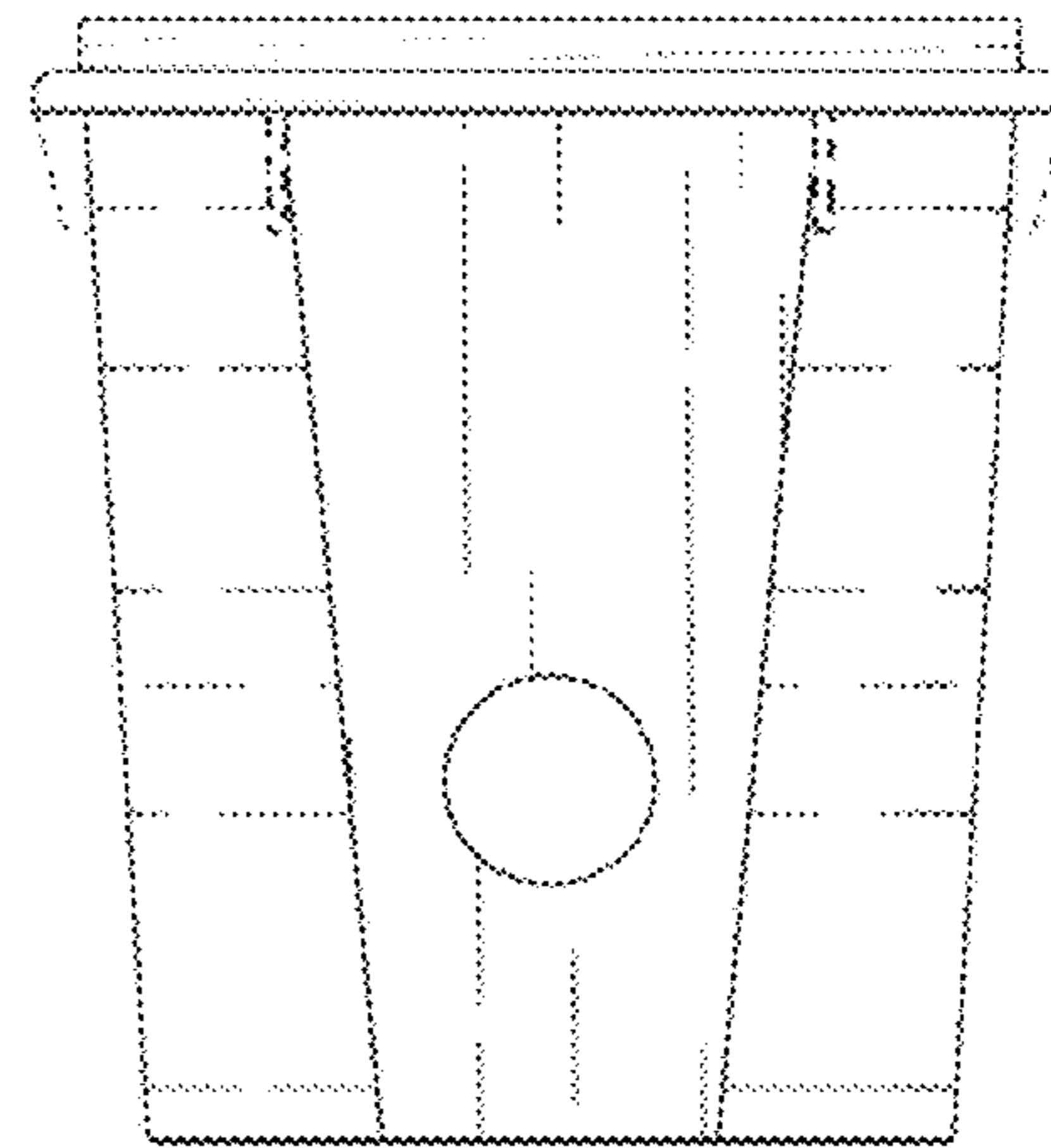


FIG. 3

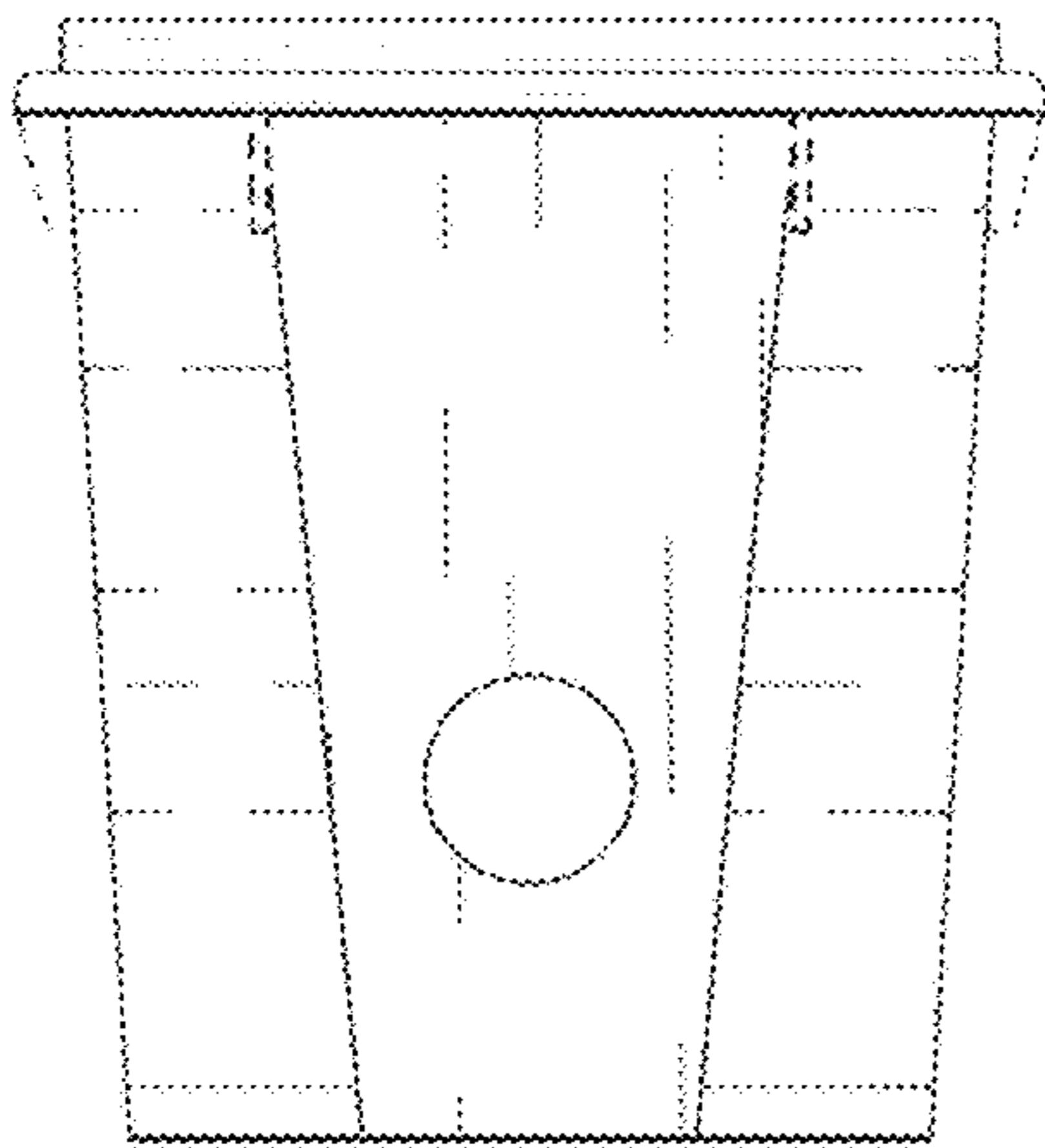


FIG. 4

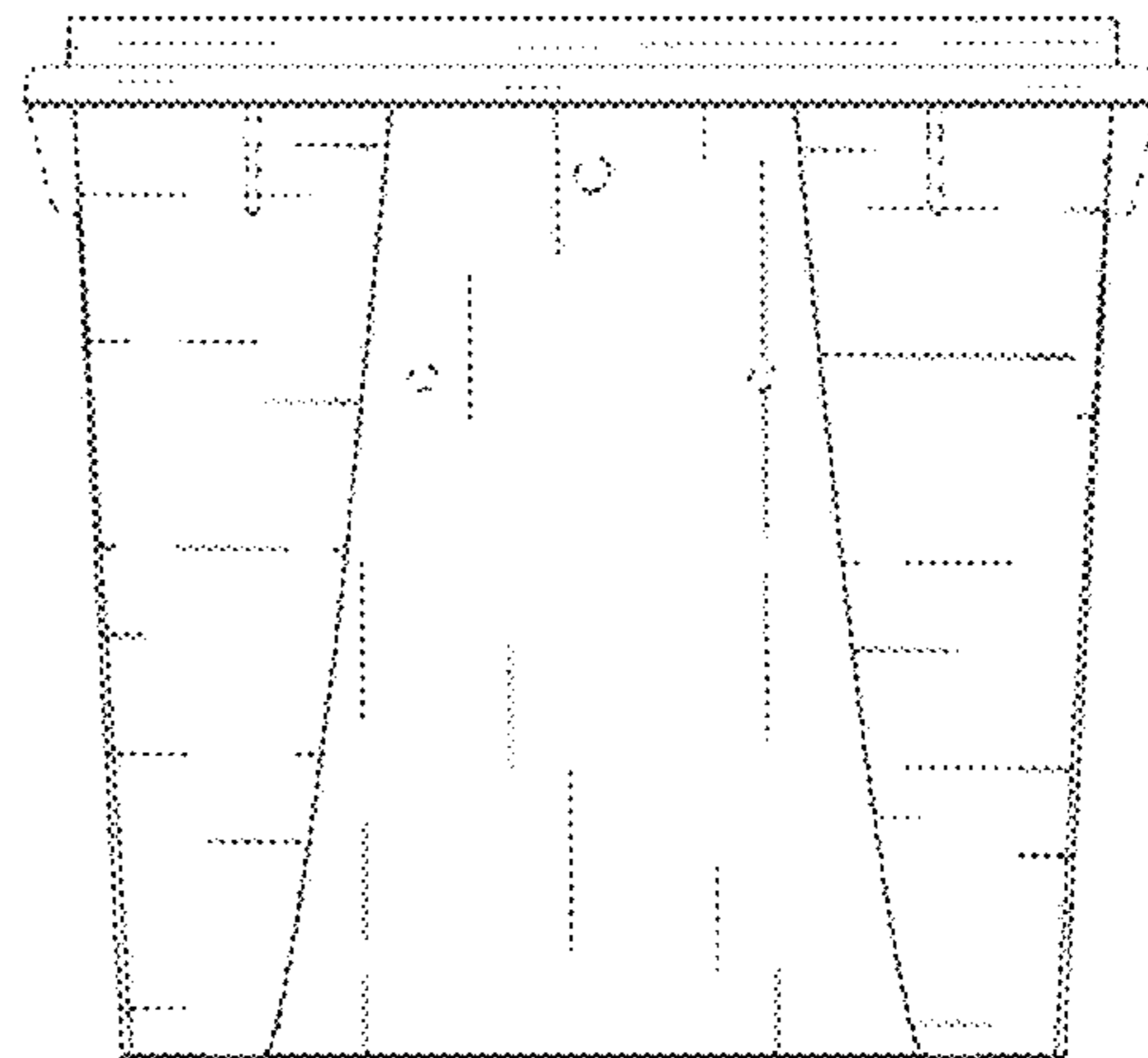


FIG. 5

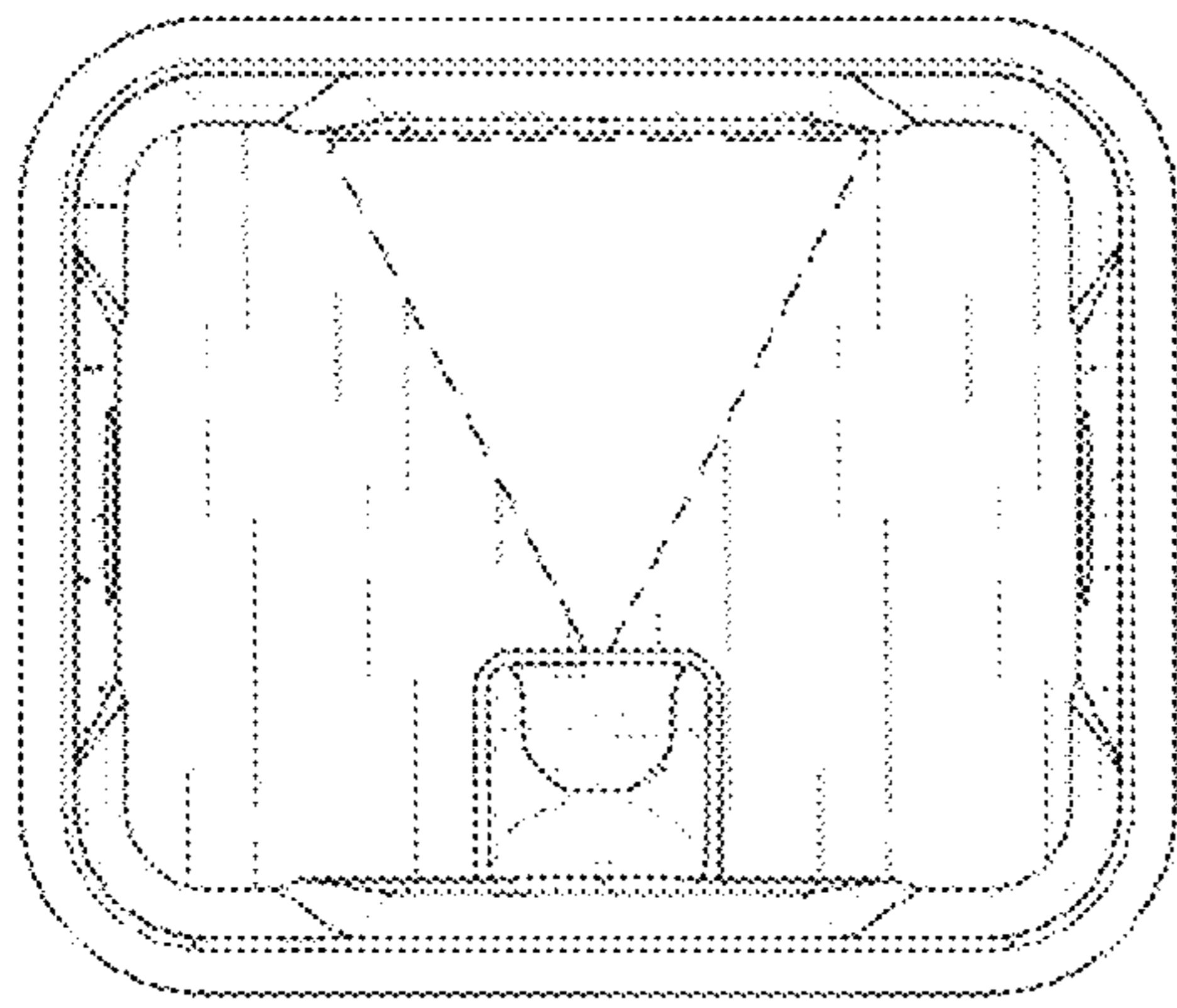


FIG. 6

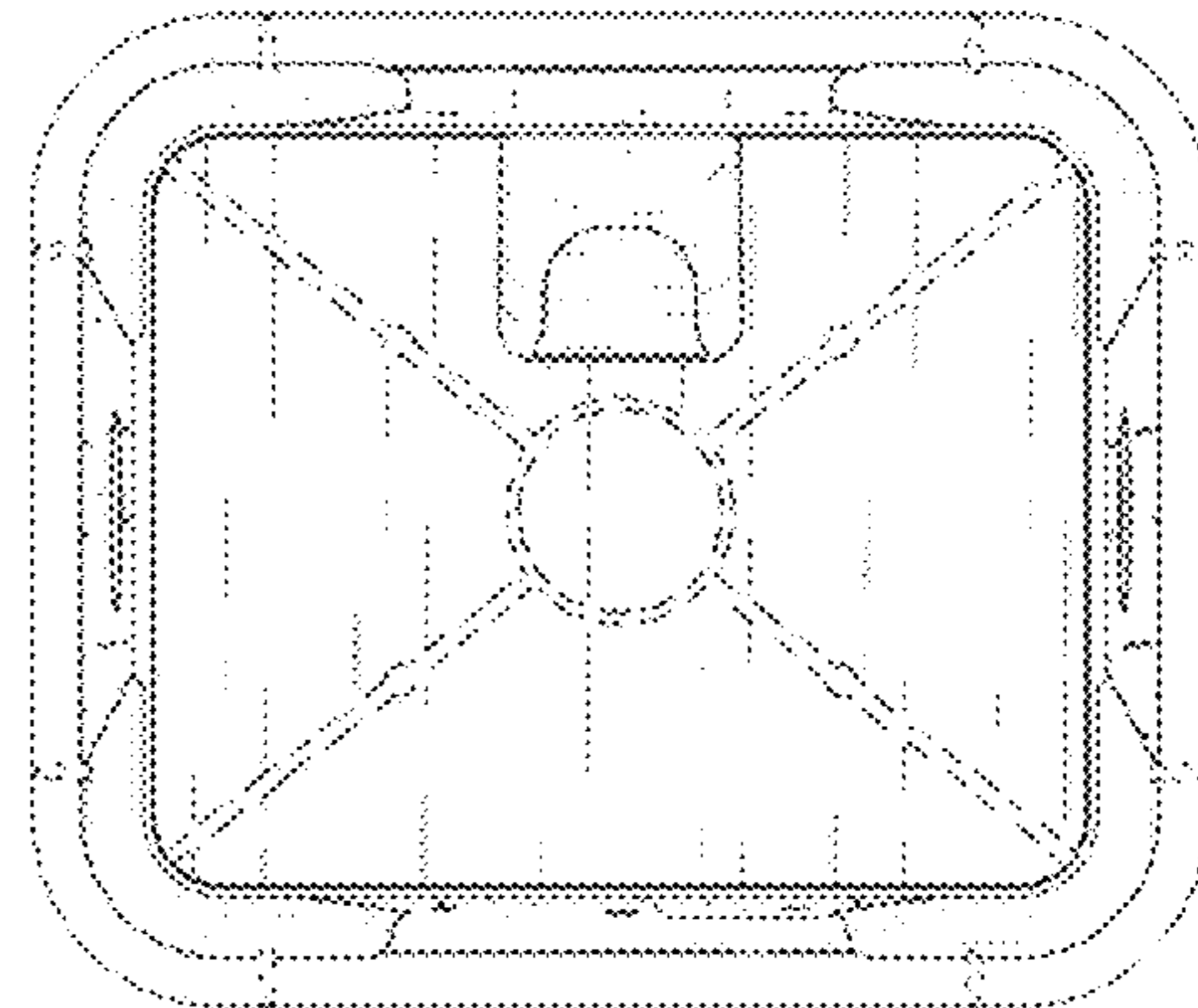


FIG. 7

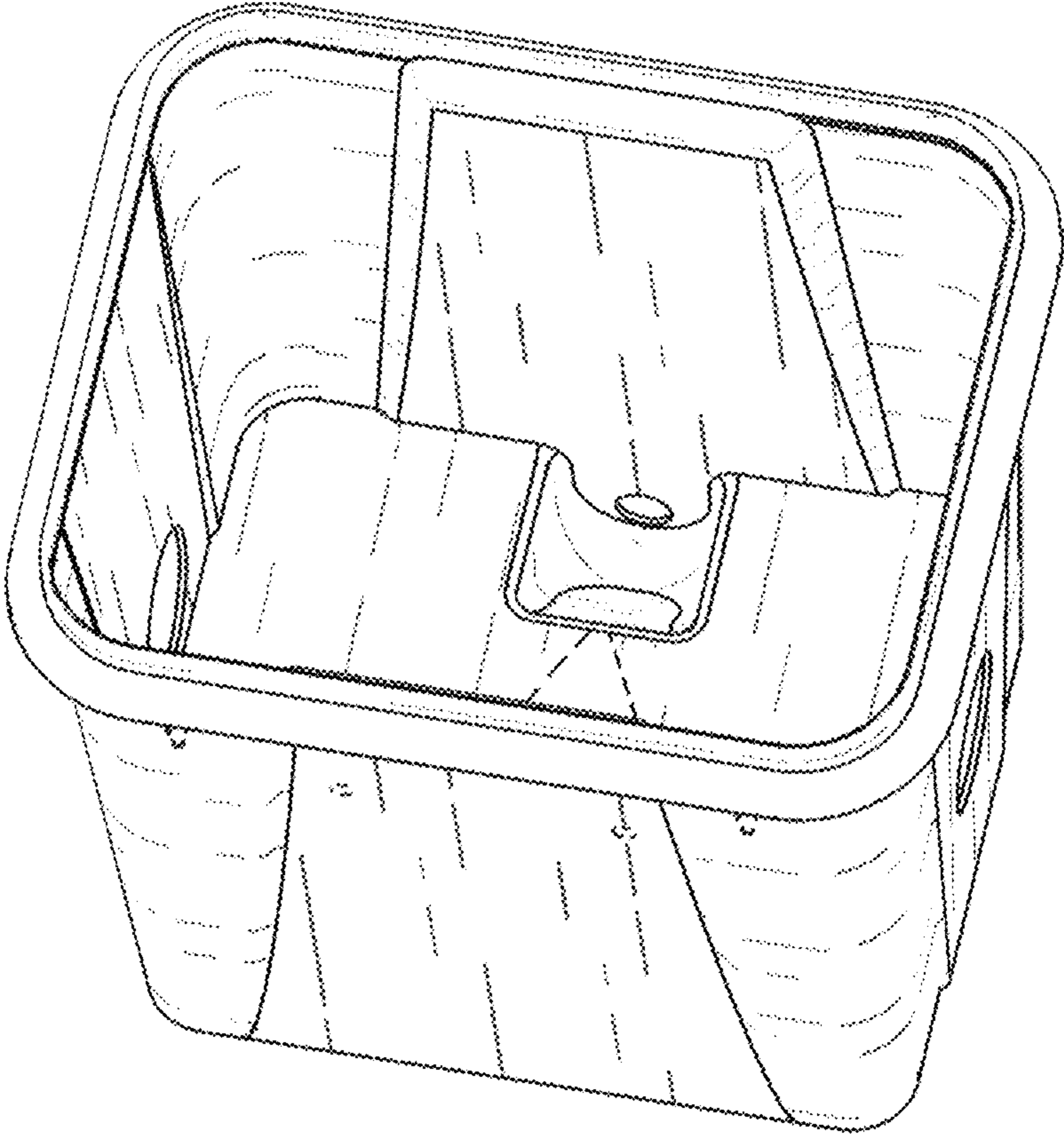


FIG. 8

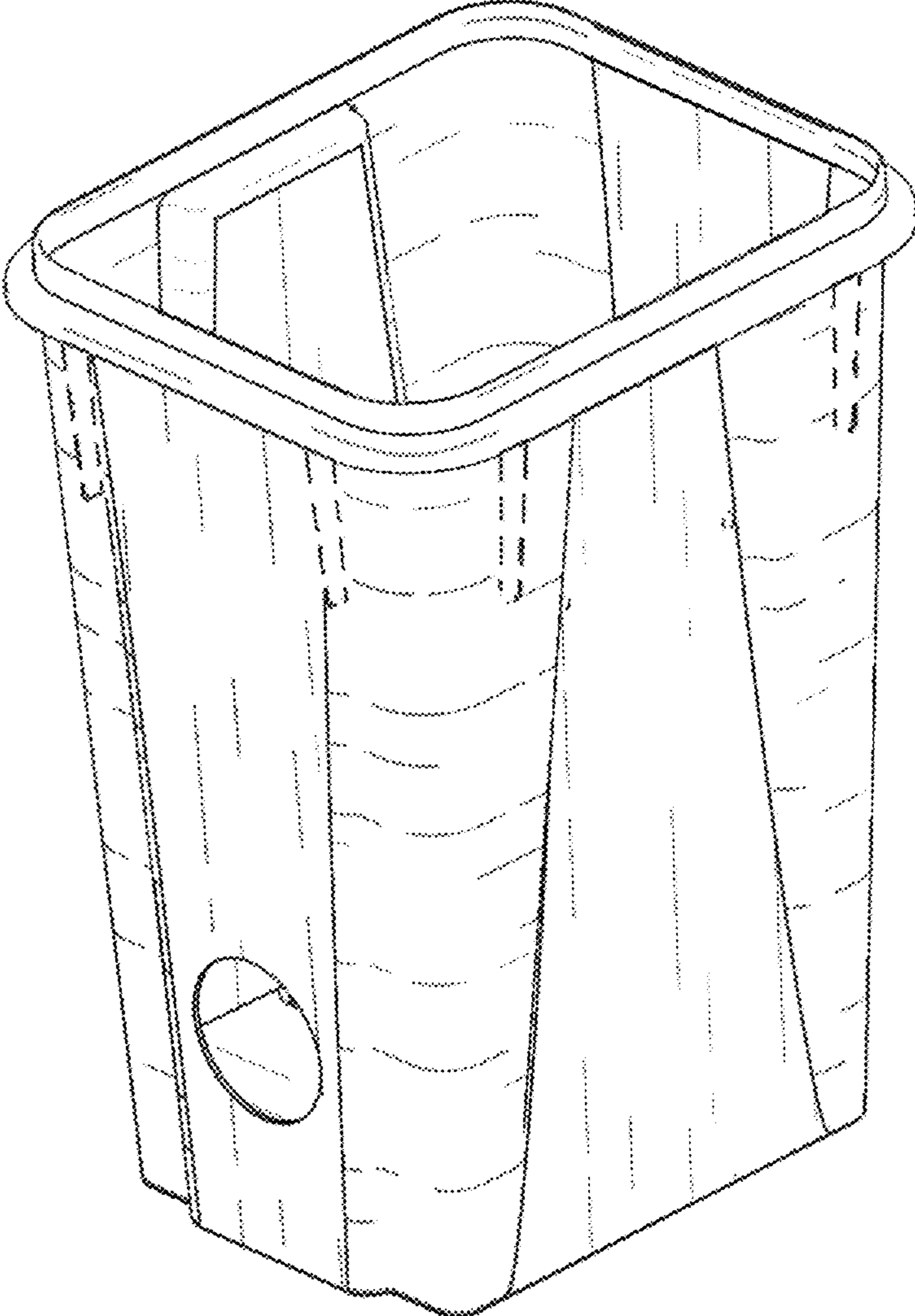


FIG. 9



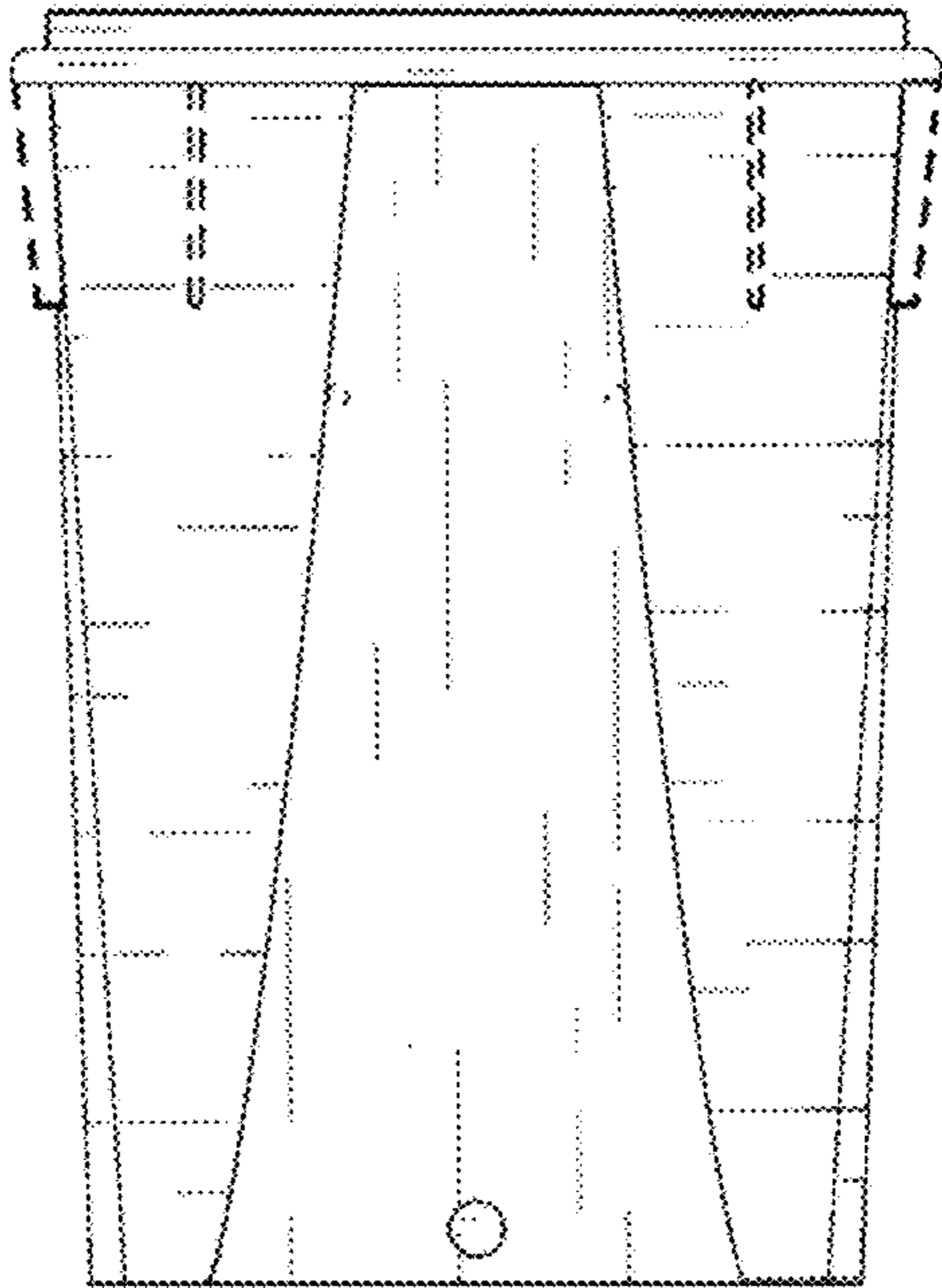


FIG. 10

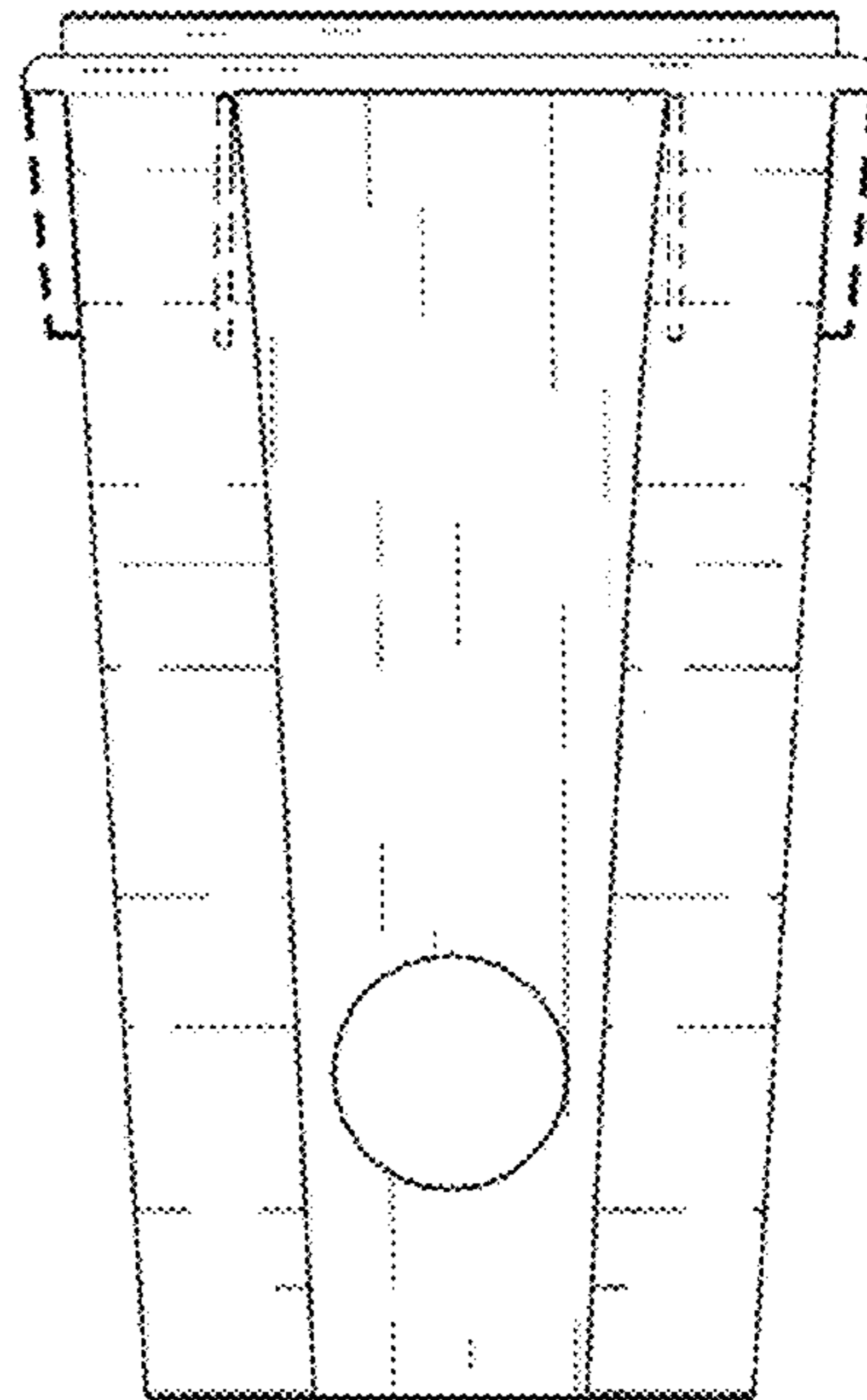


FIG. 11

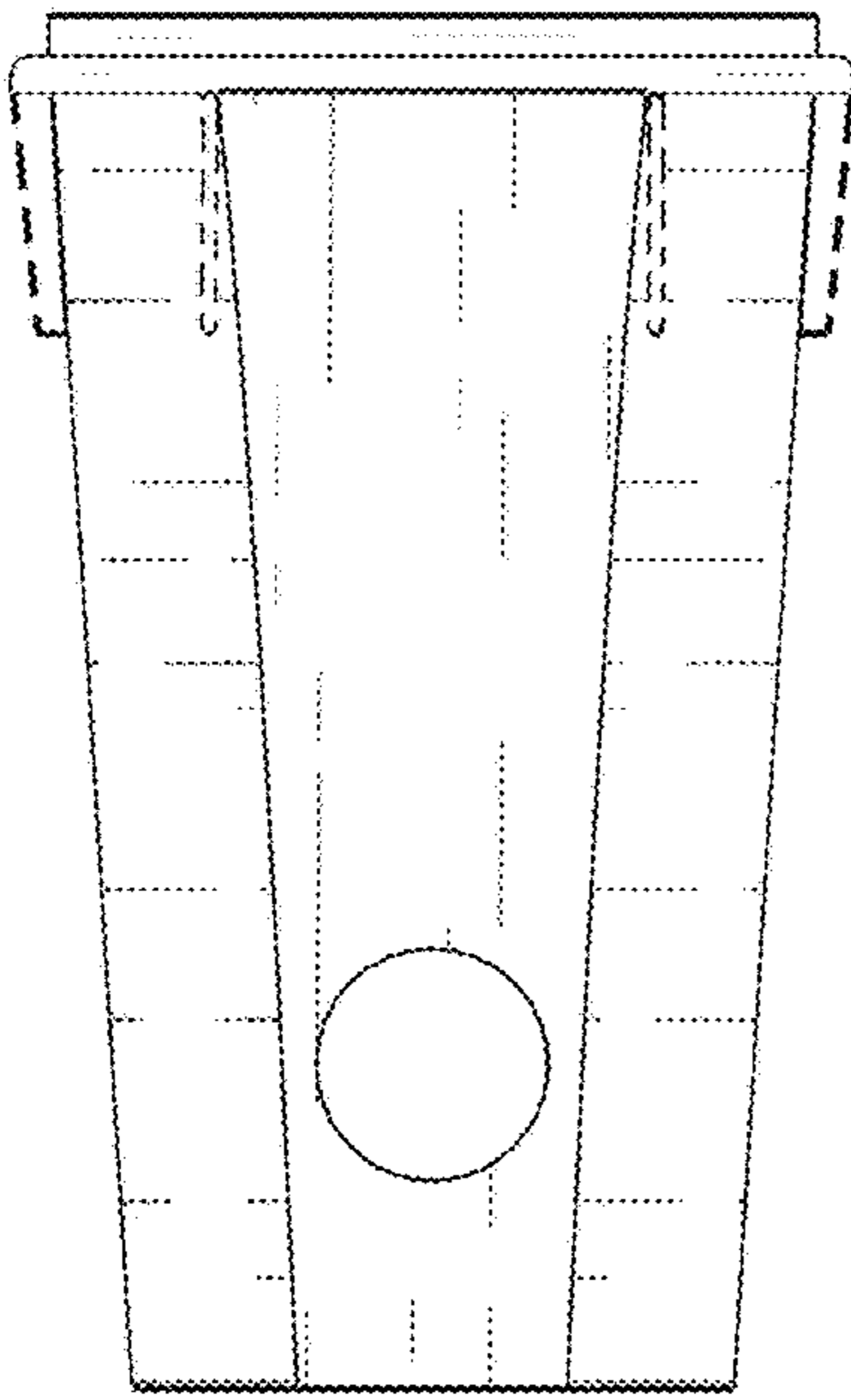


FIG. 12

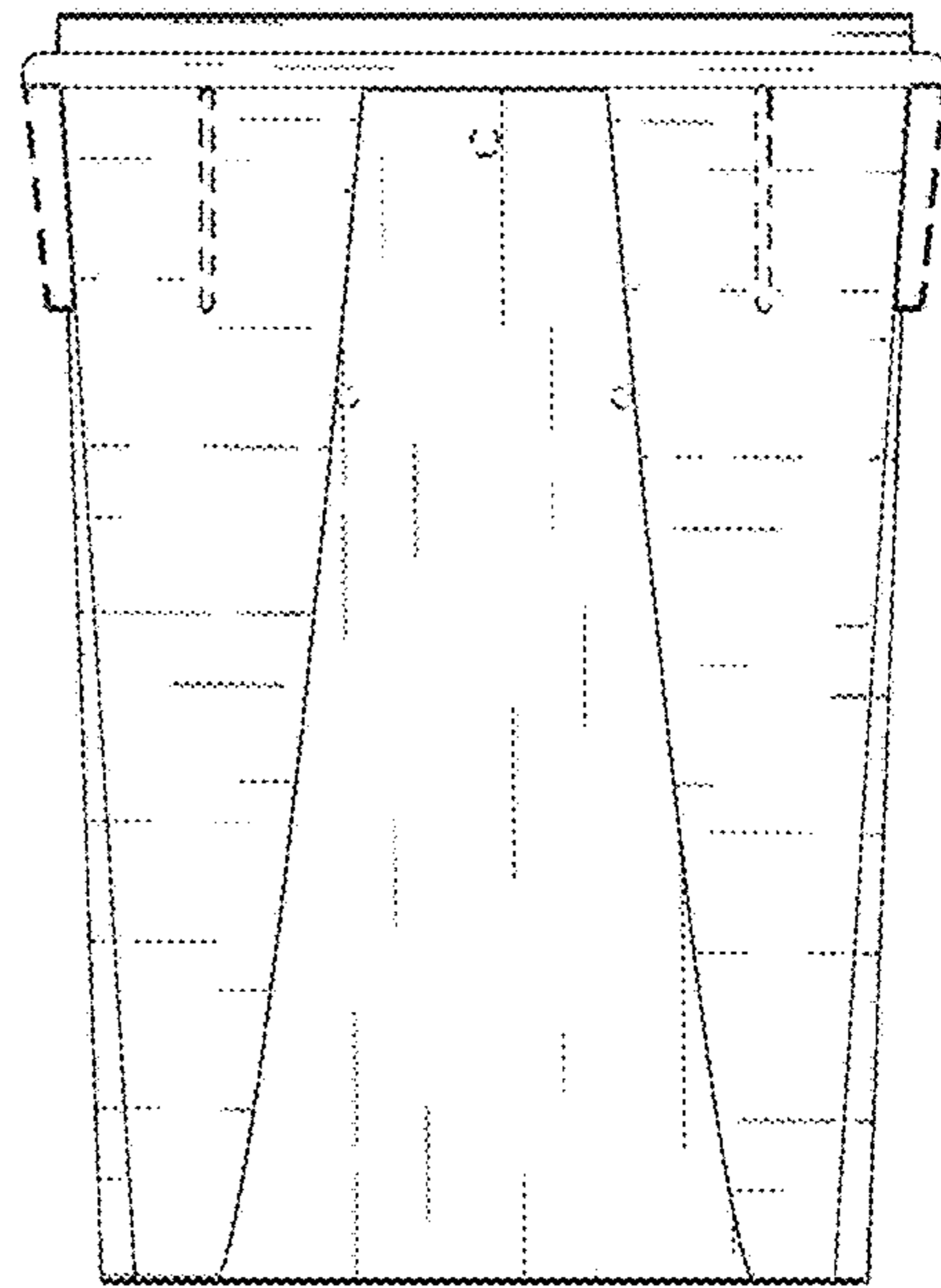


FIG. 13

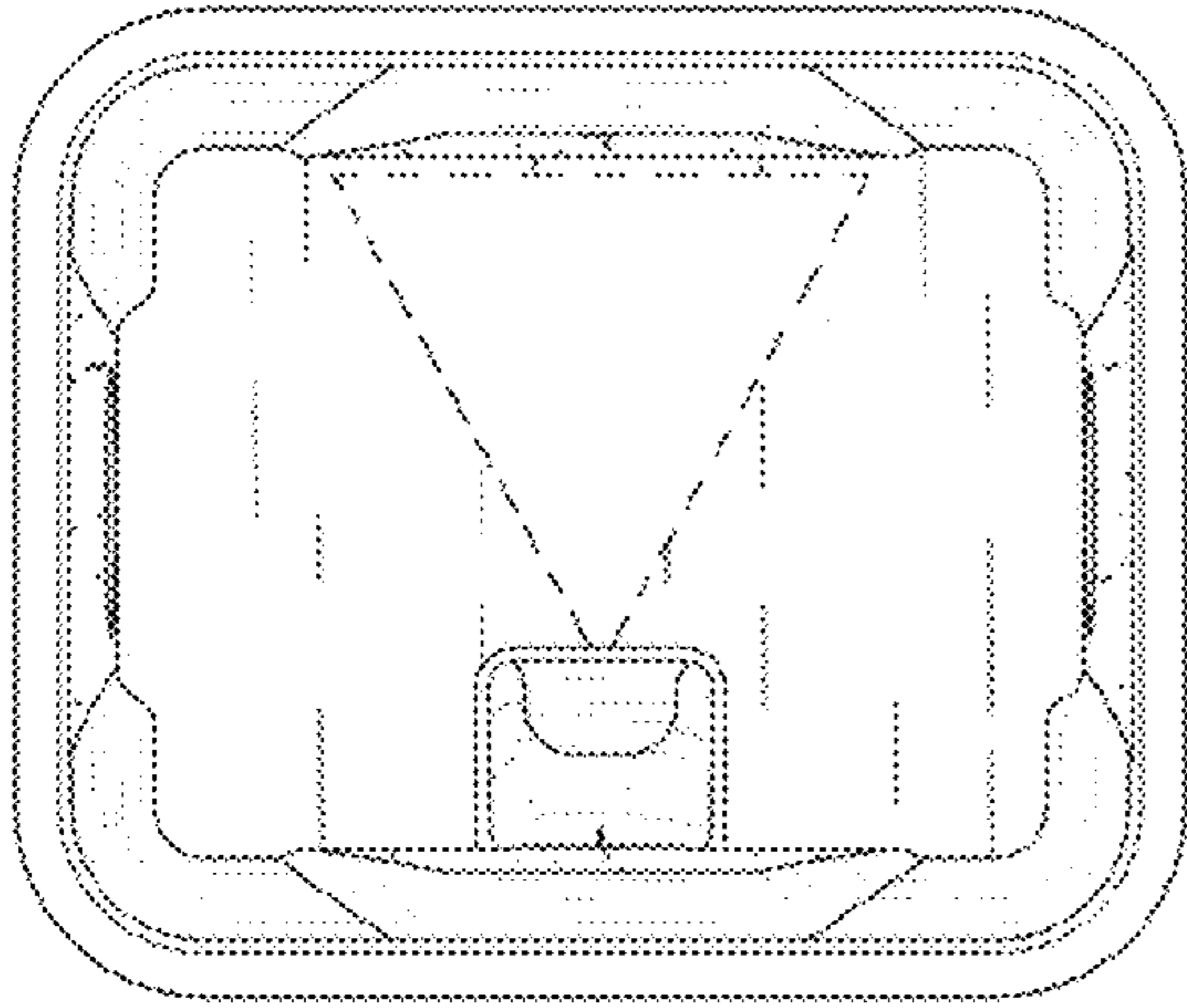


FIG. 14

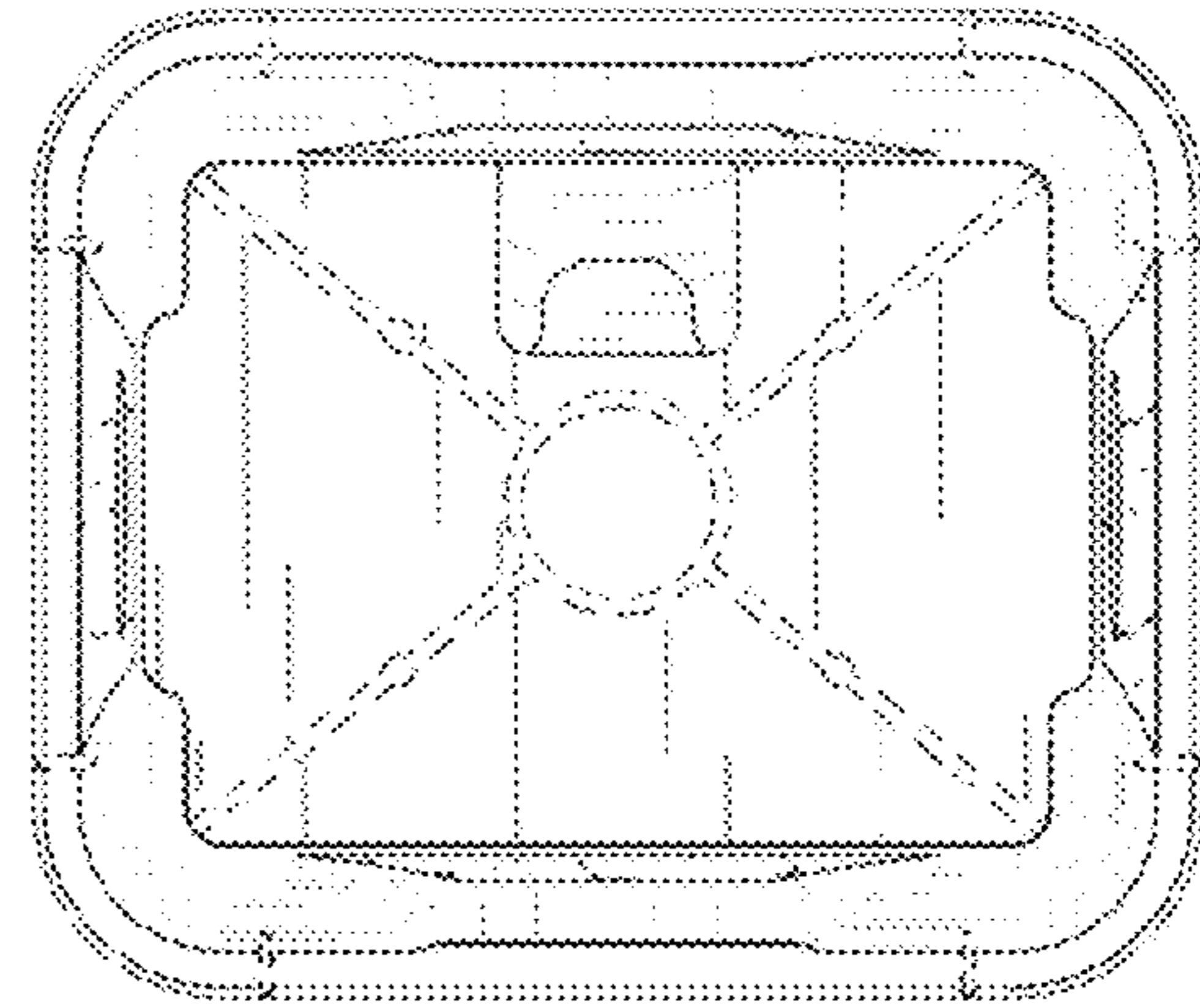


FIG. 15

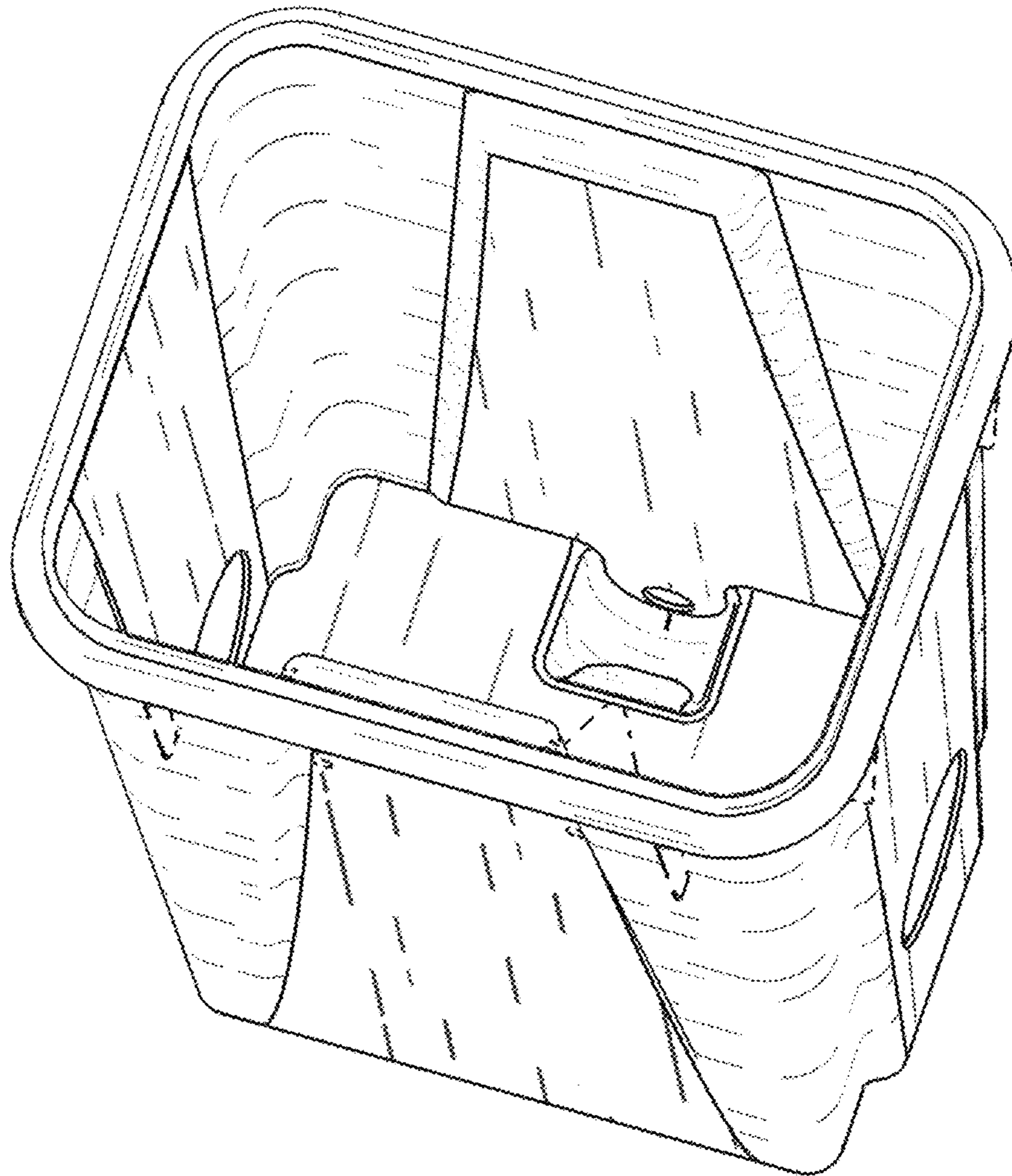


FIG. 16