



US00D858344S

(12) **United States Design Patent** (10) **Patent No.:** **US D858,344 S**
Hendrick et al. (45) **Date of Patent:** **** Sep. 3, 2019**

- (54) **HIDROPONIC TOWER** D183,335 S * 8/1958 Weckesser D9/502
3,135,389 A * 6/1964 Farley A47F 7/08
211/115
- (71) Applicants: **Gregory Hendrick**, Wenatchee, WA D230,230 S * 2/1974 Crowe D11/152
(US); **Ivo Wieling**, Rotterdam (NL) D254,194 S * 2/1980 Smith D11/152
5,404,836 A 4/1995 Milewski
- (72) Inventors: **Gregory Hendrick**, Wenatchee, WA 5,440,836 A 8/1995 Lee
(US); **Ivo Wieling**, Rotterdam (NL) 5,502,923 A 4/1996 Bradshaw
D426,789 S * 6/2000 Joergensen D11/149
- (73) Assignee: **HydroPlenti LLC**, Wenatchee, WA 6,360,690 B1 * 3/2002 Canby A01K 39/012
(US) 119/429
- (**) Term: **15 Years** 6,612,073 B1 9/2003 Powell et al.
6,684,565 B2 2/2004 Kemp et al.
7,032,538 B1 * 4/2006 Lush A01K 39/012
119/459
- (21) Appl. No.: **29/628,181** D519,840 S * 5/2006 Abadinsky D9/502
7,055,282 B2 * 6/2006 Bryan, III A01G 31/06
47/62 R
- (22) Filed: **Dec. 1, 2017** 7,143,544 B2 12/2006 Roy
- (51) **LOC (12) Cl.** **11-02** 7,185,605 B1 * 3/2007 Lush A01K 5/0225
119/52.1
- (52) **U.S. Cl.**
USPC **D11/152**
- (58) **Field of Classification Search**
USPC D6/403–405, 556–558; D11/143–156,
D11/164; D3/273, 279; D9/414, 424,
D9/432; D34/5, 11
CPC A01G 2009/003; A01G 9/00; A01G 9/02;
A01G 9/021; A01G 9/023; A01G 9/024;
A01G 9/025; A01G 9/029; A01G 9/0291;
A01G 9/0295; A01G 9/033; A01G 9/04;
A01G 9/042; A01G 9/012; A01G 5/04;
A47G 7/00; A47G 7/06; A47G 7/08
See application file for complete search history.

(Continued)

Primary Examiner — Elizabeth A. Albert
(74) *Attorney, Agent, or Firm* — Wells St. John P.S.

(57) **CLAIM**

We claim the ornamental design for a hydroponic tower, as shown and described.

DESCRIPTION

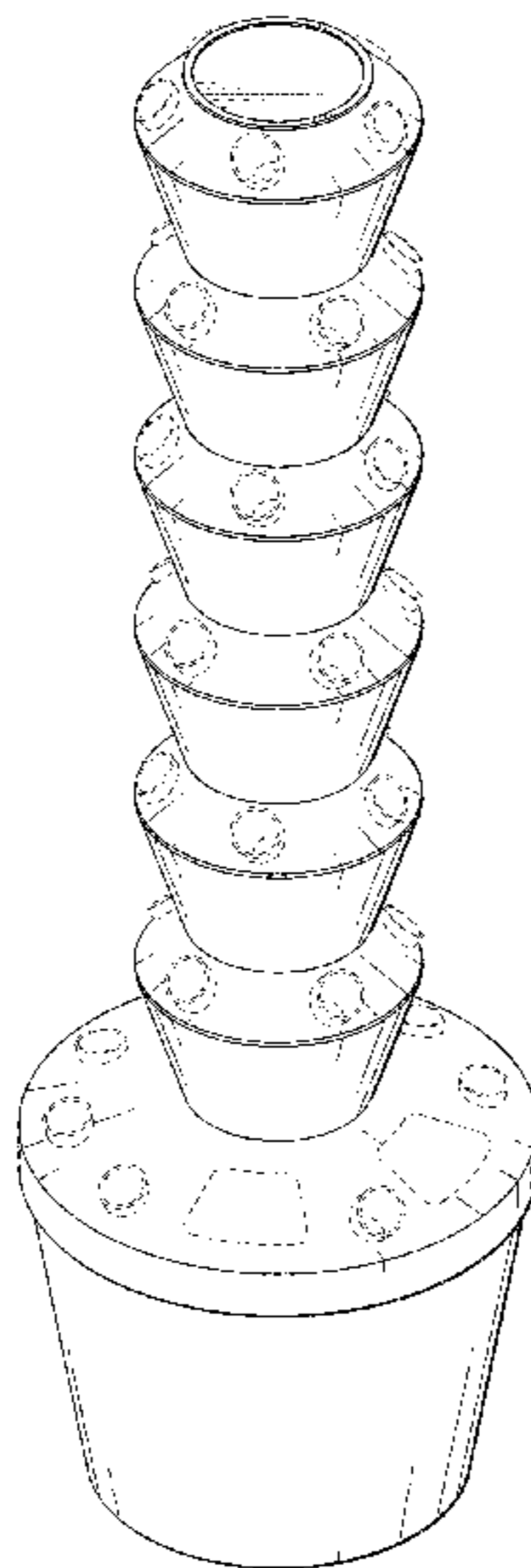
FIG. 1 is a top, left, front perspective view;
FIG. 2 is a right elevational view as shown in FIG. 1;
FIG. 3 is a front elevational view as shown in FIG. 1;
FIG. 4 is a back elevational view as shown in FIG. 1;
FIG. 5 is a left elevational view as shown in FIG. 1;
FIG. 6 is a top plan view as shown in FIG. 1; and,
FIG. 7 is a bottom plan view as shown in FIG. 1.
The broken lines in the figures are included for the purpose of illustrating portions of the hydroponic tower that form no part of the claimed design.

1 Claim, 4 Drawing Sheets

(56) **References Cited**

U.S. PATENT DOCUMENTS

- 165,456 A * 7/1875 Van Stone A47G 7/07
47/41.11
- 262,335 A 8/1882 Wagner
- 910,905 A * 1/1909 Clements A01G 27/04
119/248
- 1,993,631 A * 3/1935 Smith A01G 9/022
47/83



(56)

References Cited

U.S. PATENT DOCUMENTS

7,503,282	B1 *	3/2009	Lush	A01K 5/0225 119/52.2
7,690,151	B2	4/2010	Wilkes	
D631,683	S	2/2011	Ash et al.	
D638,743	S	5/2011	Bouchard et al.	
D653,156	S	1/2012	Phelps et al.	
D658,537	S *	5/2012	Simmons	D11/143
8,225,549	B2 *	7/2012	Simmons	A01G 31/02 47/62 N
8,250,809	B2 *	8/2012	Simmons	A01G 31/02 47/62 N
8,418,403	B1	4/2013	Nuttman	
8,484,890	B2	7/2013	Simmons	
9,032,665	B2	5/2015	Whitney	
D752,478	S	3/2016	Cudmore et al.	
9,445,548	B1 *	9/2016	Hicks	A01G 5/04
9,468,154	B2	10/2016	Carpenter	
9,521,811	B2	12/2016	Peterson et al.	
D785,497	S	5/2017	Storey	
D809,965	S *	2/2018	Linneberg	D11/152

* cited by examiner

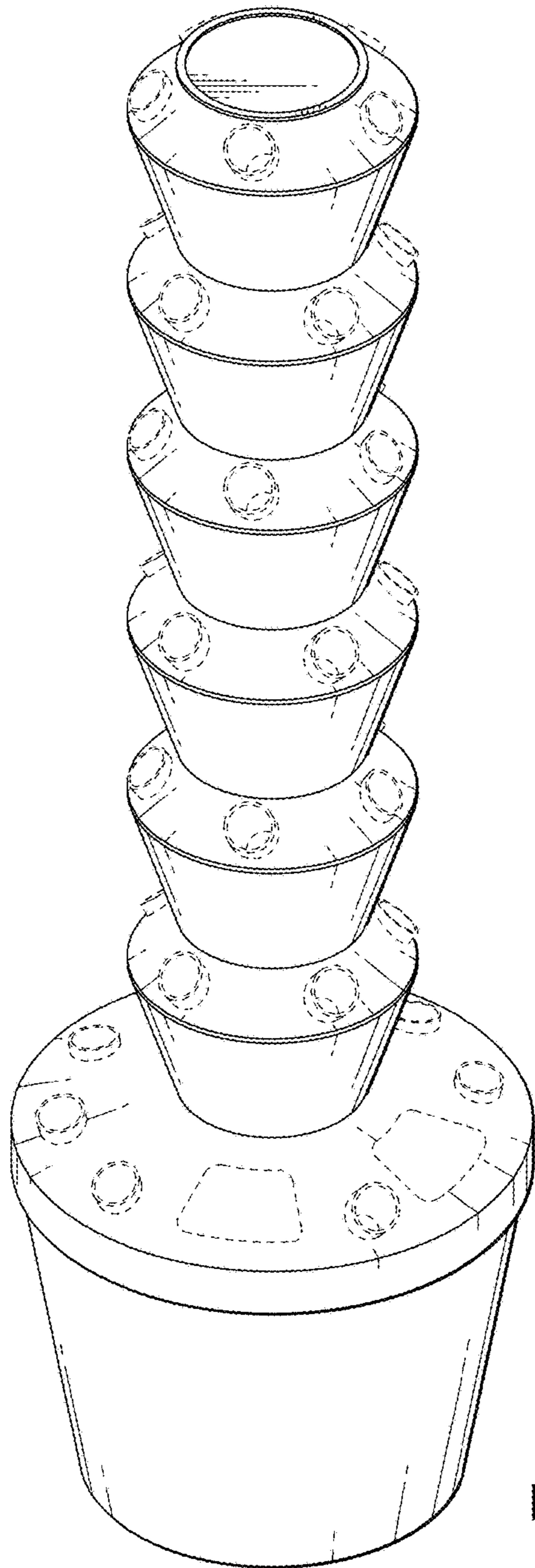


FIG. 1

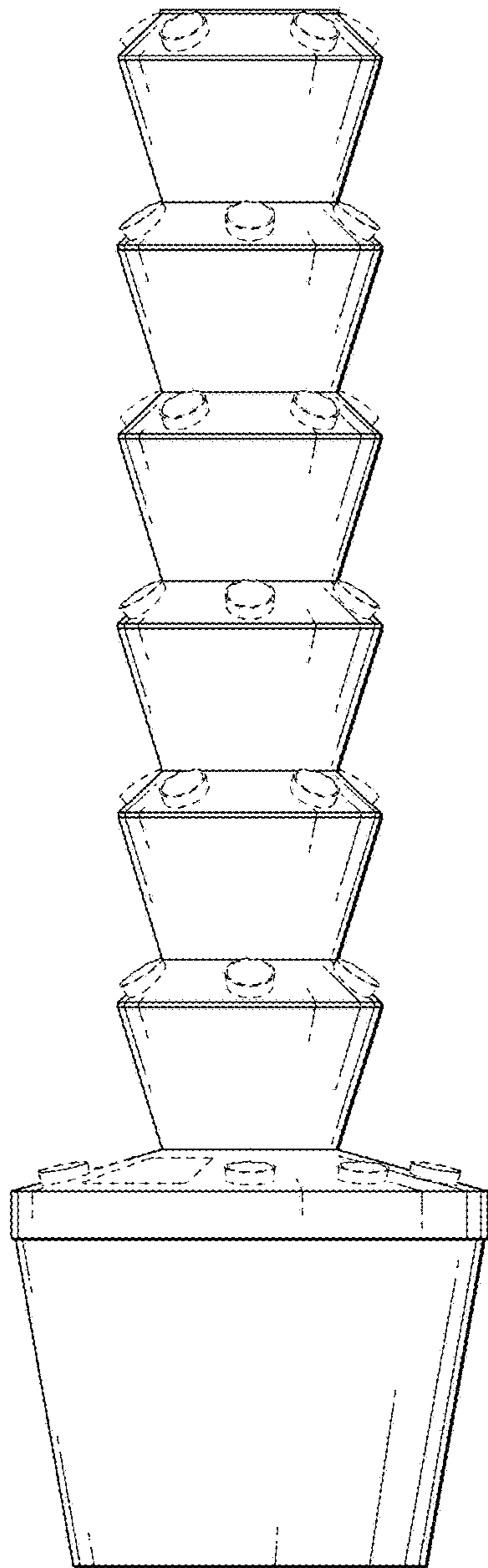


FIG. 2

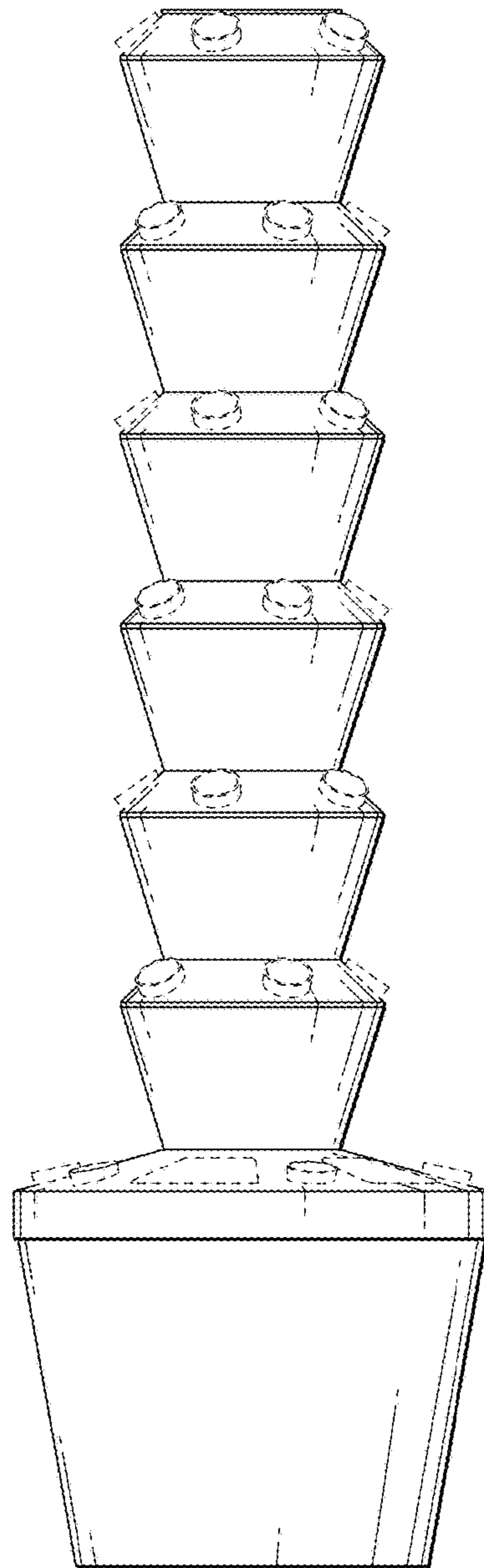


FIG. 3

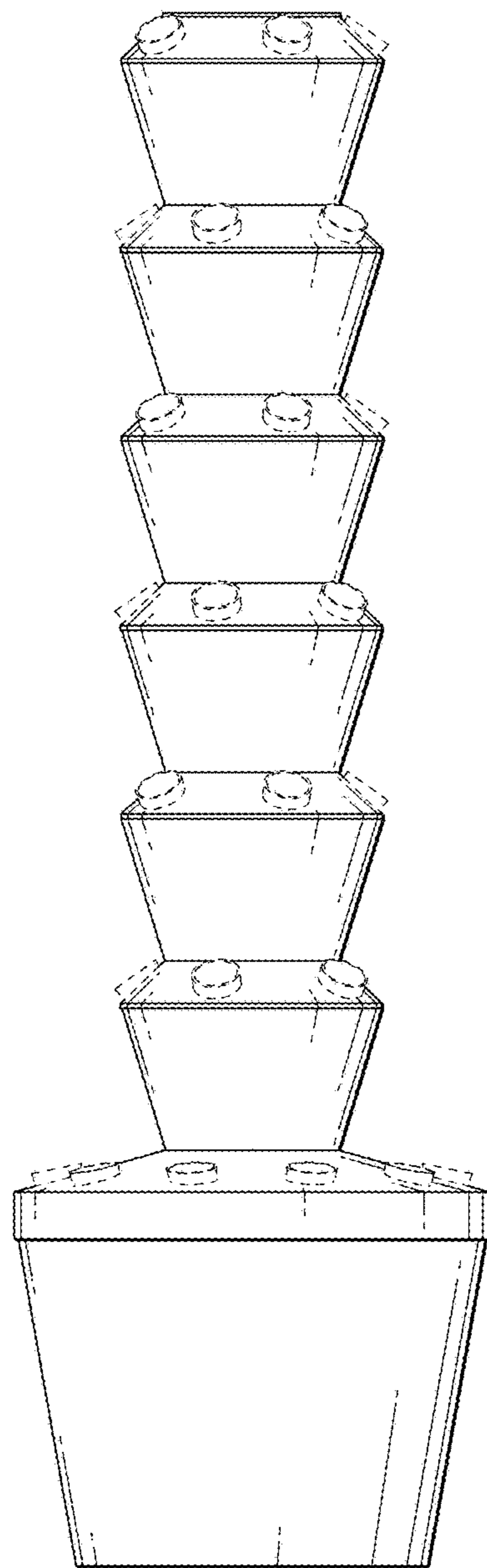


FIG. 4

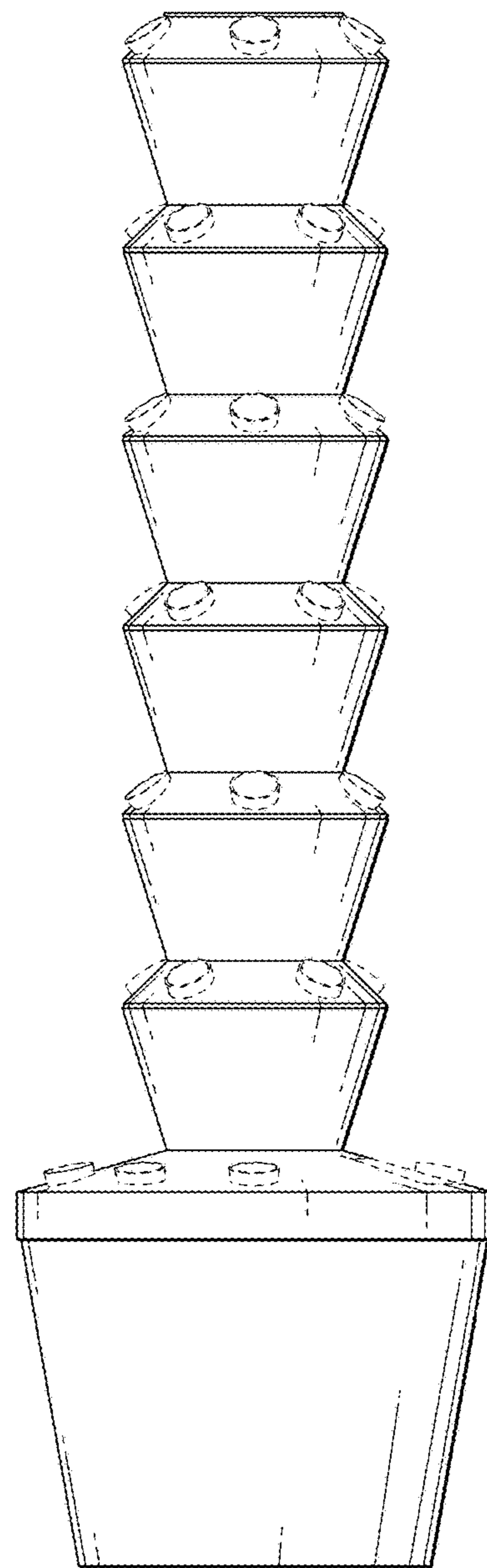


FIG. 5

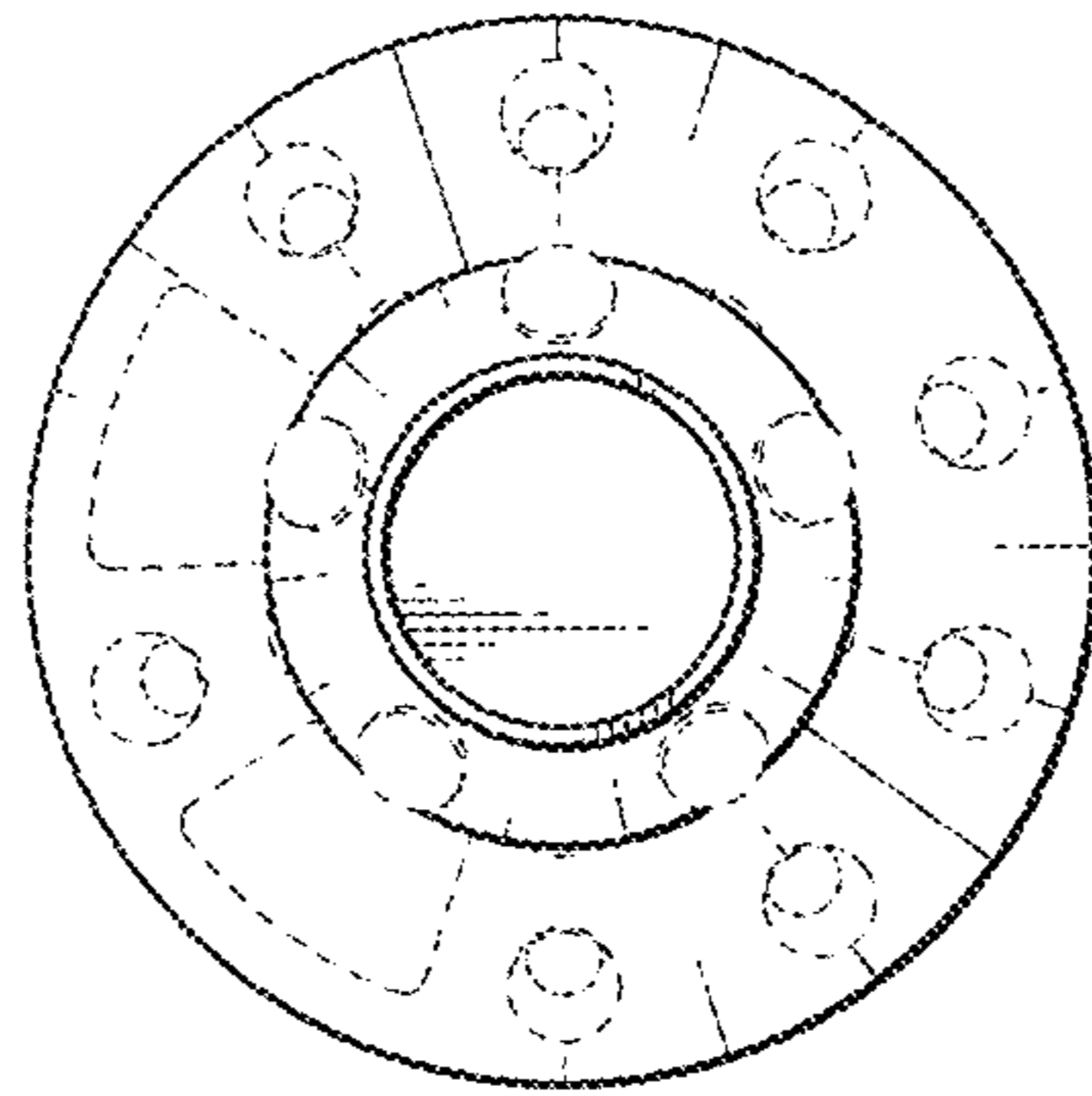


FIG. 6

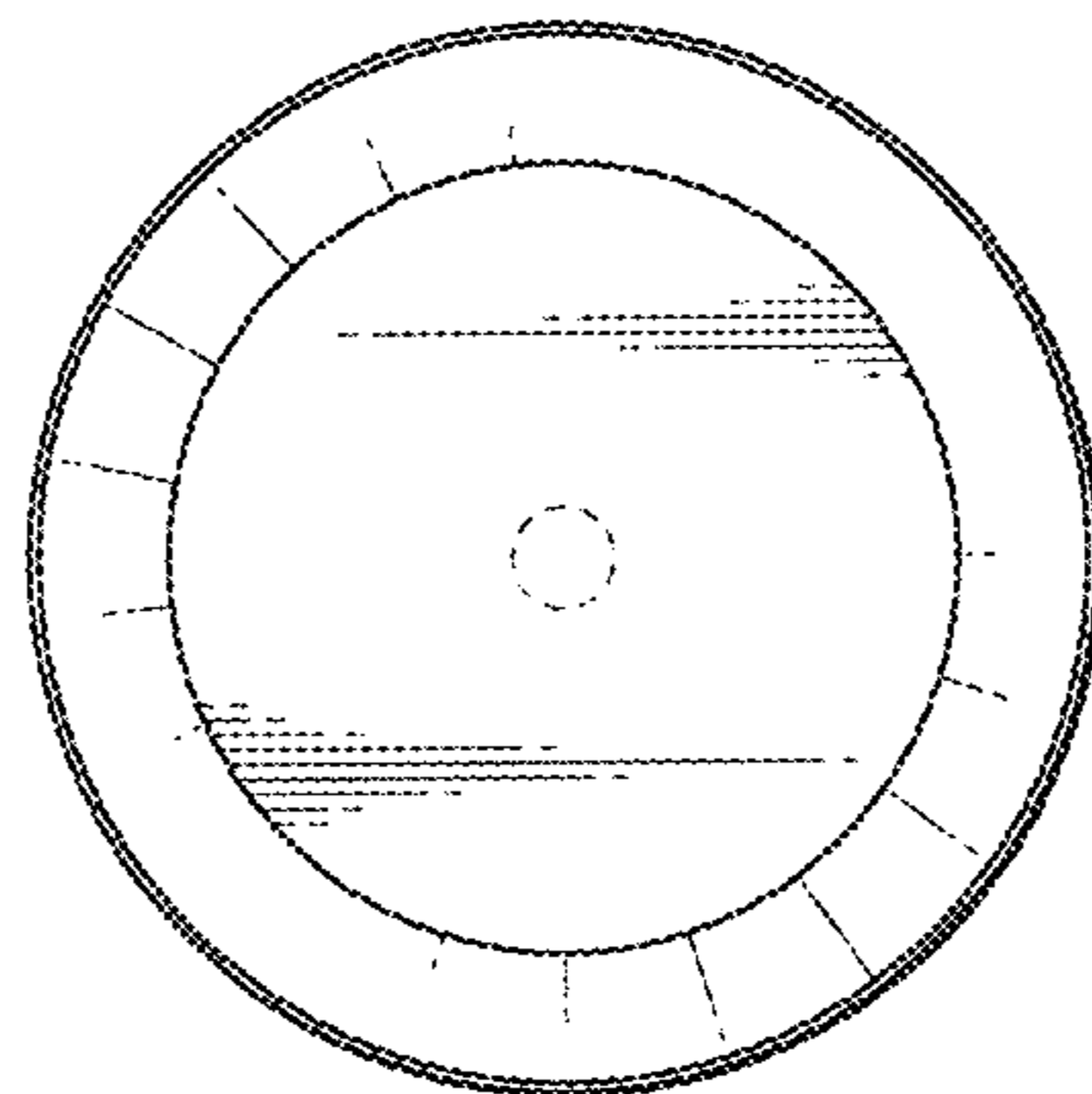


FIG. 7

UNITED STATES PATENT AND TRADEMARK OFFICE
CERTIFICATE OF CORRECTION

PATENT NO. : D858,344 S
APPLICATION NO. : 29/628181
DATED : September 3, 2019
INVENTOR(S) : Gregory Hendrick and Ivo Wieling

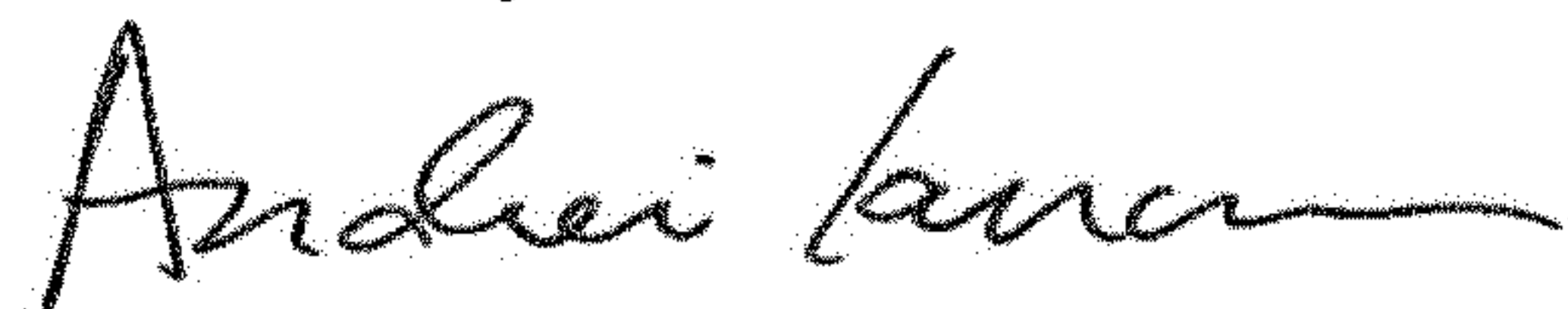
Page 1 of 1

It is certified that error appears in the above-identified patent and that said Letters Patent is hereby corrected as shown below:

On the Title Page

Item (54) in the title: "Hidroponic" should read "Hydroponic"

Signed and Sealed this
Fifth Day of November, 2019



Andrei Iancu
Director of the United States Patent and Trademark Office