



US00D858341S

(12) **United States Design Patent**
Chen

(10) **Patent No.:** **US D858,341 S**

(45) **Date of Patent:** **** Sep. 3, 2019**

(54) **EARRING**

(71) Applicant: **Huangsheng Chen**, Zhanjiang (CN)

(72) Inventor: **Huangsheng Chen**, Zhanjiang (CN)

(**) Term: **15 Years**

(21) Appl. No.: **29/581,409**

(22) Filed: **Oct. 19, 2016**

(51) **LOC (12) Cl.** **11-01**

(52) **U.S. Cl.**

USPC **D11/40**

(58) **Field of Classification Search**

USPC D11/1-7, 16, 40-45, 47-50, 52-54,

D11/56-58, 61, 63, 75-86; D3/207-211

CPC A44C 1/00; A44C 5/00; A44C 5/0007;

A44C 5/02; A44C 7/00; A44C 7/002;

A44C 7/003; A44C 7/004; A44C 7/005;

A44C 7/006; A44C 7/007; A44C 7/008;

A44C 7/009; A44C 15/00; A44C 25/00;

A44C 25/001; A44C 25/002; A44C

25/007

See application file for complete search history.

(56) **References Cited**

U.S. PATENT DOCUMENTS

D417,636 S * 12/1999 Ambar D11/40

D447,080 S * 8/2001 Itzkowitz D11/26

D620,387 S *	7/2010	Kothari	D11/91
D642,088 S *	7/2011	Kothari	D11/40
D655,219 S *	3/2012	Kothari	D11/40
D674,315 S *	1/2013	Dholakiya	D11/40
D678,117 S *	3/2013	Yep	D11/34
D679,215 S *	4/2013	Roehl	D11/91
D682,139 S *	5/2013	Kothari	D11/40
D716,683 S *	11/2014	Wolf	D11/79
D751,939 S *	3/2016	Vartanian	D11/1
D751,945 S *	3/2016	Yep	D11/92
D761,151 S *	7/2016	Weems	D11/80
D766,745 S *	9/2016	Abdourahim	D10/30
D808,851 S *	1/2018	Kwon	D11/40
2009/0235689 A1 *	9/2009	Slowinski	A44C 17/046 63/15

* cited by examiner

Primary Examiner — Wendy L Arminio

(57) **CLAIM**

The ornamental design for an earring, as shown.

DESCRIPTION

FIG. 1 is a front elevational view of an earring showing my new design;

FIG. 2 is a left side elevational view thereof;

FIG. 3 is a right side elevational view thereof;

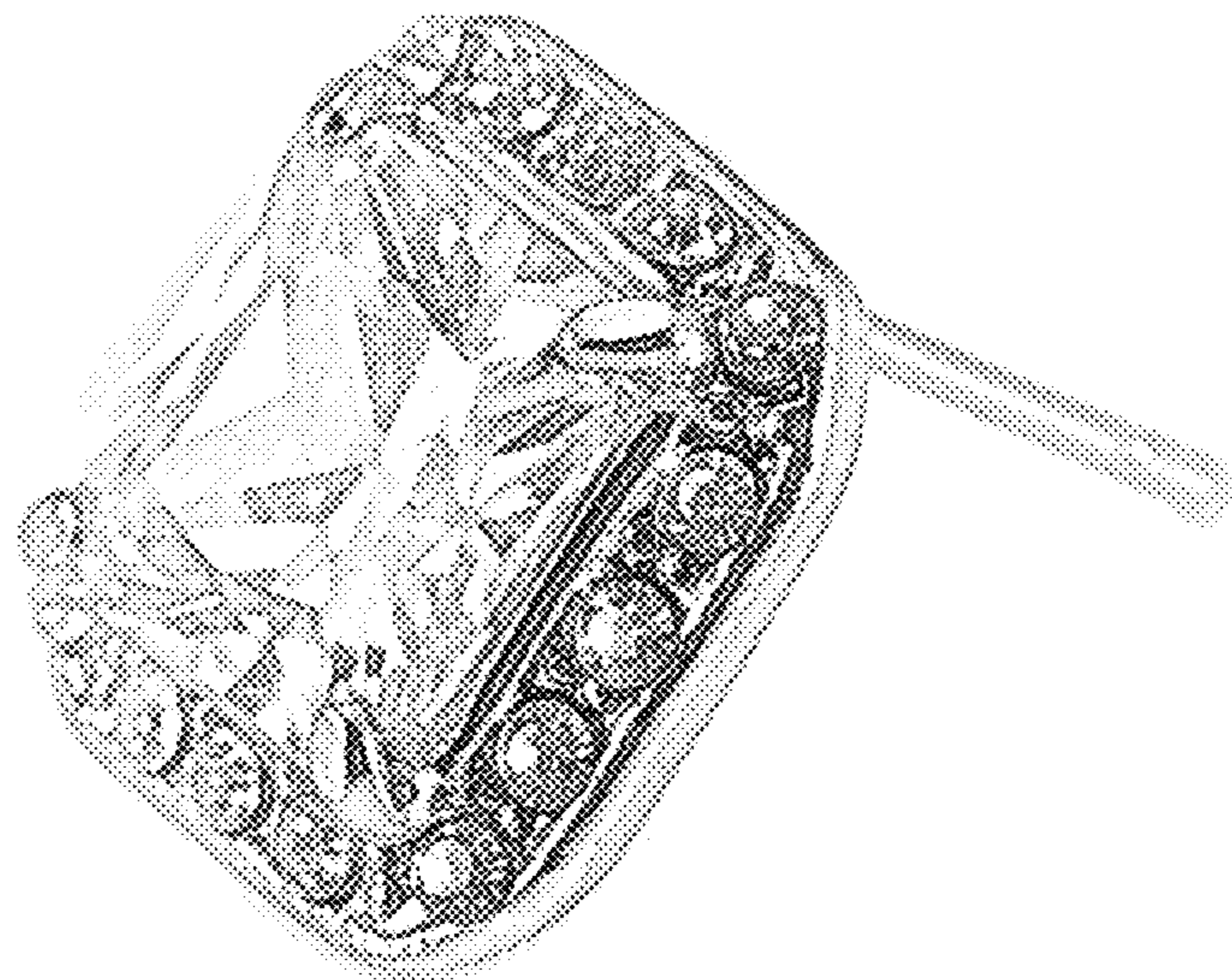
FIG. 4 is a top plan view thereof;

FIG. 5 is a bottom plan view thereof;

FIG. 6 is a front perspective view thereof; and,

FIG. 7 is a rear perspective view thereof.

1 Claim, 4 Drawing Sheets



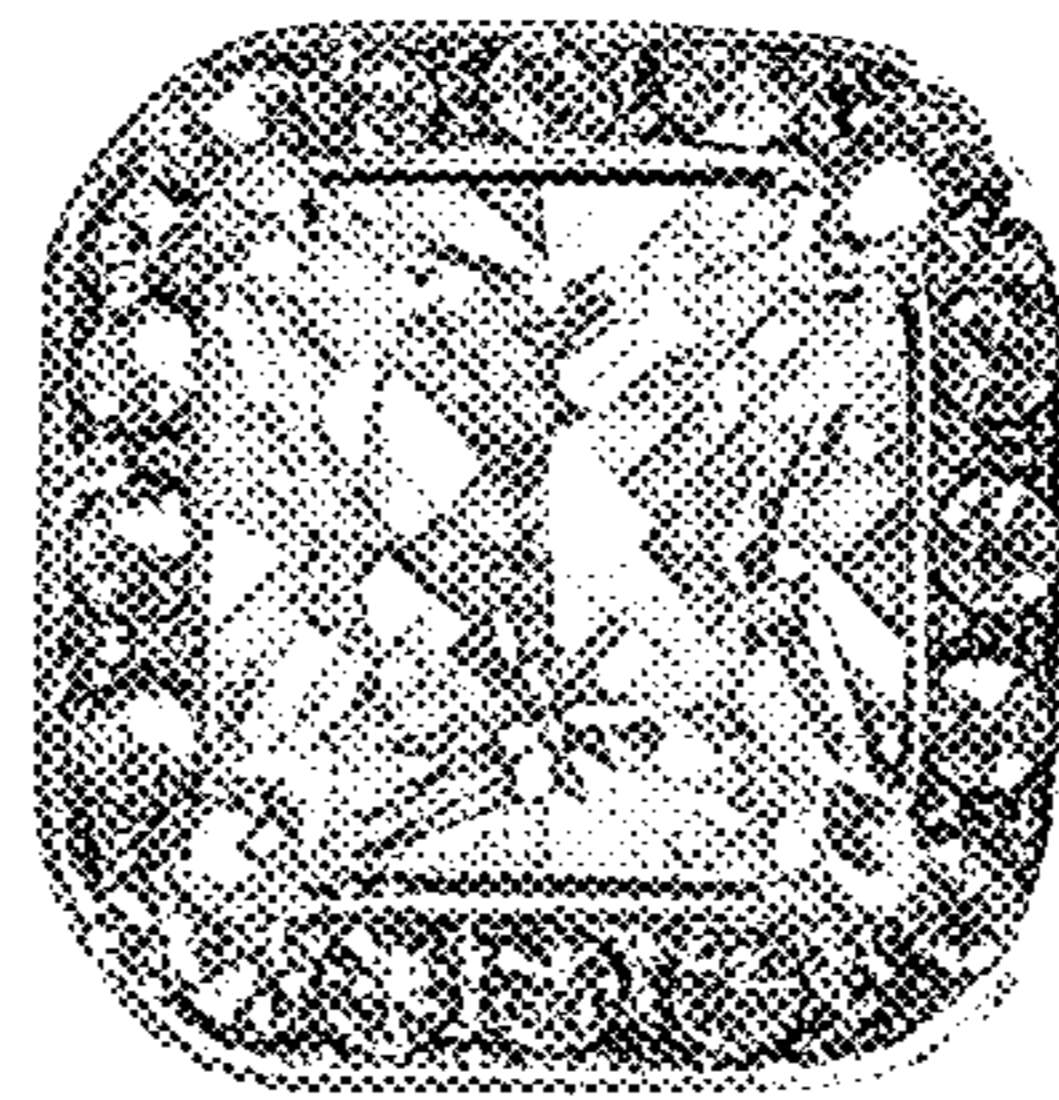


FIG.1

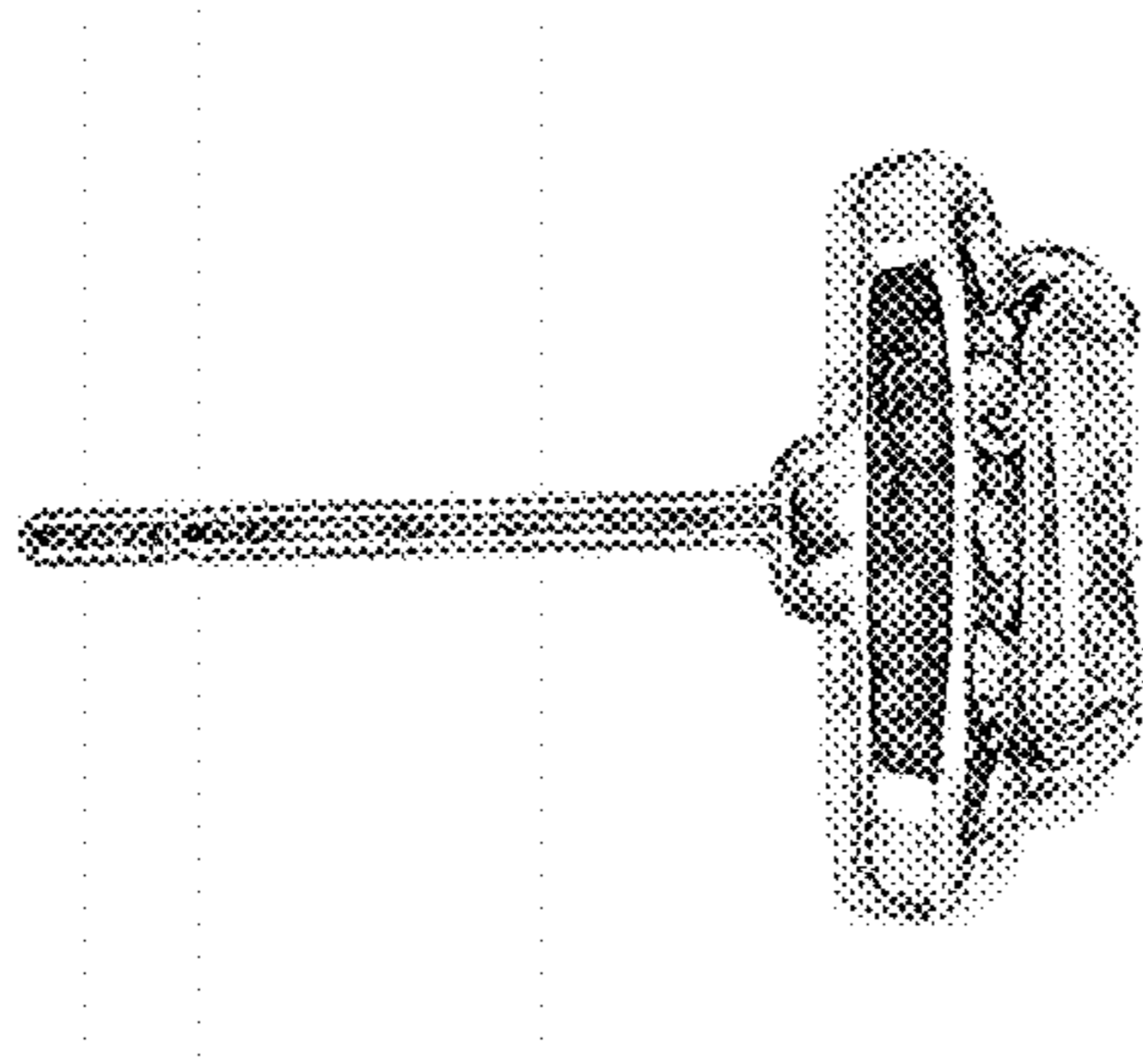


FIG.2

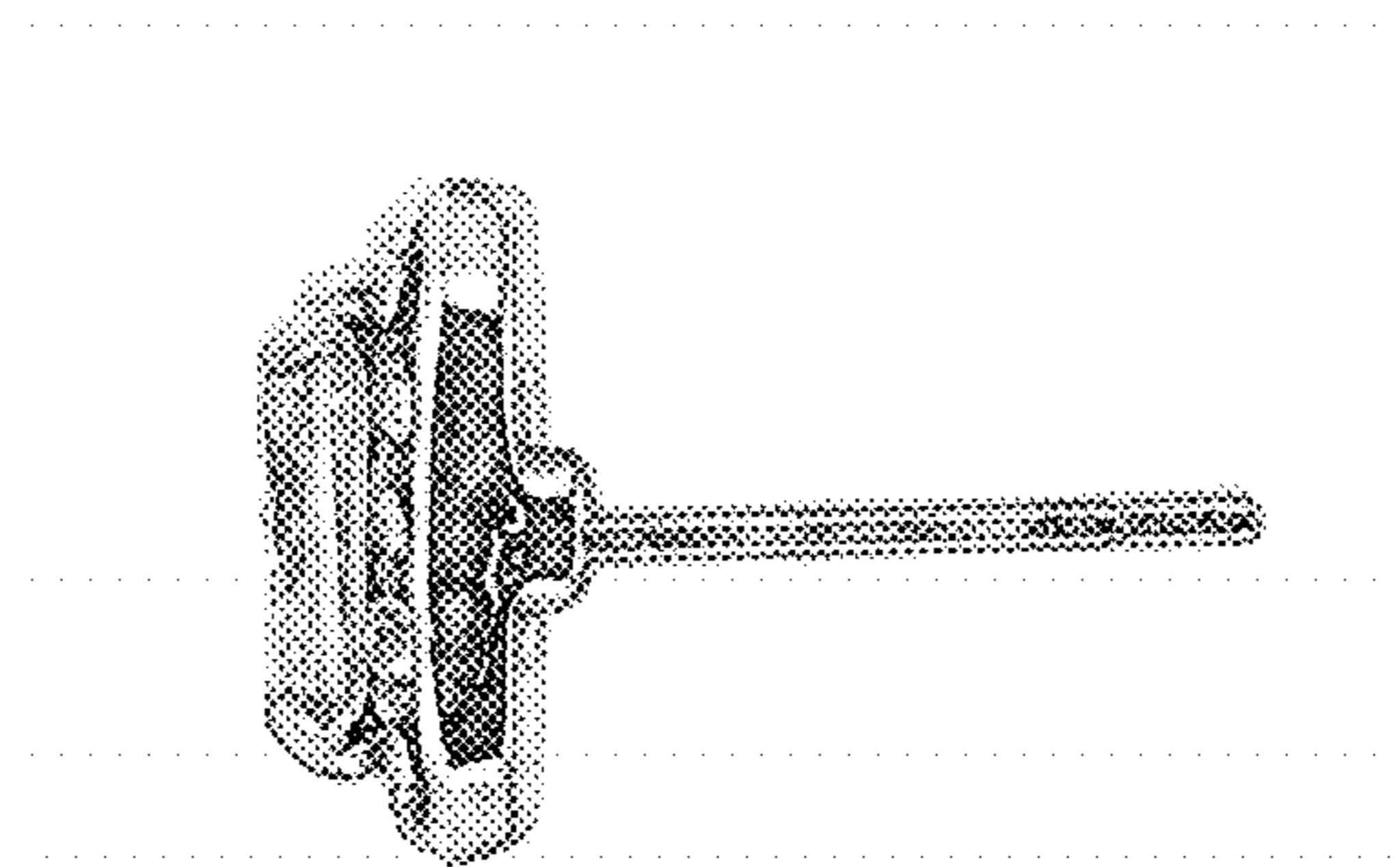


FIG.3

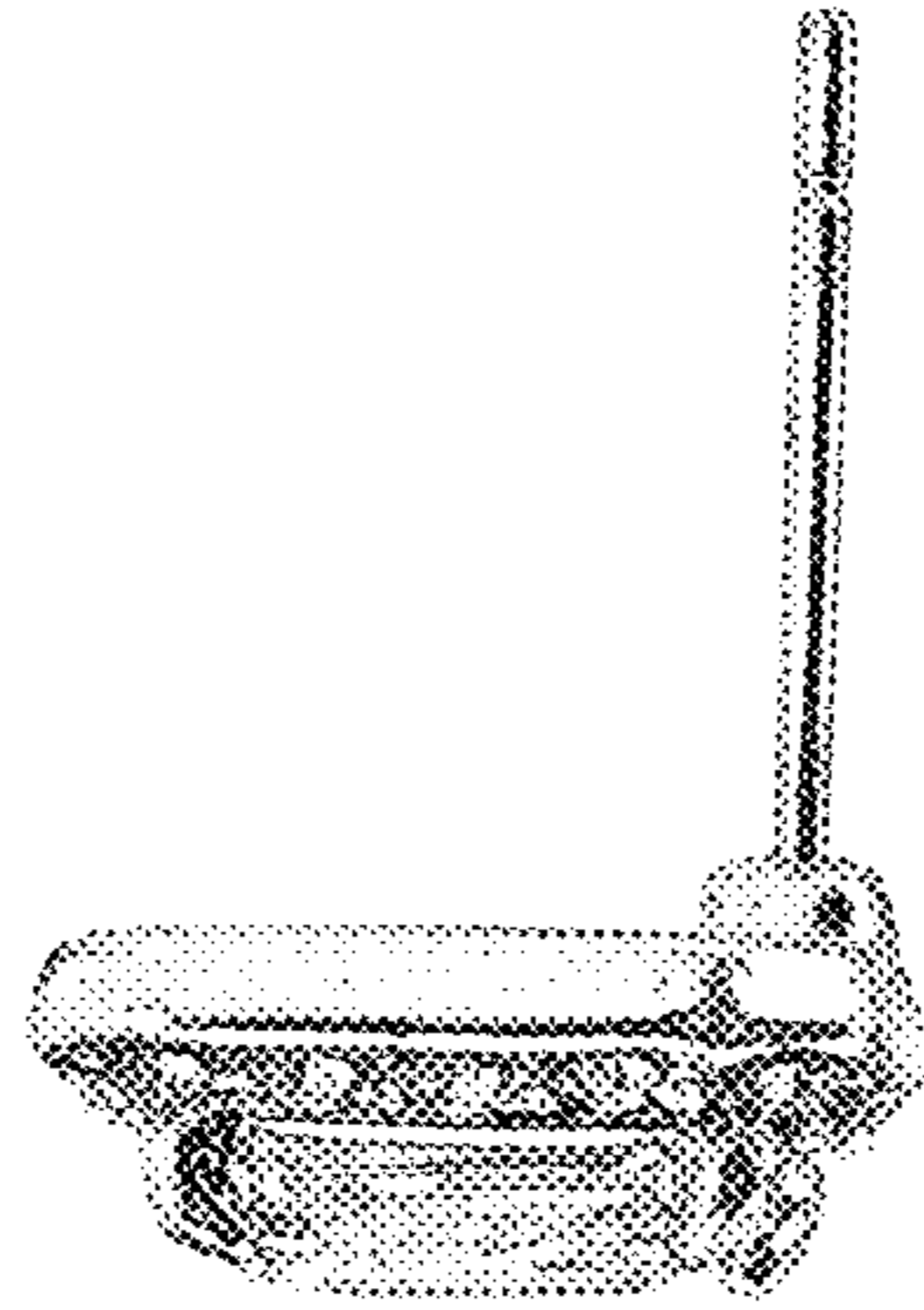


FIG. 4

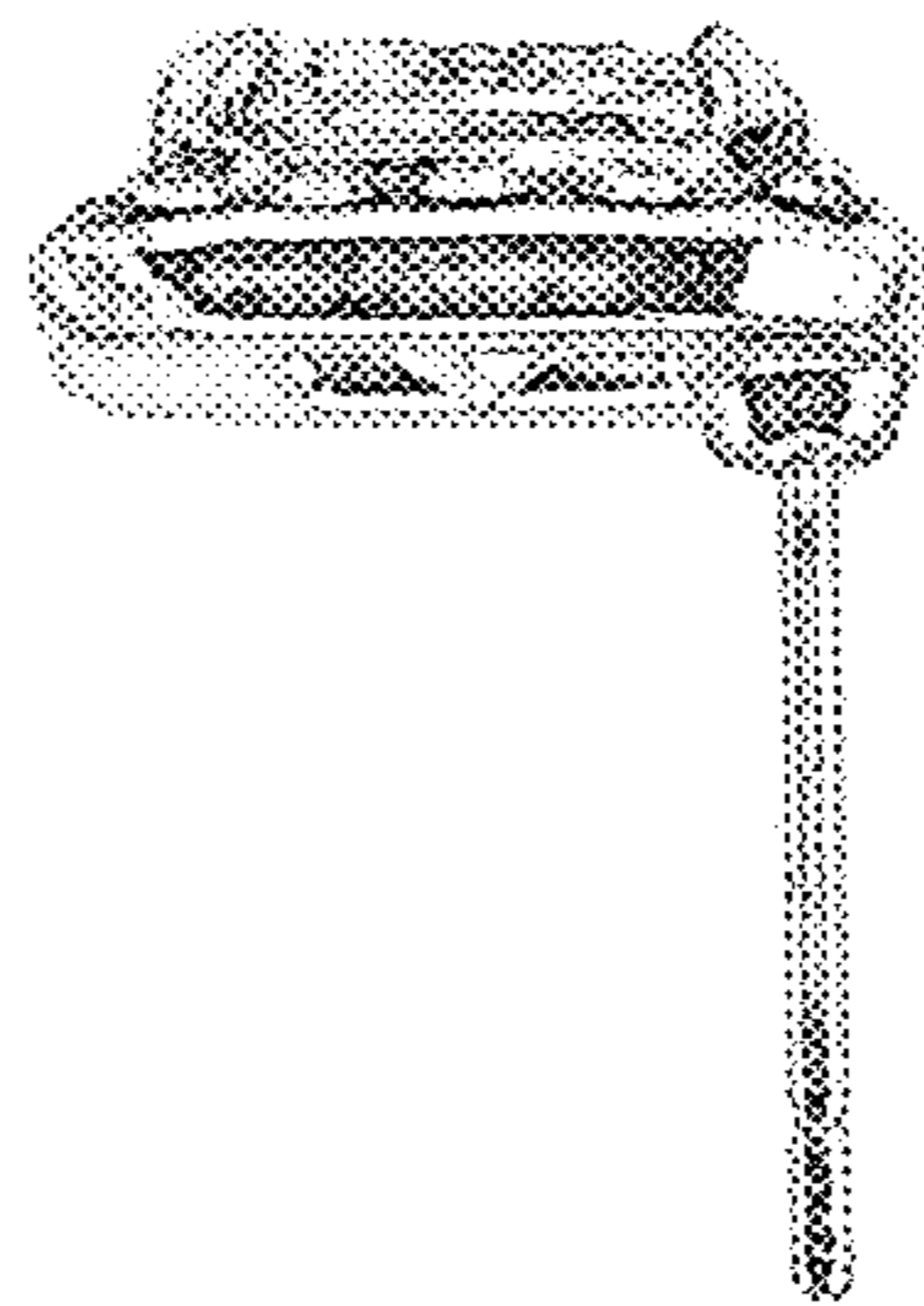


FIG. 5



FIG. 6

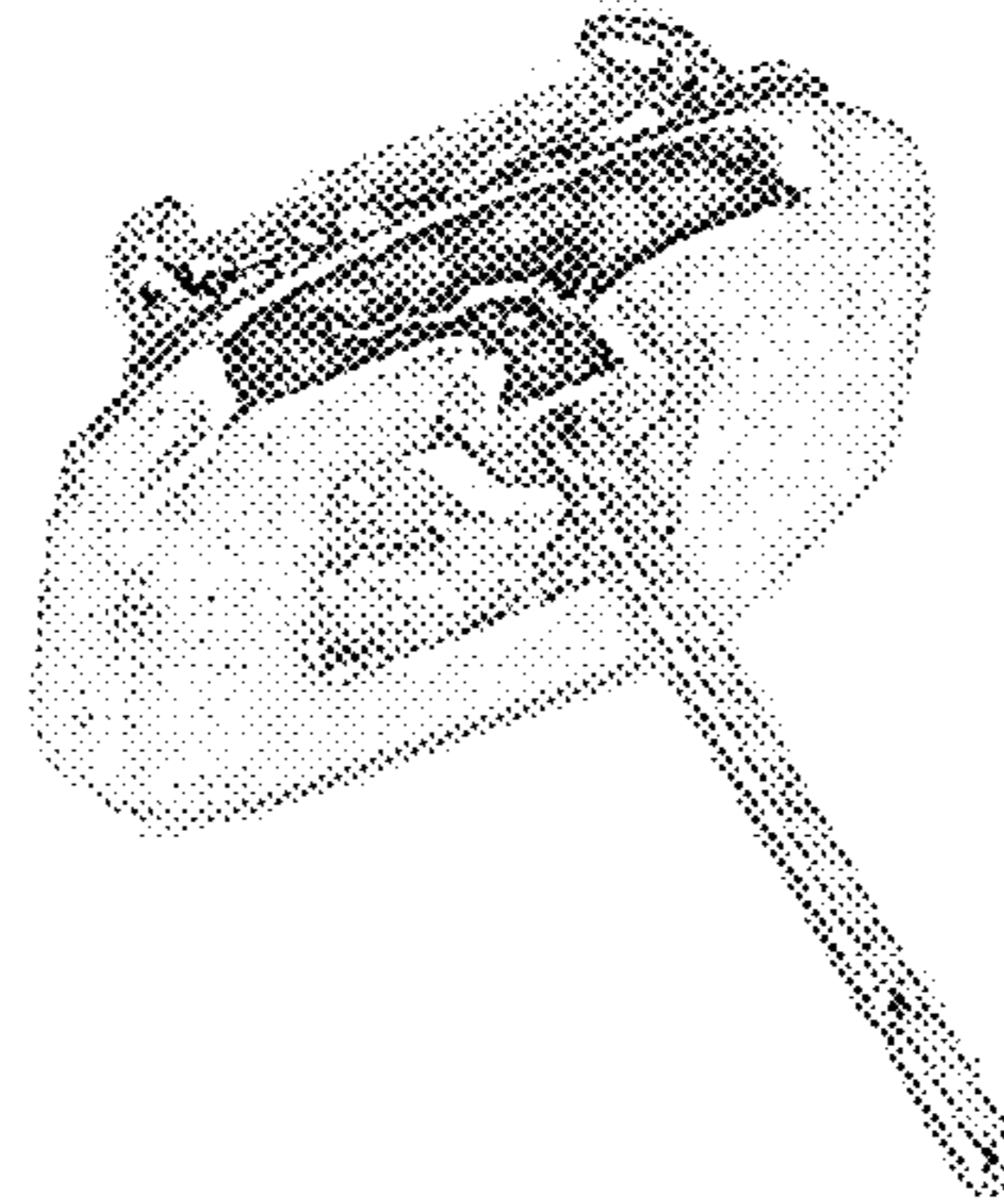


FIG. 7