



US00D858338S

(12) **United States Design Patent** (10) **Patent No.:** **US D858,338 S**
Yu (45) **Date of Patent:** **** Sep. 3, 2019**

- (54) **SMART DOORBELL SET**
- (71) Applicant: **Shenzhen Longzhiyuan Technology Co., Ltd.**, Shenzhen, Guangdong (CN)
- (72) Inventor: **Mengchu Yu**, Guangdong (CN)
- (73) Assignee: **Shenzhen Longzhiyuan Technology Co., Ltd.**, Shenzhen (CN)
- (**) Term: **15 Years**
- (21) Appl. No.: **29/641,979**
- (22) Filed: **Mar. 26, 2018**
- (51) **LOC (12) Cl.** **10-05**
- (52) **U.S. Cl.**
USPC **D10/118.2**
- (58) **Field of Classification Search**
USPC D10/46, 104.1, 106, 106.5, 106.6, 116.1, D10/118, 118.1, 118.2, 119.1, 120, 121, D10/124, 126; D8/350, 343, 305, 353; D13/158, 169, 171, 174; D14/159, 358; D16/202, 203, 208, 209, 215; D25/147, D25/103; D26/72, 85, 88; 200/310; 340/392.1, 384.7, 326, 539.14; 455/41.2
CPC H04M 11/02; H04M 11/025; G08B 3/00; G08B 3/10; G08B 7/00; G08B 7/06
See application file for complete search history.

D822,519 S *	7/2018	Siminoff	D10/118.2
D822,520 S *	7/2018	Siminoff	D10/118.2
D829,585 S *	10/2018	Siminoff	D10/118.2
D830,871 S *	10/2018	Siminoff	D10/118.2
D833,313 S *	11/2018	Siminoff	D10/118.2
D837,080 S *	1/2019	Siminoff	D10/118.2

OTHER PUBLICATIONS

Available Feb. 12, 2019, [online], [site visited Feb. 12, 2019]. Available from Internet, <URL:https://wohomeshop.com/collections/best-sellers/products/wohome-battery-powered-with-plug-in-chime-wifi-video-camera-doorbell> (Year: 2019).*

Available Feb. 12, 2019, [online], [site visited Feb. 12, 2019]. Available from Internet, <URL:http://www.szlongzy.com/html/20180822/37.html> (Year: 2019).*

(Continued)

Primary Examiner — Cathron C Brooks
Assistant Examiner — Katrina N Gonzalez

(57) **CLAIM**

The ornamental design for a smart doorbell set, as shown and described.

DESCRIPTION

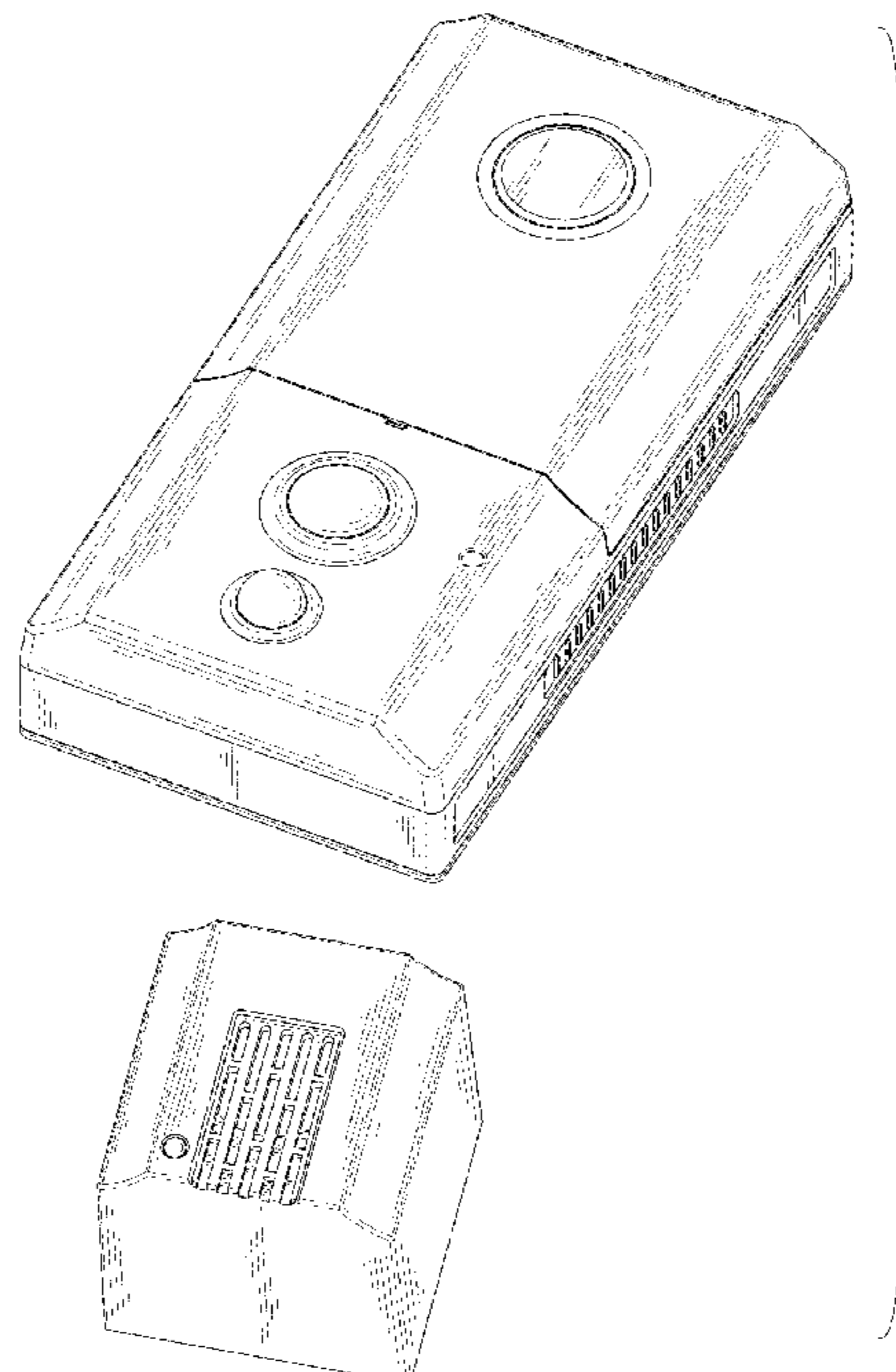
FIG. 1 is a bottom, front and right side perspective view of a smart doorbell set showing my new design;
FIG. 2 is a top, rear and right side perspective view thereof;
FIG. 3 is a front elevational view thereof;
FIG. 4 is a rear elevational view thereof;
FIG. 5 is a left side view thereof;
FIG. 6 is a right side view thereof;
FIG. 7 is a top plan view thereof; and,
FIG. 8 is a bottom plan view thereof.

The broken lines in the drawings illustrate portions of the smart doorbell set which form no part of the claimed design.

1 Claim, 8 Drawing Sheets

(56) **References Cited**
U.S. PATENT DOCUMENTS

D819,476 S *	6/2018	Siminoff	D10/118.2
D820,137 S *	6/2018	Siminoff	D10/118.2
D820,707 S *	6/2018	Siminoff	D10/118.2
D820,708 S *	6/2018	Siminoff	D10/118.2
D822,518 S *	7/2018	Siminoff	D10/118.2



(56)

References Cited

OTHER PUBLICATIONS

Available Apr. 10, 2018, [online], [site visited Feb. 12, 2019]. Available from Internet, <URL:<https://www.banghappy.com/products/smart-wifi-doorbell-with-security-camera-and-instant-video-call-action>> (Year: 2018).*

(Via YouTube), available Nov. 5, 2017, [online], [site visited Feb. 12, 2019]. Available from Internet, <URL:<https://www.youtube.com/watch?v=nz3RPbAXreE>> (Year: 2017).*

Available Feb. 12, 2019, [online], [site visited Feb. 12, 2019]. Available from Internet, <URL:<https://goscman.manufacturer.globalsources.com/si/6008825024634/pdtl/Audio-doorphone/1159284060/Video-Doorbell.htm>> (Year: 2019).*

* cited by examiner

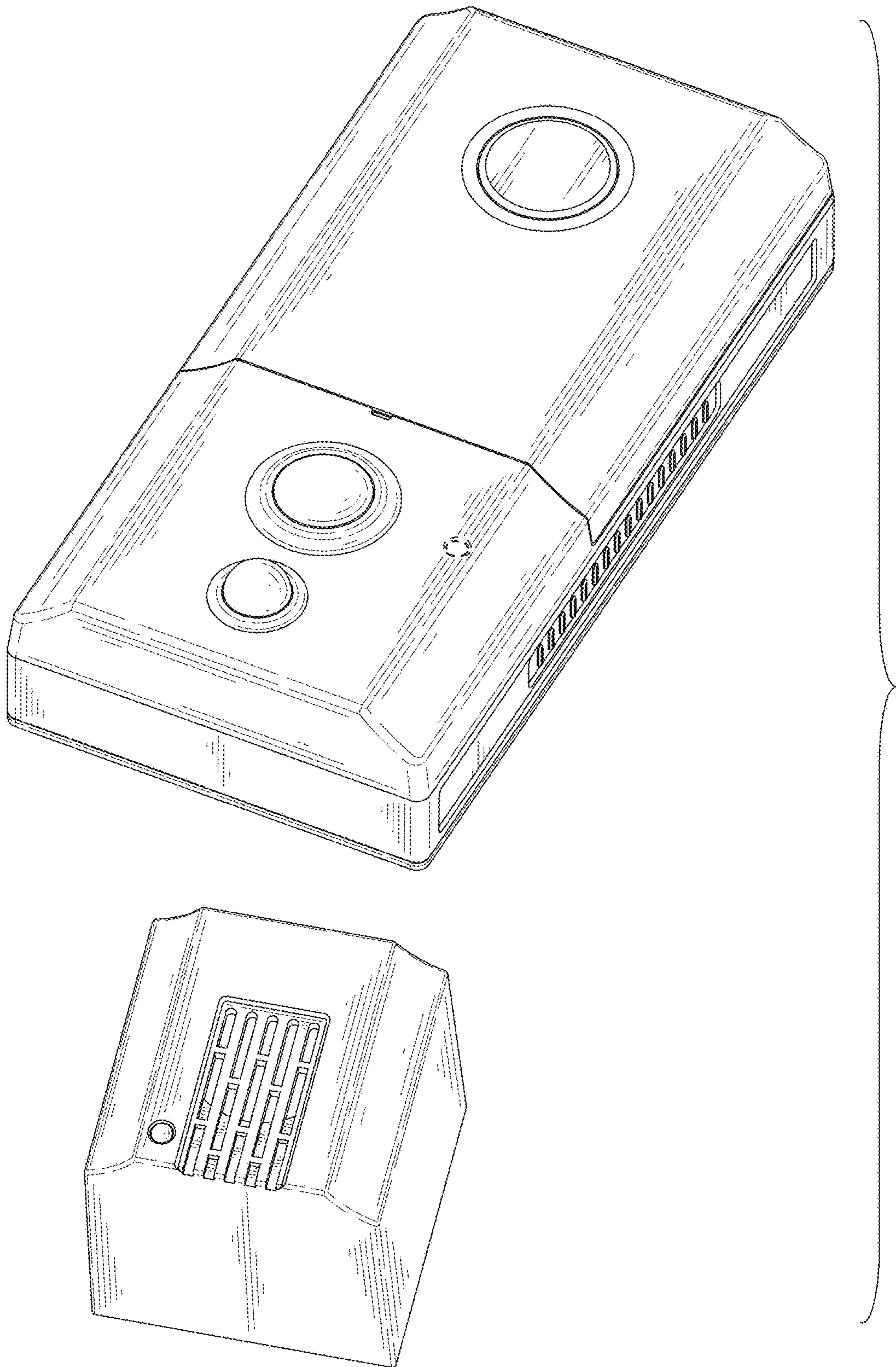


FIG. 1

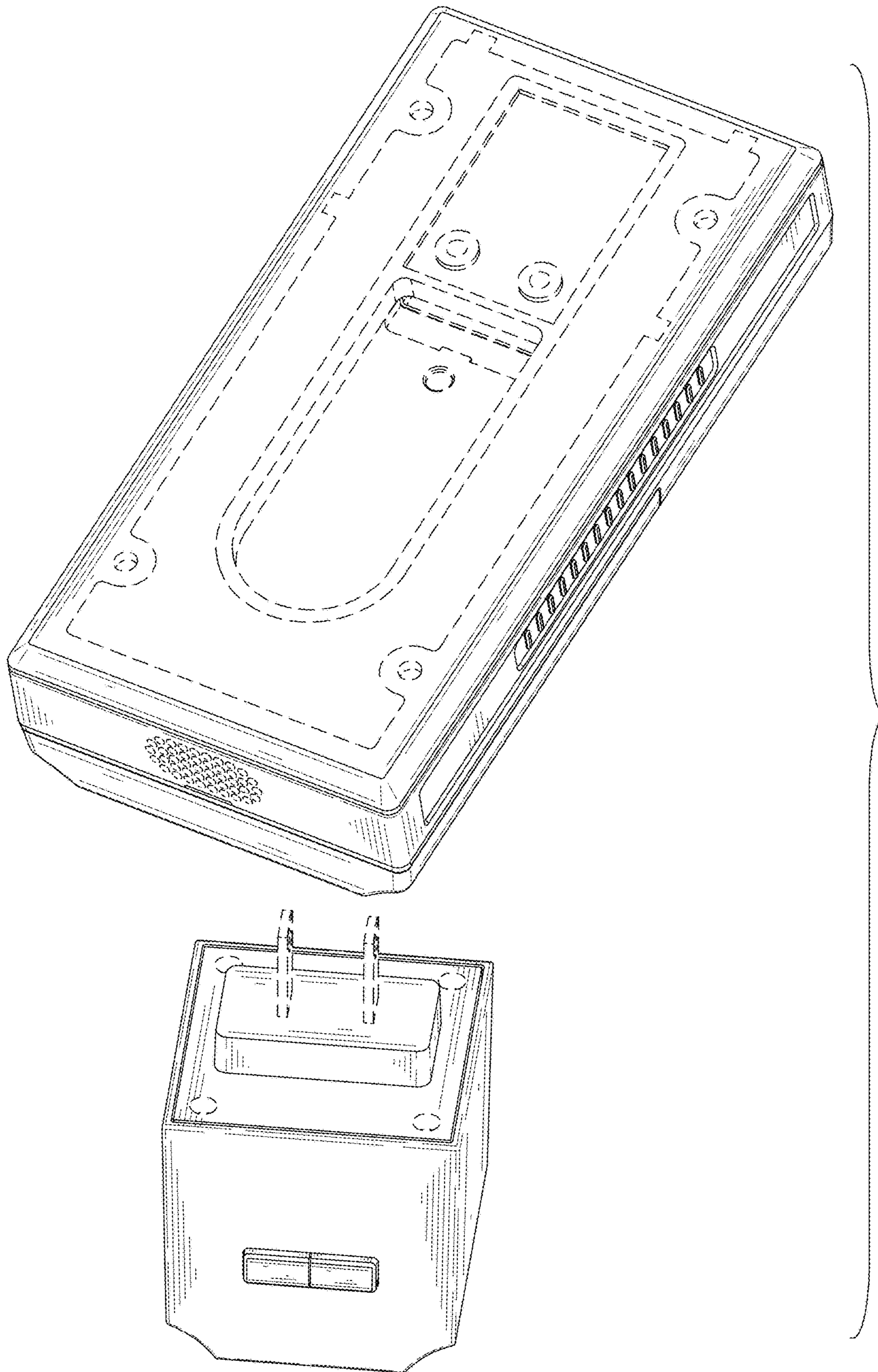


FIG. 2

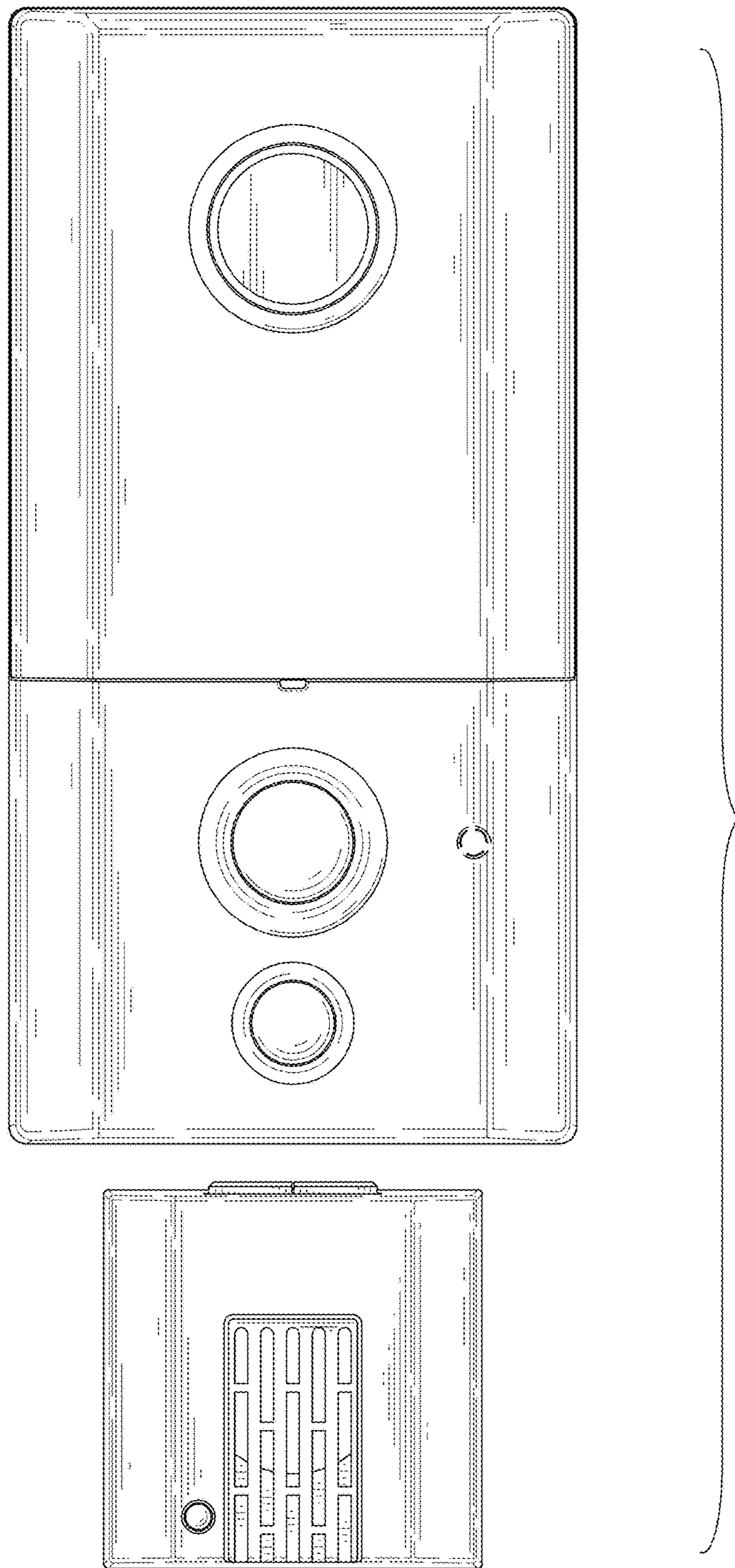


FIG. 3

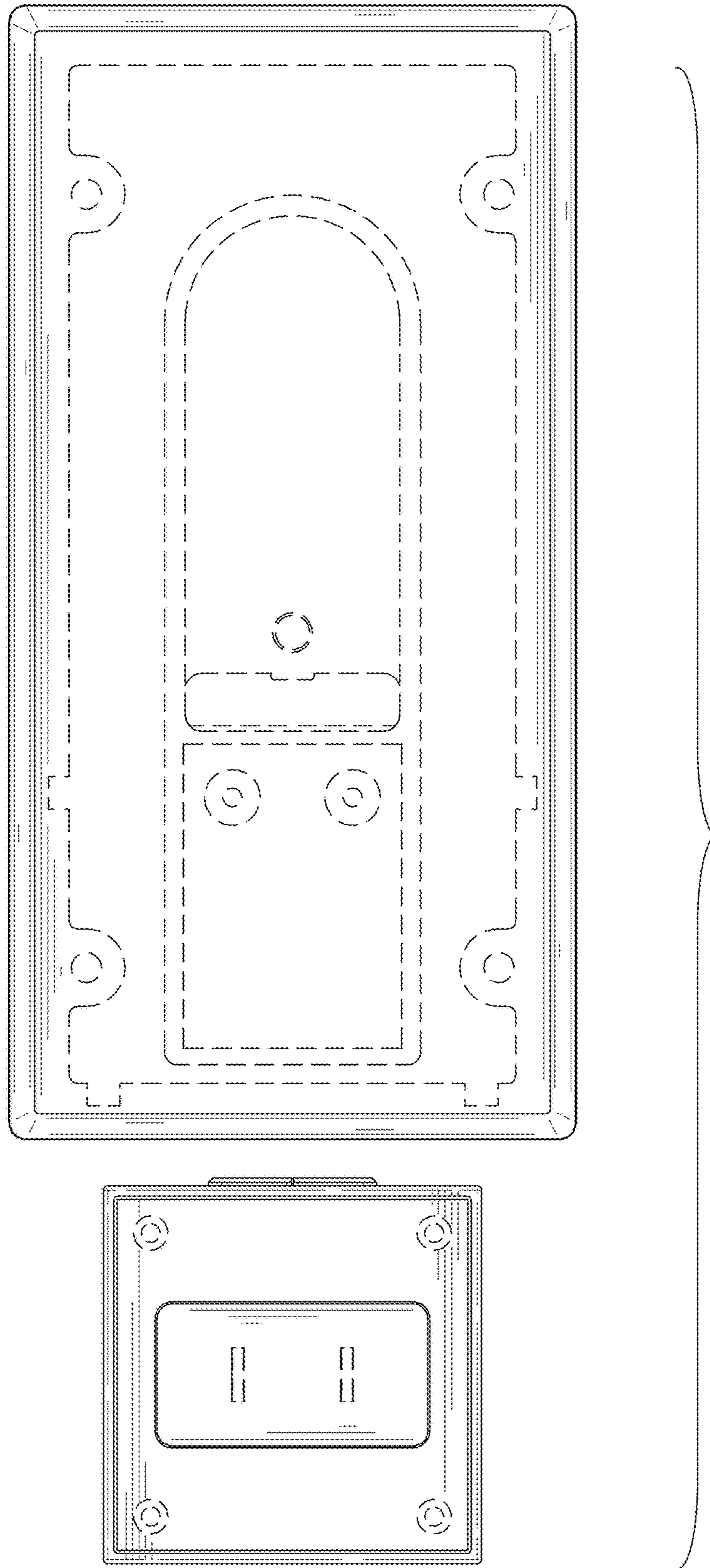


FIG. 4

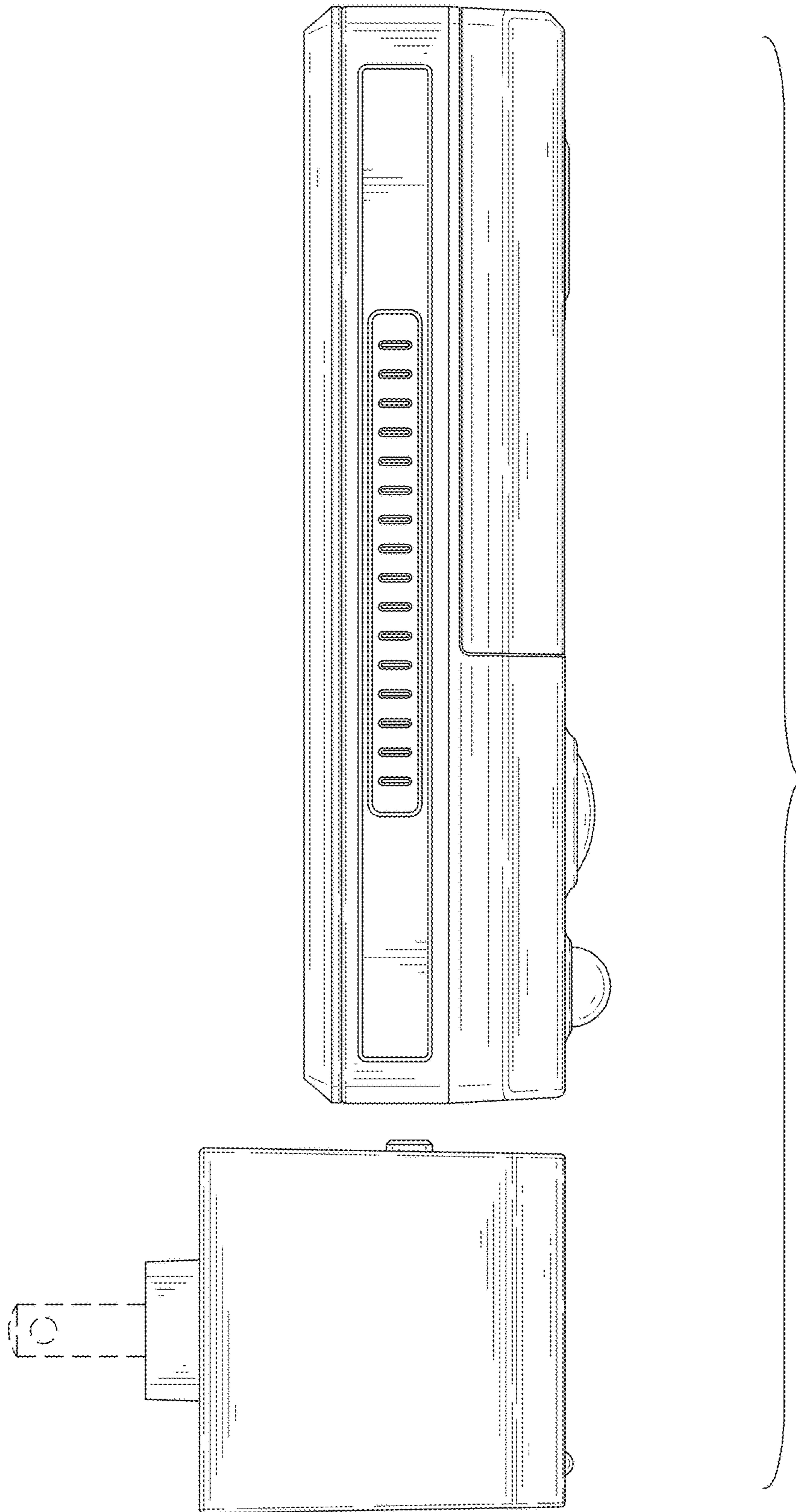


FIG. 5

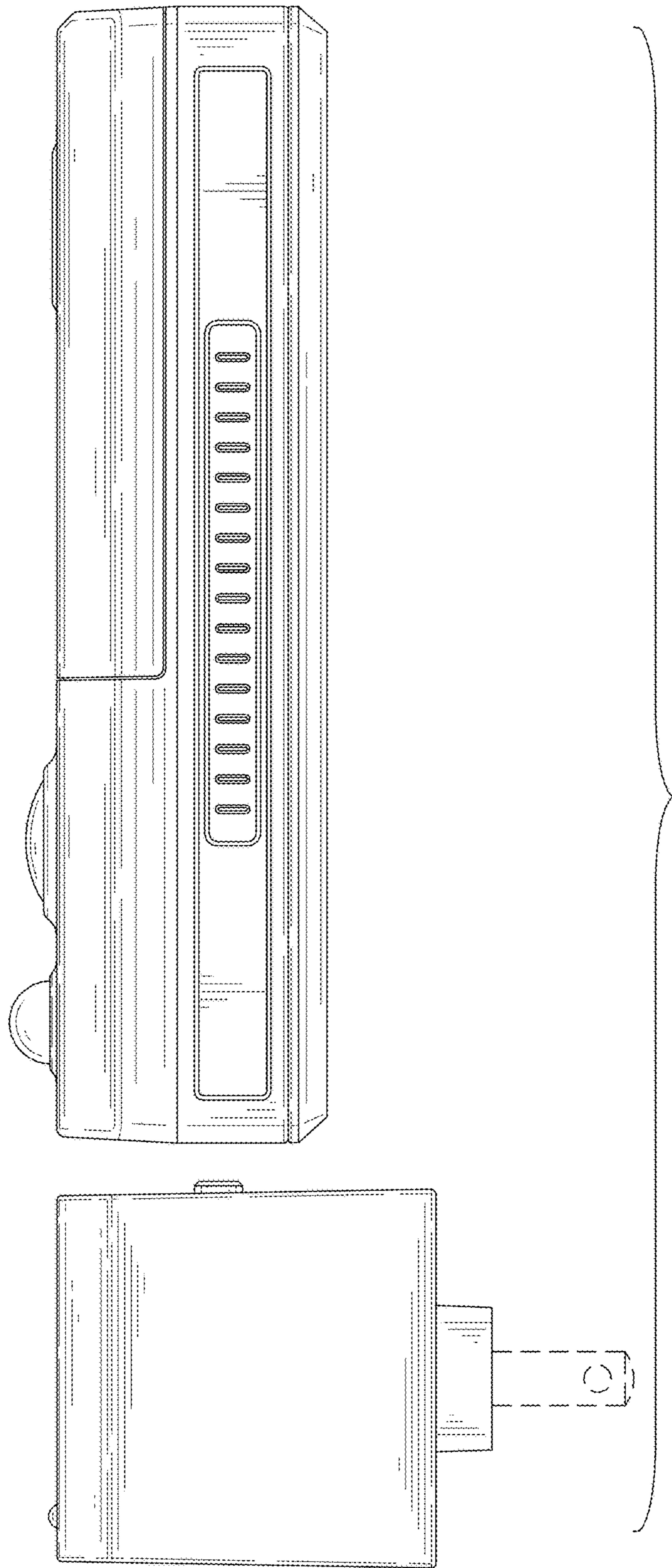


FIG. 6

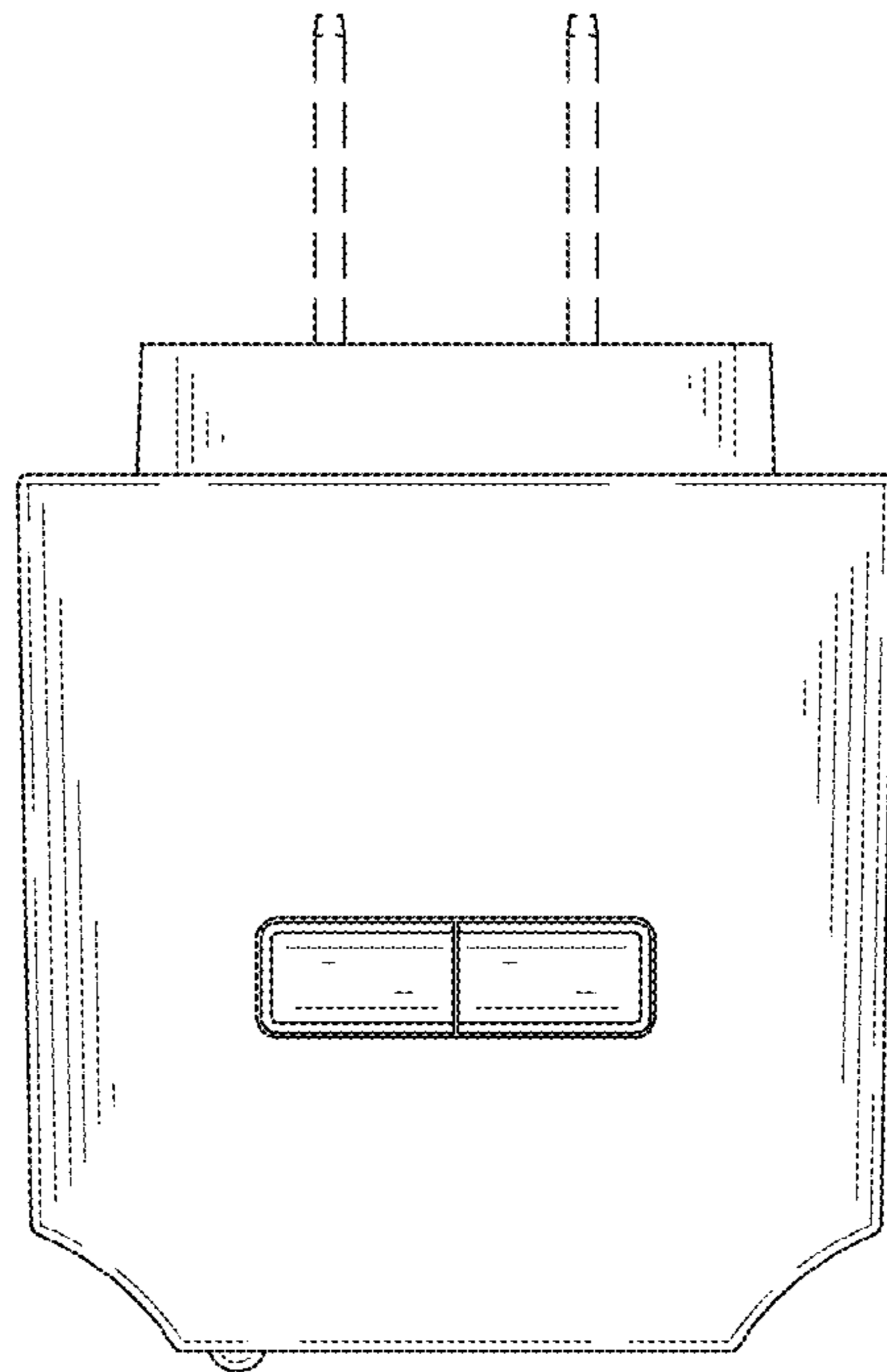
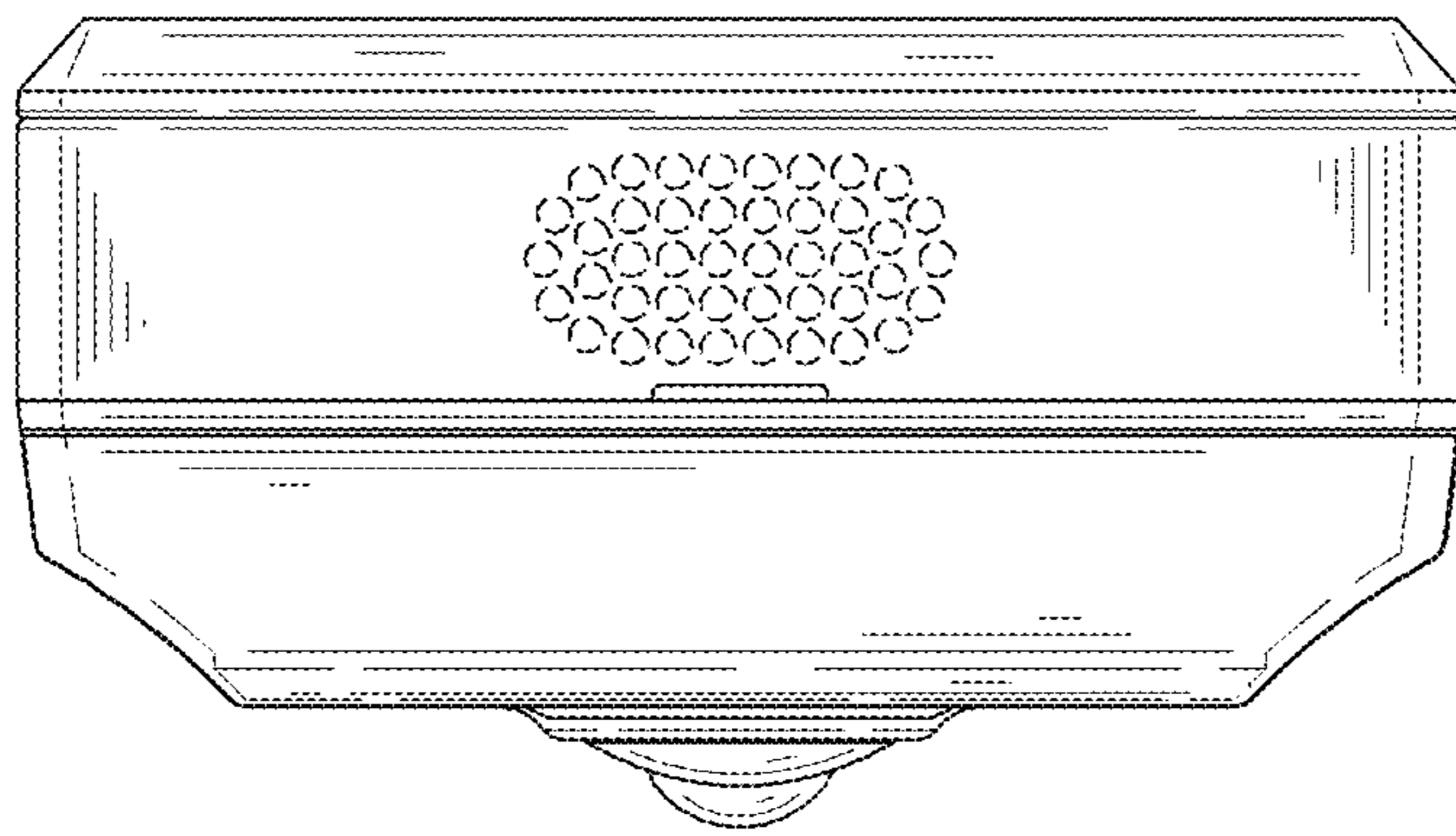


FIG. 7



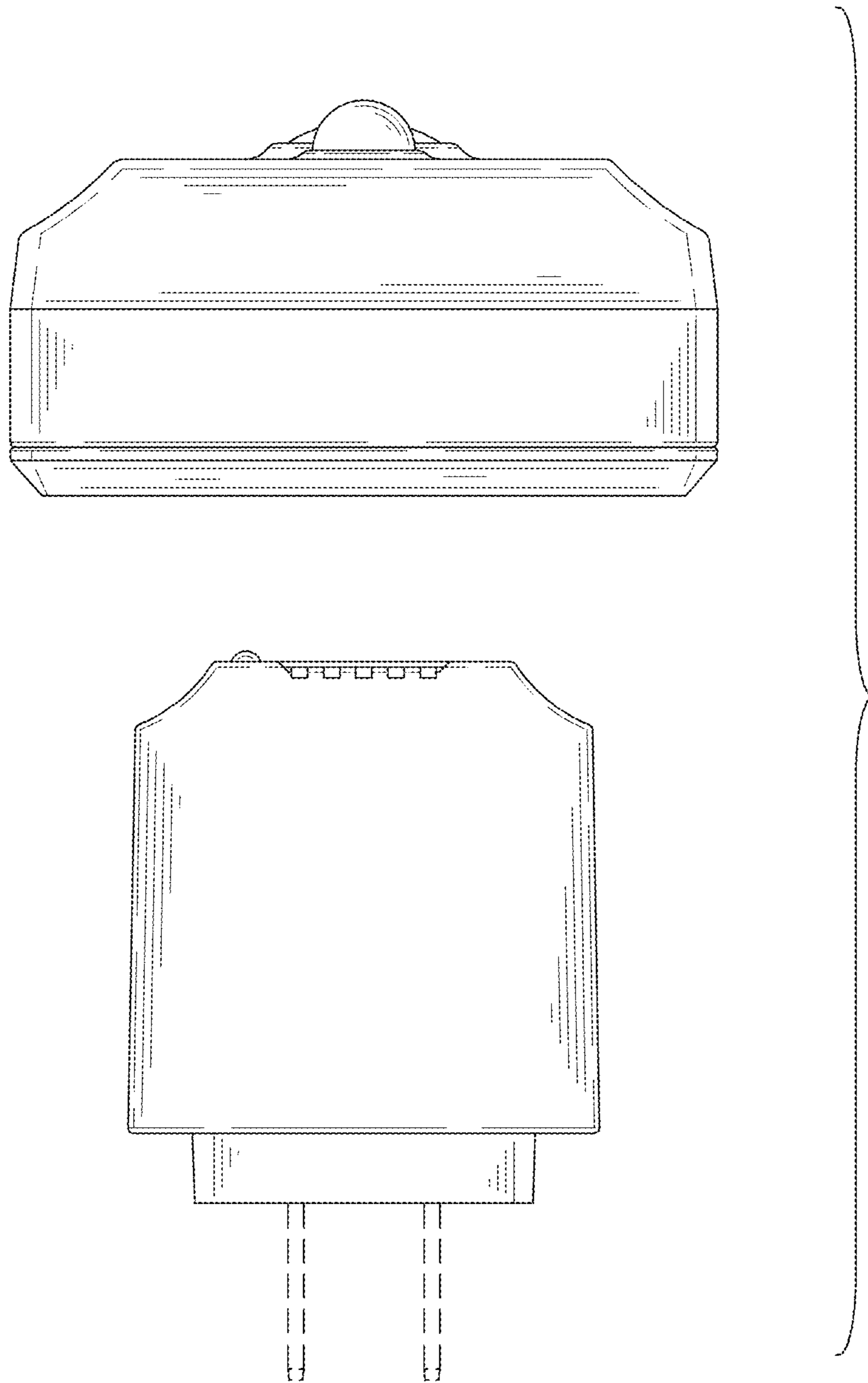


FIG. 8