



US00D858336S

(12) **United States Design Patent** (10) **Patent No.:** **US D858,336 S**
Kristensson et al. (45) **Date of Patent:** **** Sep. 3, 2019**

- (54) **PART OF A BURGLAR ALARM**
- (71) Applicant: **VERISURE SÀRL**, Versoix (CH)
- (72) Inventors: **Daniel Kristensson**, Saxtorp (SE); **Henrik Mårtensson**, Lund (SE); **Kajsa Aspegren**, Falsterbo (SE); **Bayden Filleul**, Dublin (IE); **Eoin McNally**, Dublin (IE); **Ryan Helps**, Malmö (SE); **Kim McKenzie Doyle**, Carlow (IE); **Emmanuelle Choteau**, Lille (FR); **Diarmuid MacMahon**, Dublin (IE)
- (73) Assignee: **VERISURE SÀRL**, Versoix (CH)
- (**) Term: **15 Years**
- (21) Appl. No.: **29/659,176**
- (22) Filed: **Aug. 7, 2018**

Related U.S. Application Data

- (62) Division of application No. 35/502,893, filed on Oct. 25, 2016 (U.S. filing date under 35 U.S.C. 384), and having an international filing date of Oct. 25, 2016, now Pat. No. Des. 834,978.

Foreign Application Priority Data

- Oct. 25, 2016 (WO) DM/093169
- (51) **LOC (12) Cl.** **10-05**
- (52) **U.S. Cl.**
USPC **D10/106.1**
- (58) **Field of Classification Search**
USPC D10/104.1, 106.1, 106.7, 106.95;
D14/204, 214, 194, 240, 198; D13/174,
D13/162, 139.8
CPC H04R 1/026; H04R 1/025
See application file for complete search history.

- (56) **References Cited**
- U.S. PATENT DOCUMENTS
- D261,740 S * 11/1981 Lederer D10/106.6
- D307,560 S * 5/1990 Andrews D10/106.6
- D449,244 S 10/2001 Ginzel
- D534,089 S 12/2006 Disselkoen et al.
- D537,746 S 3/2007 Kageyama
- D559,718 S 1/2008 Schaeken
- D559,719 S 1/2008 Schaeken et al.
- D632,600 S 2/2011 Noguchi
- D664,877 S * 8/2012 Krumpe D10/106.7
- D666,934 S 9/2012 Krumpe et al.
- D680,013 S 4/2013 Ikeda et al.
- D711,272 S * 8/2014 Reibel D10/106.7
- D713,277 S 9/2014 Hasegawa et al.
- D726,179 S 4/2015 Orthey
- D744,884 S 12/2015 Roberts et al.
- (Continued)

FOREIGN PATENT DOCUMENTS

- EM 000422308-0002 S 11/2005
- EM 000442124-0001 S 1/2006
- (Continued)

Primary Examiner — George D. Kirschbaum
(74) *Attorney, Agent, or Firm* — Moser Taboada

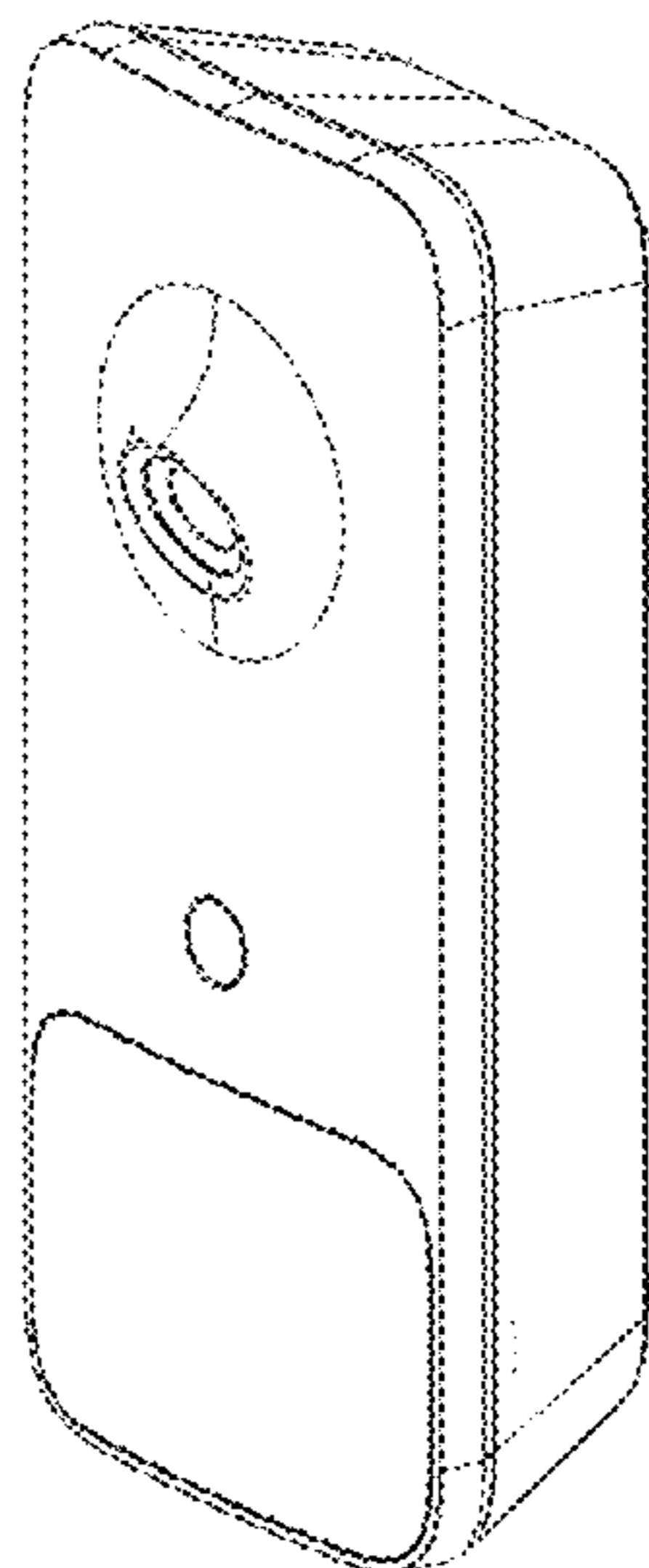
(57) **CLAIM**

The ornamental design for part of a burglar alarm, as shown and described.

DESCRIPTION

FIG. 1 is a front isometric view of part of a burglar alarm embodying the new design;
FIG. 2 is a top view of the design shown in FIG. 1;
FIG. 3 is a bottom view of the design shown in FIG. 1;
FIG. 4 is a front view of the design shown in FIG. 1;
FIG. 5 is a left side view of the design shown in FIG. 1; and,
FIG. 6 is a right side view of the design shown in FIG. 1.

1 Claim, 6 Drawing Sheets



(56)

References Cited

U.S. PATENT DOCUMENTS

D747,228 S	1/2016	Fiedler et al.	
D757,586 S	5/2016	Li	
D777,050 S	1/2017	Will et al.	
D778,185 S	2/2017	Ookawa et al.	
D786,106 S	5/2017	Yau	
D788,603 S	6/2017	Liu	
D793,262 S	8/2017	Geskin et al.	
D793,888 S	8/2017	Hasegawa	
D796,364 S	9/2017	Konotopskyi et al.	
D803,187 S	11/2017	Gunnarsson et al.	
D805,941 S	12/2017	Jou et al.	
D806,671 S	1/2018	Kalyuzhny et al.	
D806,678 S	1/2018	Reichert et al.	
D807,320 S	1/2018	Wong	
D809,951 S	2/2018	Yang et al.	
D825,365 S *	8/2018	Van Der Bijl D10/104.1

FOREIGN PATENT DOCUMENTS

EM	001783051-0001 S	11/2010
EM	001783051-0002 S	11/2010
EM	001783051-0004 S	11/2010
EM	001783051-0005 S	11/2010
EM	001783051-0006 S	11/2010
FR	006594 S	11/2000
NO	079807 S	4/2006
NO	080069 S	5/2006

* cited by examiner

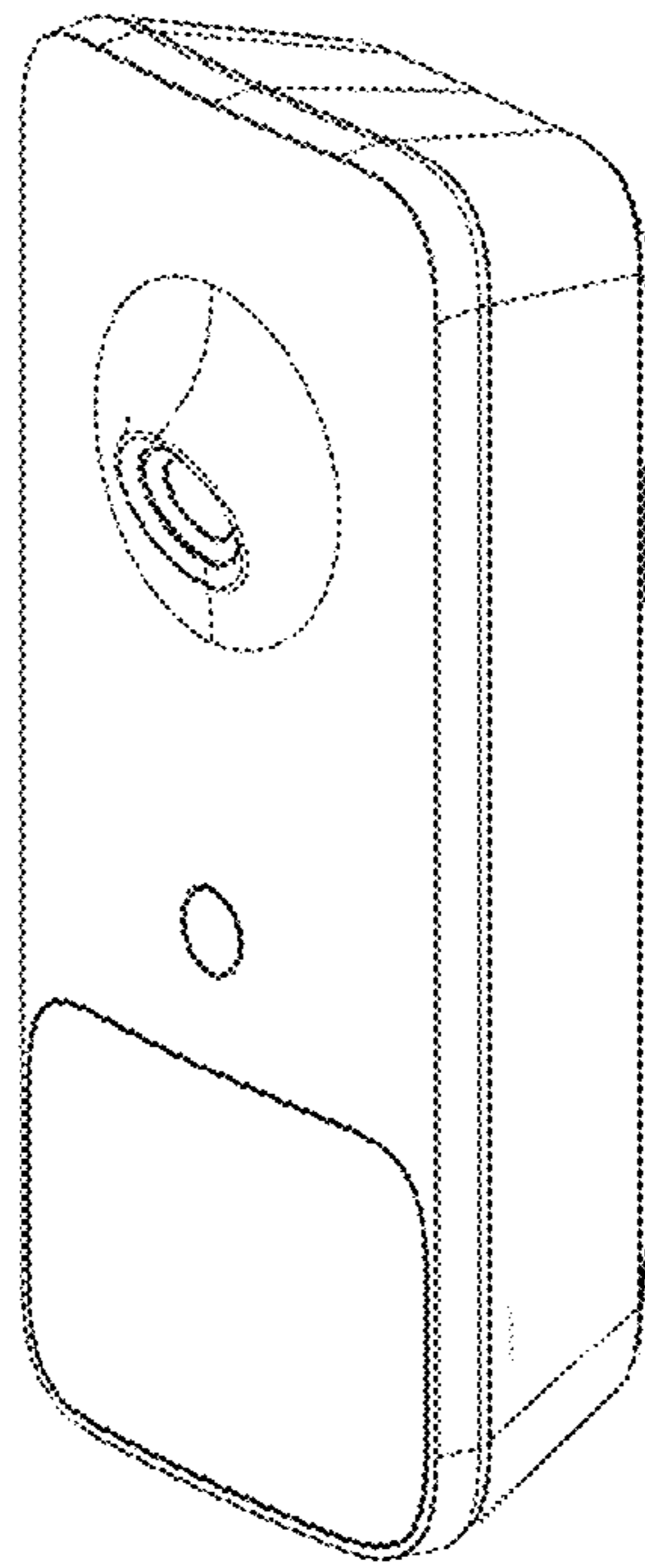


FIG. 1

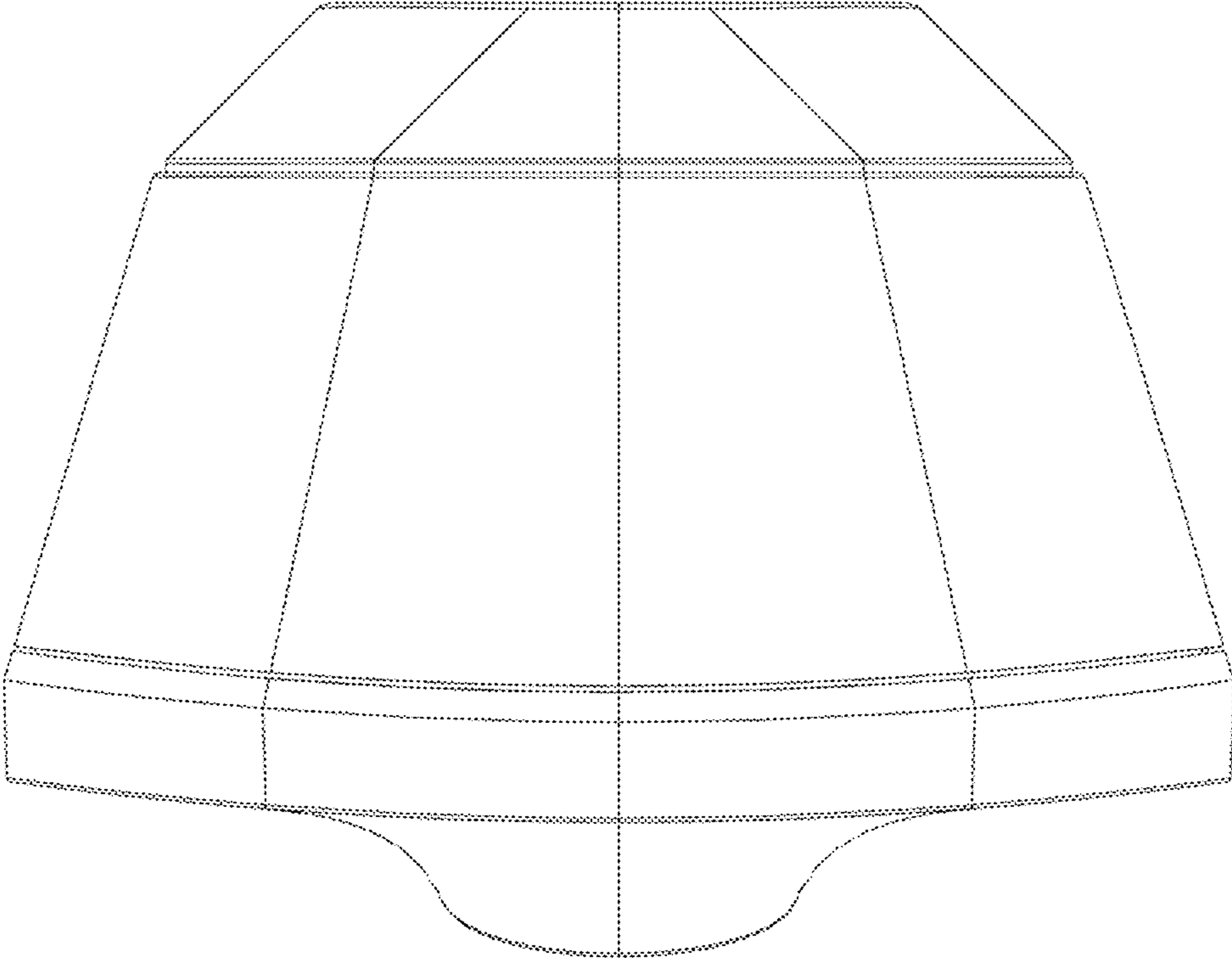


FIG. 2

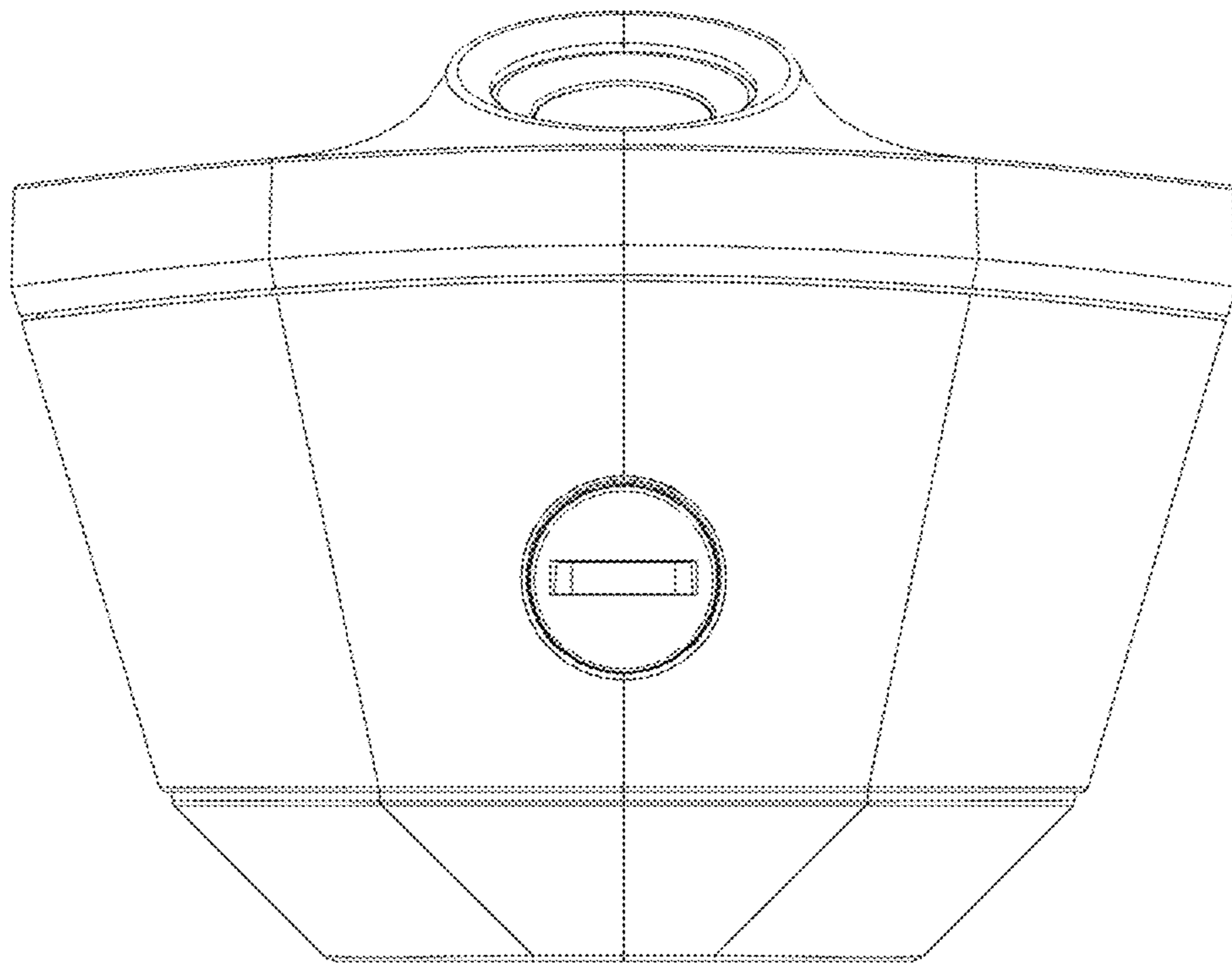


FIG. 3

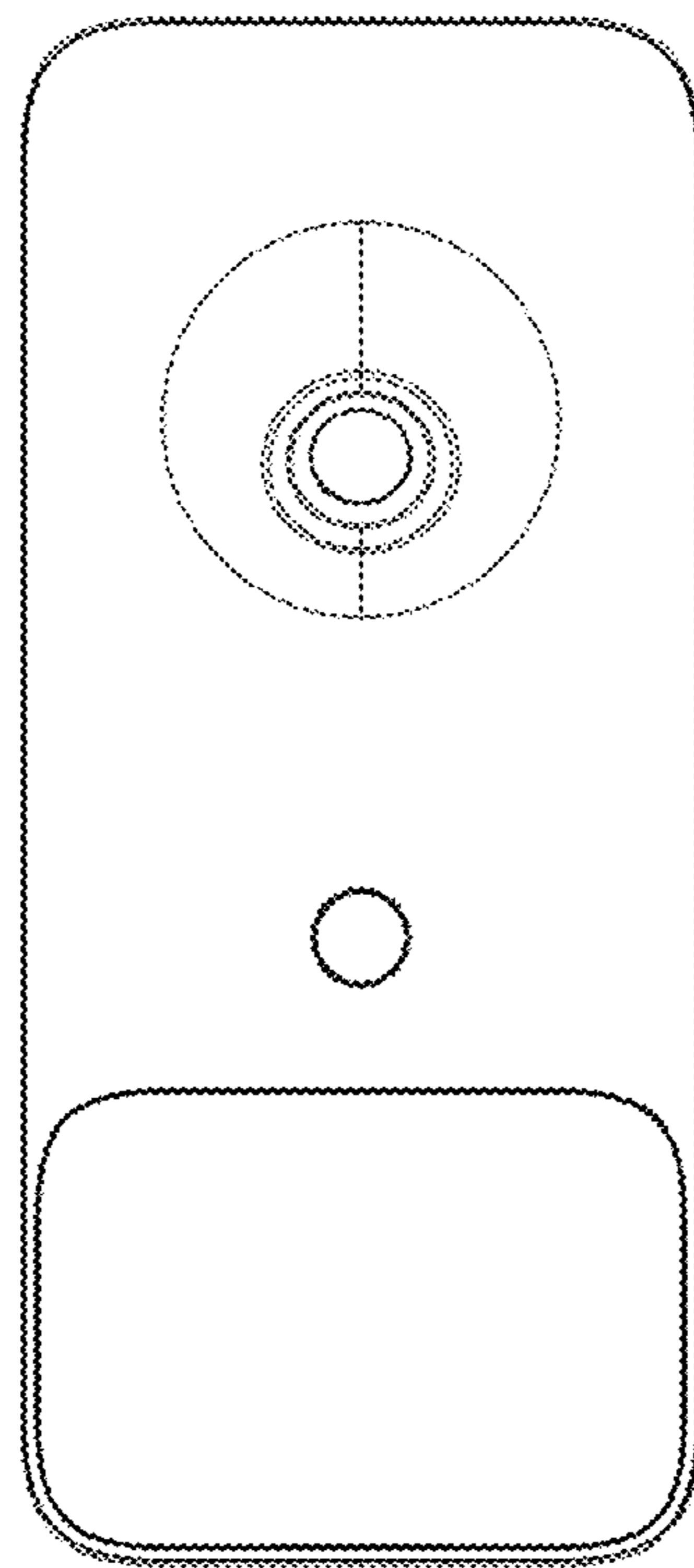


FIG. 4

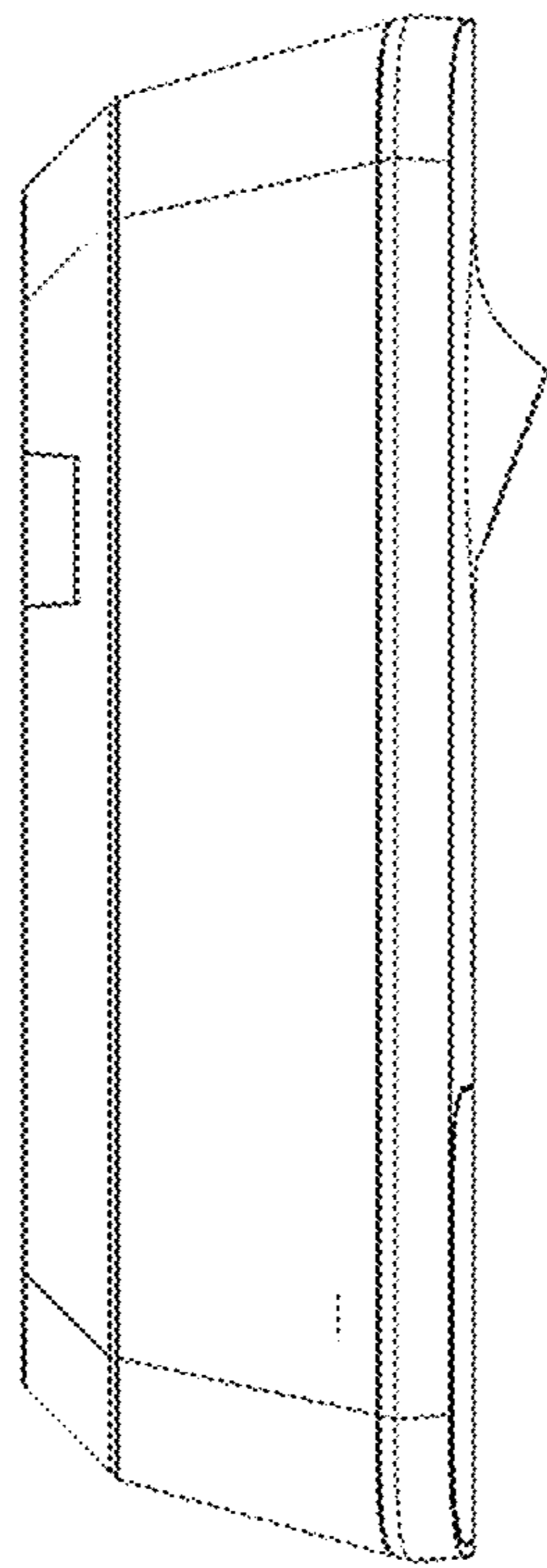


FIG. 5

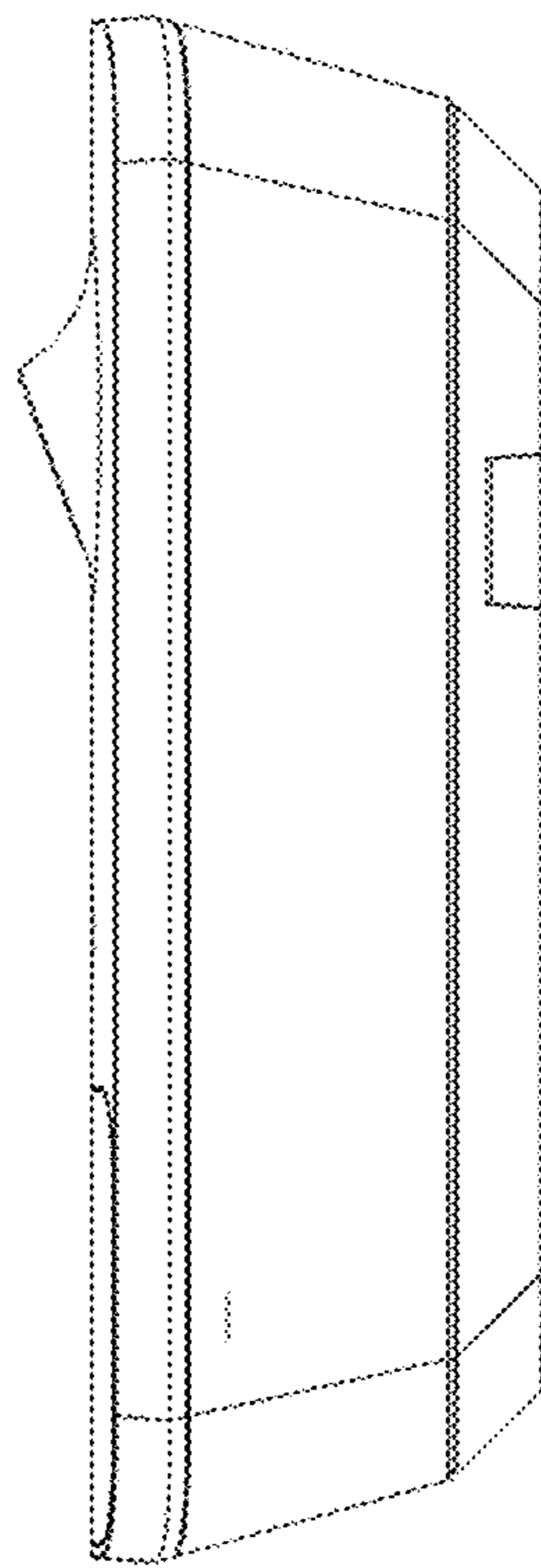


FIG. 6