



US00D858334S

(12) **United States Design Patent** (10) **Patent No.:** **US D858,334 S**  
**Stuart et al.** (45) **Date of Patent:** **\*\* Sep. 3, 2019**

(54) **IRRIGATION CONTROLLER**

(71) Applicant: **Orbit Irrigation Products, LLC**, North Salt Lake, UT (US)

(72) Inventors: **Ronald Matthew Stuart**, Clinton, UT (US); **Hugo Rodriguez**, Lake Oswego, OR (US)

(73) Assignee: **Orbit Irrigation Products, LLC**, North Salt Lake, UT (US)

(\*\*) Term: **15 Years**

(21) Appl. No.: **29/642,577**

(22) Filed: **Mar. 30, 2018**

(51) **LOC (12) Cl.** ..... **10-04**

(52) **U.S. Cl.**  
USPC ..... **D10/103; D13/173**

(58) **Field of Classification Search**

USPC ..... D10/40, 49, 50, 102, 103; D13/162, D13/162.1, 164, 168, 173, 177, 184; D23/246

CPC ..... B05B 12/02; G01F 11/30; G05D 11/00; F16K 31/02; A01G 25/16; A01G 25/162; A01G 25/165; A01G 27/003; A01G 27/008; Y10T 137/86389; Y10T 137/86397; Y10T 137/87877; Y10T 137/86461

See application file for complete search history.

(56) **References Cited**

**U.S. PATENT DOCUMENTS**

D559,708 S *	1/2008	Michael	.....	D10/40
D647,411 S *	10/2011	Barton	.....	D10/40
D657,263 S *	4/2012	Nies	.....	D10/40
D682,714 S *	5/2013	Barton	.....	D10/40
9,380,750 B2 *	7/2016	Wang	.....	A01G 25/165

(Continued)

**OTHER PUBLICATIONS**

Amazon, Rachio Smart Sprinkler Controller, WiFi, 8 Zone 2nd Generation, Works with Alexa, online catalog [online] [retrieved

Apr. 18, 2018], apparently published on or before Aug. 19, 2017, Retrieved from the Internet: <URL: <https://www.amazon.com/Rachio-Sprinkler-Controller-Generation-Amazon/dp/B01D1NMLJU>> (shown in attachment 1).

(Continued)

*Primary Examiner* — Antoine Duval Davis

(74) *Attorney, Agent, or Firm* — Austin Rapp

(57) **CLAIM**

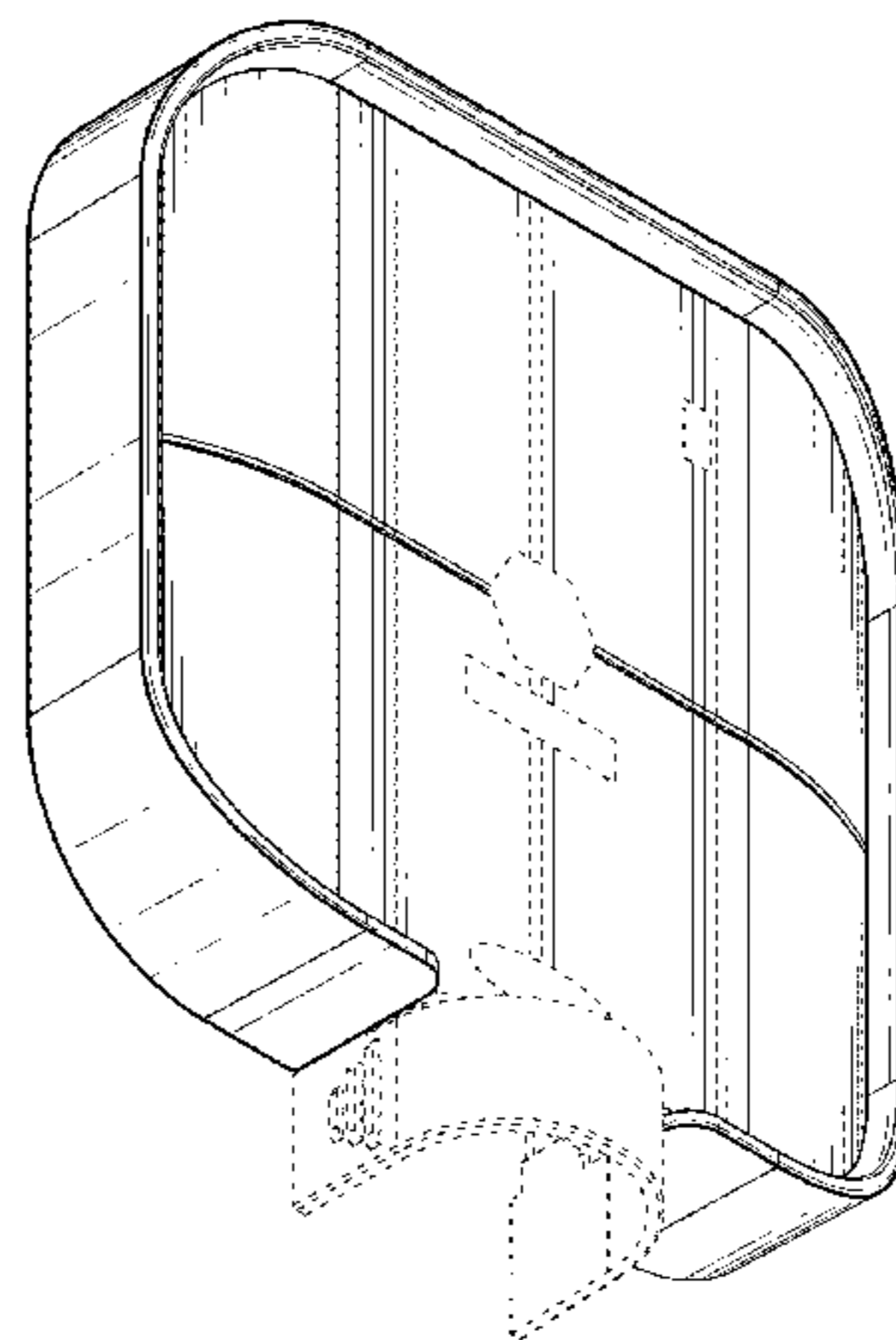
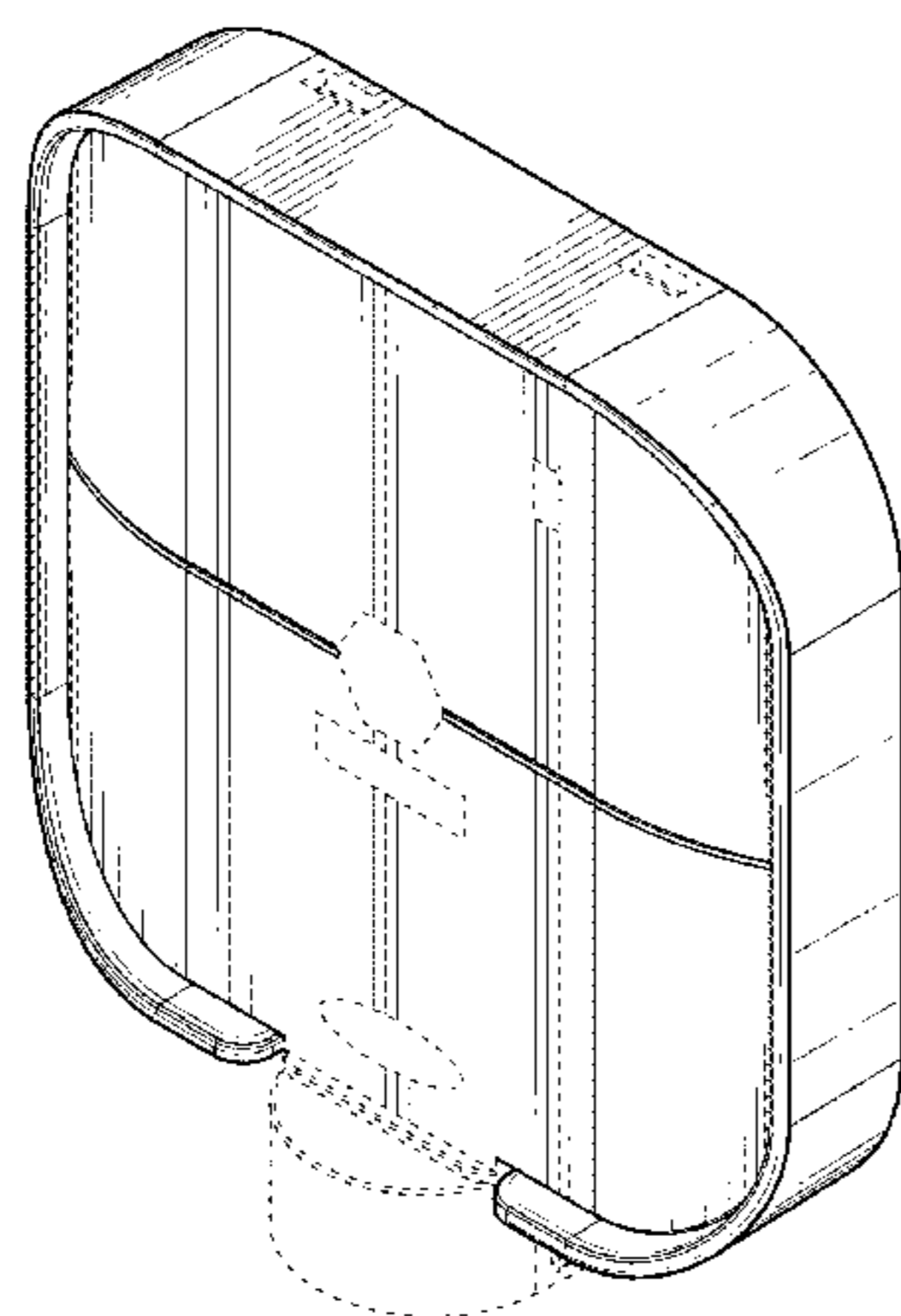
The ornamental design for an irrigation controller, as shown and described.

**DESCRIPTION**

FIG. 1 is a first top perspective view of an irrigation controller, according to our new design; FIG. 2 is a second top perspective view of the irrigation controller shown in FIG. 1; FIG. 3 is a first bottom perspective view of the irrigation controller shown in FIG. 1; FIG. 4 is a second bottom perspective view of the irrigation controller shown in FIG. 1; FIG. 5 is a left side elevational view of the irrigation controller shown in FIG. 1; FIG. 6 is a right side elevational view of the irrigation controller shown in FIG. 1; FIG. 7 is a front side elevational view of the irrigation controller shown in FIG. 1; FIG. 8 is a rear side elevational view of the irrigation controller shown in FIG. 1; FIG. 9 is a top view of the irrigation controller shown in FIG. 1; and, FIG. 10 is a bottom view of the irrigation controller shown in FIG. 1.

The broken lines shown in the figures are for the purpose of illustrating portions of the irrigation controller that form no part of the claimed design.

**1 Claim, 10 Drawing Sheets**



(56)

**References Cited**

U.S. PATENT DOCUMENTS

D810,700 S \* 2/2018 Jenkins ..... D13/162

OTHER PUBLICATIONS

Amazon, Spruce Irrigation 16 Zone Smart Wifi Controller (Gen 2), Compatible with Alexa, online catalog [online] [retrieved Apr. 18, 2018], apparently published on or before Jan. 5, 2018, Retrieved from the Internet: <URL: [https://www.amazon.com/dp/B075B3GZLX/ref=sspa\\_dk\\_detail\\_2?psc=1&pd\\_rd\\_i=B075B3GZLX&pd\\_rd\\_wg=fvXen&pd\\_rd\\_r=Z7CTPHV7ZQS4G54DCDAC&pd\\_rd\\_w=uNUOm](https://www.amazon.com/dp/B075B3GZLX/ref=sspa_dk_detail_2?psc=1&pd_rd_i=B075B3GZLX&pd_rd_wg=fvXen&pd_rd_r=Z7CTPHV7ZQS4G54DCDAC&pd_rd_w=uNUOm)> (shown in attachment 2).

Amazon, Netro Smart Sprinkler Controller, WiFi, Weather aware, Remote access, 6 Zone, Compatible with Alexa, online catalog [online] [retrieved Apr. 18, 2018], apparently published on or before Dec. 12, 2017, Retrieved from the Internet: <URL: [https://www.amazon.com/dp/B076CZ6DHR/ref=sspa\\_dk\\_detail\\_1?psc=1&pd\\_rd\\_i=B076CZ6DHR&pd\\_rd\\_wg=fvXen&pd\\_rd\\_r=Z7CTPHV7ZQS4G54DCDAC&pd\\_rd\\_w=uNUOm](https://www.amazon.com/dp/B076CZ6DHR/ref=sspa_dk_detail_1?psc=1&pd_rd_i=B076CZ6DHR&pd_rd_wg=fvXen&pd_rd_r=Z7CTPHV7ZQS4G54DCDAC&pd_rd_w=uNUOm)> (shown in attachment 3).

Amazon, RainMachine Mini-8, Cloud Independent, The Forecast Sprinkler, Wi-Fi Irrigation Controller, online catalog [online] [retrieved Apr. 18, 2018], apparently published on or before Dec. 27, 2015, Retrieved from the Internet: <URL: [https://www.amazon.com/RainMachine-Mini-8-Independent-Irrigation-Controller/dp/B00WQI65V2/ref=pd\\_day0\\_86\\_4encoding=UTF8&pd\\_rd\\_i=B00WQI65V2&pd\\_rd\\_r=Z7CTPHV7ZQS4G54DCDAC&pd\\_rd\\_w=3Fmig&pd\\_rd\\_wg=fvXen&psc=1&refRID=Z7CTPHV7ZQS4G54DCDAC](https://www.amazon.com/RainMachine-Mini-8-Independent-Irrigation-Controller/dp/B00WQI65V2/ref=pd_day0_86_4encoding=UTF8&pd_rd_i=B00WQI65V2&pd_rd_r=Z7CTPHV7ZQS4G54DCDAC&pd_rd_w=3Fmig&pd_rd_wg=fvXen&psc=1&refRID=Z7CTPHV7ZQS4G54DCDAC)> (shown in attachment 4).

Amazon, Lono Connected Smart Home Irrigation System with up to 20 Zones, online catalog [online] [retrieved Apr. 18, 2018], apparently published on or before Oct. 23, 2015, Retrieved from the Internet: <URL: <https://www.amazon.com/Lono-Connected-Smart-Irrigation-System/dp/B00UNELCXM>> (shown in attachment 5).

Amazon, Blossom 12 Zone Smart Watering Controller with WiFi + Powerline—Self-Scheduling Sprinkler Irrigation System, online catalog [online] [retrieved Apr. 18, 2018], apparently published on or before Apr. 30, 2015, Retrieved from the Internet: <URL: <https://www.amazon.com/Blossom-Smart-Watering-Controller-Powerline/dp/B00UNCT7KU>> (shown in attachment 6).

\* cited by examiner

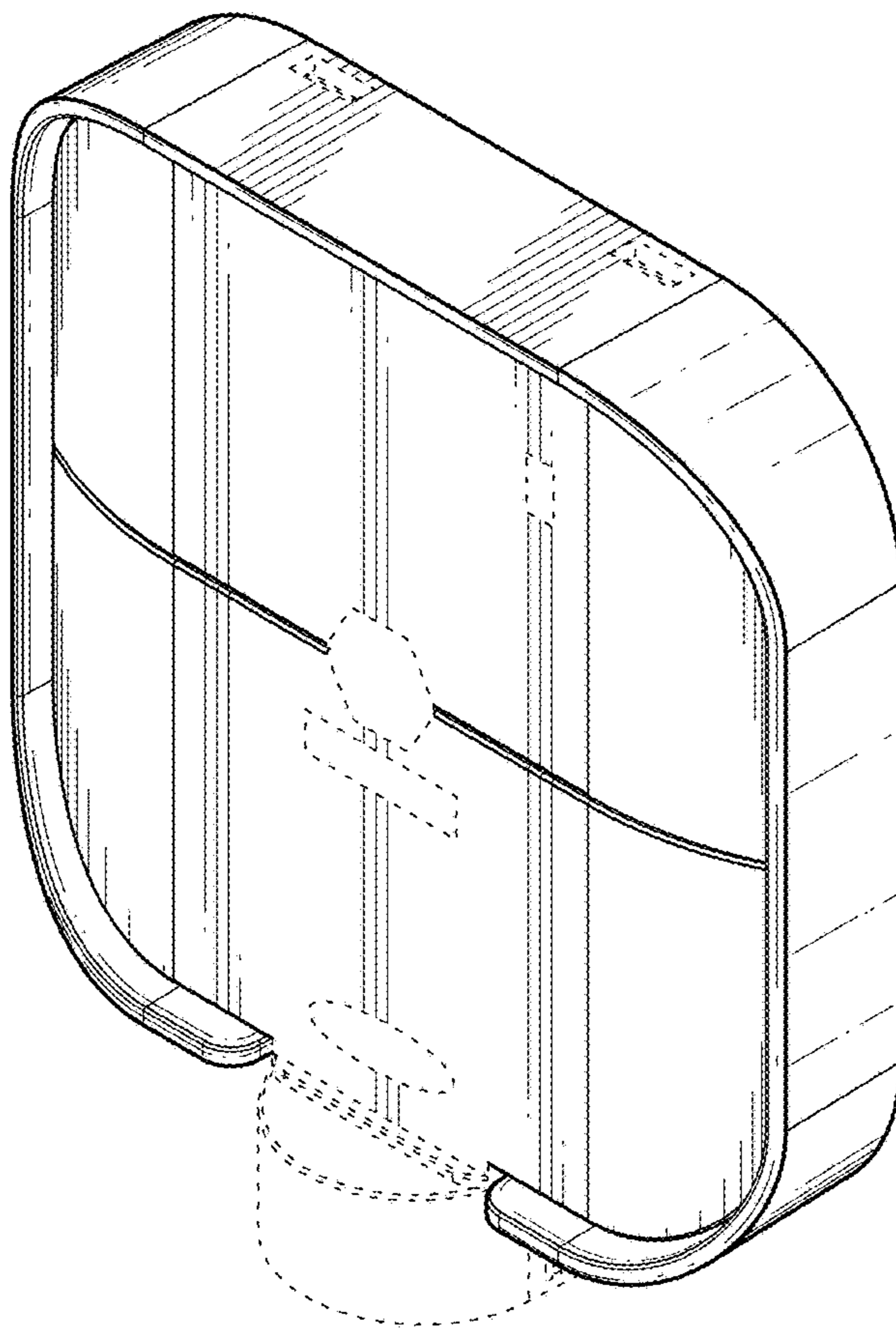


FIG. 1

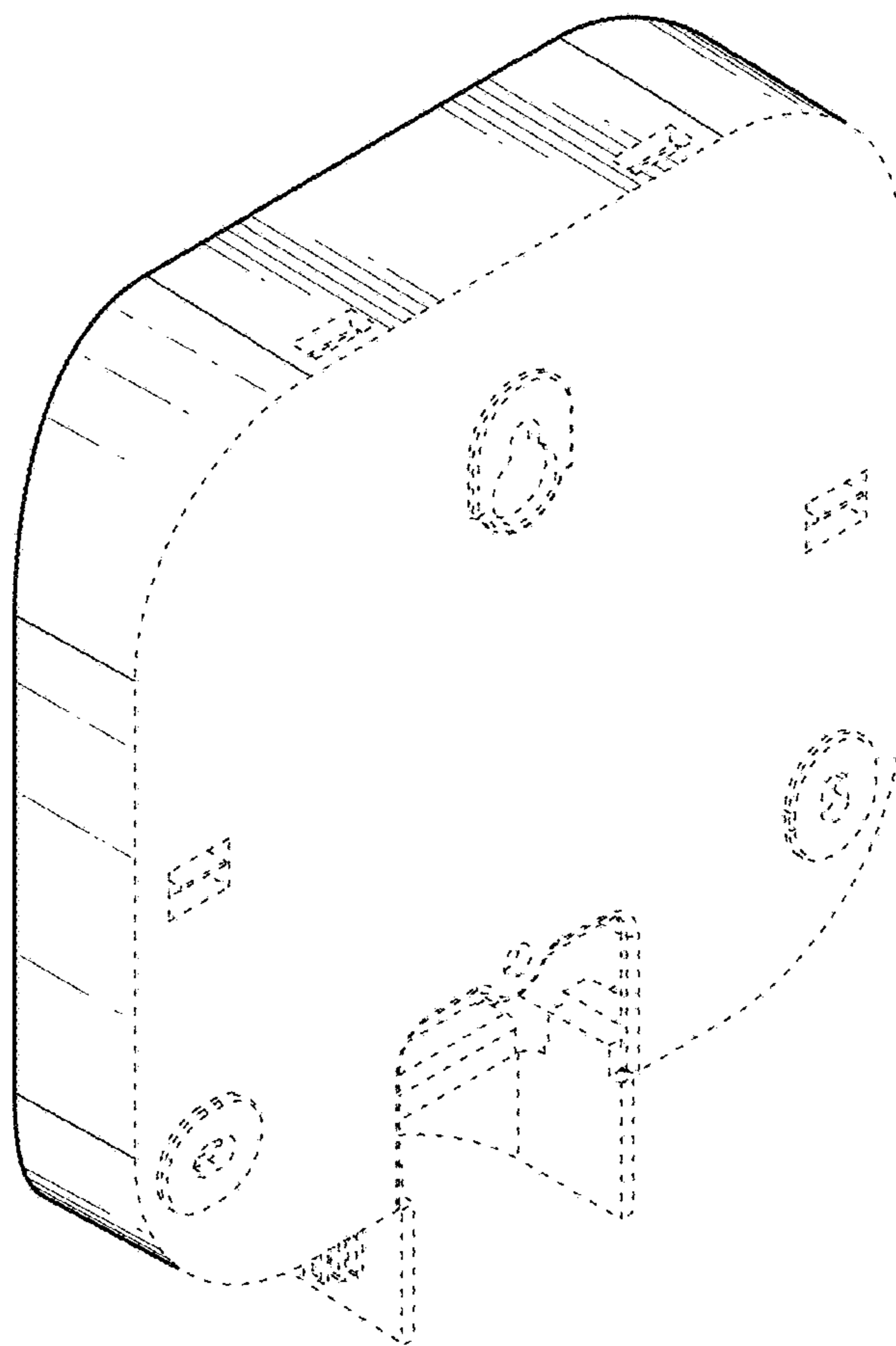


FIG. 2

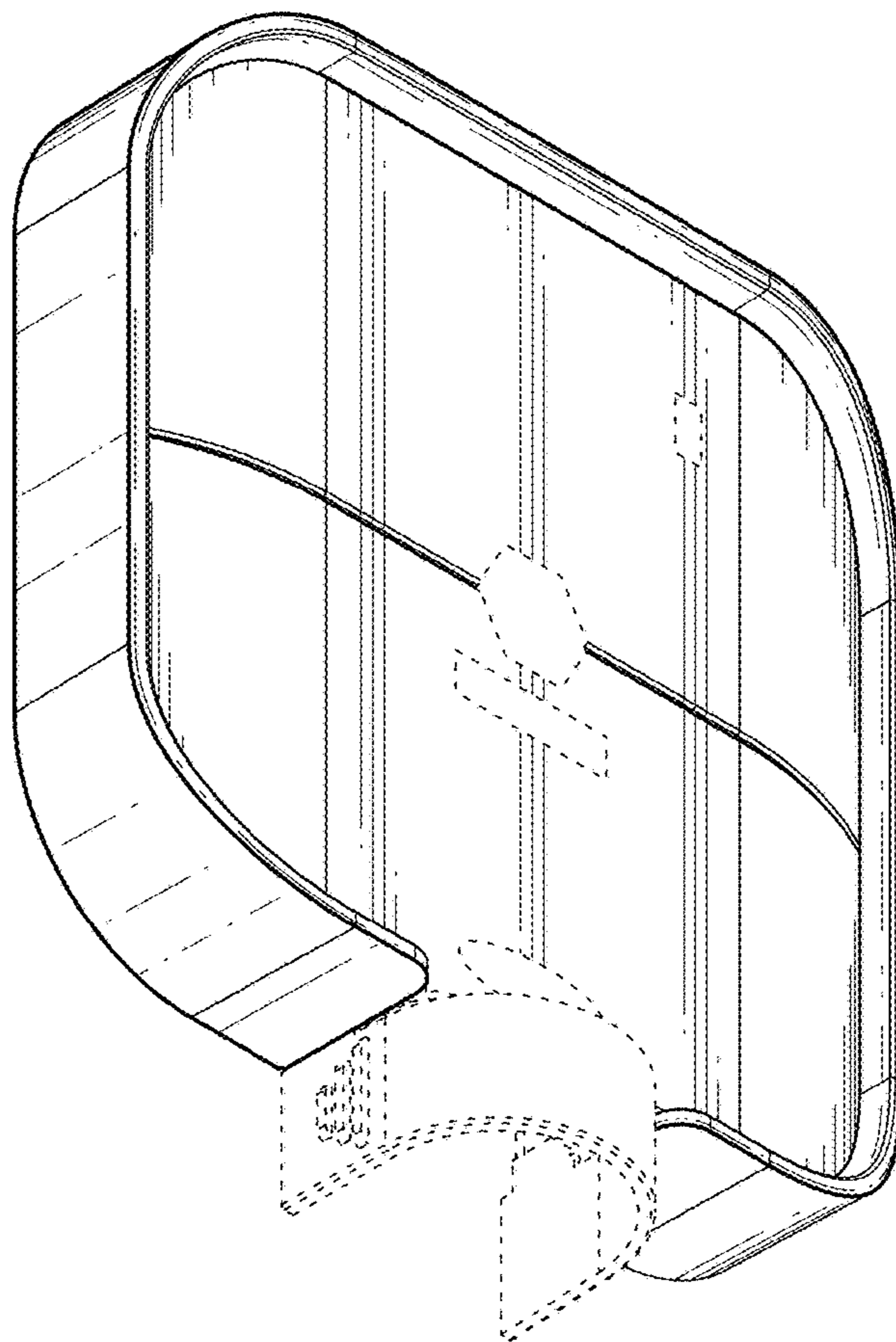


FIG. 3

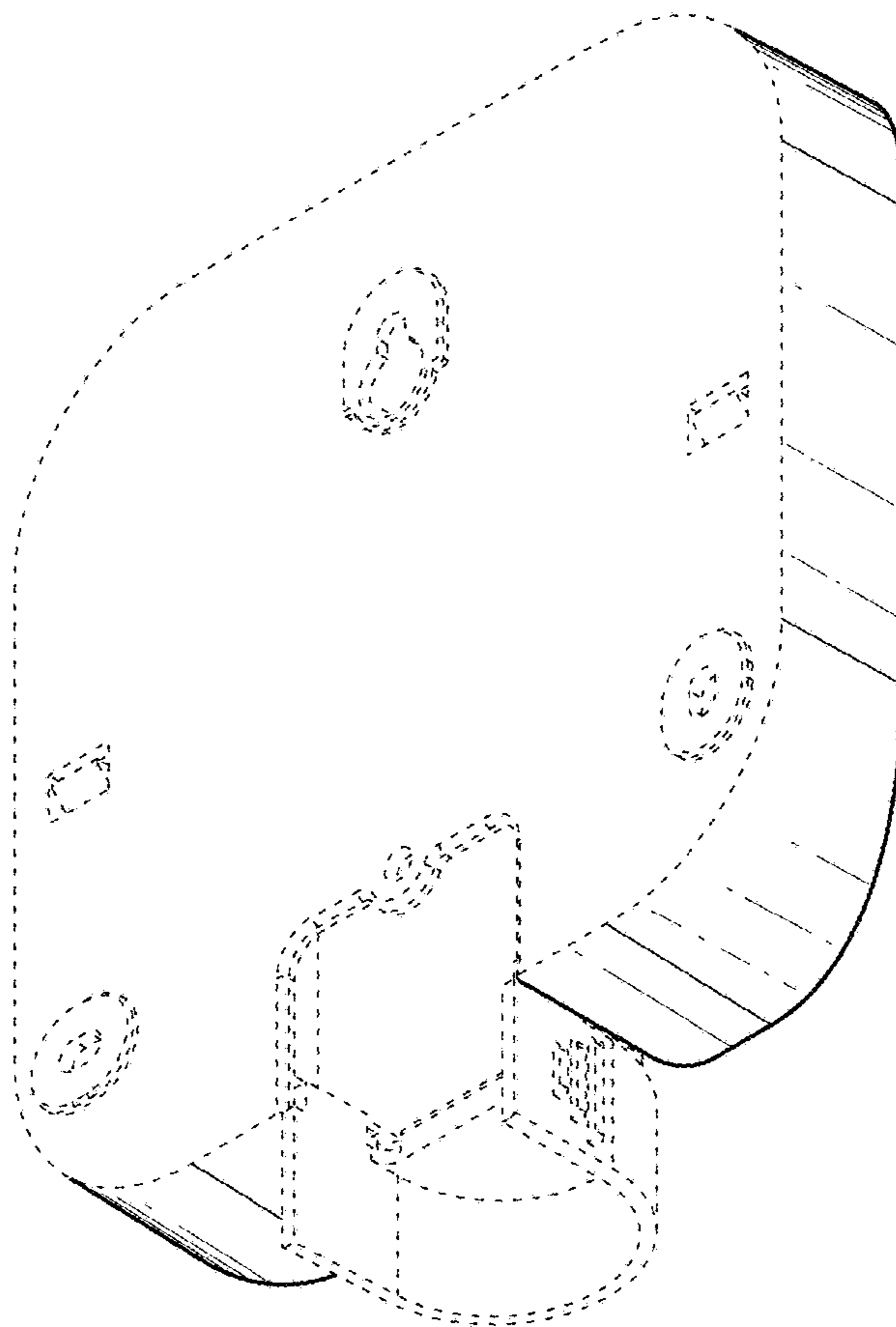


FIG. 4

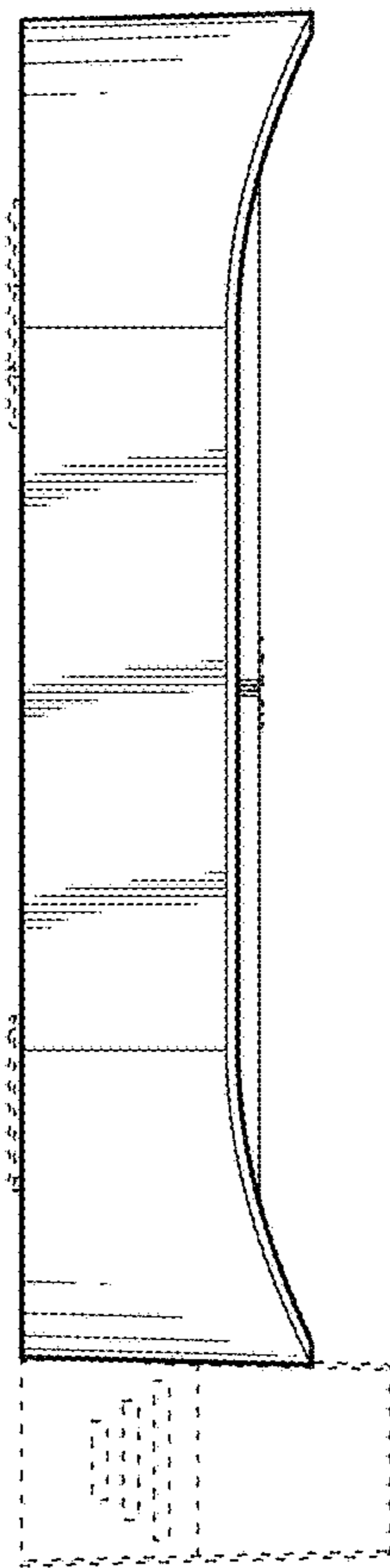


FIG. 5

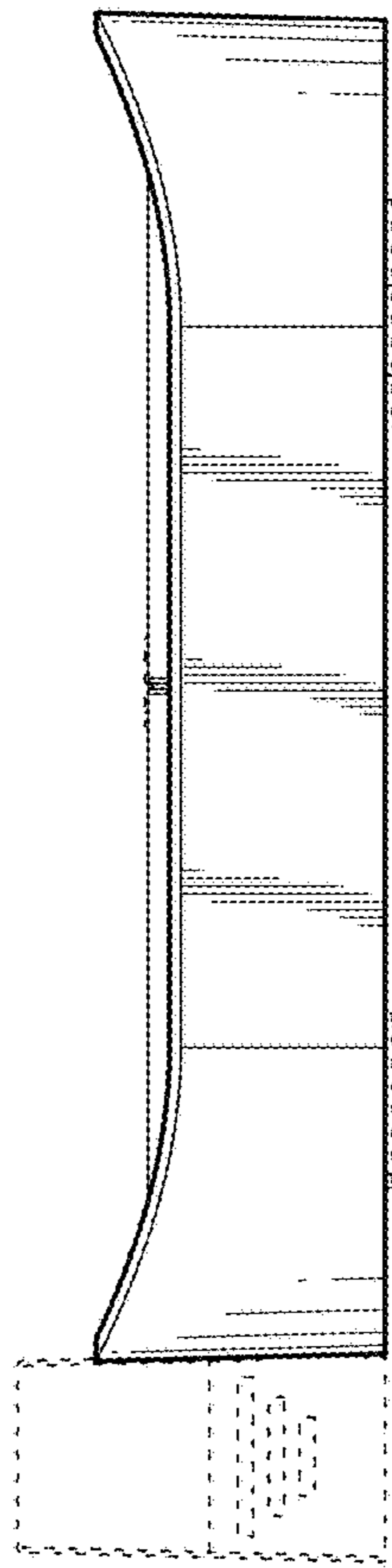


FIG. 6



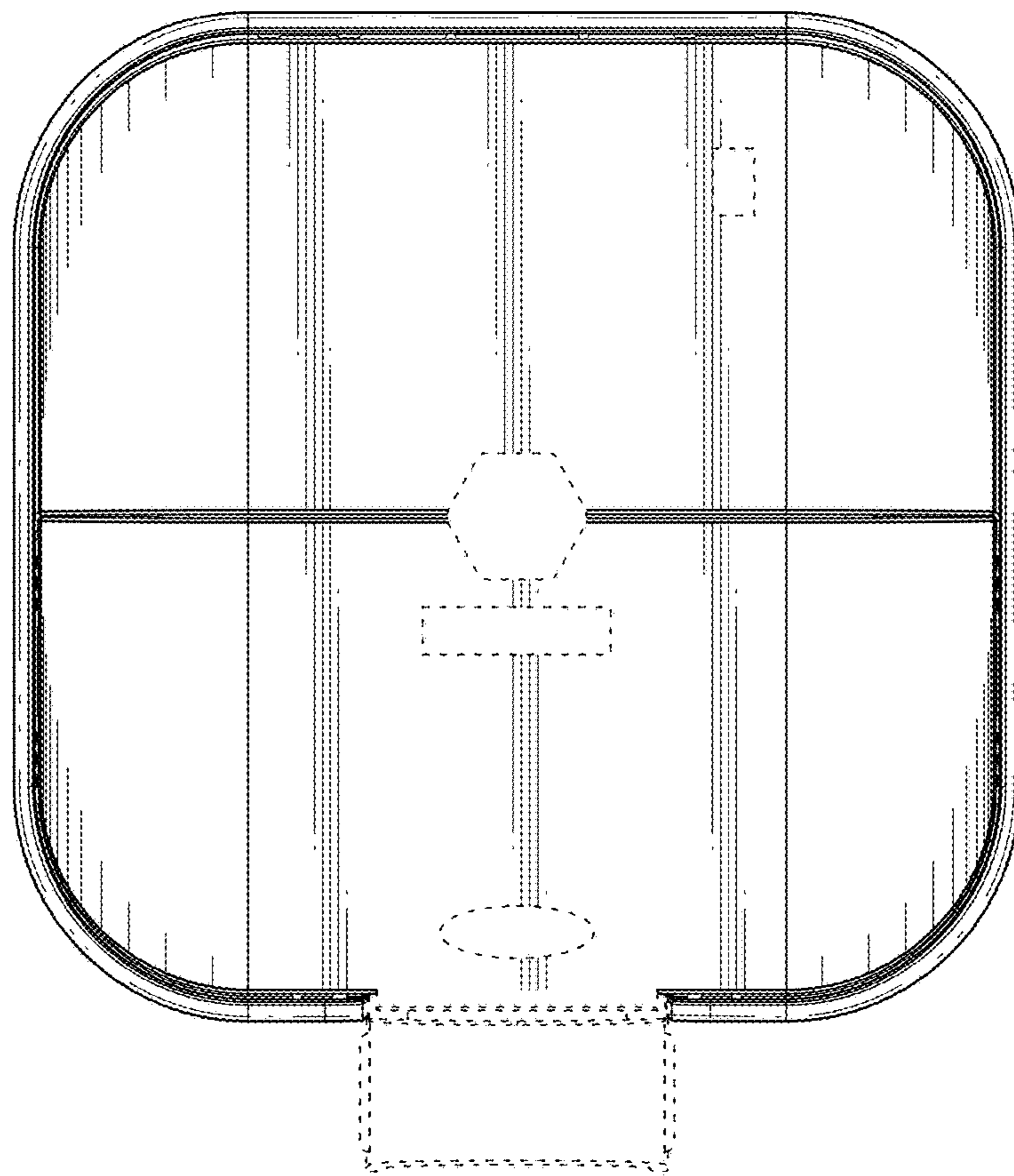


FIG. 7

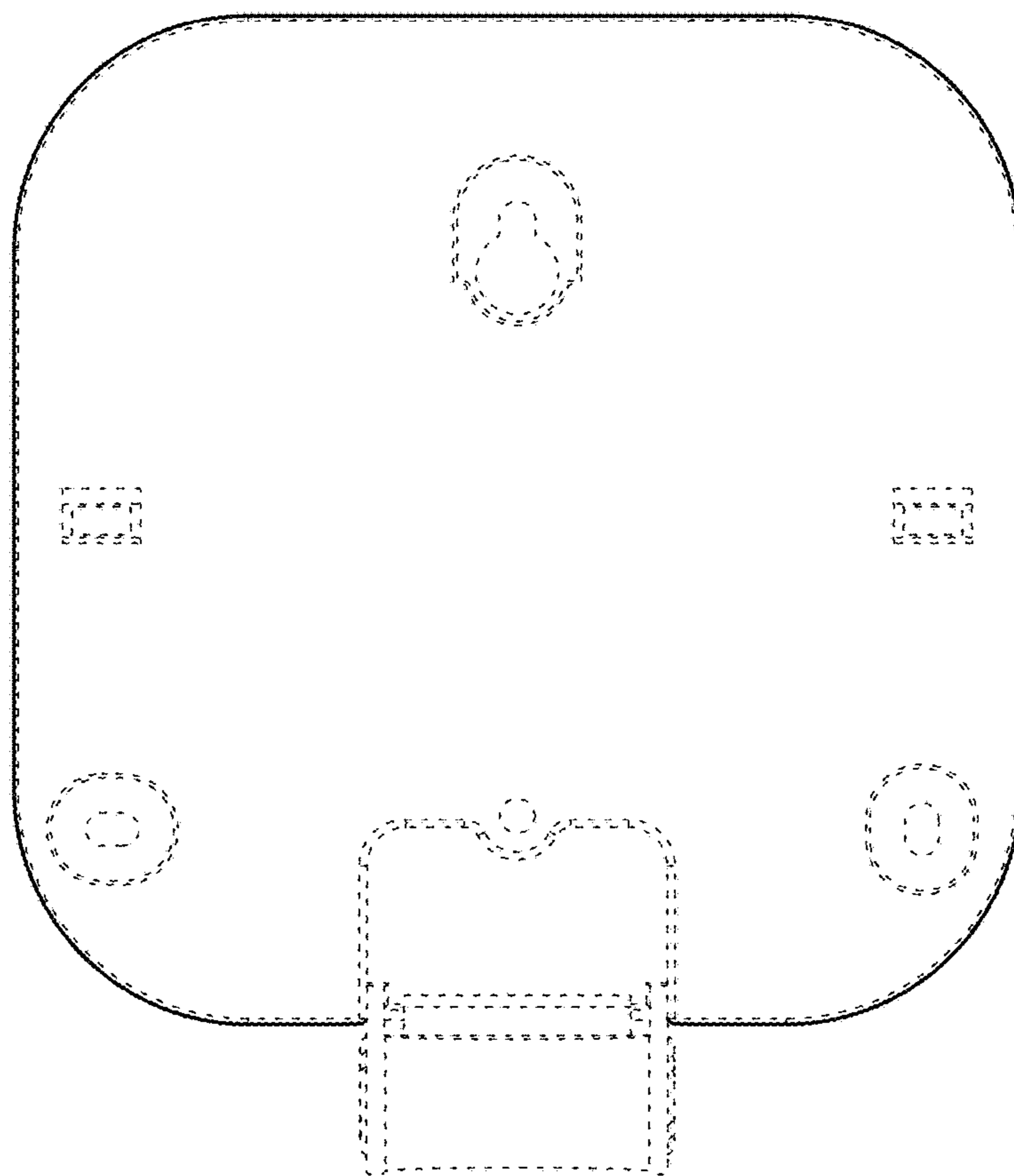
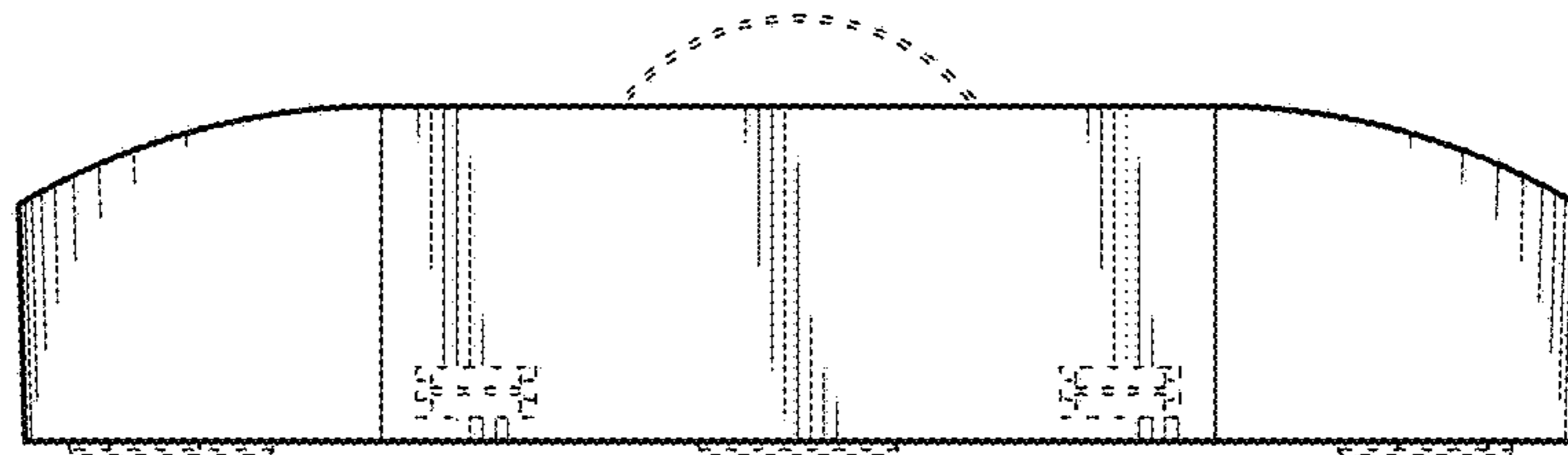
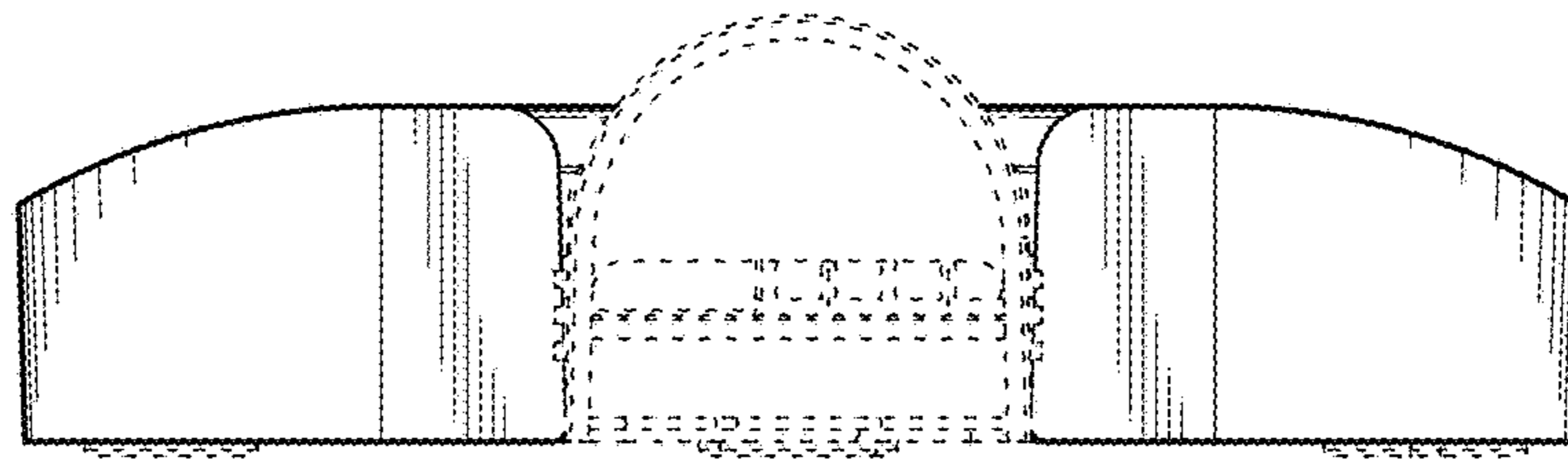


FIG. 8



**FIG. 9**



**FIG. 10**