



US00D858332S

(12) **United States Design Patent**
Rodriguez et al.

(10) **Patent No.:** **US D858,332 S**
(45) **Date of Patent:** **** Sep. 3, 2019**

- (54) **IRRIGATION CONTROLLER**
- (71) Applicant: **Orbit Irrigation Products, LLC**, North Salt Lake, UT (US)
- (72) Inventors: **Hugo Rodriguez**, Lake Oswego, OR (US); **Amy Marie Yamasaki**, Fruit Heights, UT (US)
- (73) Assignee: **Orbit Irrigation Products, LLC**, North Salt Lake, UT (US)
- (**) Term: **15 Years**
- (21) Appl. No.: **29/640,167**
- (22) Filed: **Mar. 12, 2018**
- (51) **LOC (12) Cl.** **10-04**
- (52) **U.S. Cl.**
USPC **D10/103; D13/173**
- (58) **Field of Classification Search**
USPC D10/40, 49, 50, 102, 103; D13/162, D13/162.1, 164, 168, 173, 177, 184; D23/246

(Continued)

(56) **References Cited**

U.S. PATENT DOCUMENTS

- D559,708 S * 1/2008 Michael D10/40
- D647,411 S * 10/2011 Barton D10/40

(Continued)

OTHER PUBLICATIONS

U.S. Appl. No. 29/640,145, filed Mar. 12, 2018, Rodriguez.

(Continued)

Primary Examiner — Antoine Duval Davis

(74) *Attorney, Agent, or Firm* — Austin Rapp

(57) **CLAIM**

The ornamental design for an irrigation controller, as shown and described.

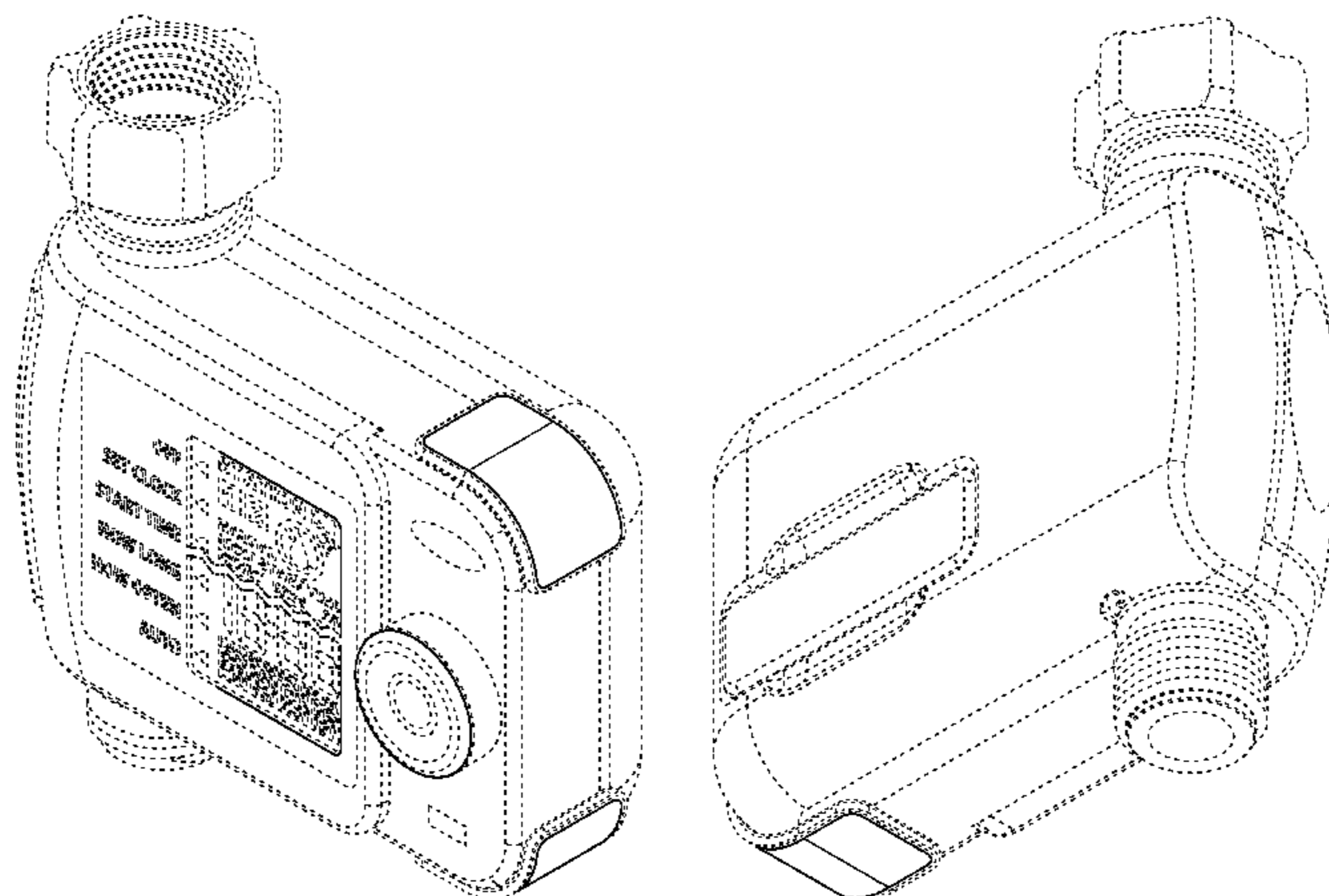
DESCRIPTION

FIG. 1 is a first top perspective view of a first embodiment of an irrigation controller, according to our new design;

FIG. 2 is a first bottom perspective view of the embodiment of the irrigation controller shown in FIG. 1;
 FIG. 3 is a second top perspective view of the embodiment of the irrigation controller shown in FIG. 1;
 FIG. 4 is a second bottom perspective view of the embodiment of the irrigation controller shown in FIG. 1;
 FIG. 5 is a left side elevational view of the embodiment of the irrigation controller shown in FIG. 1;
 FIG. 6 is a right side elevational view of the embodiment of the irrigation controller shown in FIG. 1;
 FIG. 7 is a front side elevational view of the embodiment of the irrigation controller shown in FIG. 1;
 FIG. 8 is a rear side elevational view of the embodiment of the irrigation controller shown in FIG. 1;
 FIG. 9 is a top view of the embodiment of the irrigation controller shown in FIG. 1;
 FIG. 10 is a bottom view of the embodiment of the irrigation controller shown in FIG. 1;
 FIG. 11 is a first top perspective view of a second embodiment of an irrigation controller, according to our new design;
 FIG. 12 is a first bottom perspective view of the embodiment of the irrigation controller shown in FIG. 11;
 FIG. 13 is a second top perspective view of the embodiment of the irrigation controller shown in FIG. 11;
 FIG. 14 is a second bottom perspective view of the embodiment of the irrigation controller shown in FIG. 11;
 FIG. 15 is a left side elevational view of the embodiment of the irrigation controller shown in FIG. 11;
 FIG. 16 is a right side elevational view of the embodiment of the irrigation controller shown in FIG. 11;
 FIG. 17 is a front side elevational view of the embodiment of the irrigation controller shown in FIG. 11;
 FIG. 18 is a rear side elevational view of the embodiment of the irrigation controller shown in FIG. 11;
 FIG. 19 is a top view of the embodiment of the irrigation controller shown in FIG. 11; and,
 FIG. 20 is a bottom view of the embodiment of the irrigation controller shown in FIG. 11.

The portions of the irrigation controller shown in broken lines form no part of the claimed design. In the first embodiment of the irrigation controller, the pair of closely adjacent, jagged dash-dot-dot broken lines in the drawings (shown in FIGS. 1, 2 and 7) comprise a symbolic break in its height. The appearance of any portion of the irrigation

(Continued)



controller between the jagged dash-dot-dot broken lines forms no part of the claimed design. The pair of jagged dash-dot-dot broken lines themselves form no part of the claimed design. Portions of the screen and screen perimeter between the jagged dash-dot-dot broken lines have been removed from FIGS. 1, 2, and 7 for clarity.

1 Claim, 20 Drawing Sheets

(58) **Field of Classification Search**

CPC B05B 12/02; G01F 11/30; G05D 11/00;
 F16K 31/02; A01G 25/16; A01G 25/162;
 A01G 25/165; A01G 27/003; A01G
 27/008; Y10T 137/86389; Y10T
 137/87877; Y10T 137/86461; Y10T
 137/86397

See application file for complete search history.

(56) **References Cited**

U.S. PATENT DOCUMENTS

D657,263	S	*	4/2012	Nies	D10/40
D658,519	S		5/2012	Connolly	
D659,029	S		5/2012	Connolly	
D682,714	S	*	5/2013	Barton	D10/40
D713,271	S		9/2014	Ericksen	
9,380,750	B2	*	7/2016	Wang	A01G 25/165
D778,738	S		2/2017	Ericksen	
D779,343	S		2/2017	Ericksen	
D781,160	S		3/2017	Ericksen	
D782,340	S		3/2017	Ericksen	
D787,955	S		5/2017	Ericksen	
D810,700	S	*	2/2018	Jenkins	D13/162

OTHER PUBLICATIONS

U.S. Appl. No. 29/640,175, filed Mar. 12, 2018, Rodriguez.
 U.S. Appl. No. 29/640,179, filed Mar. 12, 2018, Rodriguez.
 Orbit Irrigation Products, Inc., The product(s) shown in attachment 1 were sold or offered for sale by Orbit Irrigation Products, Inc., on or before Nov. 2008.

Robert Bosch Tool Corporation, The product(s) shown in attachment 2 were sold or offered for sale by Robert Bosch Tool Corporation under the brand name Nelson on or before Mar. 19, 2013.

Melnor, Inc., The product(s) shown in attachment 3 were sold or offered for sale by Melnor, Inc., on or before Mar. 19, 2013.

Rain Bird Corporation, The product(s) shown in attachment 4 was sold or offered for sale by Rain Bird Corporation at least by Mar. 19, 2012.

Orbit Irrigation Products, Inc., The product(s) shown in attachment 5 were sold or offered for sale by Orbit Irrigation Products, Inc., at least by Mar. 19, 2012.

Orbit Irrigation Products, Inc., The product(s) shown in attachment 6 was sold or offered for sale by Orbit Irrigation Products, Inc., at least by Mar. 19, 2012.

Orbit Irrigation Products, Inc., Lowe's Hose End 2014 Product Review, the items shown in Attachment 7 were disclosed and/or offered sale in a private meeting on Jun. 11, 2013.

Orbit Irrigation Products, Inc., Product No. 56544 2-Outlet Hose Faucet Timer, online catalog, apparently published on or before Apr. 28, 2015, Retrieved from the Internet Apr. 20, 2016 <URL: <http://www.homedepot.com/p/Orbit-2-Outlet-Hose-Faucet-Timer-56544/205585024>> (shown in attachment 8).

Orbit Irrigation Products, Inc., Hose Faucet Timers, Product Nos. 24695 and 24723 the items shown in Attachment 9 were disclosed and/or offered sale in a private meeting on Mar. 13, 2013.

Notice of Allowance and Fee(s) Due (including a Notice of Allowability for a Design Application section, and an examiner's amendment to the record section), U.S. Appl. No. 29/640,145, dated Apr. 11, 2019 (shown in attachment 10).

Notice of Allowance and Fee(s) Due (including a Notice of Allowability for a Design Application section, and an examiner's amendment to the record section), U.S. Appl. No. 29/640,145, dated May 1, 2019 (shown in attachment 11).

Notice of Allowance and Fee(s) Due (including a Notice of Allowability for a Design Application section, and an examiner's amendment section), U.S. Appl. No. 29/640,175, dated Feb. 26, 2019 (shown in attachment 12).

Notice of Allowance and Fee(s) Due (including a Notice of Allowability for a Design Application section), U.S. Appl. No. 29/640,179, dated Apr. 11, 2019 (shown in attachment 13).

* cited by examiner

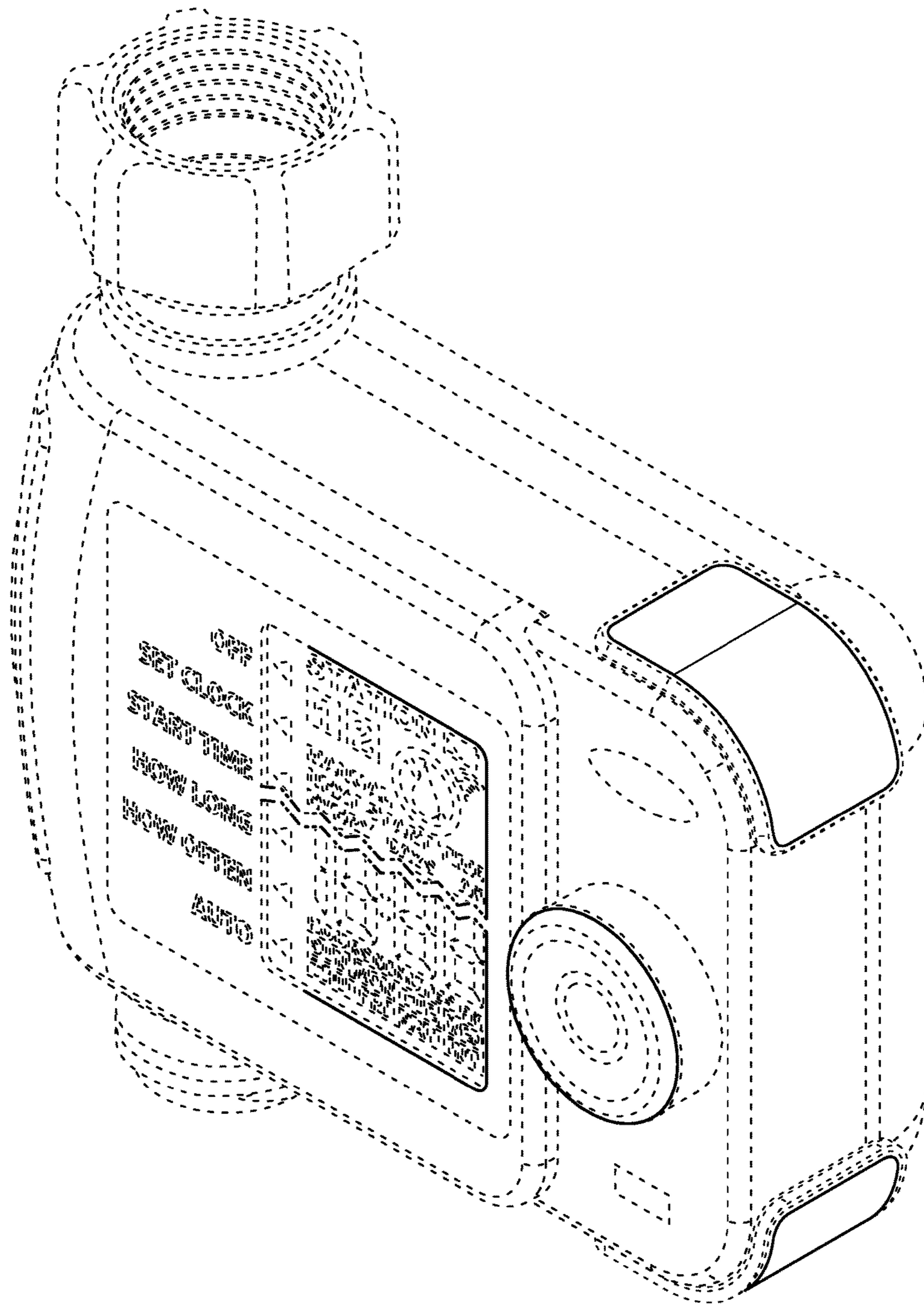


FIG. 1

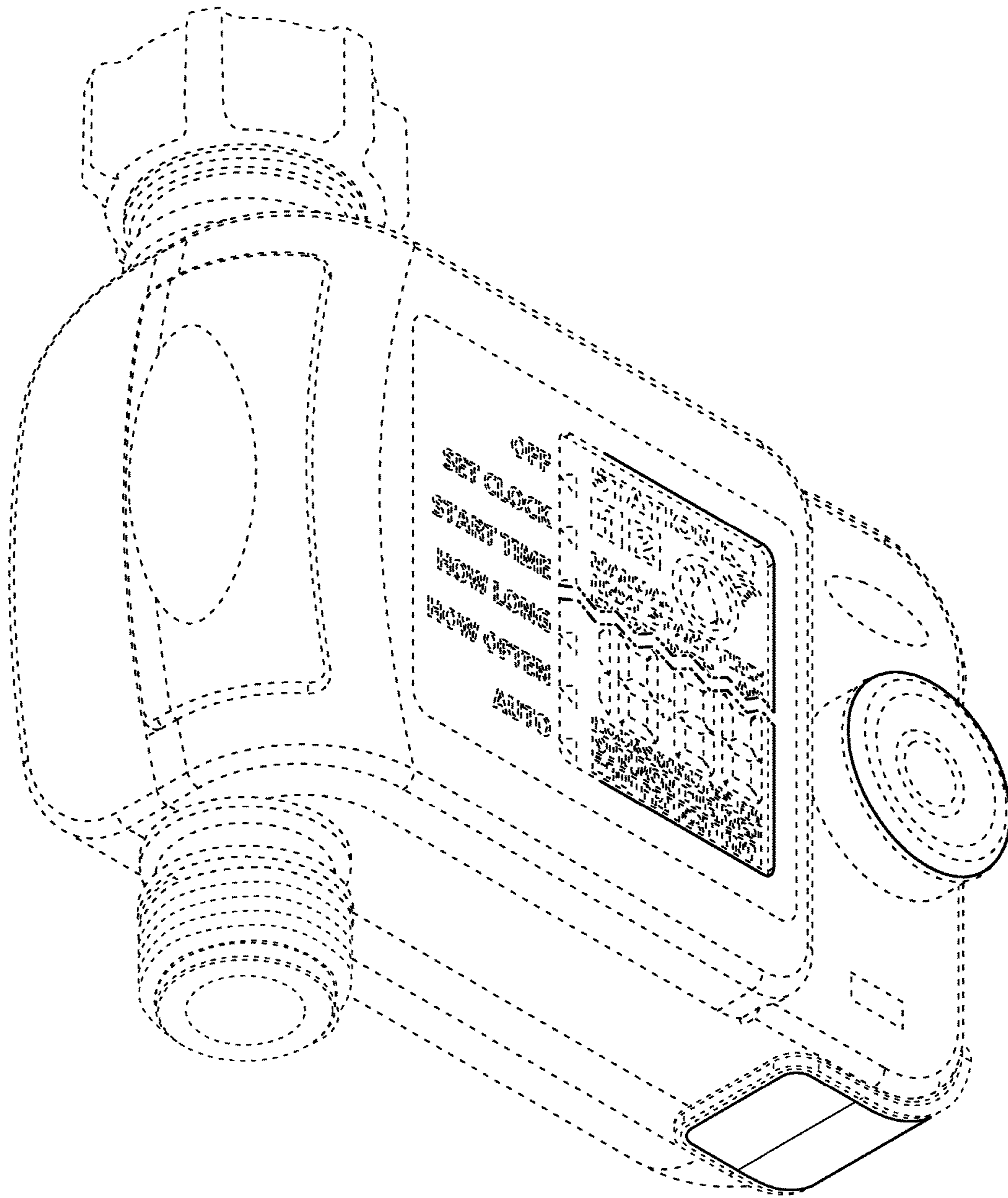


FIG. 2

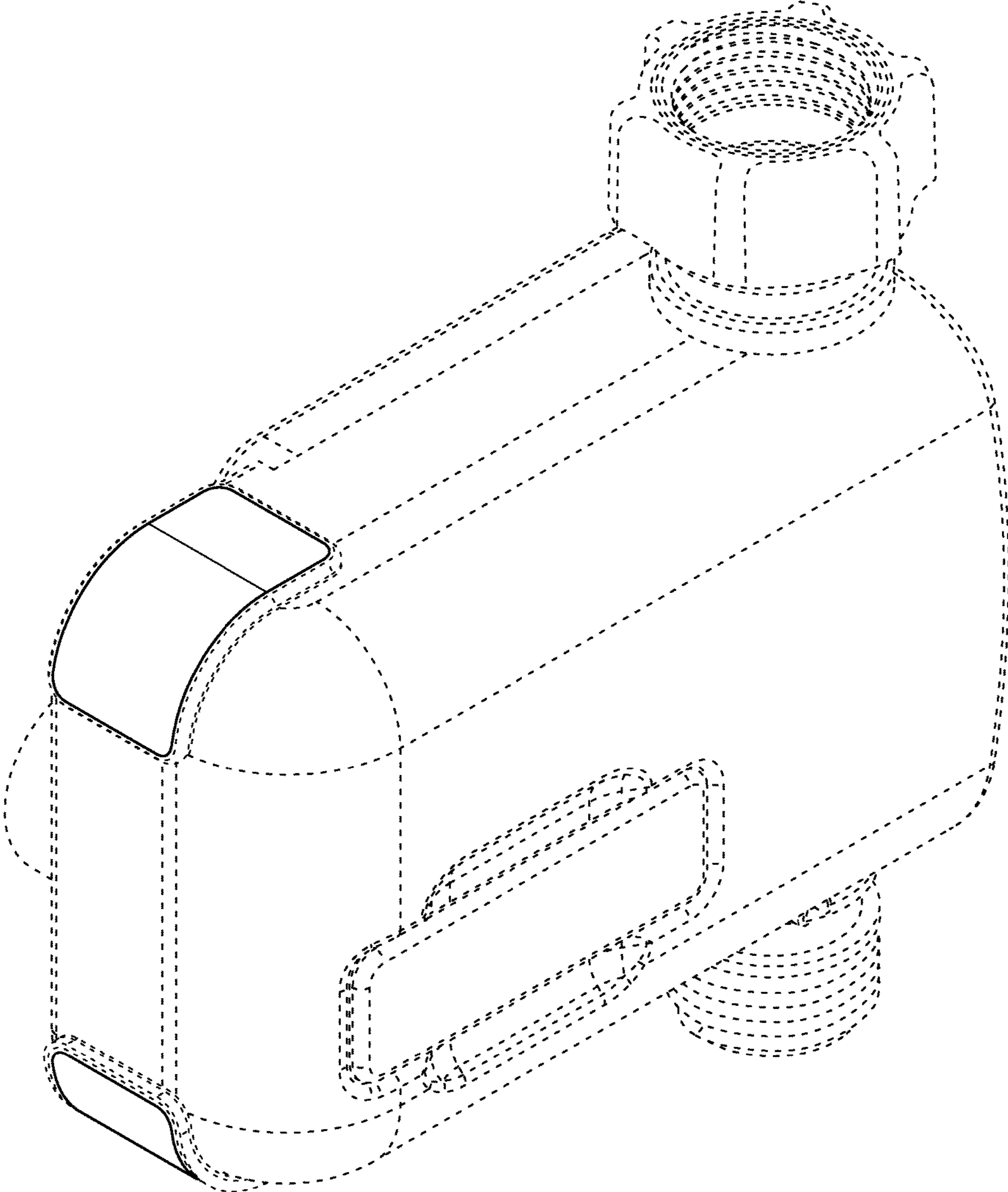


FIG. 3

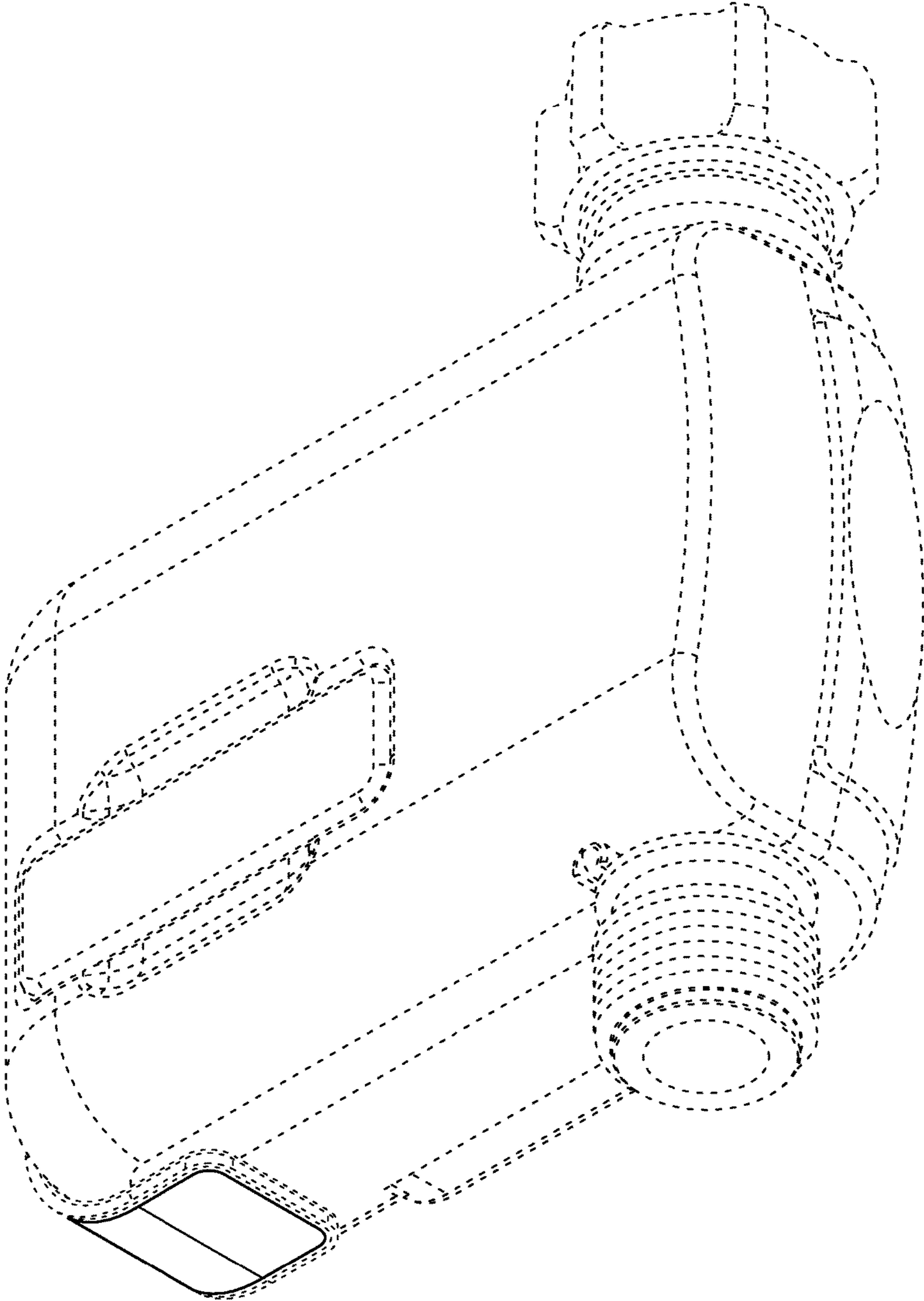


FIG. 4

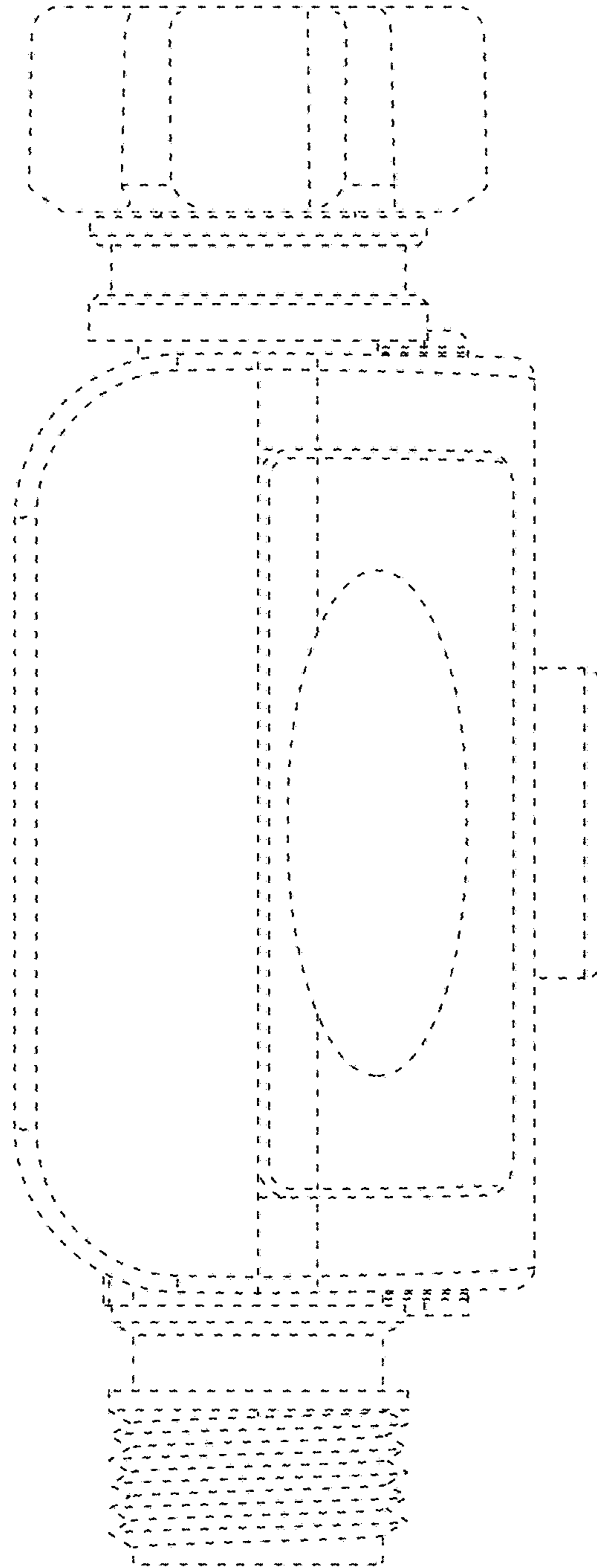


FIG. 5

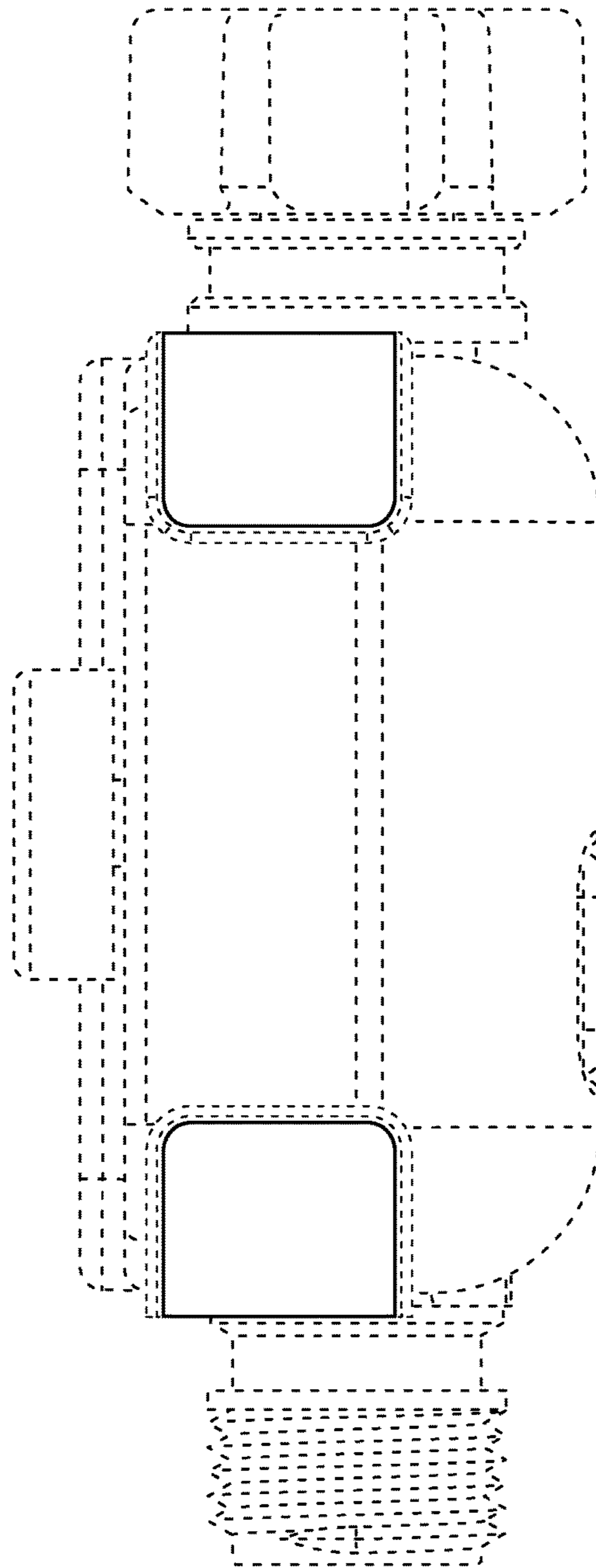


FIG. 6

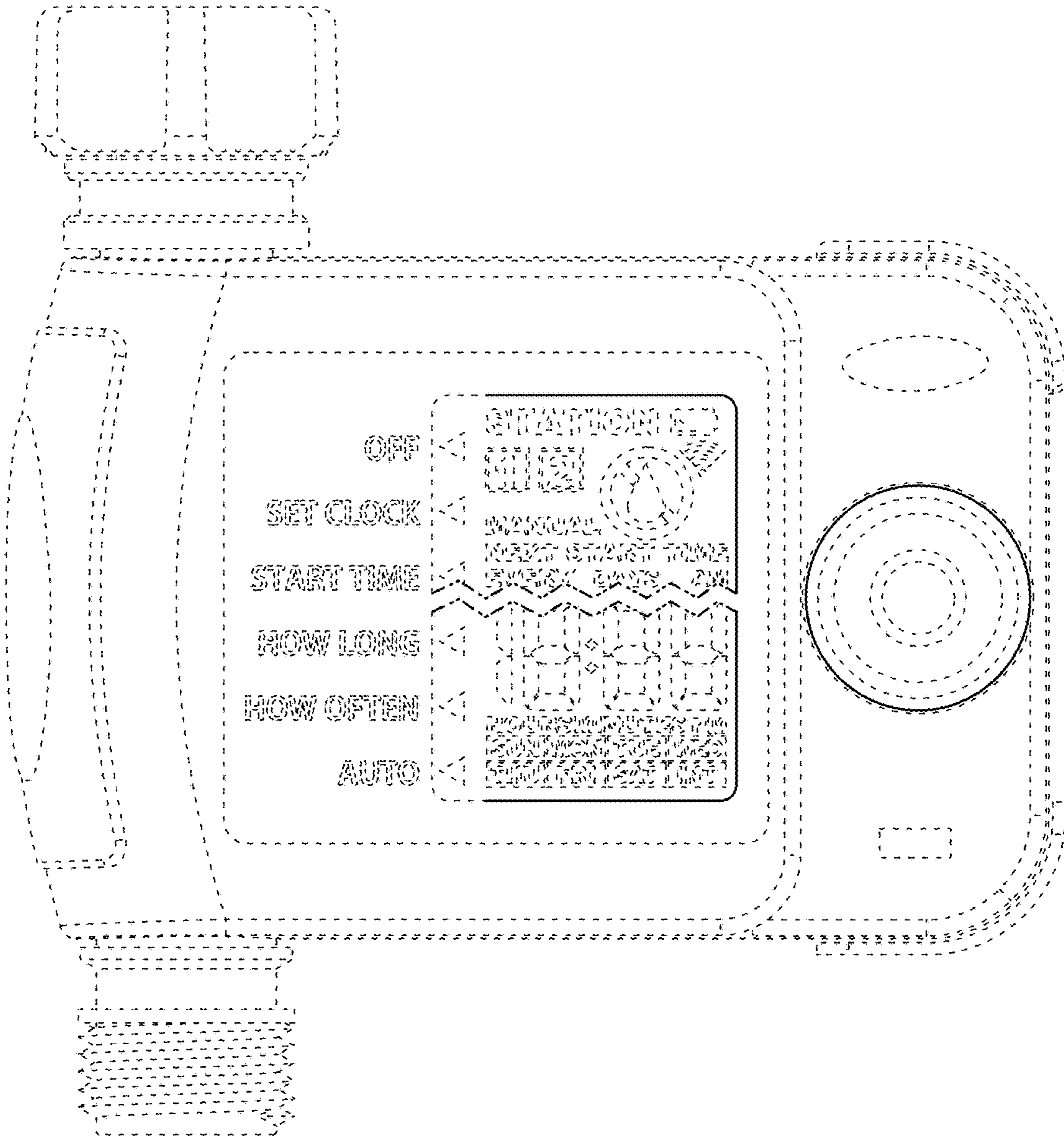


FIG. 7

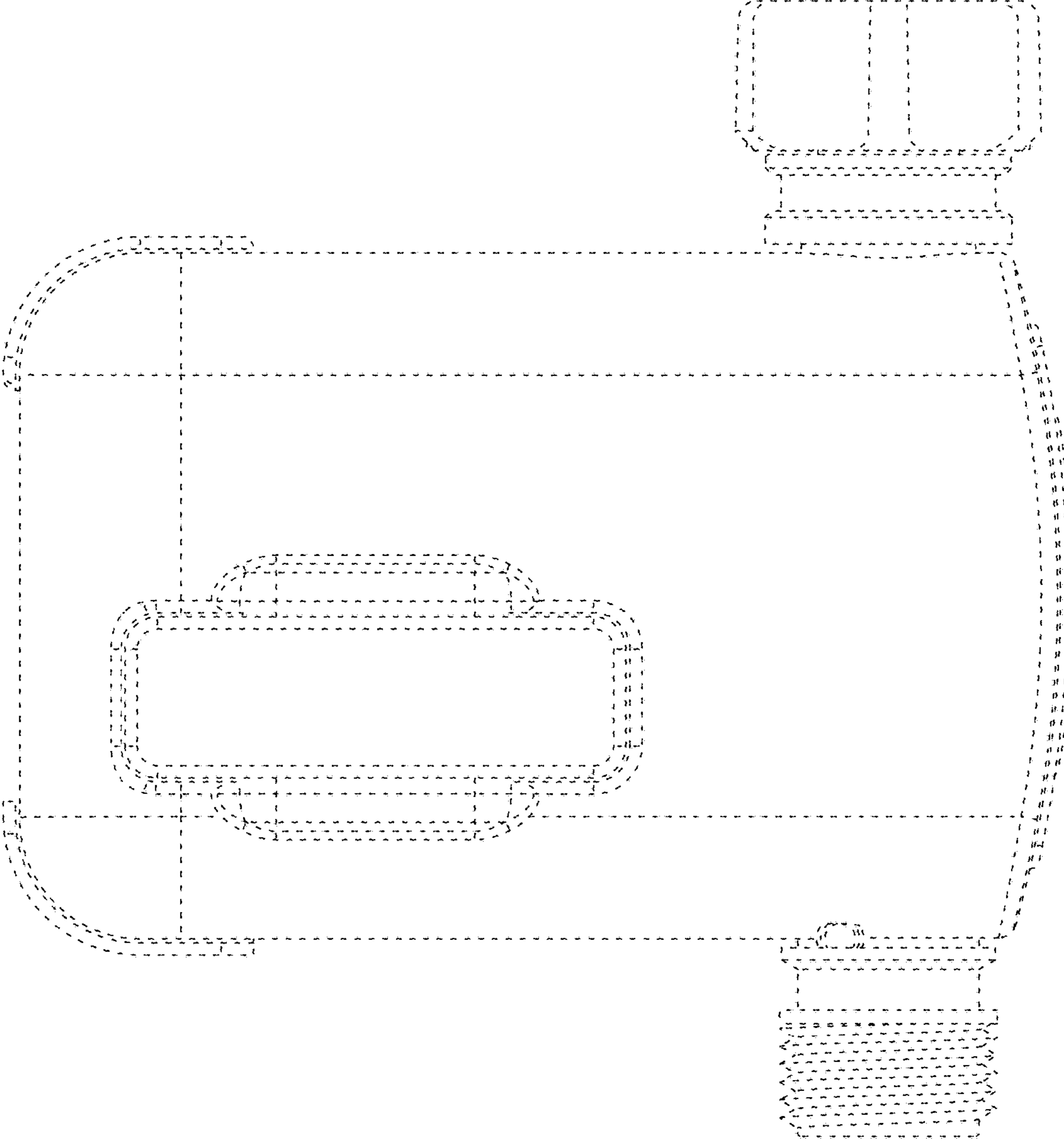


FIG. 8

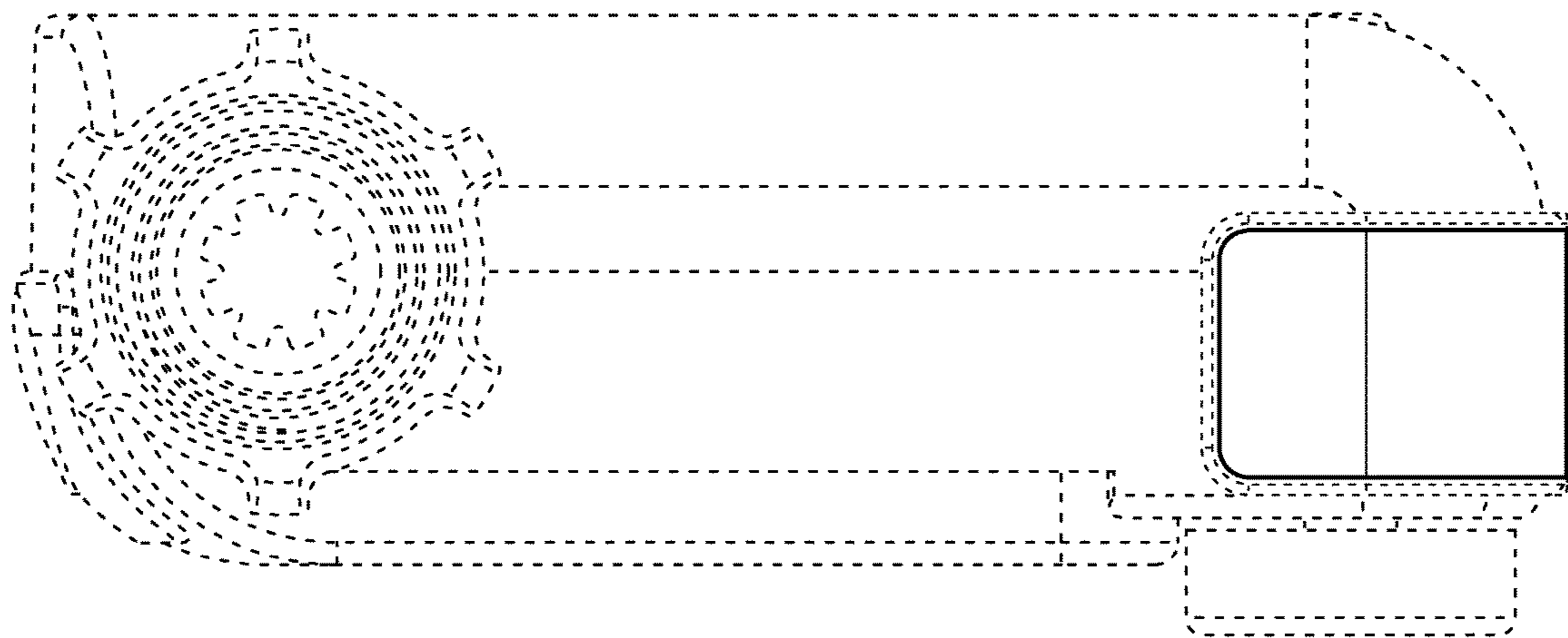


FIG. 9

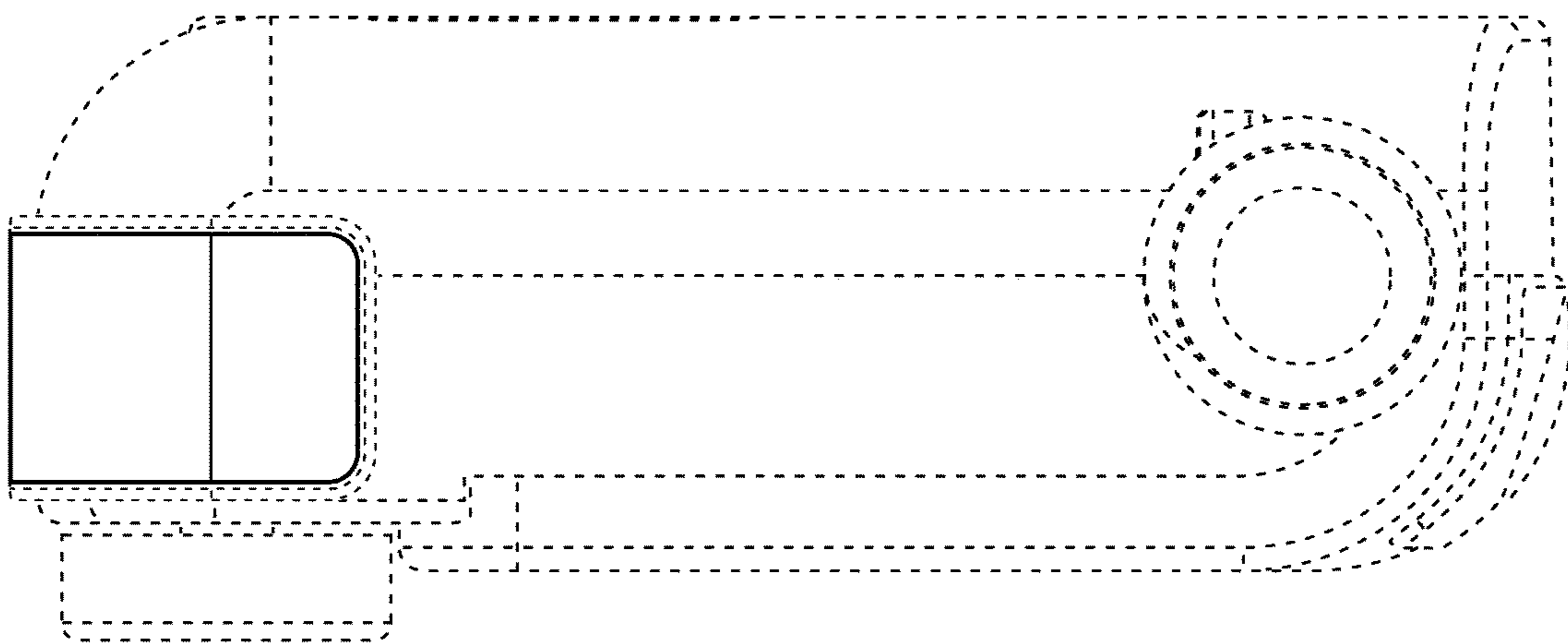


FIG. 10

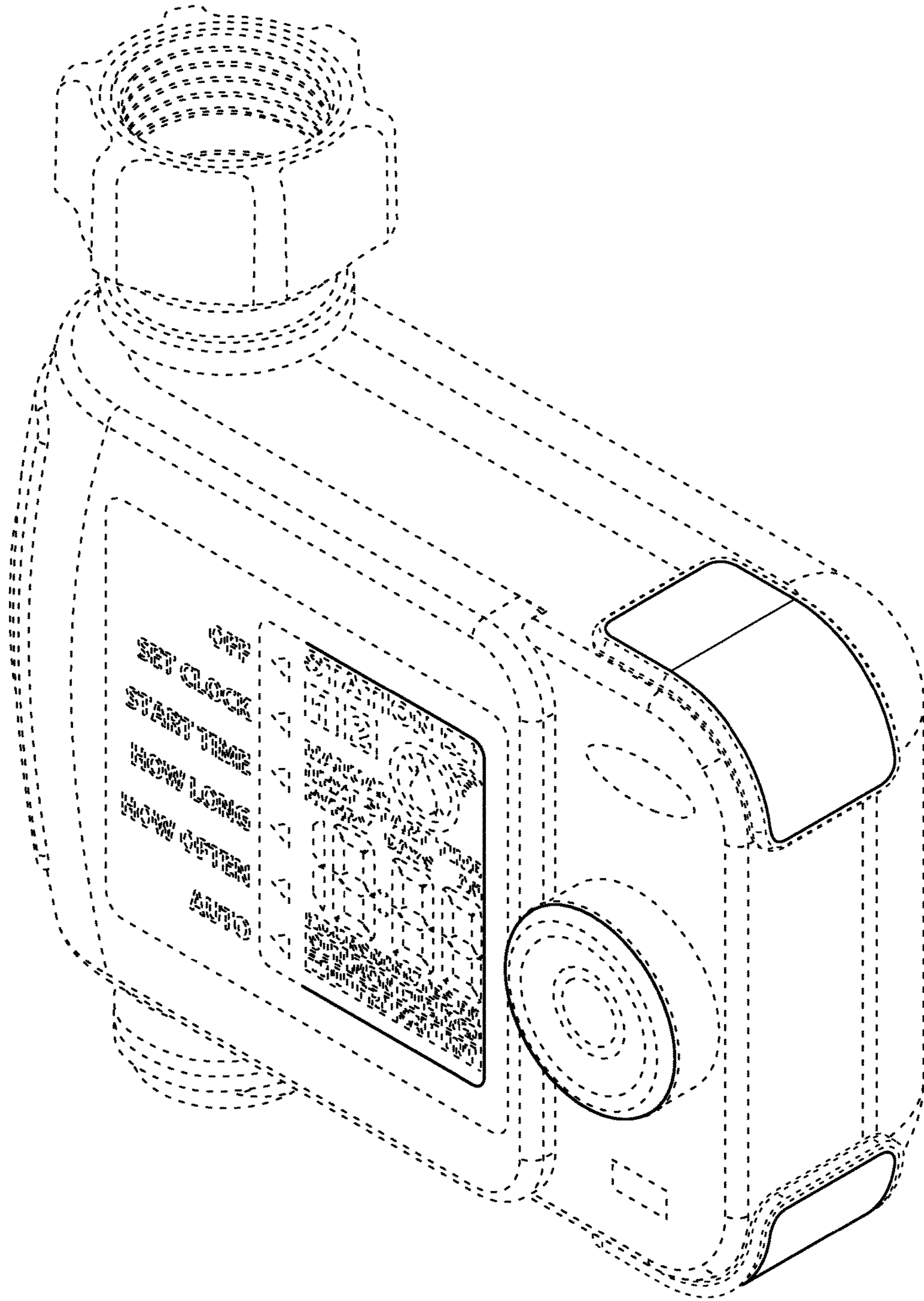


FIG. 11

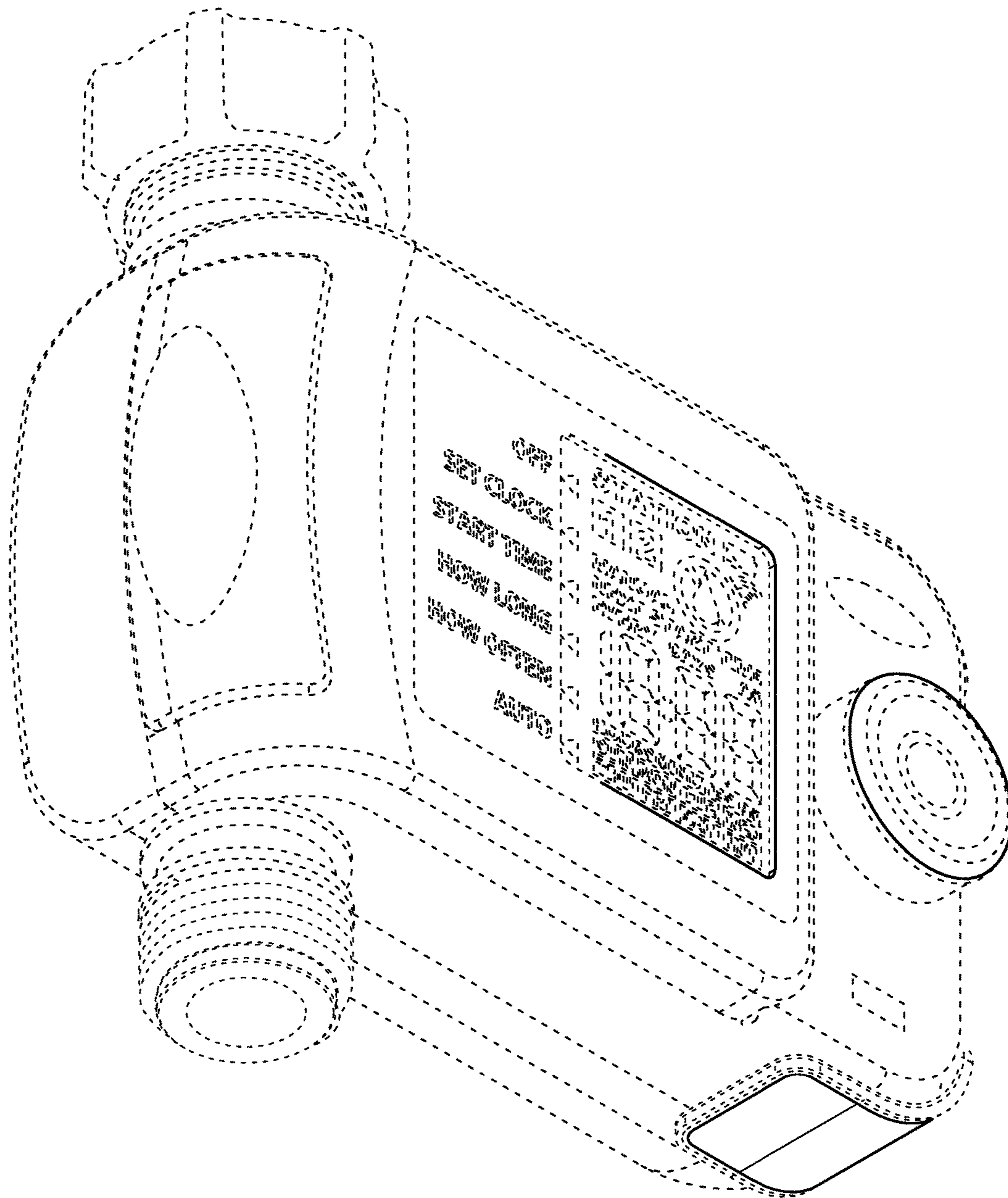


FIG. 12

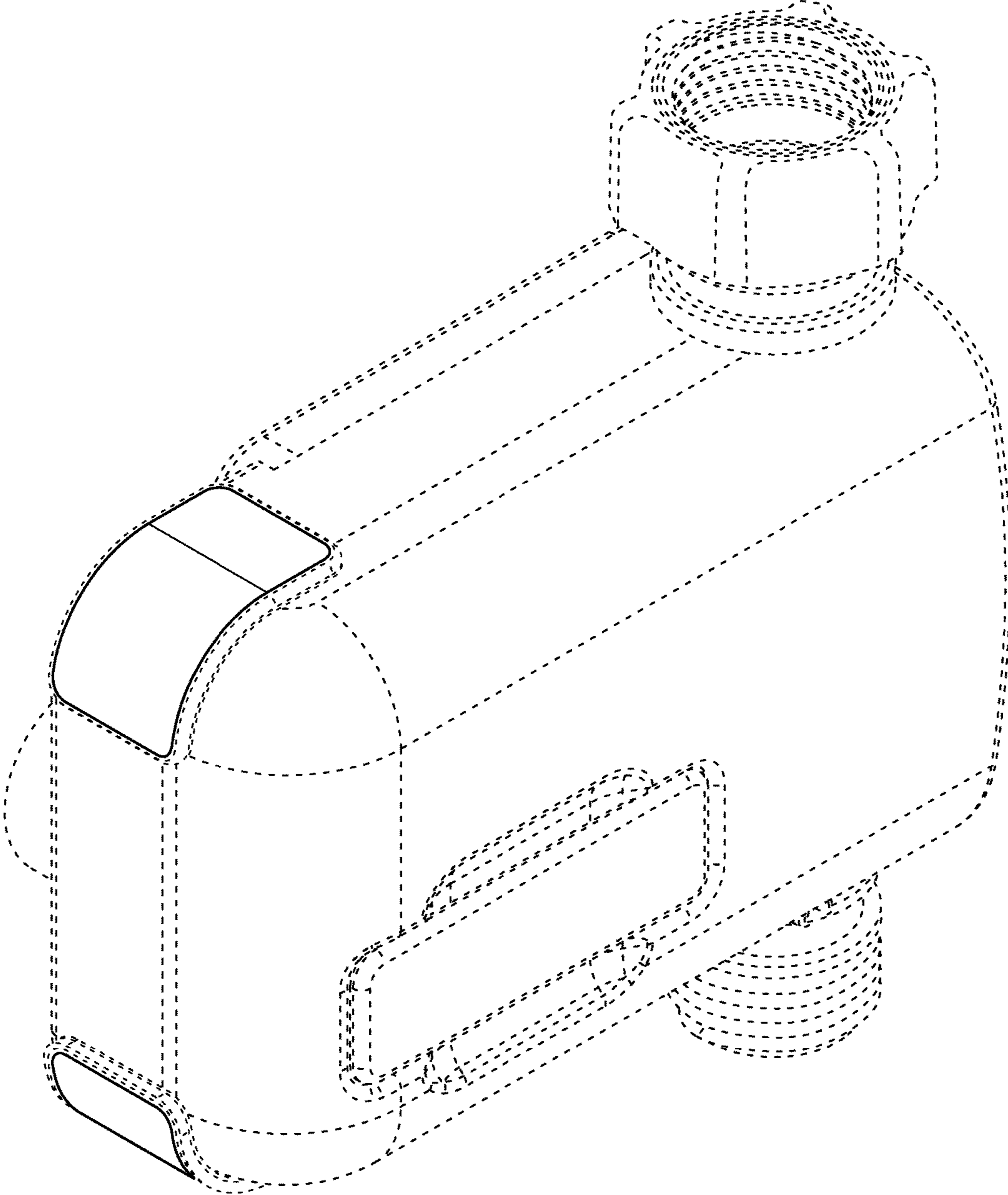


FIG. 13

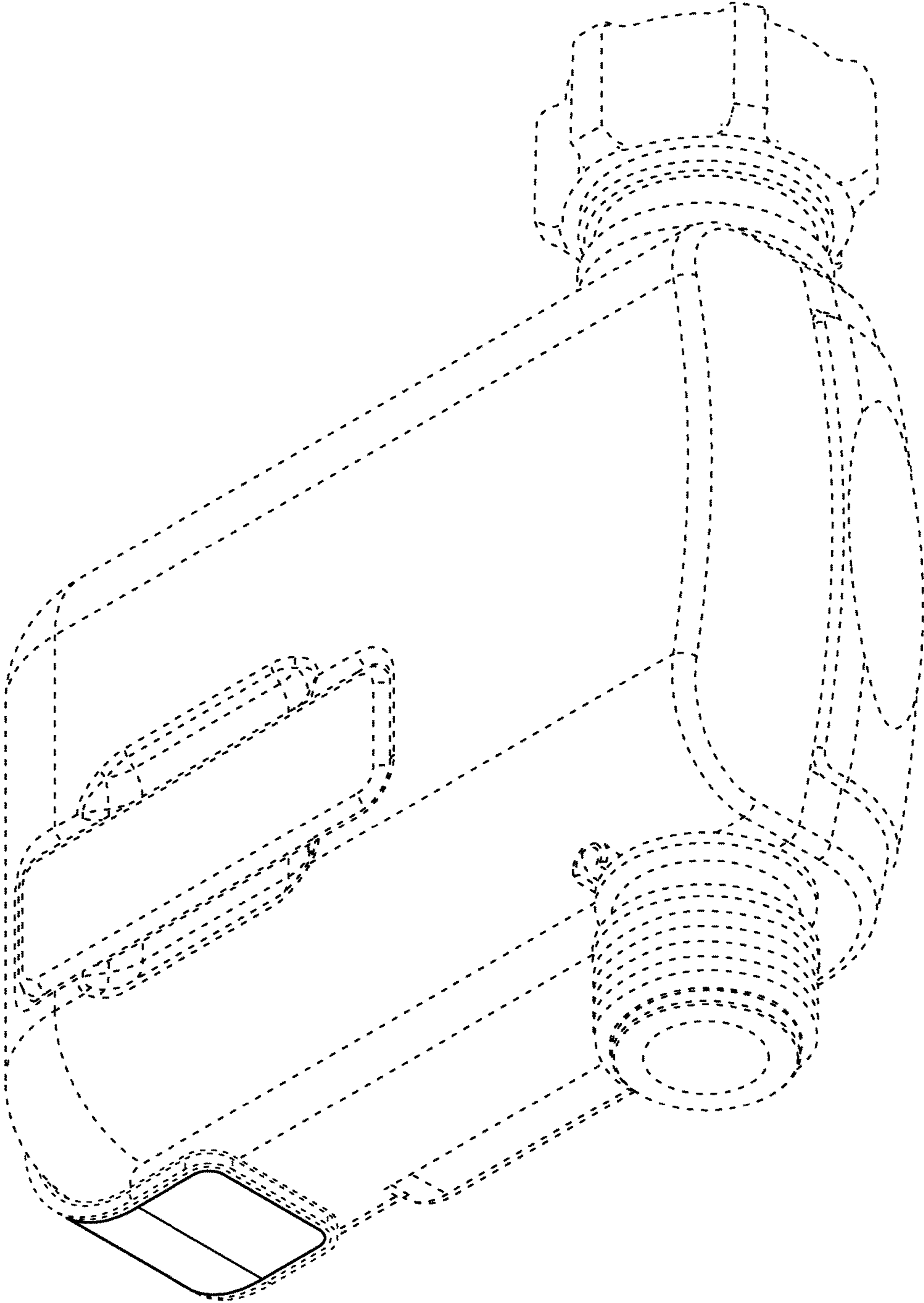


FIG. 14

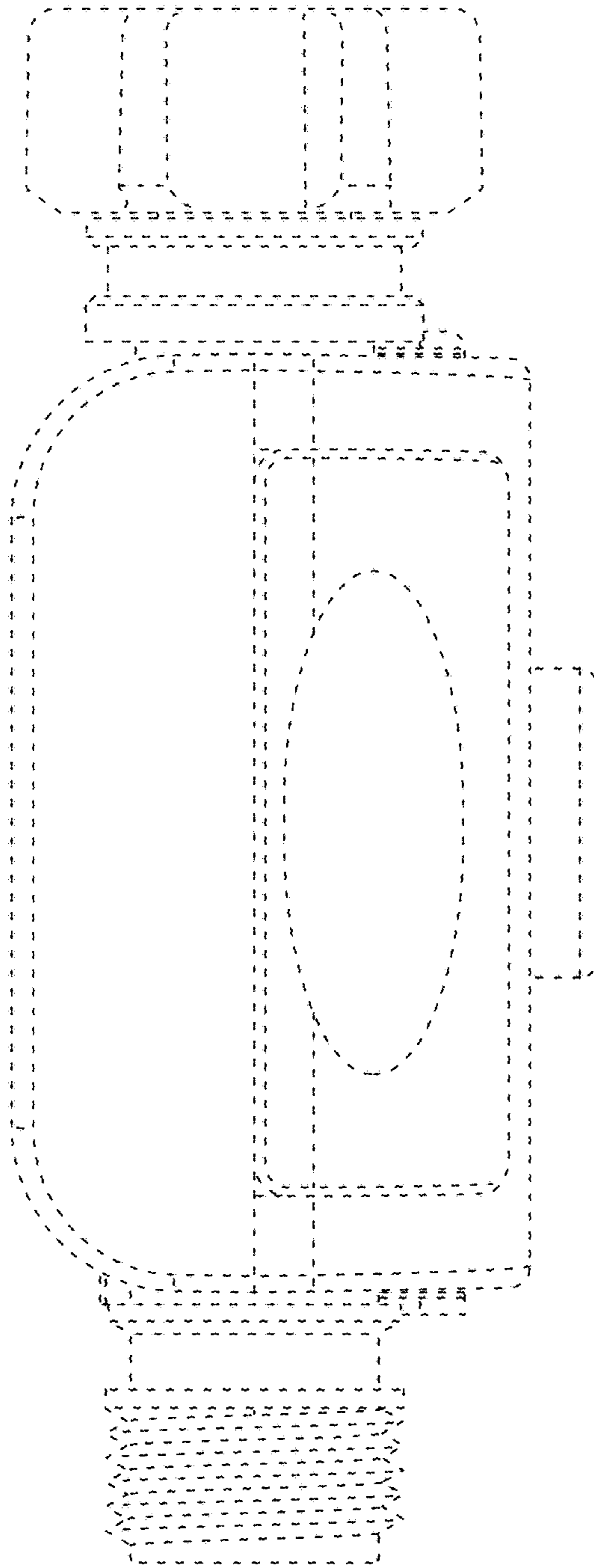


FIG. 15

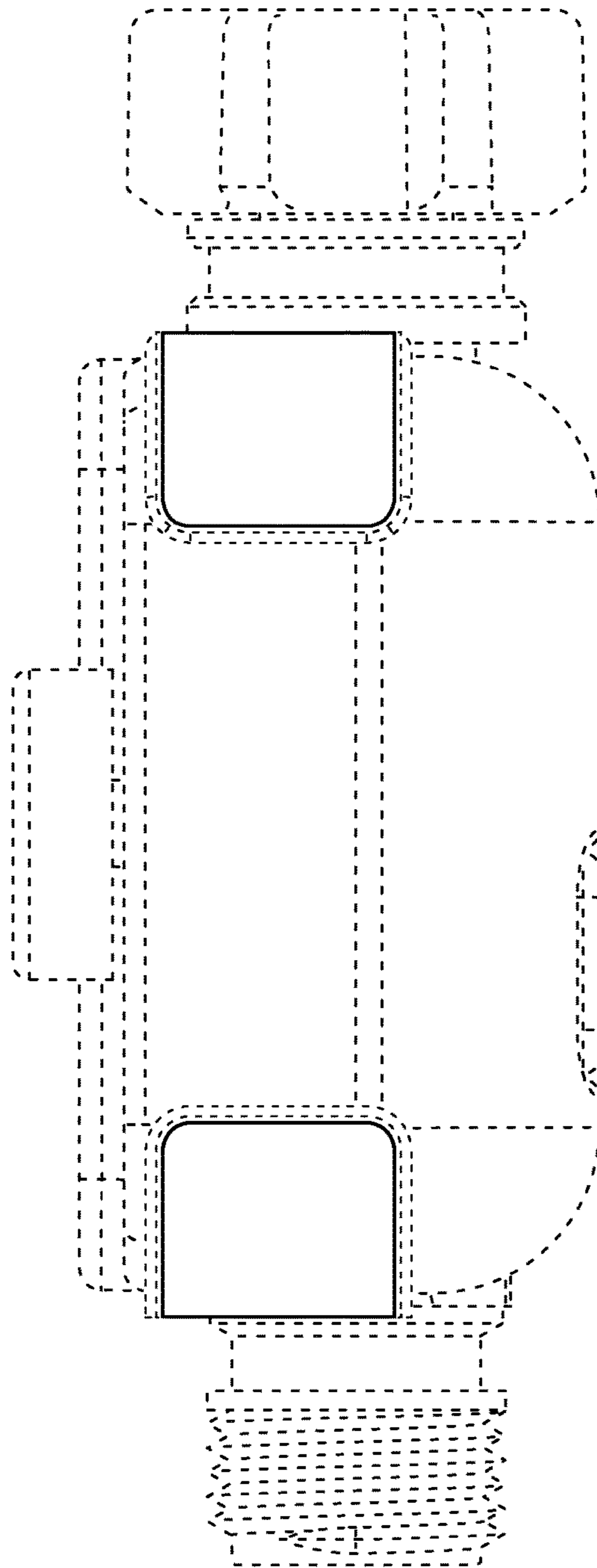


FIG. 16

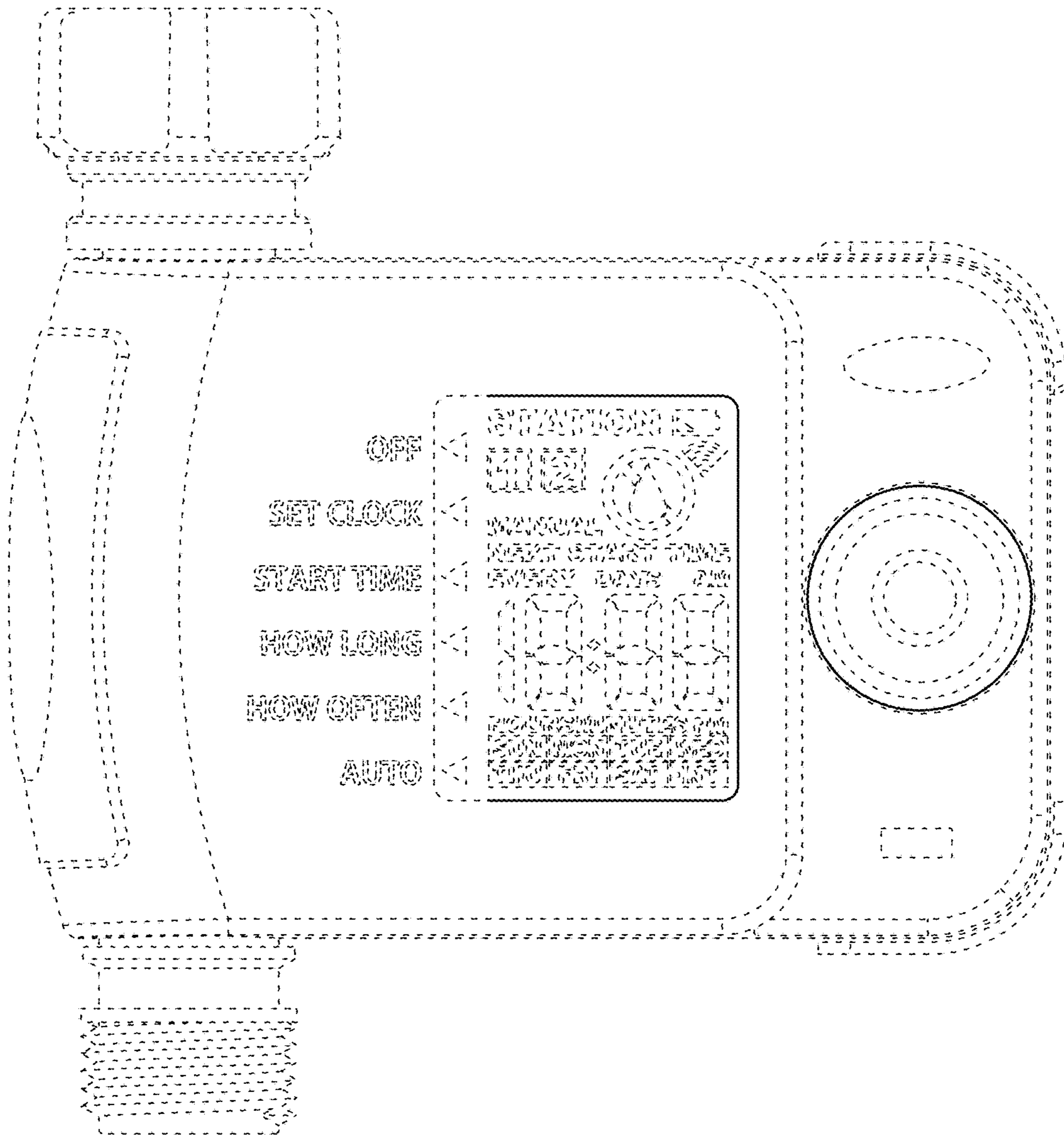


FIG. 17

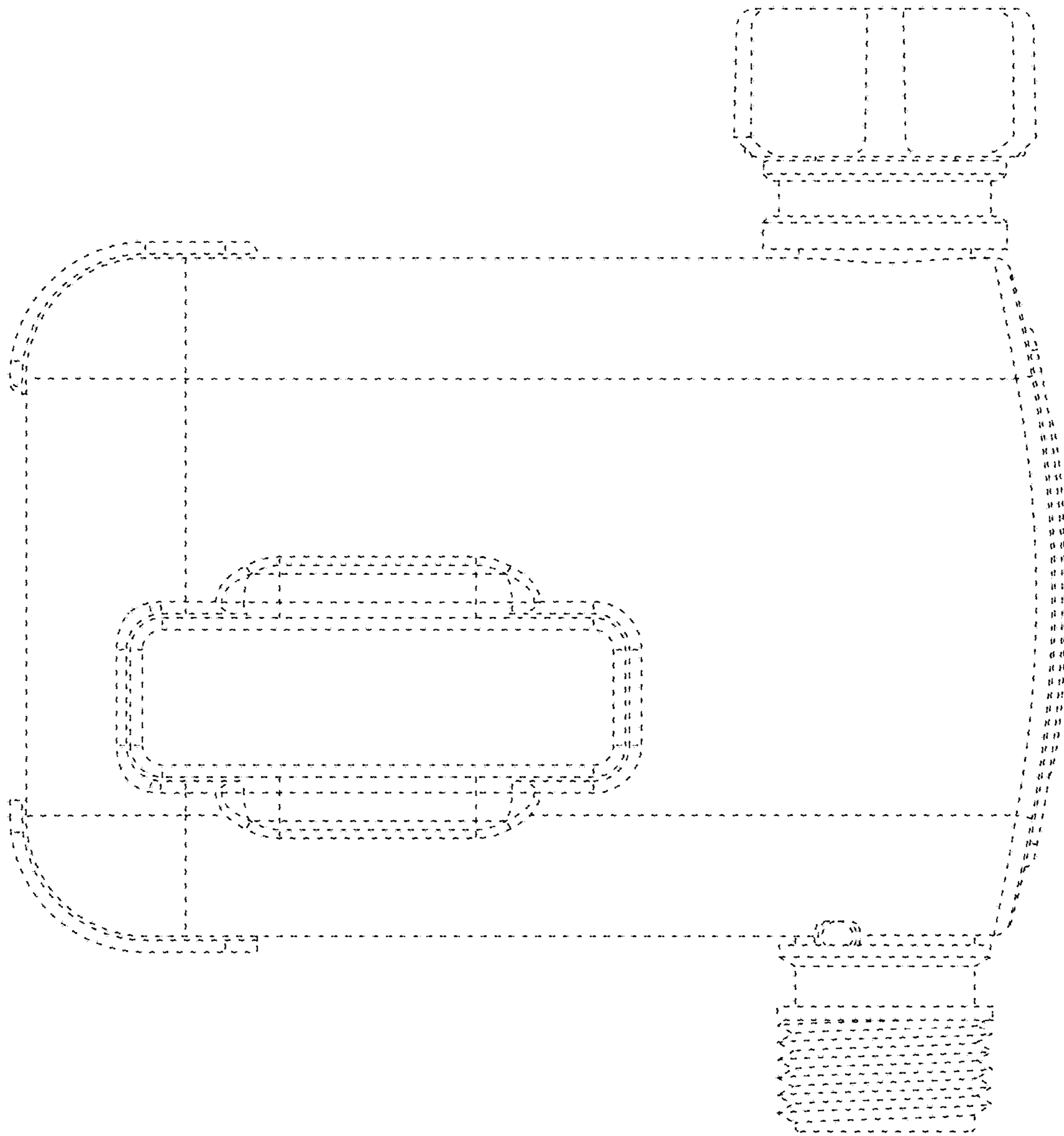


FIG. 18

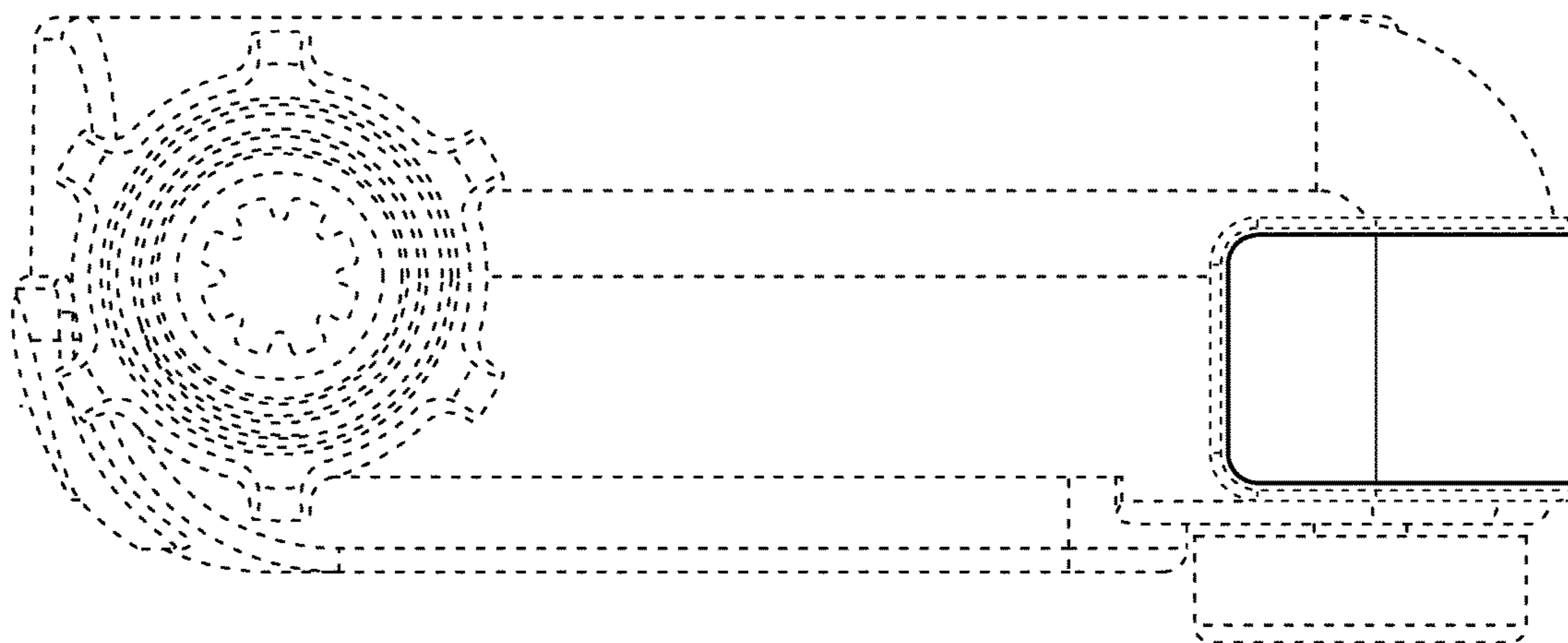


FIG. 19

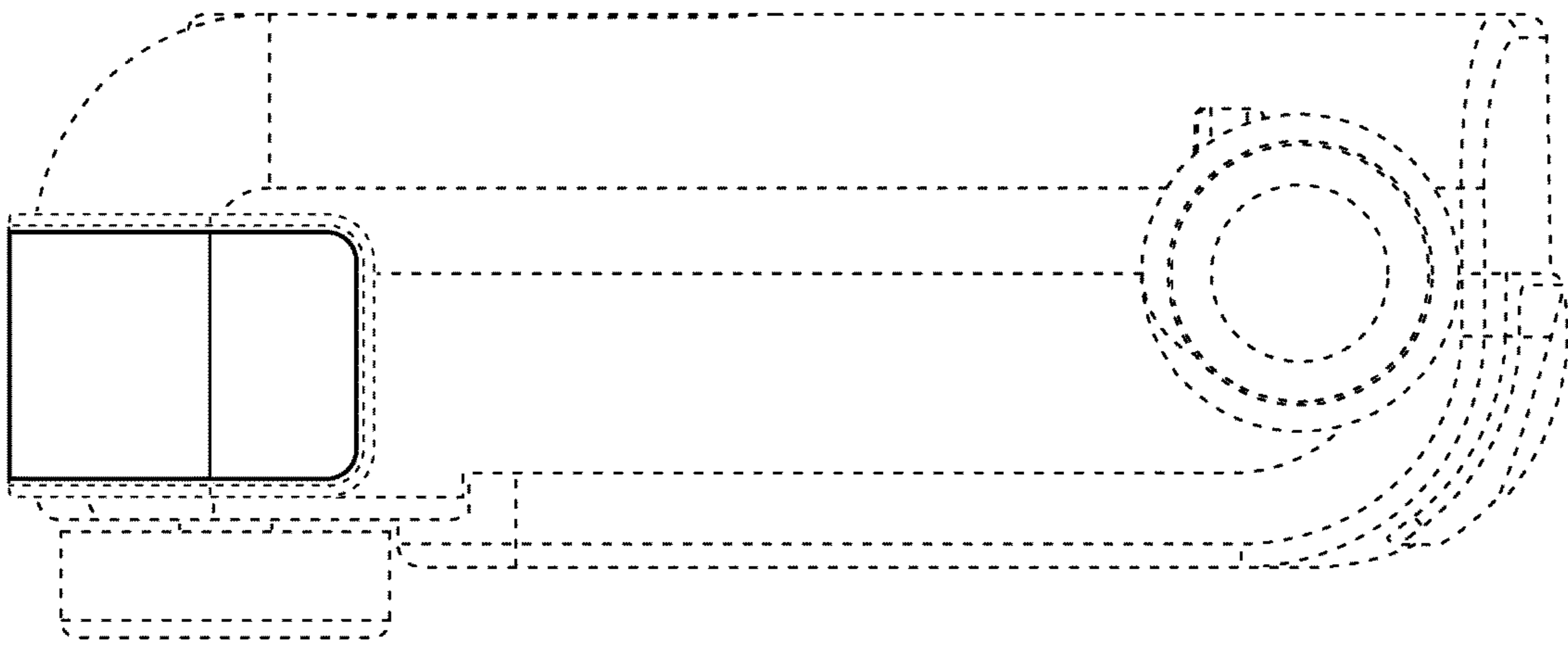


FIG. 20