



US00D858330S

(12) **United States Design Patent**
Huang

(10) **Patent No.:** **US D858,330 S**

(45) **Date of Patent:** **** Sep. 3, 2019**

(54) **PRESSURE GAUGE**

(71) Applicant: **Yu-Ting Huang**, Taichung (TW)

(72) Inventor: **Yu-Ting Huang**, Taichung (TW)

(**) Term: **15 Years**

(21) Appl. No.: **29/643,302**

(22) Filed: **Apr. 6, 2018**

(51) **LOC (12) Cl.** **10-04**

(52) **U.S. Cl.**
USPC **D10/86**

(58) **Field of Classification Search**
USPC D10/86

CPC G01L 7/043; G01L 7/00-7/24; G01L
13/00-13/06; G01L 15/00; G01L
17/00-17/005; G01L 19/00-19/16; G01L
23/00-23/32; G01L 27/00-23/02; B60C
11/243; B60C 23/02-23/0498; B60C
23/0408; B60C 23/0494; G01M 17/02;
G05D 16/00-16/2093; G05D
7/00-7/0694; G05D 11/00-11/16; G05D
13/00-13/66; G05D 23/00-23/32

See application file for complete search history.

(56) **References Cited**

U.S. PATENT DOCUMENTS

4,124,931 A * 11/1978 Miele, Jr. G01L 7/043
29/407.05

D427,093 S * 6/2000 Wu D10/86
D553,033 S * 10/2007 Stowers D10/86

* cited by examiner

Primary Examiner — Antoine Duval Davis

(74) *Attorney, Agent, or Firm* — Muncy, Geissler, Olds & Lowe, P.C.

(57) **CLAIM**

The ornamental design for a pressure gauge, as shown and described.

DESCRIPTION

FIG. 1 is a perspective view of a pressure gauge showing my new design;

FIG. 2 is a front elevational view thereof;

FIG. 3 is a rear elevational view thereof;

FIG. 4 is a left side elevational view thereof;

FIG. 5 is a right side elevational view thereof;

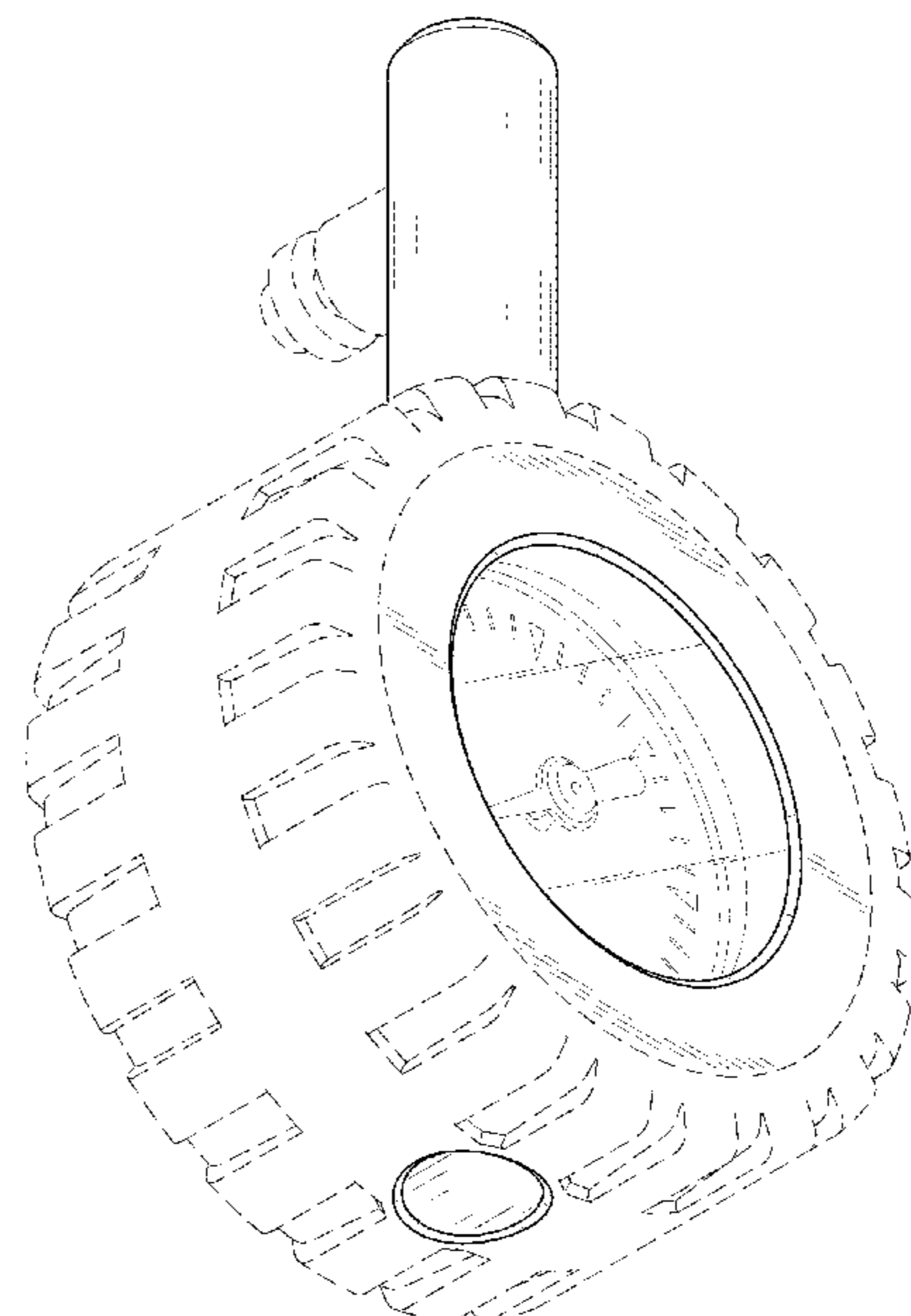
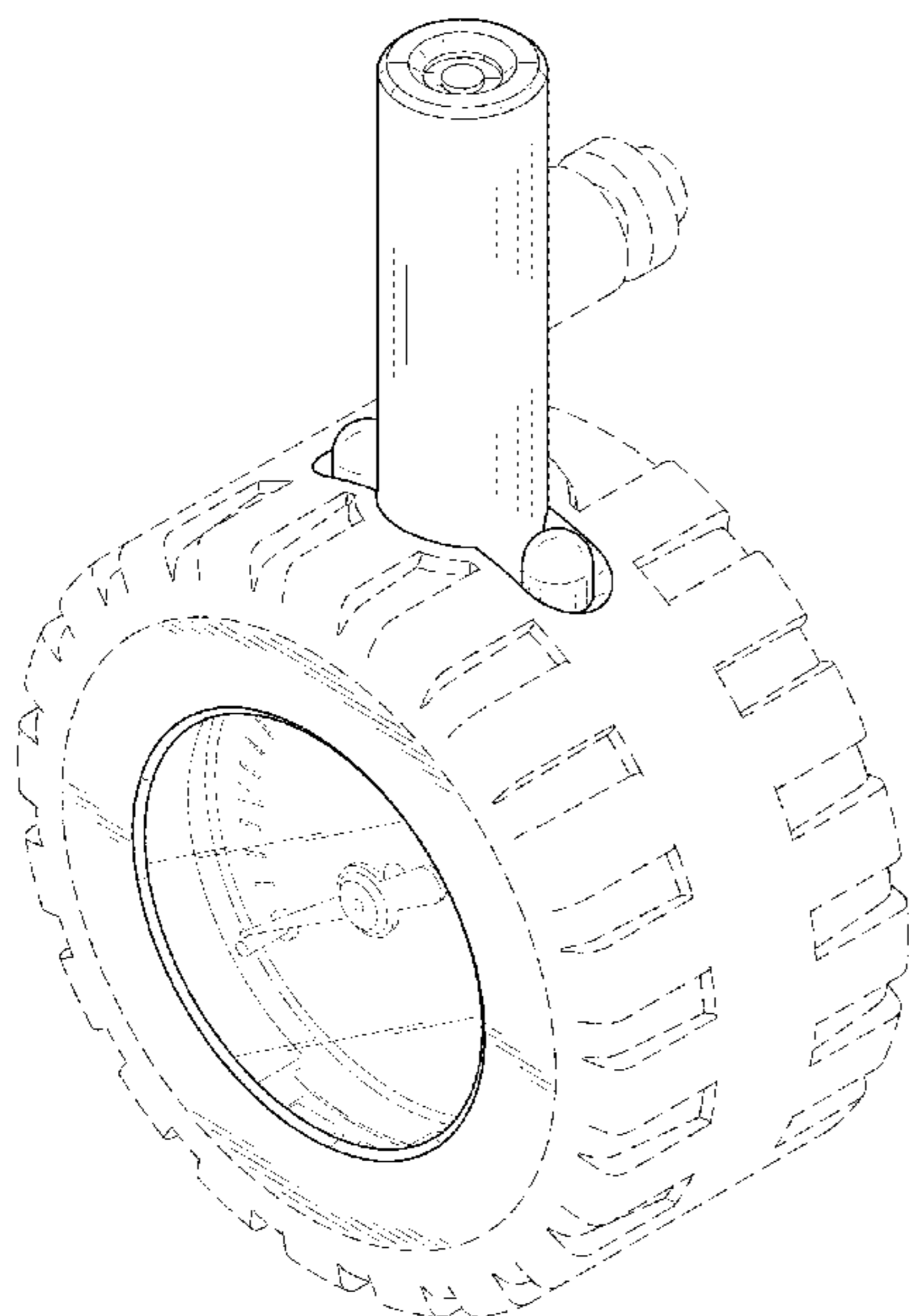
FIG. 6 is a top plan view thereof;

FIG. 7 is a bottom plan view thereof; and,

FIG. 8 is another perspective view thereof.

The broken line showing of structural features is included for the purpose of illustrating claimed subject matter and forms no part of the claimed design.

1 Claim, 7 Drawing Sheets



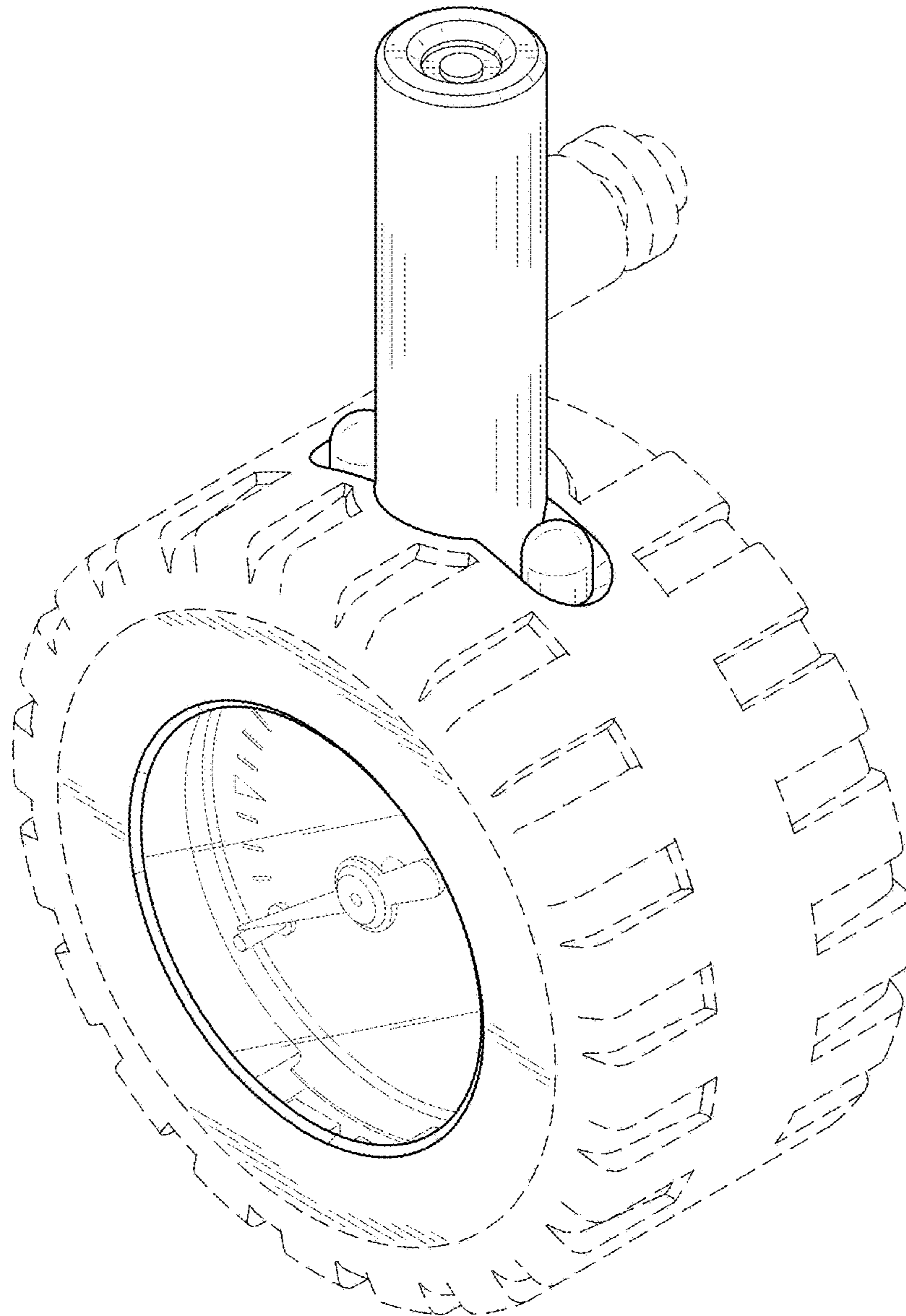


FIG. 1

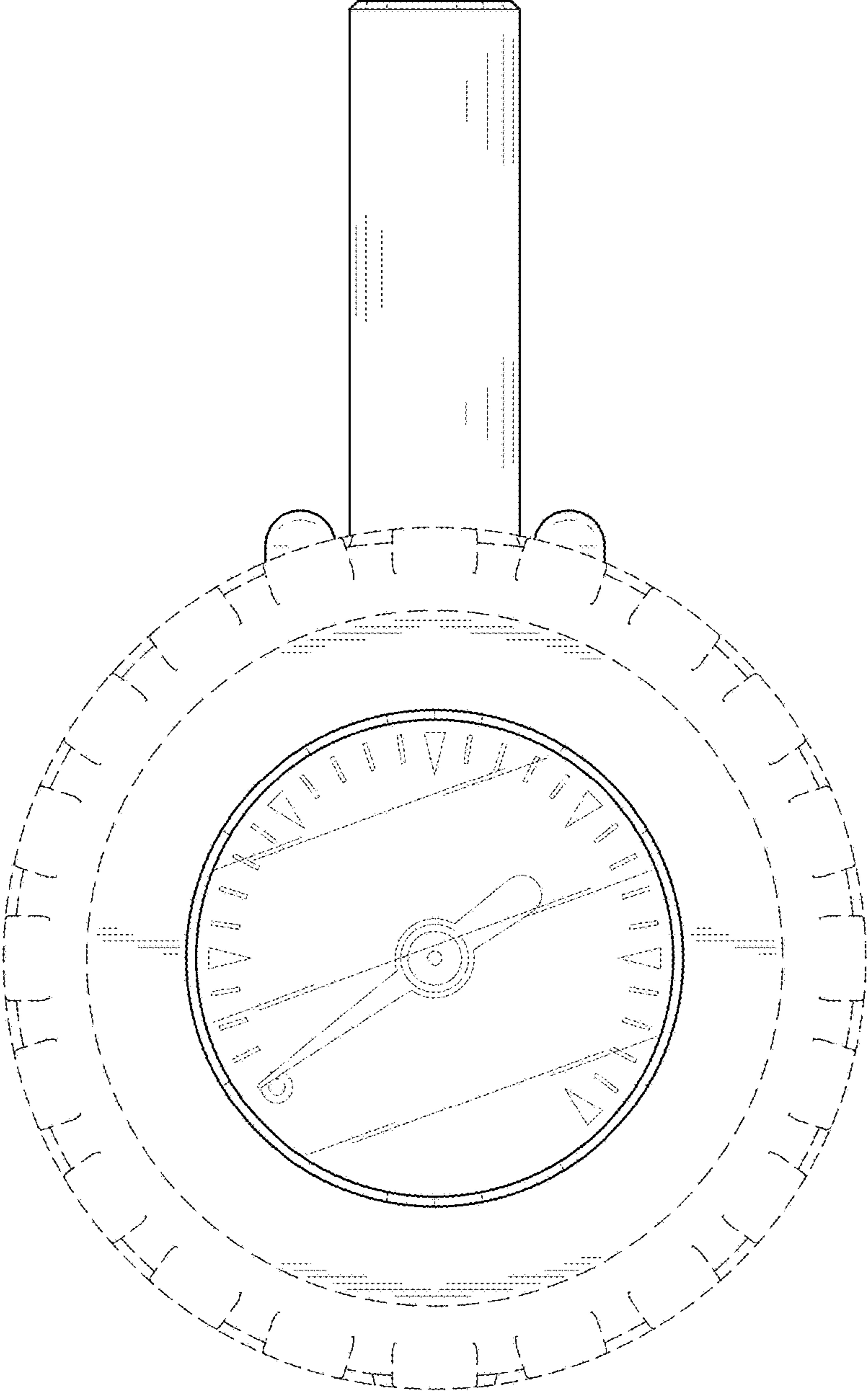


FIG. 2

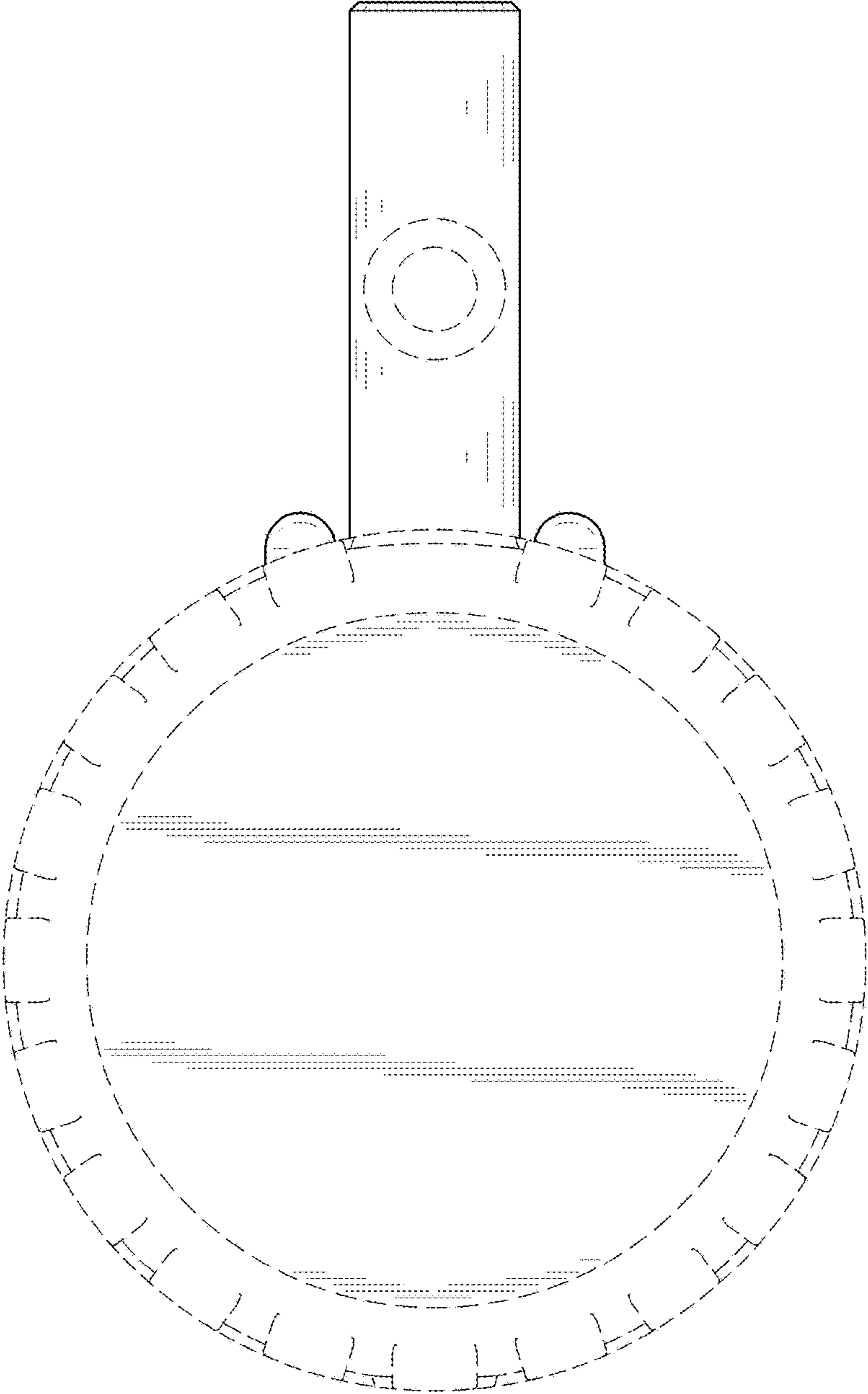


FIG. 3

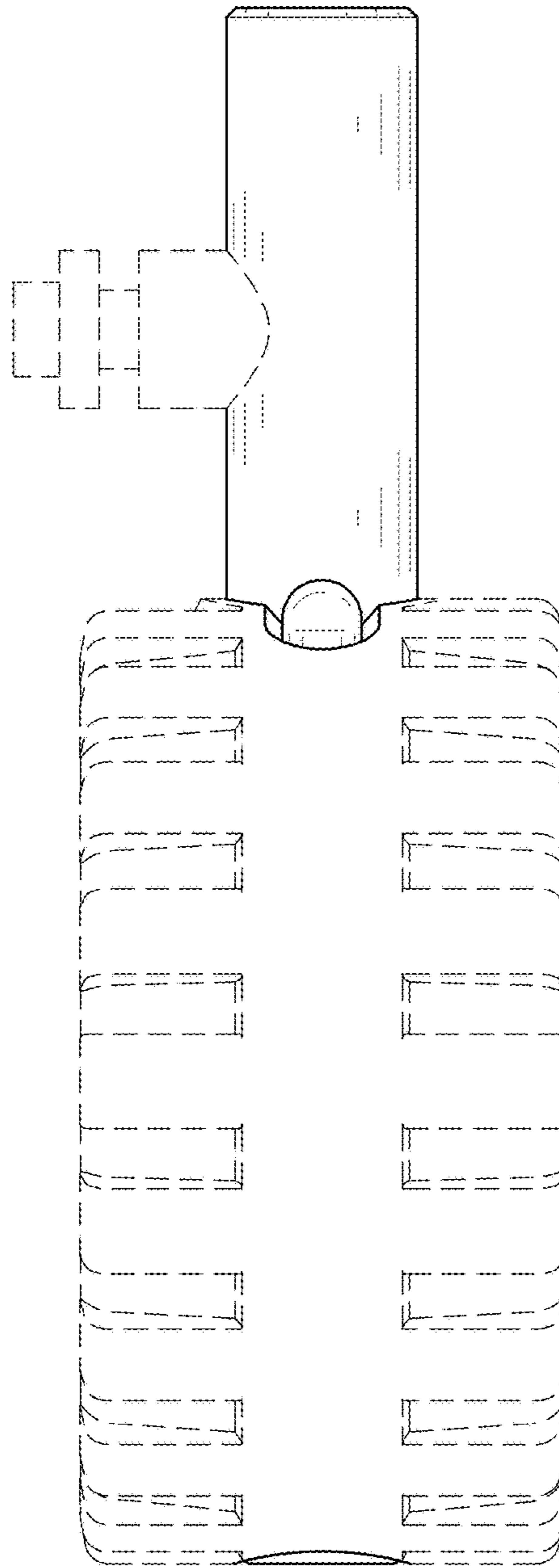


FIG. 4

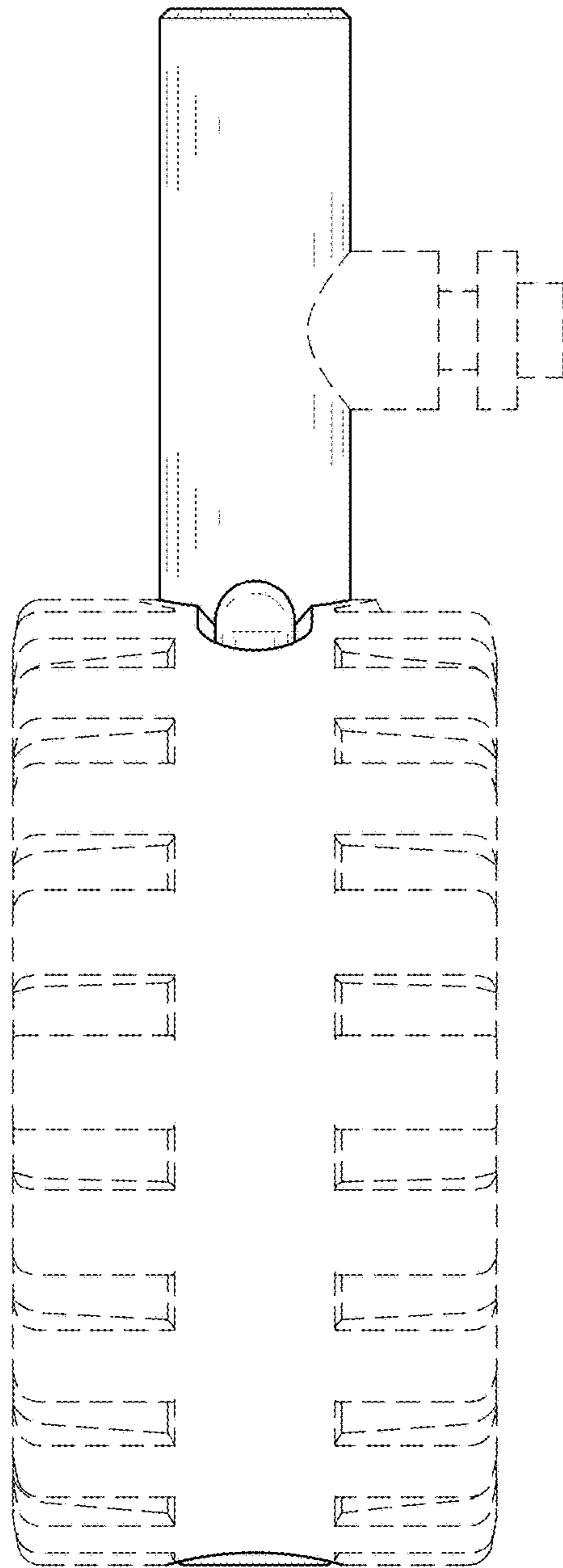


FIG. 5

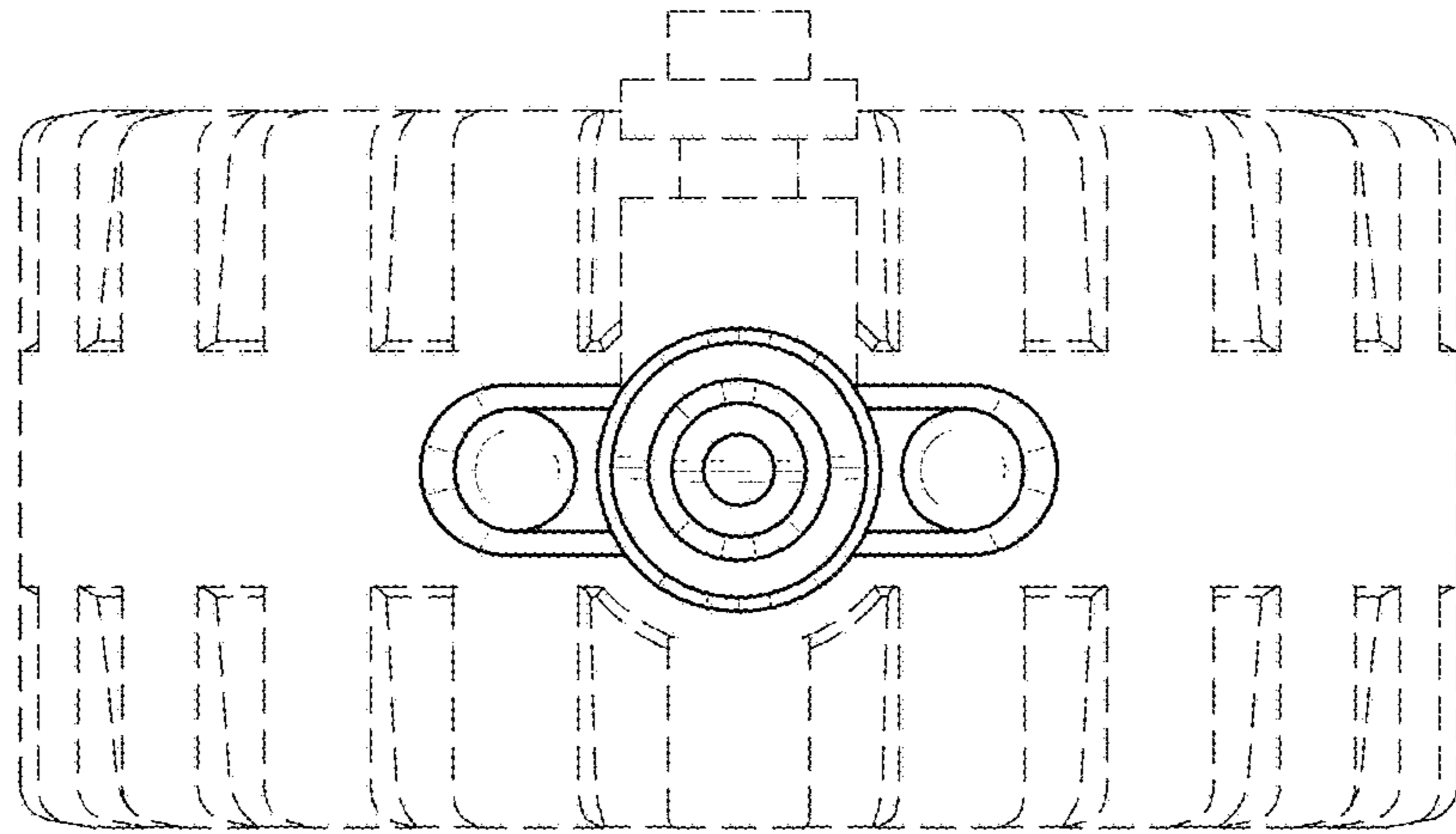


FIG. 6

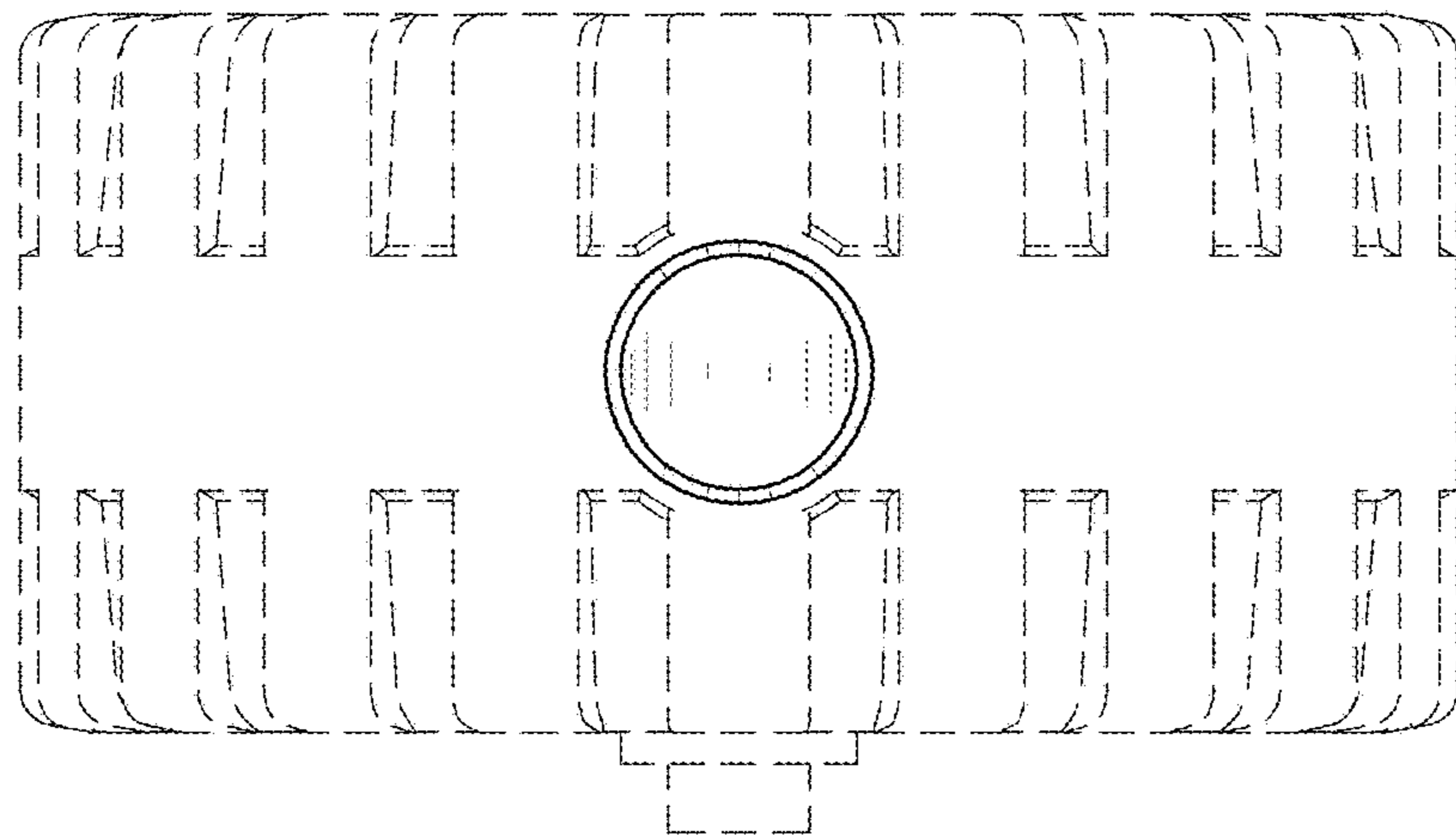


FIG. 7

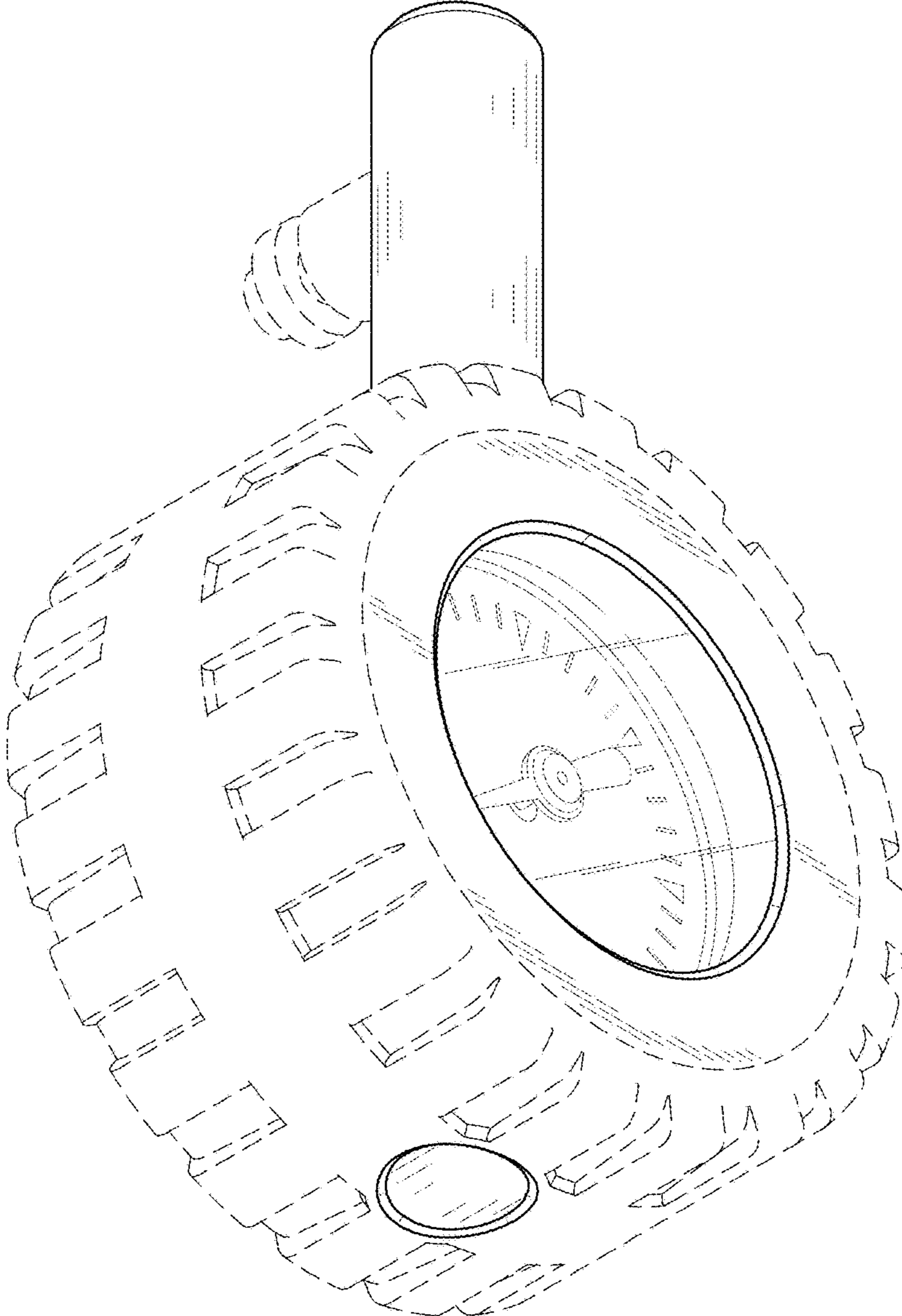


FIG. 8